



US00D621488S

(12) **United States Design Patent**  
**Bucher**

(10) **Patent No.:** **US D621,488 S**

(45) **Date of Patent:** **\*\* Aug. 10, 2010**

(54) **TWO-PIECE TOILET**

D556,301 S \* 11/2007 Lin et al. .... D23/295

(75) Inventor: **Christophe Bucher**, Hillsborough, NJ  
(US)

\* cited by examiner

*Primary Examiner*—Robert A Delehanty

(74) *Attorney, Agent, or Firm*—Flaster/Greenberg P.C.

(73) Assignee: **AS IP Holdco, L.L.C.**, Piscataway, NJ  
(US)

(57) **CLAIM**

(\*\*) Term: **14 Years**

The ornamental design for a two-piece toilet, as shown and described.

(21) Appl. No.: **29/350,332**

**DESCRIPTION**

(22) Filed: **Nov. 13, 2009**

FIG. 1 is a perspective view of a two-piece toilet;  
FIG. 2 is a top view of the two-piece toilet of FIG. 1;  
FIG. 3 is a front view of the two-piece toilet of FIG. 1;  
FIG. 4 is a bottom plan view of the two-piece toilet of FIG. 1;  
FIG. 5 is a rear view of the two-piece toilet of FIG. 1;  
FIG. 6 is a right side view of the two-piece toilet of FIG. 1;  
and,  
FIG. 7 is a left side view of the two-piece toilet of FIG. 1.

(51) **LOC (9) Cl.** ..... **23-02**

(52) **U.S. Cl.** ..... **D23/301**

(58) **Field of Classification Search** ..... D23/273–274,  
D23/295, 301, 303, 309, 313; 4/300, 329,  
4/353, 420

See application file for complete search history.

The broken lines showing of portions of the toilet are included for the purpose of illustrating the toilet and form no part of the claimed design.

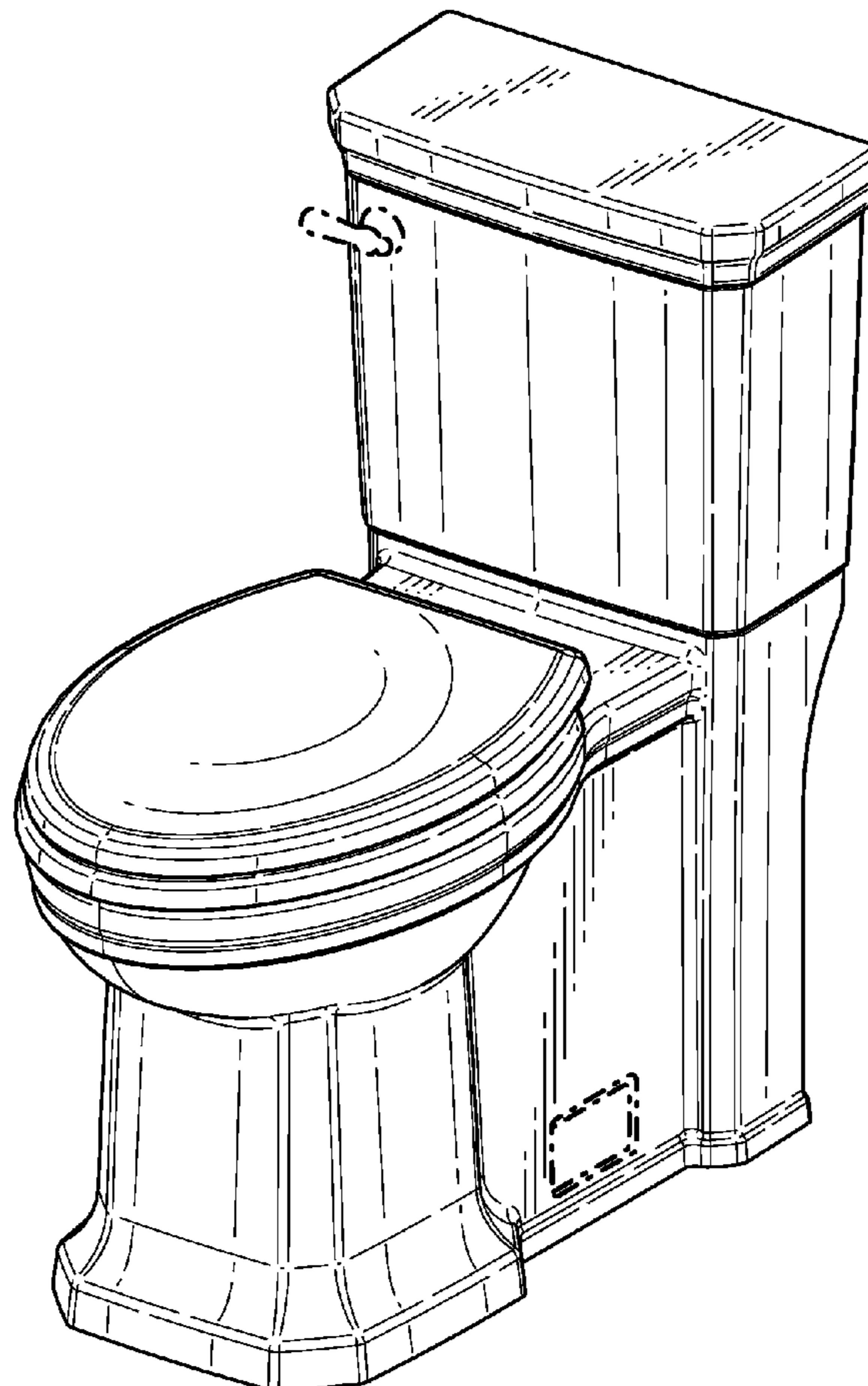
(56) **References Cited**

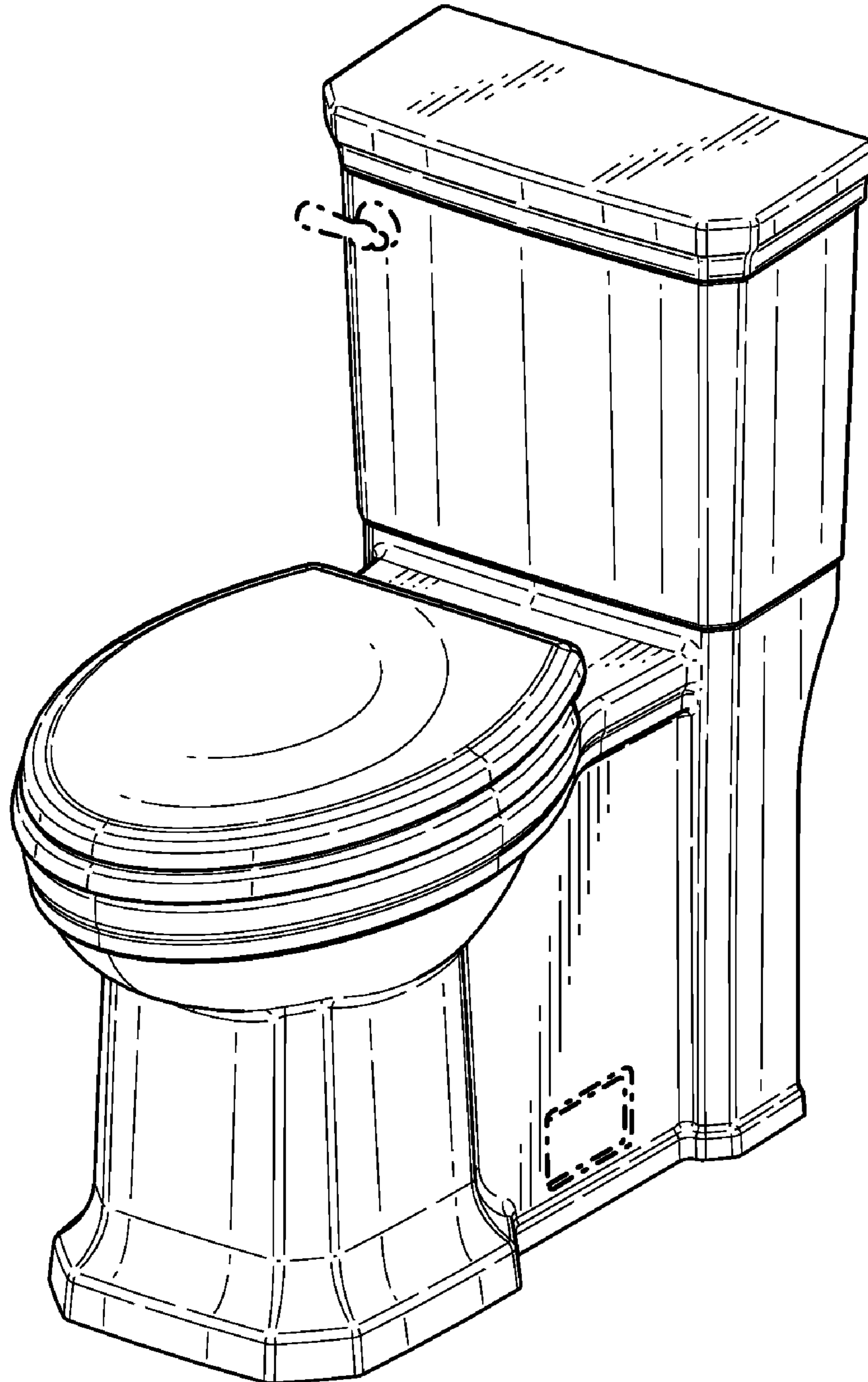
**U.S. PATENT DOCUMENTS**

D451,175 S \* 11/2001 Smith ..... D23/301

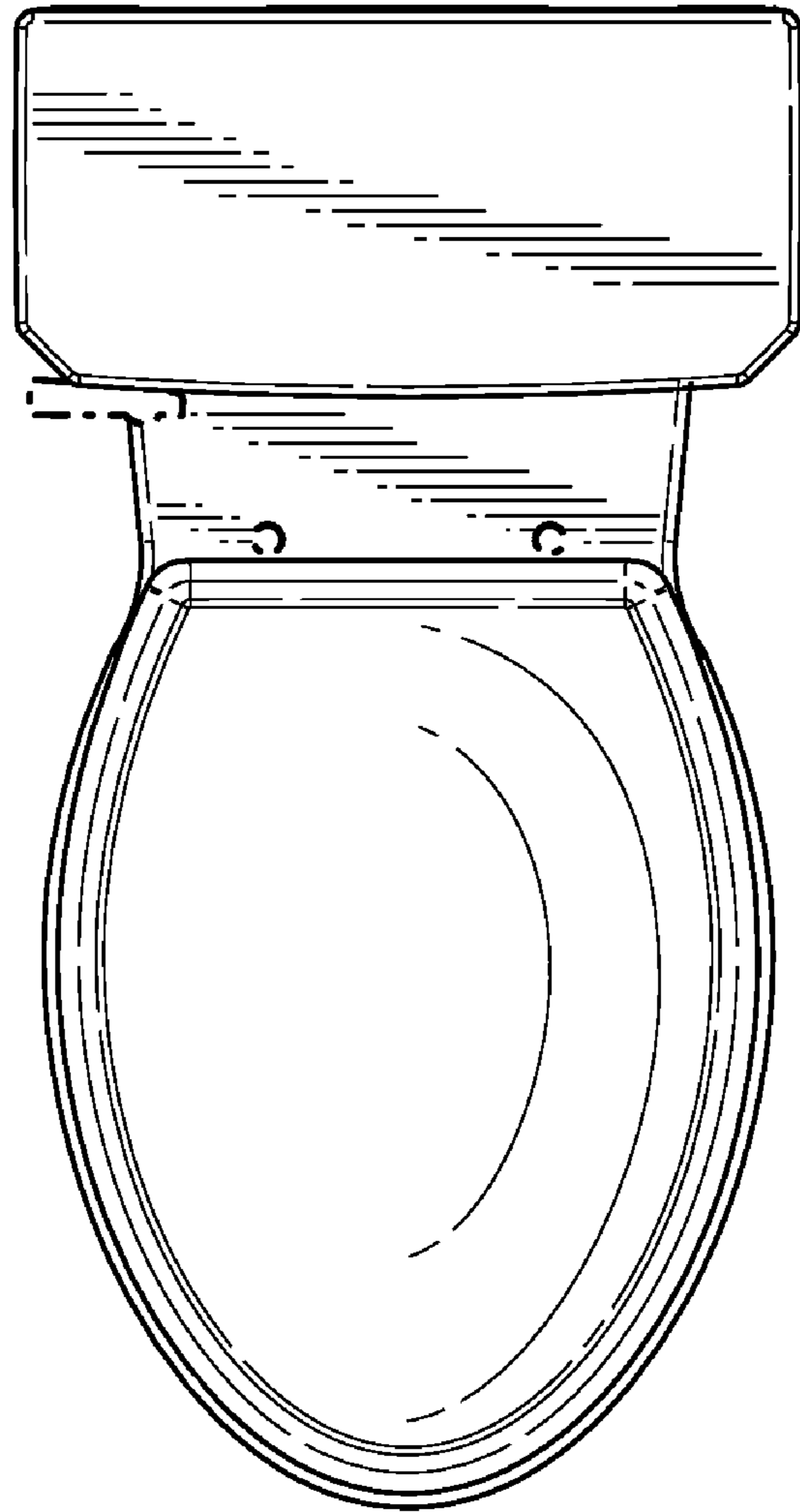
D455,822 S \* 4/2002 McKeone ..... D23/301

**1 Claim, 7 Drawing Sheets**

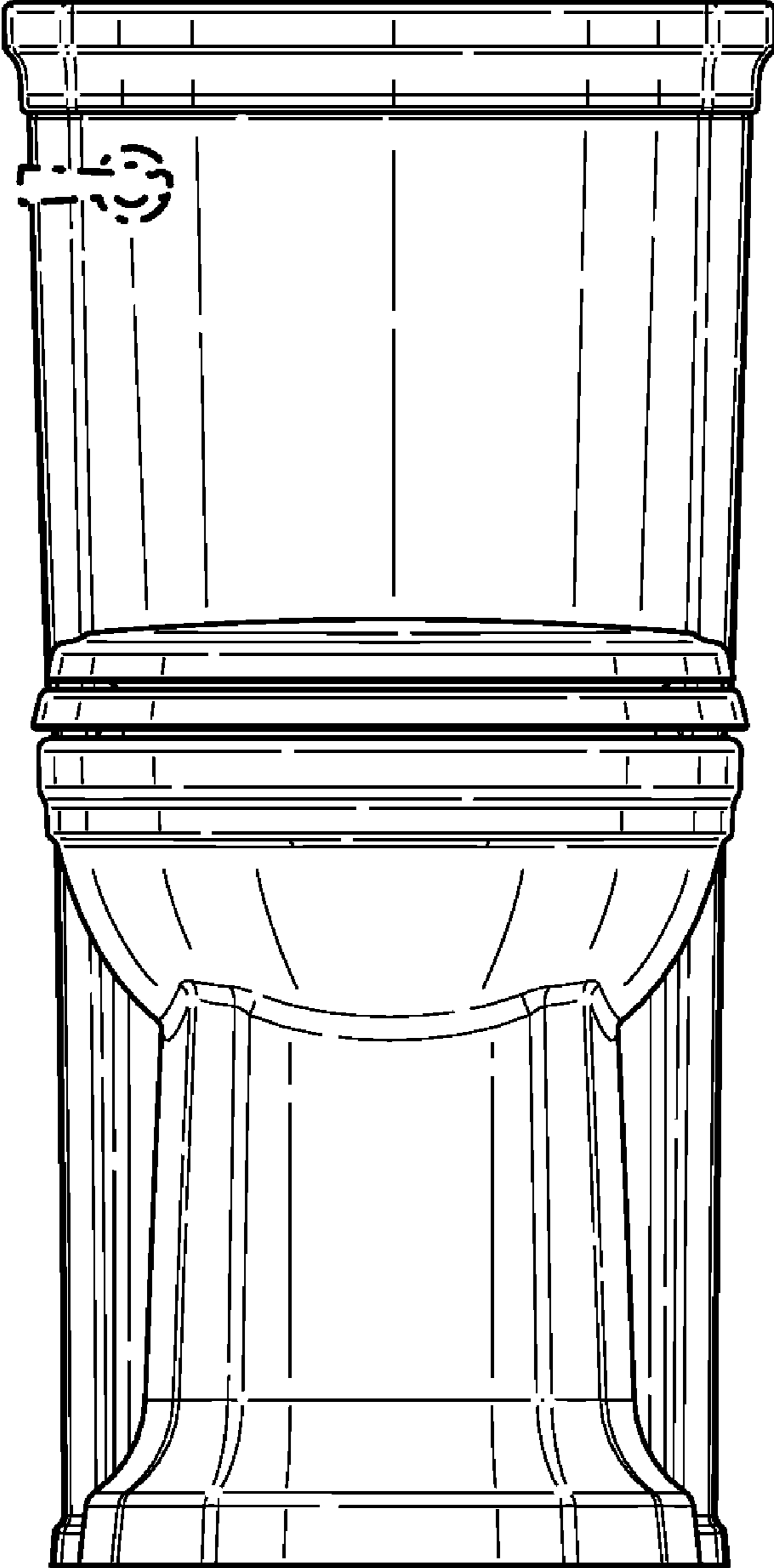




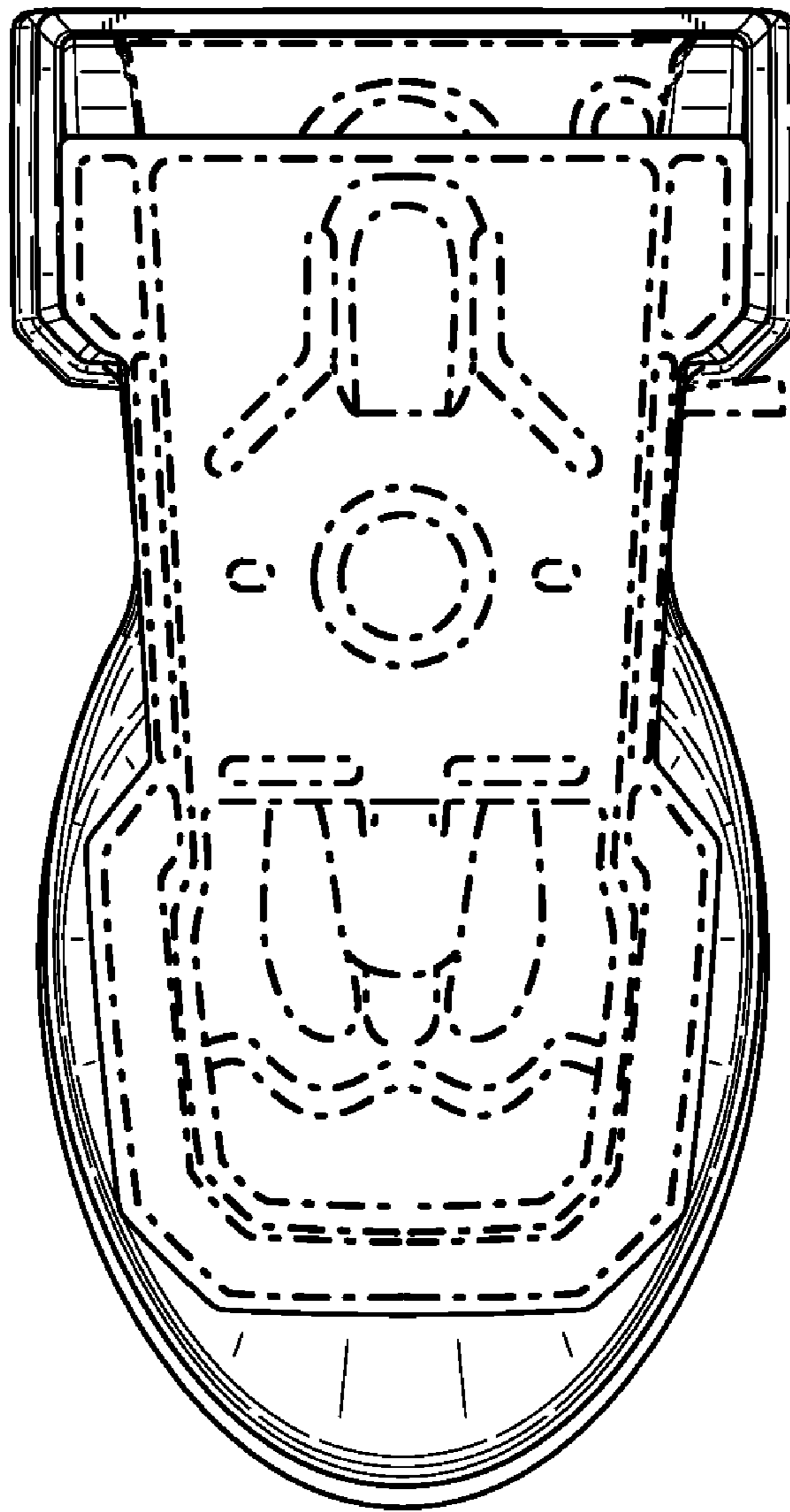
***FIG. 1***



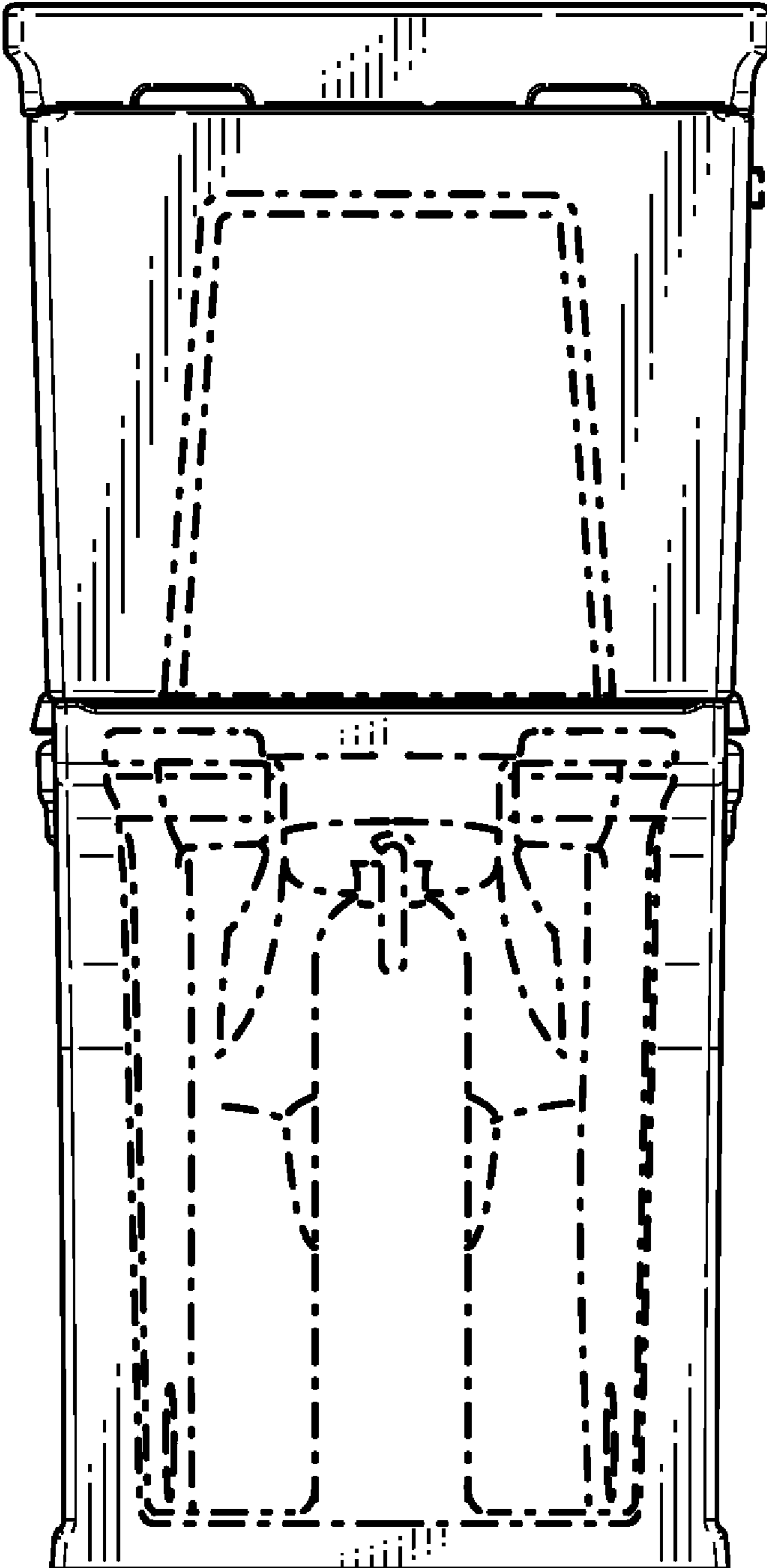
**FIG. 2**



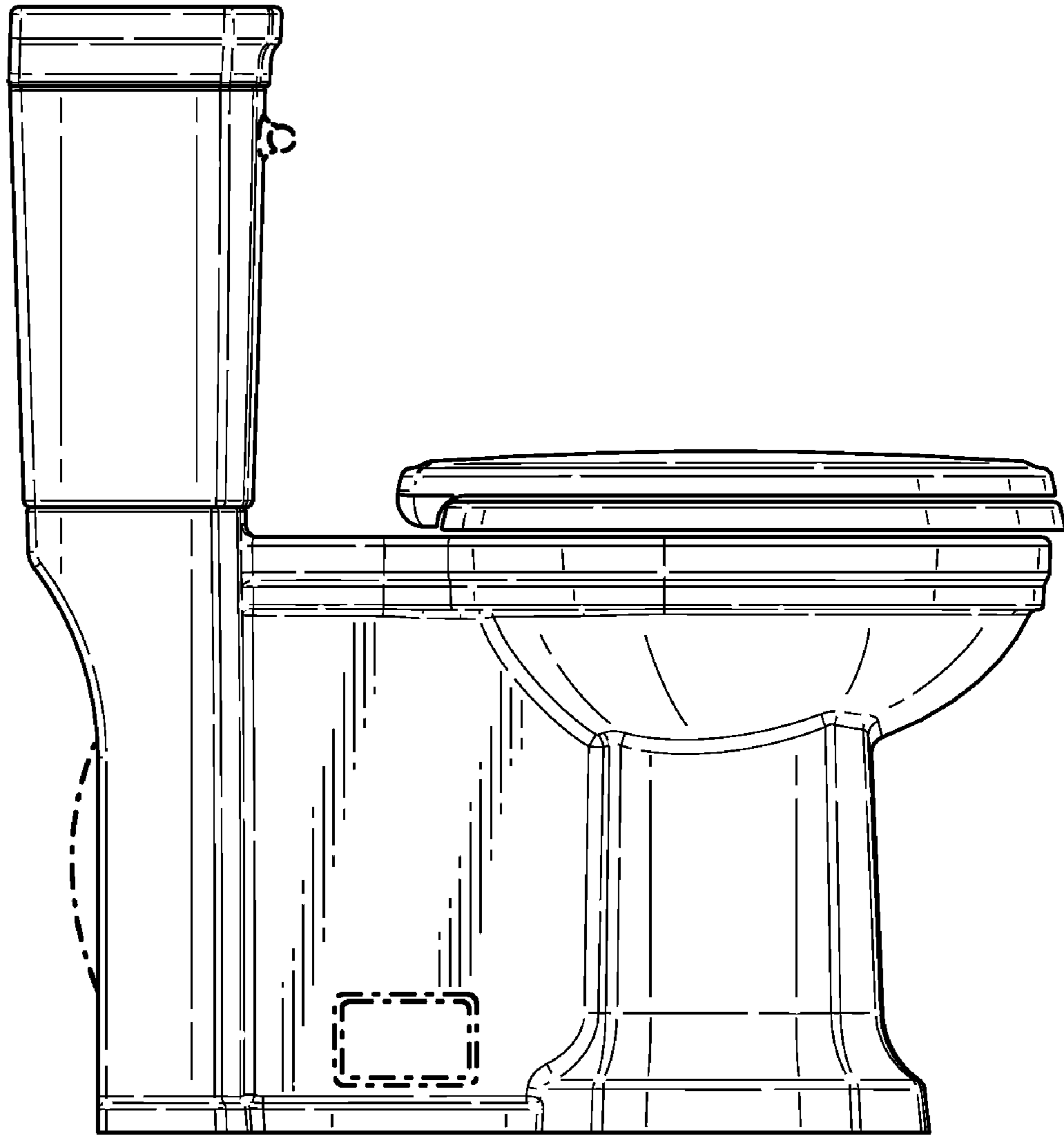
**FIG. 3**



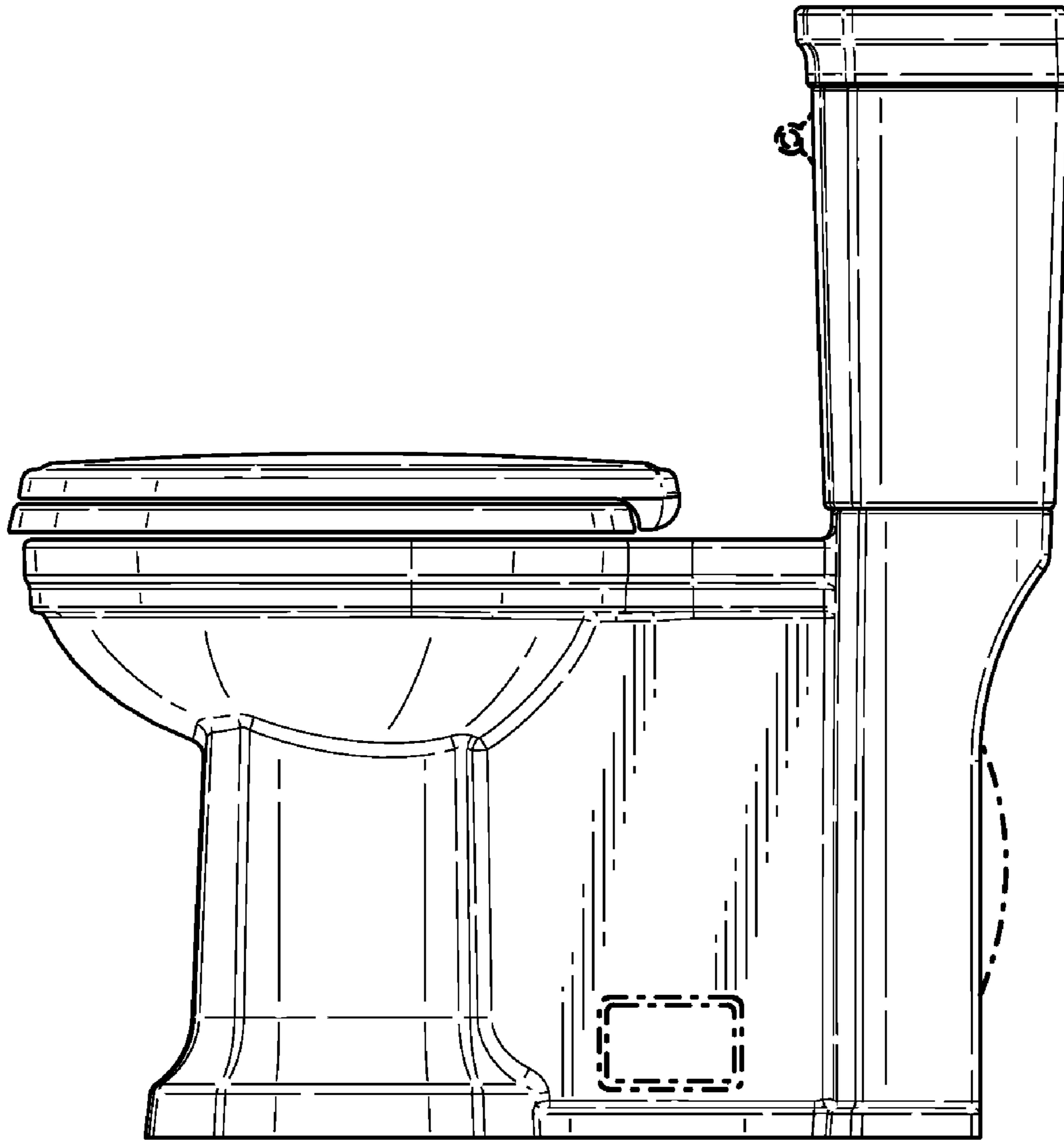
**FIG. 4**



***FIG. 5***



**FIG. 6**



**FIG. 7**