



US00D621487S

(12) **United States Design Patent**
Toyohara

(10) **Patent No.:** **US D621,487 S**

(45) **Date of Patent:** **** Aug. 10, 2010**

(54) **WATER CLOSET**

(75) Inventor: **Atsushi Toyohara**, Fukuoka (JP)

(73) Assignee: **Toto, Ltd.**, Kitakyushu-Shi (JP)

(**) Term: **14 Years**

(21) Appl. No.: **29/342,220**

(22) Filed: **Aug. 20, 2009**

(51) **LOC (9) Cl.** **23-02**

(52) **U.S. Cl.** **D23/300**

(58) **Field of Classification Search** D23/273-274,
D23/295, 301, 303, 309, 313; 4/300, 329,
4/353, 420

See application file for complete search history.

(56) **References Cited**

U.S. PATENT DOCUMENTS

D586,893 S * 2/2009 Cummings et al. D23/295

D606,178 S * 12/2009 Cummings et al. D23/295

* cited by examiner

Primary Examiner—Robert A Delehanty

(74) *Attorney, Agent, or Firm*—Birch, Stewart, Kolasch & Birch

(57) **CLAIM**

The ornamental design for a water closet, as shown and described.

DESCRIPTION

FIG. 1 is a perspective view of the top, front and right side of a water closet showing my new design;

FIG. 2 is a front view thereof;

FIG. 3 is a rear view thereof;

FIG. 4 is a left side view thereof;

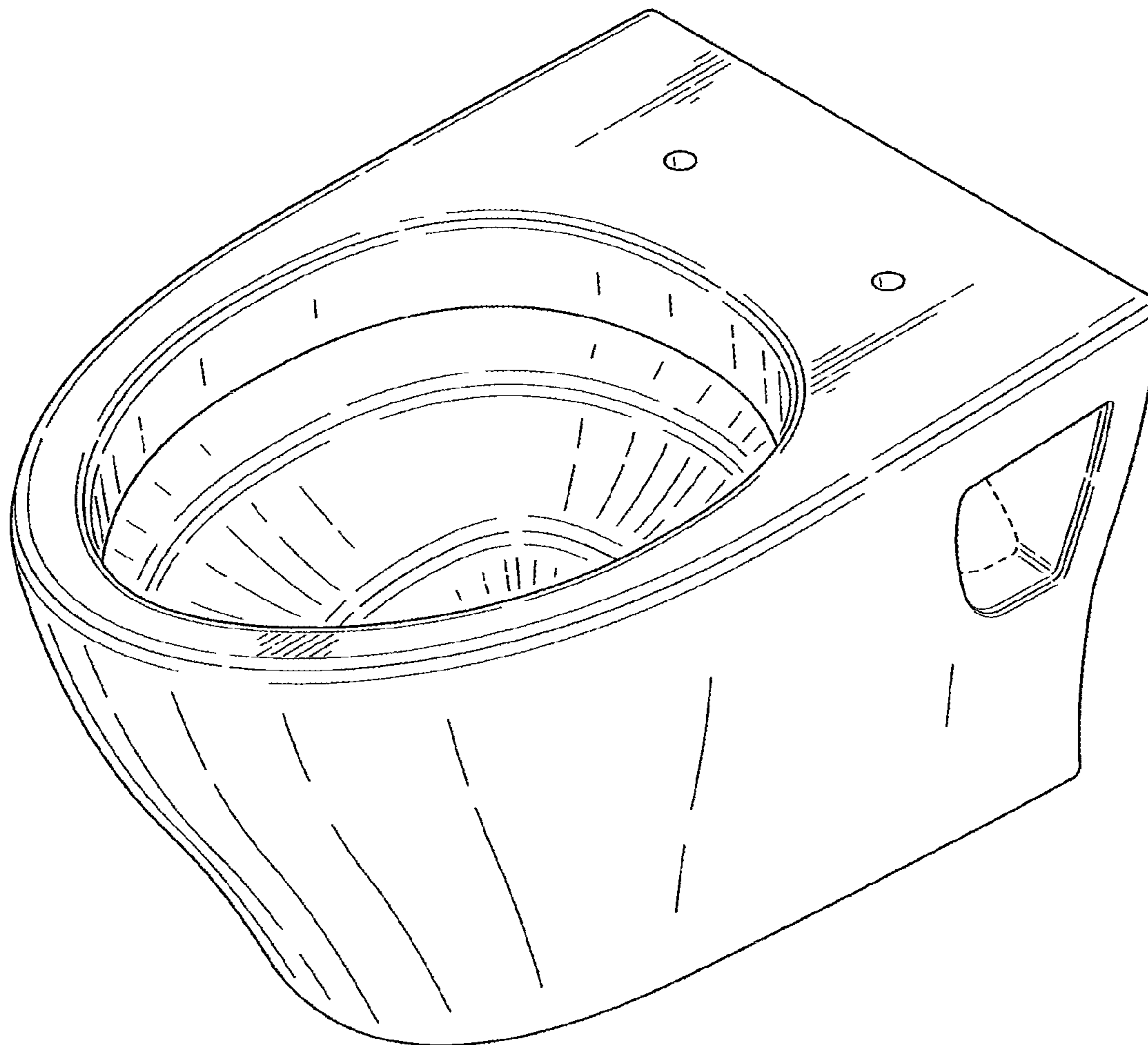
FIG. 5 is a right side view thereof;

FIG. 6 is a top plan view thereof; and,

FIG. 7 is a bottom view thereof.

The portion of the article in broken lines are shown for illustrative purposes only and form no part of the claimed design.

1 Claim, 5 Drawing Sheets



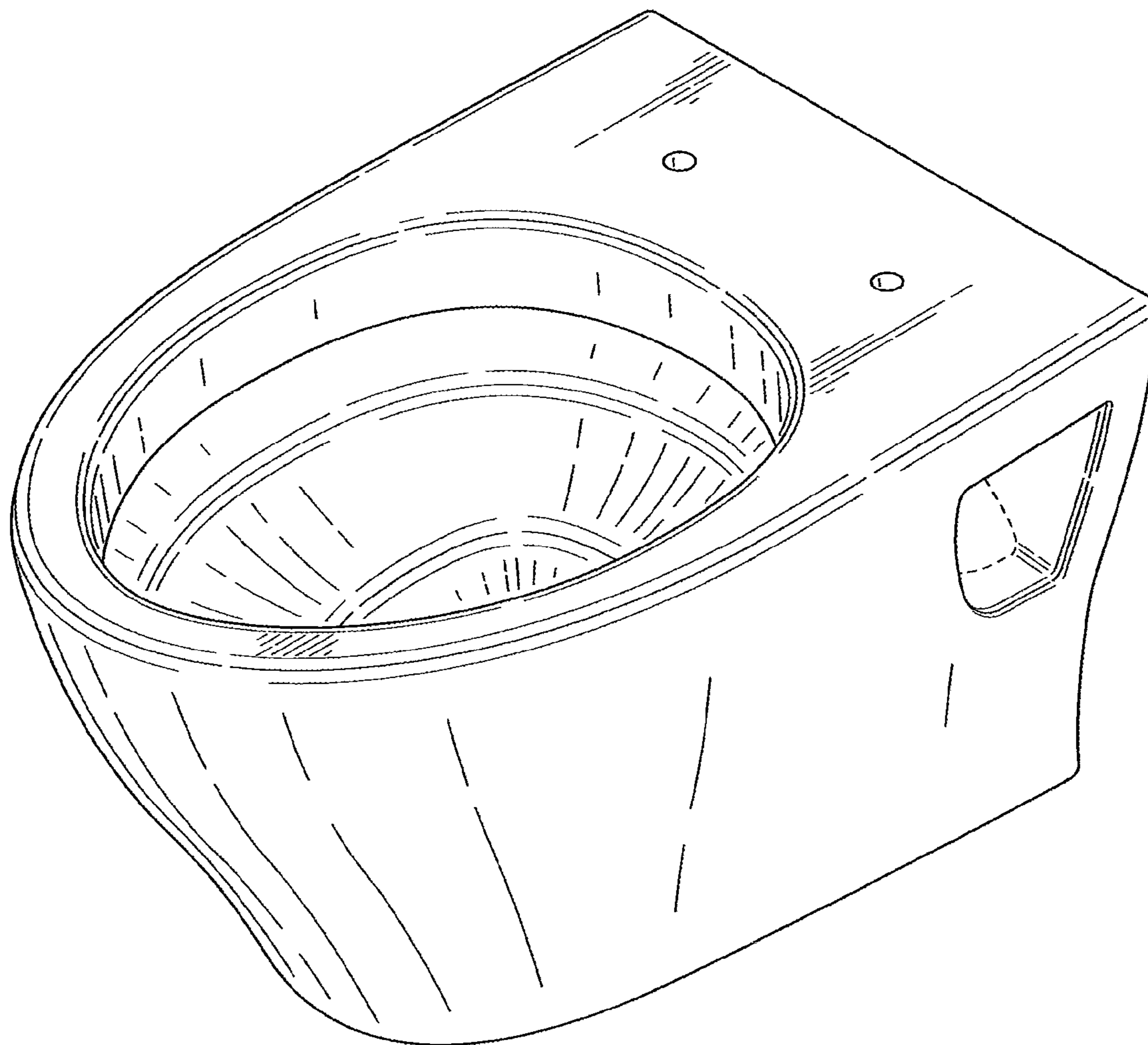


FIG. 1

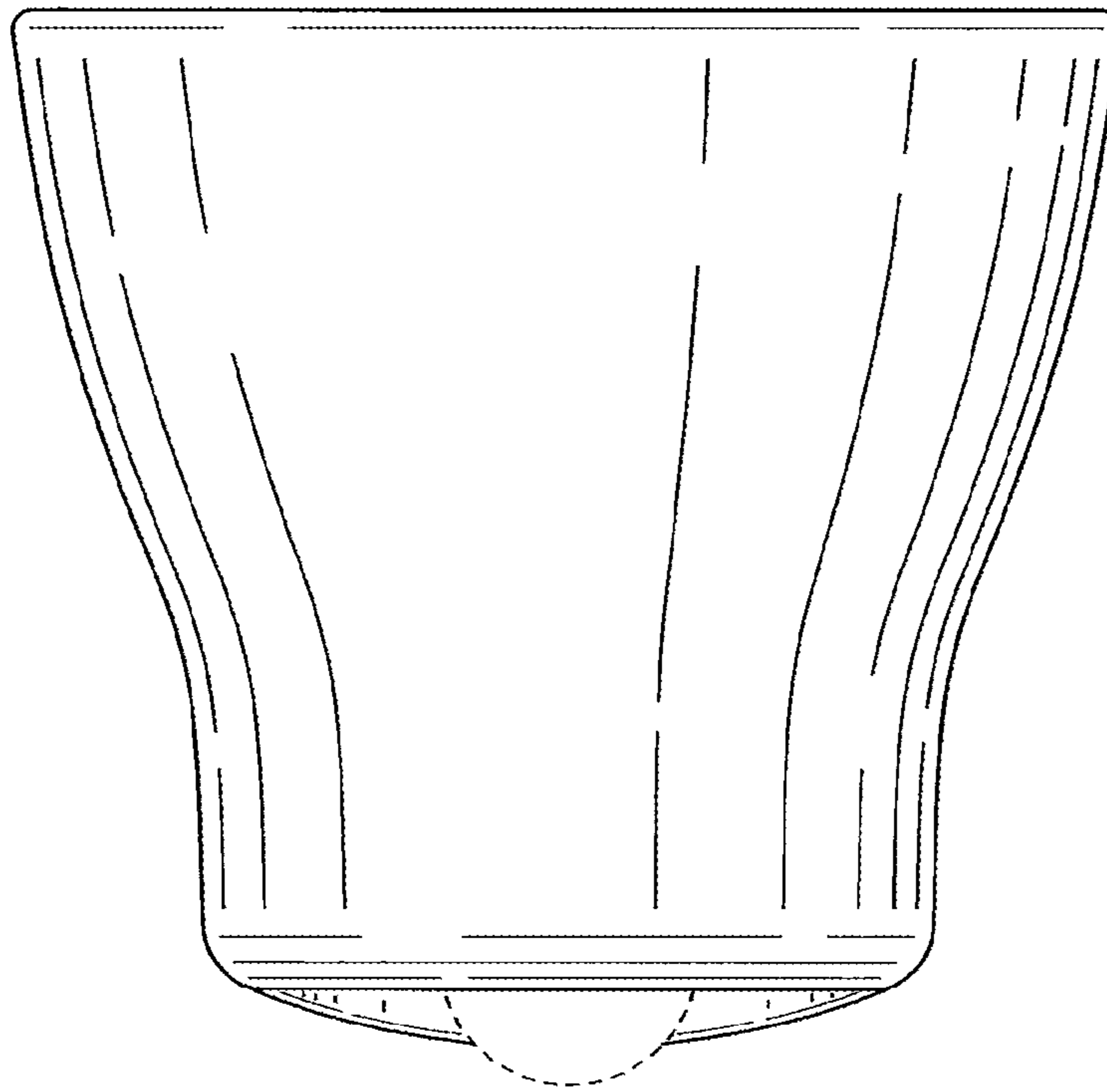


FIG. 2

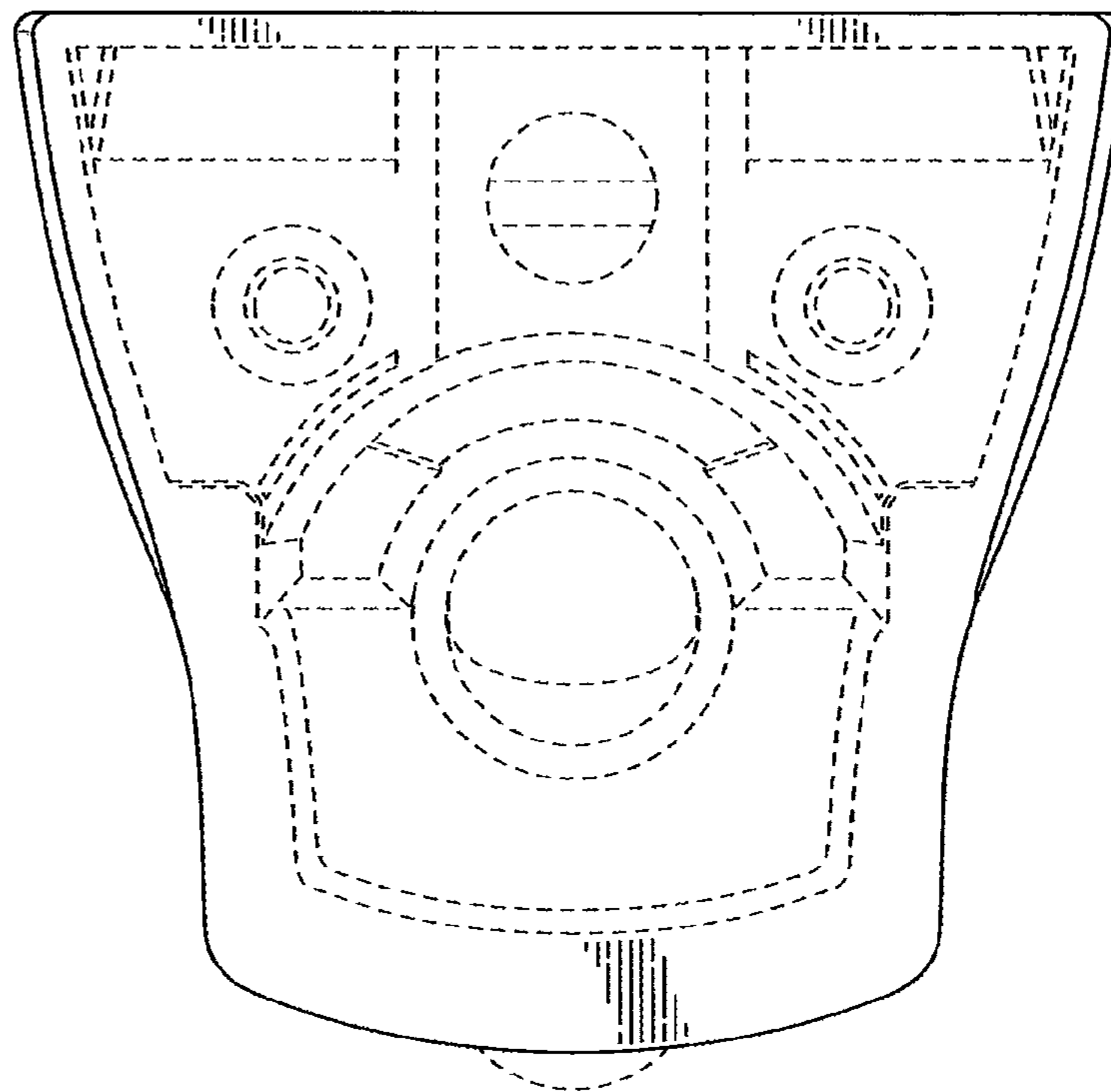


FIG. 3

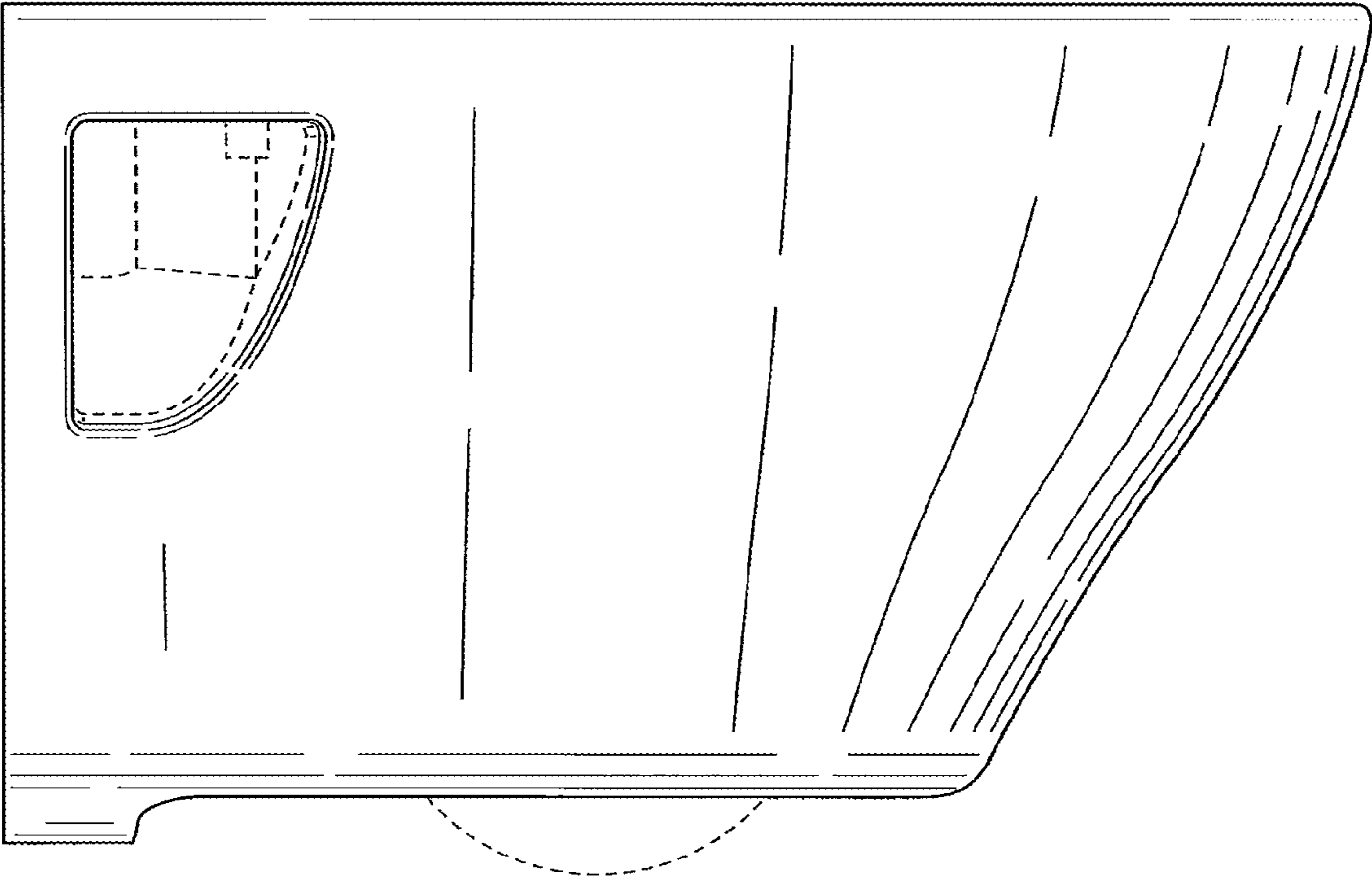


FIG. 4

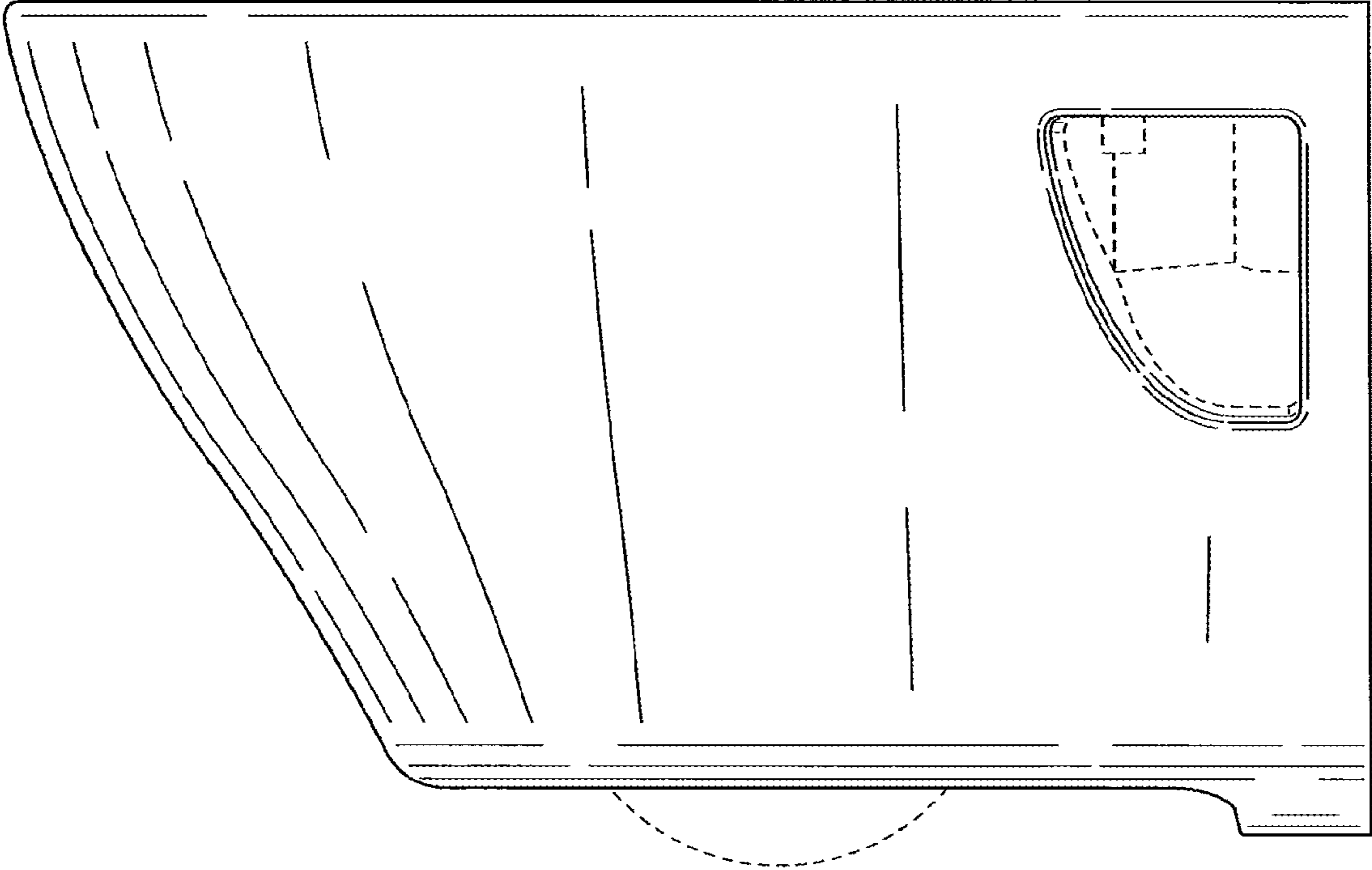


FIG. 5

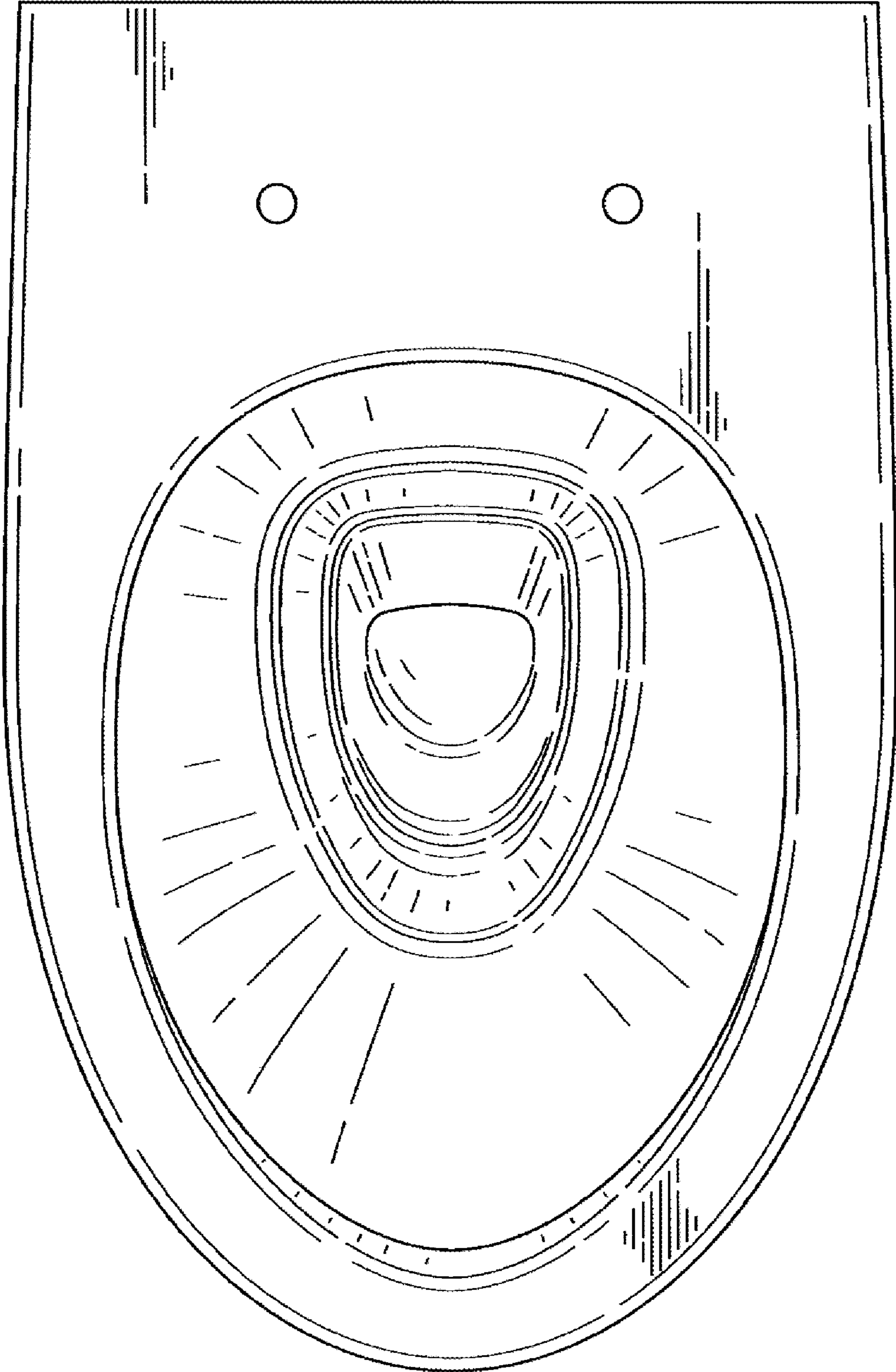


FIG. 6

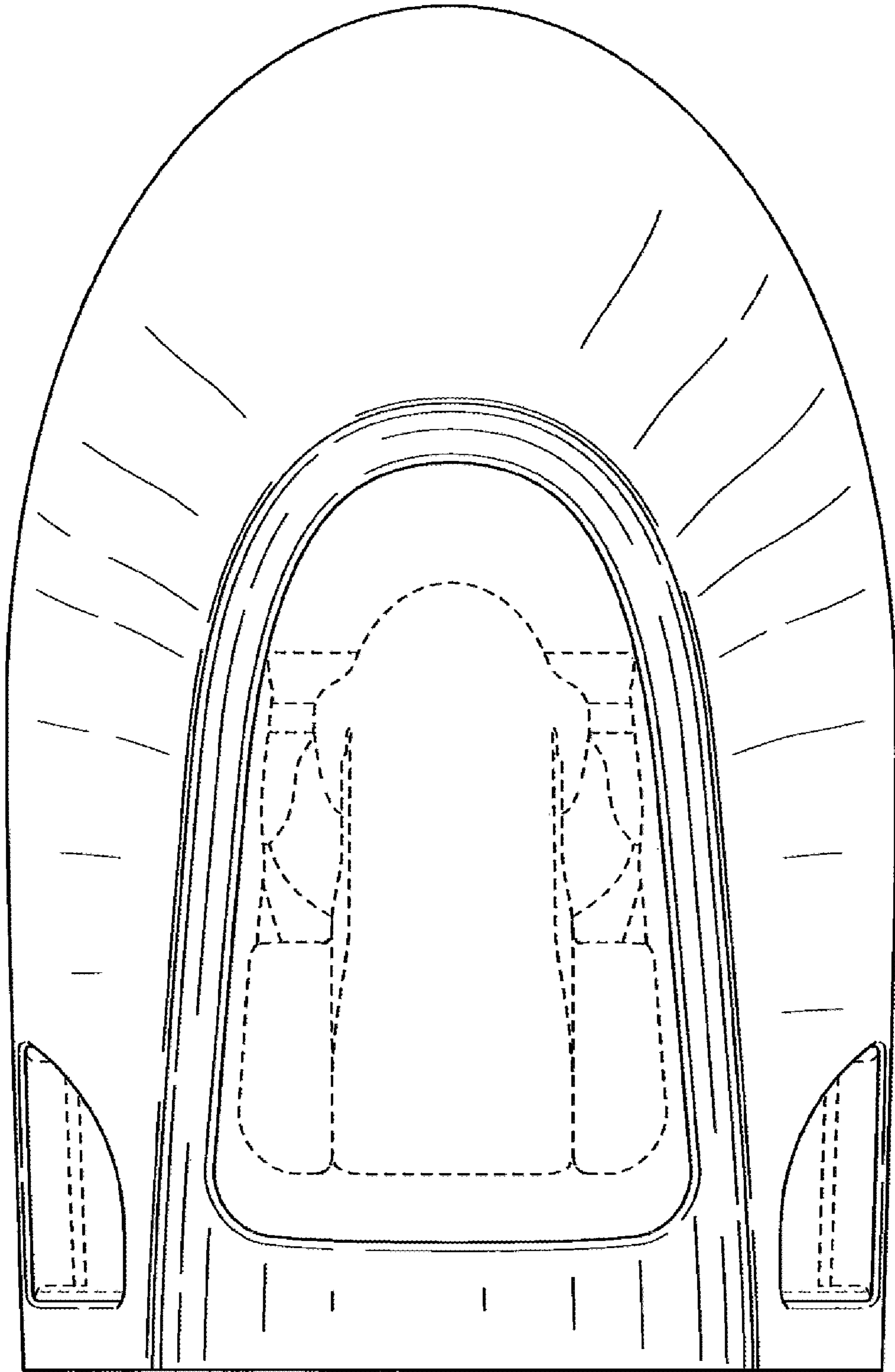


FIG. 7