



US00D621485S

(12) **United States Design Patent**
Stanchak

(10) **Patent No.:** **US D621,485 S**

(45) **Date of Patent:** **** Aug. 10, 2010**

(54) **TUB FOR BATHING**

(75) Inventor: **Katherine A. Stanchak**, Medford, MA
(US)

(73) Assignee: **Kohler Co.**, Kohler, WI (US)

(**) Term: **14 Years**

(21) Appl. No.: **29/356,035**

(22) Filed: **Feb. 18, 2010**

Related U.S. Application Data

(62) Division of application No. 29/331,024, filed on Jan. 16, 2009.

(51) **LOC (9) Cl.** **23-02**

(52) **U.S. Cl.** **D23/277**

(58) **Field of Classification Search** D23/277,
D23/280.1-280.3, 304; 4/538; D24/204-205
See application file for complete search history.

(56) **References Cited**

U.S. PATENT DOCUMENTS

D523,941 S 6/2006 Bates

OTHER PUBLICATIONS

Kohler Co. "Portrait 5" Bath with Integral Apron". Model No. K-1108-LA/RA. Kohler Co. online catalog.

Kohler Co. "Perma-Wall Bath Surround". Model No. K-1465. Kohler Co. online catalog. Dated Sep. 1986.

Aquatic. "Symphony 9". HomePortfolio.com online catalog. Copyright 1997-2008 HomePortfolio.com Inc.

Kohler Co. "Steeping Bath Whirlpool". Model No. K-792-V. Kohler Co. online catalog. Dated Apr. 1989.

Kohler Co. "Portrait 5" Model No. K-7161-AF or K-7161M-AF. Kohler Co. online catalog.

Primary Examiner—Robert A Delehanty

(74) *Attorney, Agent, or Firm*—Quarles & Brady LLP

(57) **CLAIM**

The ornamental design for a tub for bathing, as shown and described.

DESCRIPTION

FIG. 1 is a right, top, front perspective view of a tub for bathing according to my new design;

FIG. 2 is a top plan view thereof;

FIG. 3 is a front elevational view thereof, the rear elevational view thereof being a mirror image of the front shown;

FIG. 4 is a right side elevational view thereof;

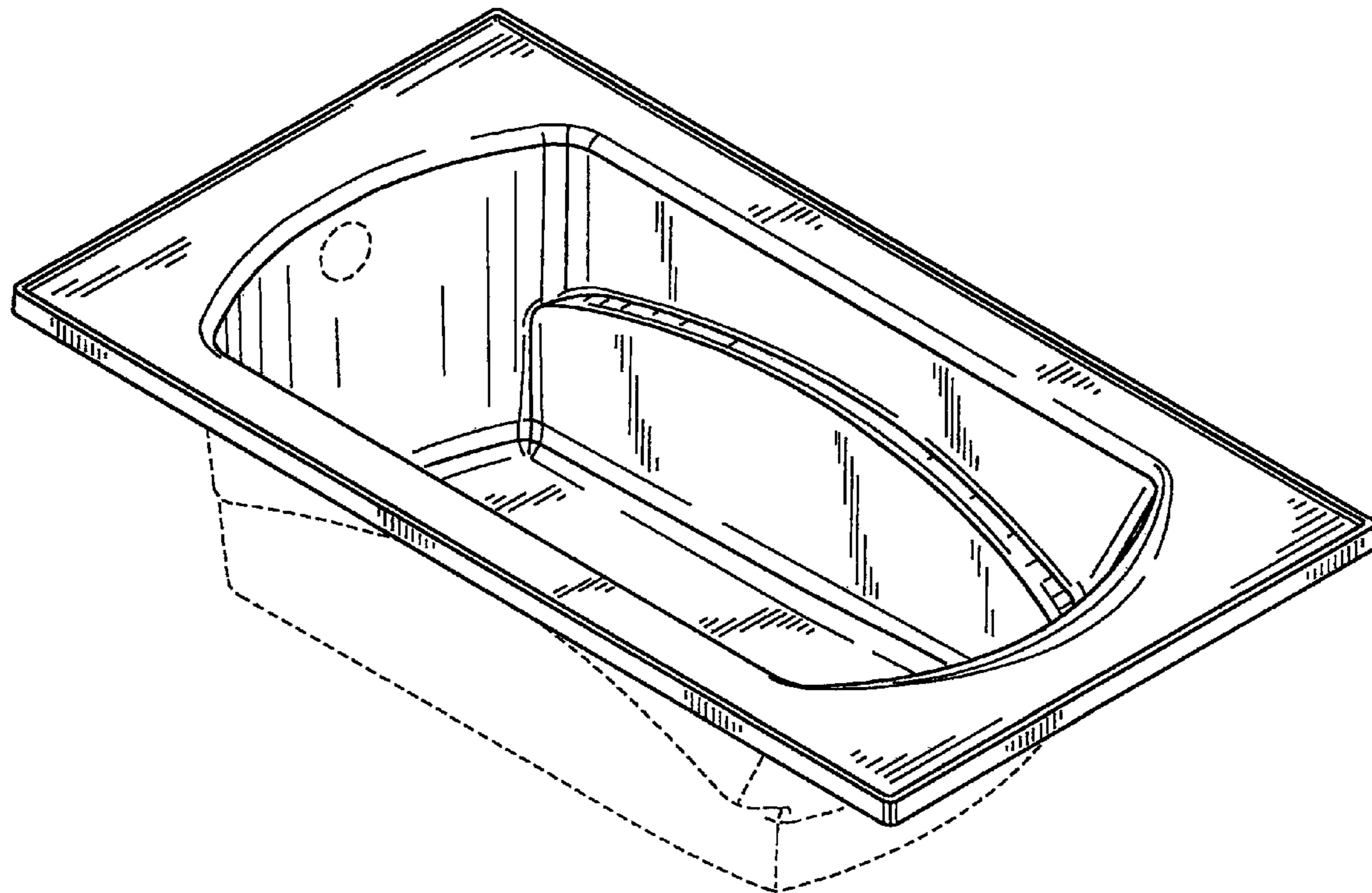
FIG. 5 is a left side elevational view thereof; and,

FIG. 6 is a bottom plan view thereof.

The broken line representations in the figures are for the purpose of illustration only, and form no part of the claimed design.

In a preferred embodiment, the nature of this product is as a plumbing fixture in the form of a bathing tub primary useful for washing the human body.

1 Claim, 5 Drawing Sheets



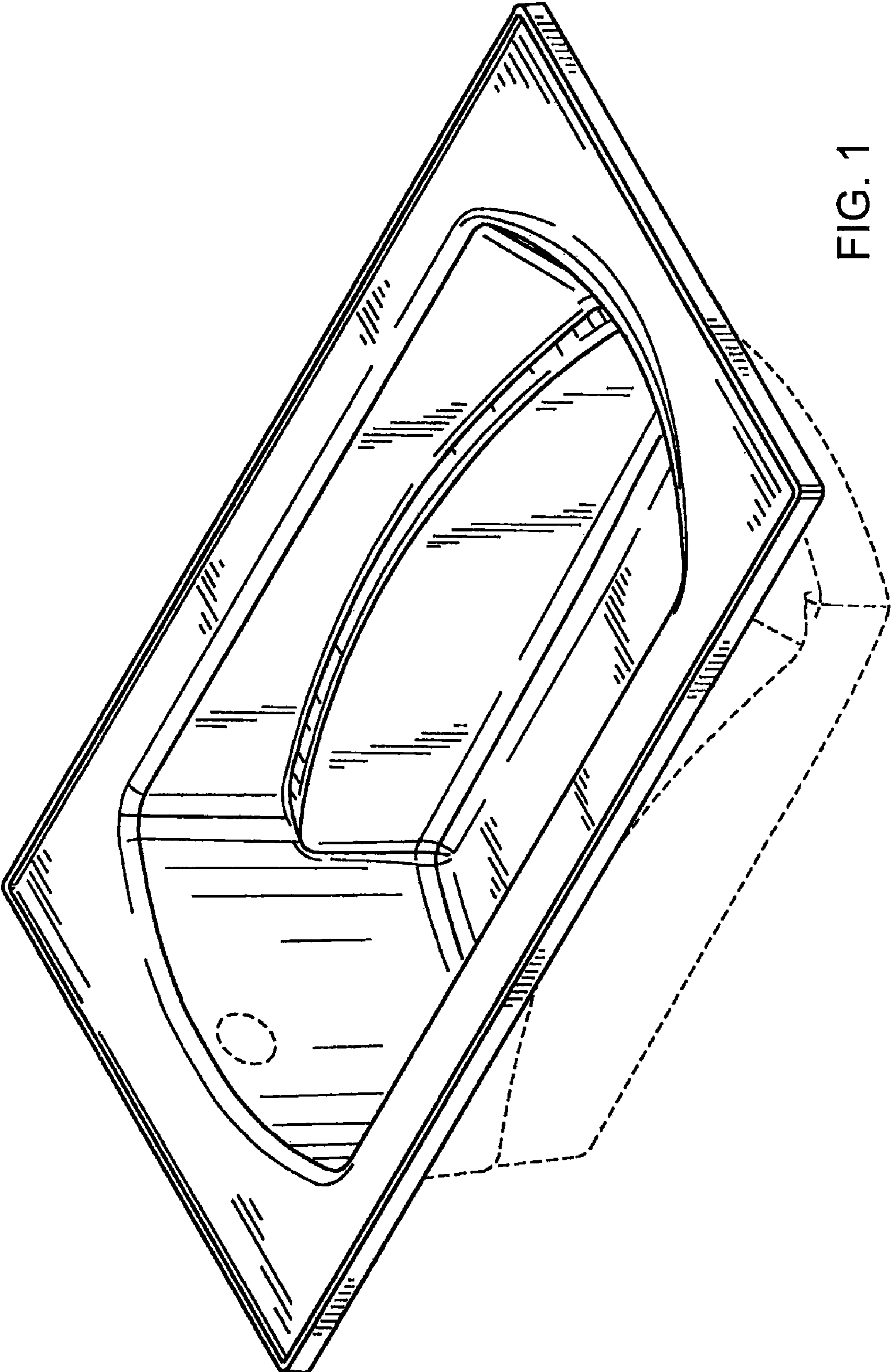


FIG. 1

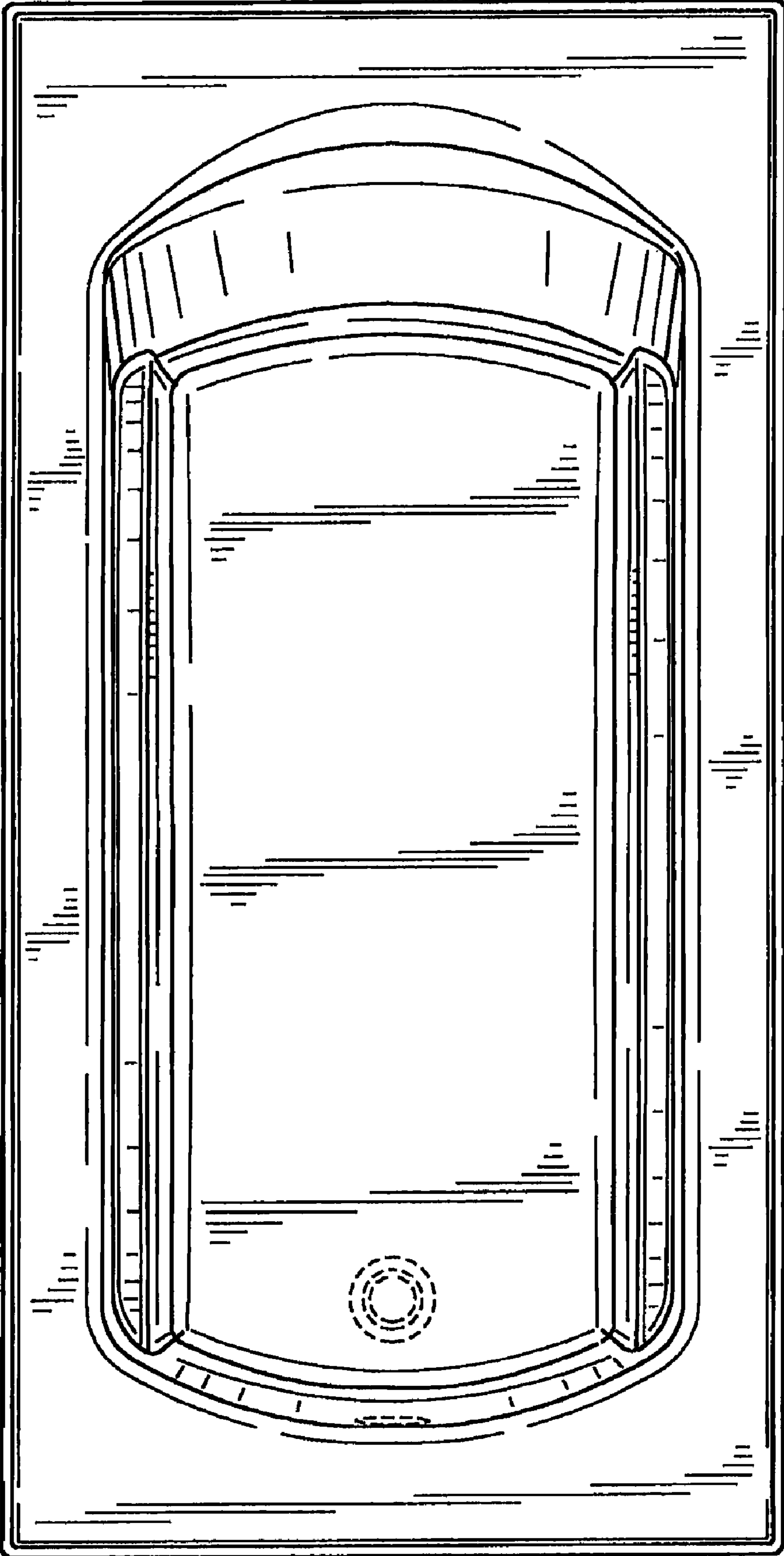


FIG. 2

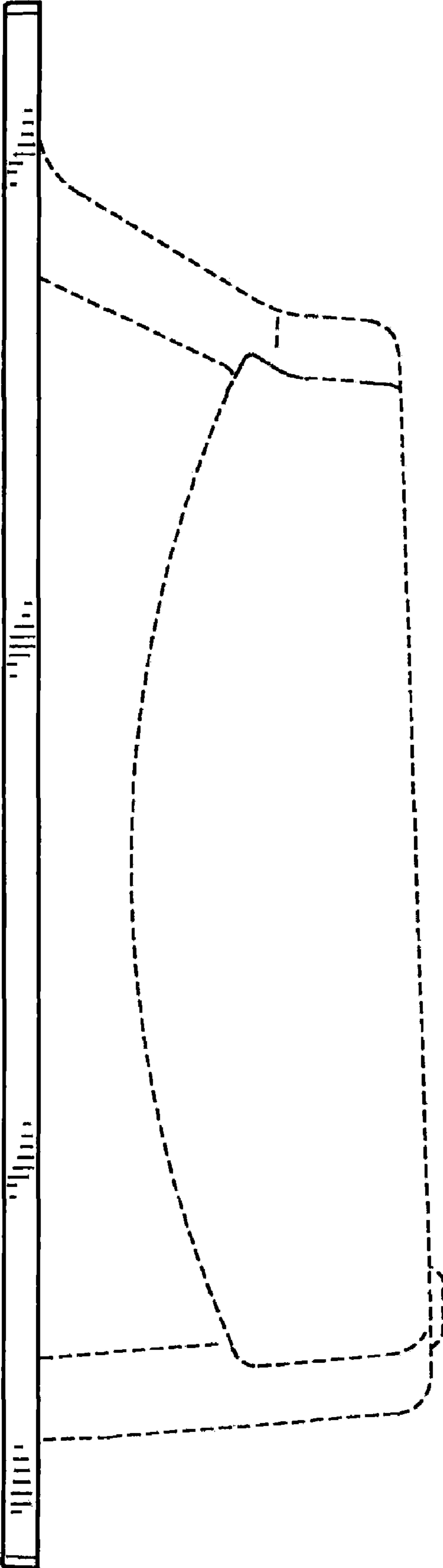


FIG. 3

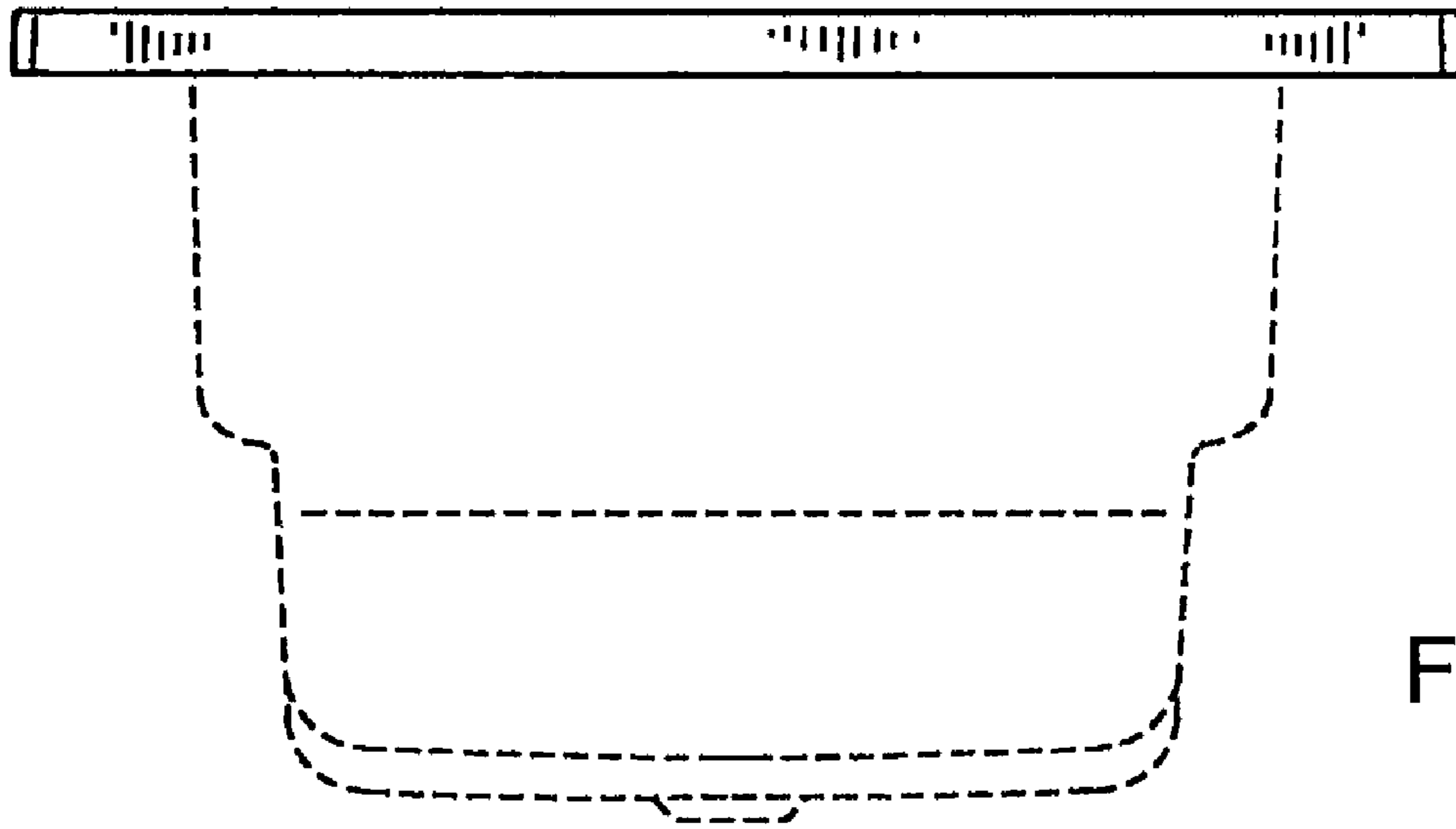


FIG. 4

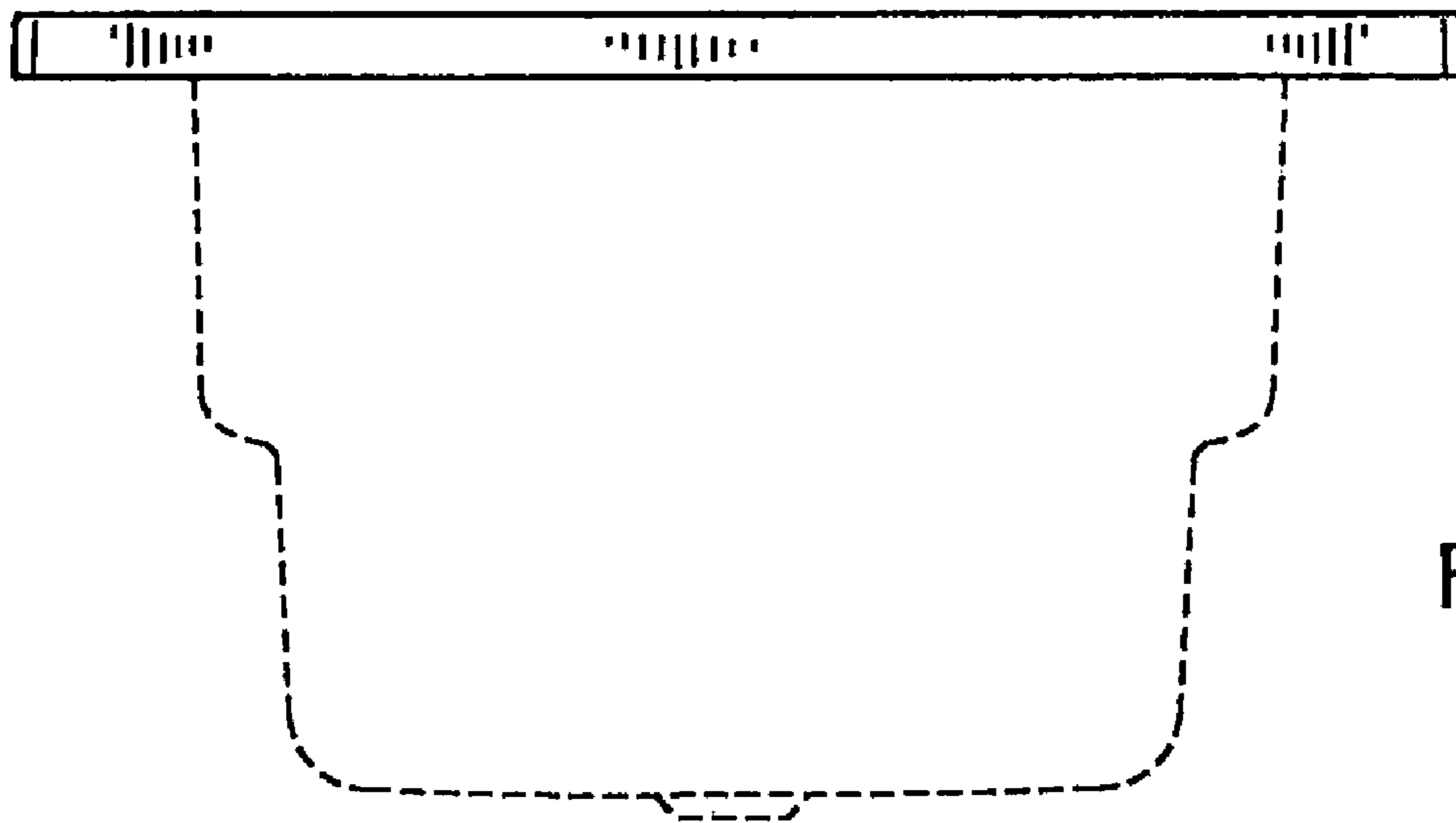


FIG. 5

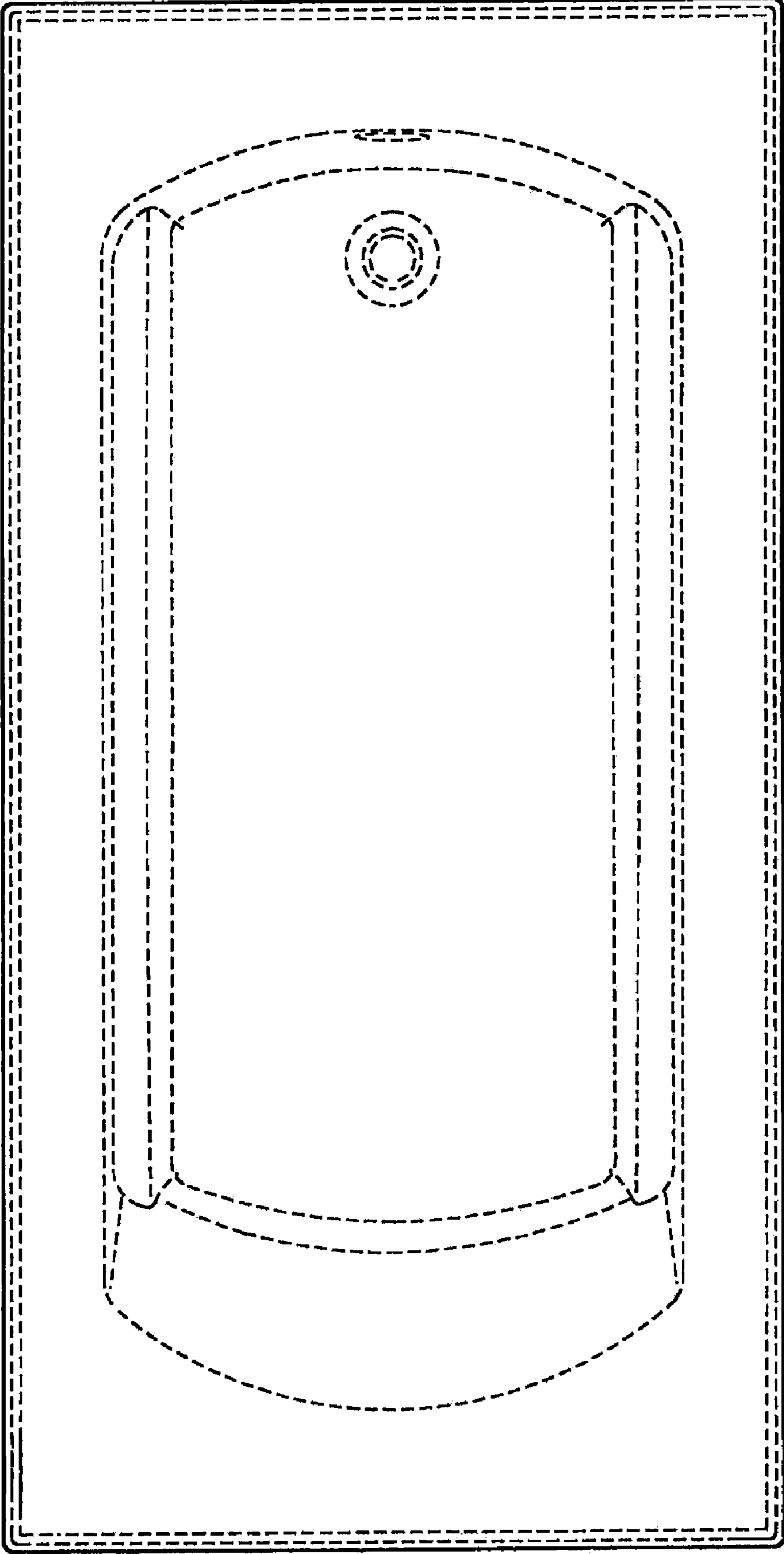


FIG. 6