



US00D621482S

(12) **United States Design Patent**  
**Porter et al.**

(10) **Patent No.:** **US D621,482 S**

(45) **Date of Patent:** **\*\* \*Aug. 10, 2010**

(54) **PIPE COUPLING SEGMENT**

(75) Inventors: **Michael V. Porter**, Easton, PA (US);  
**Scott D. Madara**, Nazareth, PA (US);  
**Amit R. Shah**, Quakertown, PA (US)

(73) Assignee: **Victaulic Company**, Easton, PA (US)

(\*) Notice: This patent is subject to a terminal disclaimer.

(\*\*) Term: **14 Years**

(21) Appl. No.: **29/345,578**

(22) Filed: **Oct. 19, 2009**

(51) **LOC (9) Cl.** ..... **23-01**

(52) **U.S. Cl.** ..... **D23/262**

(58) **Field of Classification Search** ..... D23/259–269;  
285/340, 367, 373, 404, 53, 915; D8/396;  
403/291, 300; 411/5, 10; 137/801  
See application file for complete search history.

(56) **References Cited**

**U.S. PATENT DOCUMENTS**

1,851,574	A *	3/1932	Fiederlein	.....	285/332
D142,057	S	8/1945	Baxter		
D142,834	S	11/1945	Campbell		
D168,928	S	3/1953	English		
2,752,173	A *	6/1956	Krooss	.....	285/232
3,695,638	A	10/1972	Blakeley		
4,218,080	A	8/1980	Kendrick		
4,408,788	A	10/1983	Beukema		
D287,532	S *	12/1986	Jones et al.	.....	D23/265
4,896,902	A	1/1990	Weston		
4,966,395	A	10/1990	Hendrickson		
5,058,931	A	10/1991	Bowsher		
D334,050	S	3/1993	Foxlee		
D339,975	S	10/1993	Bird et al.		
5,911,446	A	6/1999	McLennan et al.		
6,076,861	A	6/2000	Ikeda		
6,170,884	B1 *	1/2001	McLennan et al.	.....	285/112
6,626,466	B1	9/2003	Dole		
7,086,131	B2	8/2006	Gibb et al.		

7,090,259	B2	8/2006	Dole		
D558,307	S	12/2007	Gibb et al.		
D560,764	S	1/2008	Gibb et al.		
D568,451	S	5/2008	Gibb et al.		
D570,458	S	6/2008	Gibb et al.		
D583,444	S *	12/2008	Nagle et al.	.....	D23/262
D583,914	S *	12/2008	Pierce et al.	.....	D23/262
D583,916	S *	12/2008	Madara et al.	.....	D23/265

(Continued)

**OTHER PUBLICATIONS**

Asian Sources Hardware (Apr. 2006), p. 187.

*Primary Examiner*—T. Chase Nelson

*Assistant Examiner*—Eric L Goodman

(74) *Attorney, Agent, or Firm*—Ballard Spahr LLP

(57) **CLAIM**

We claim the ornamental design for a pipe coupling segment, as shown and described.

**DESCRIPTION**

FIG. 1 is an isometric view of a first embodiment of our design for a pipe coupling segment;

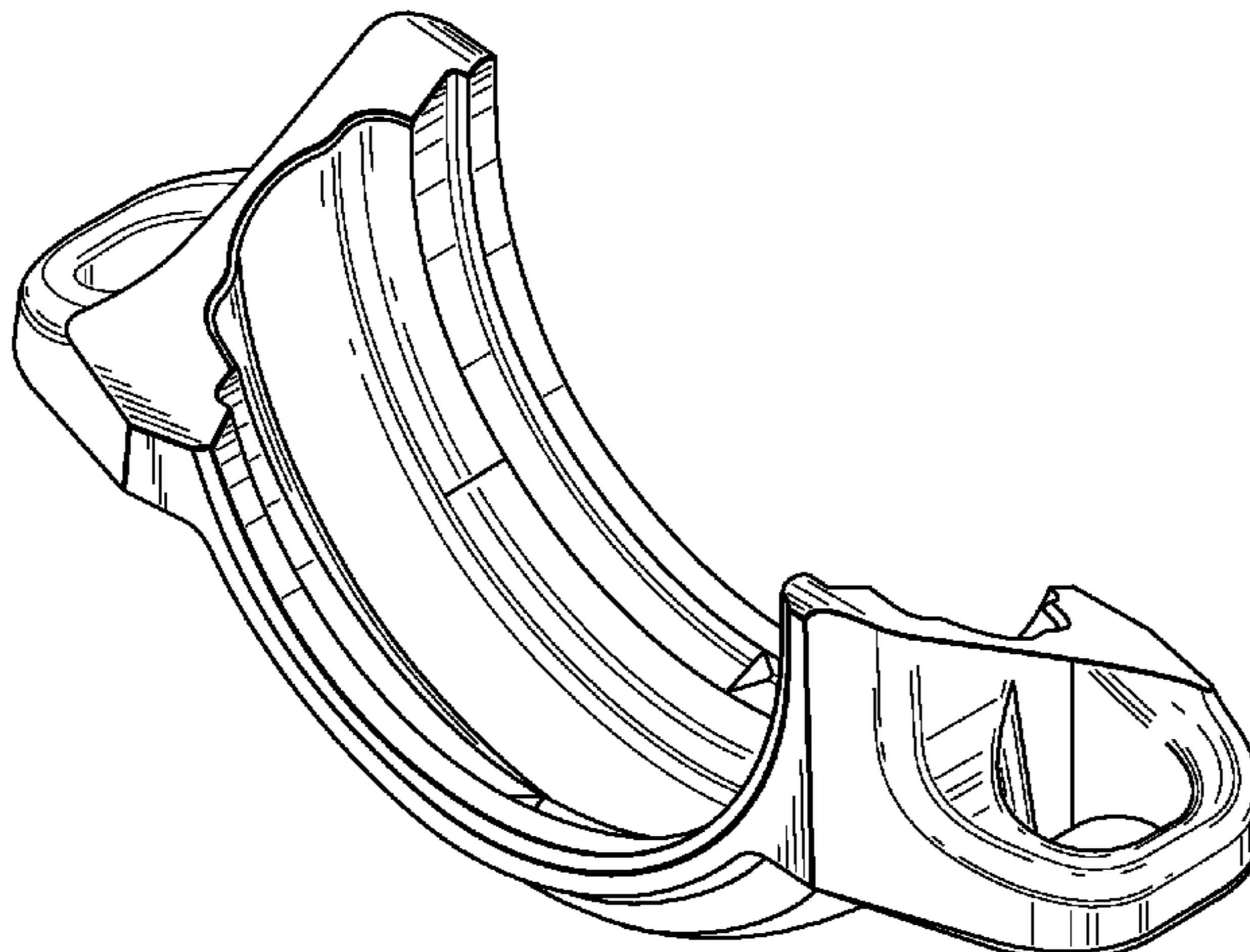
FIG. 2 is a front view of the design for a pipe coupling segment shown in FIG. 1, the rear view being identical;

FIG. 3 is a top view of the design for a pipe coupling segment shown in FIG. 1;

FIG. 4 is a bottom view of the design for a pipe coupling segment shown in FIG. 1; and,

FIG. 5 is a left side view of the design for a pipe coupling segment shown in FIG. 1, the right side view being identical.

**1 Claim, 2 Drawing Sheets**



# US D621,482 S

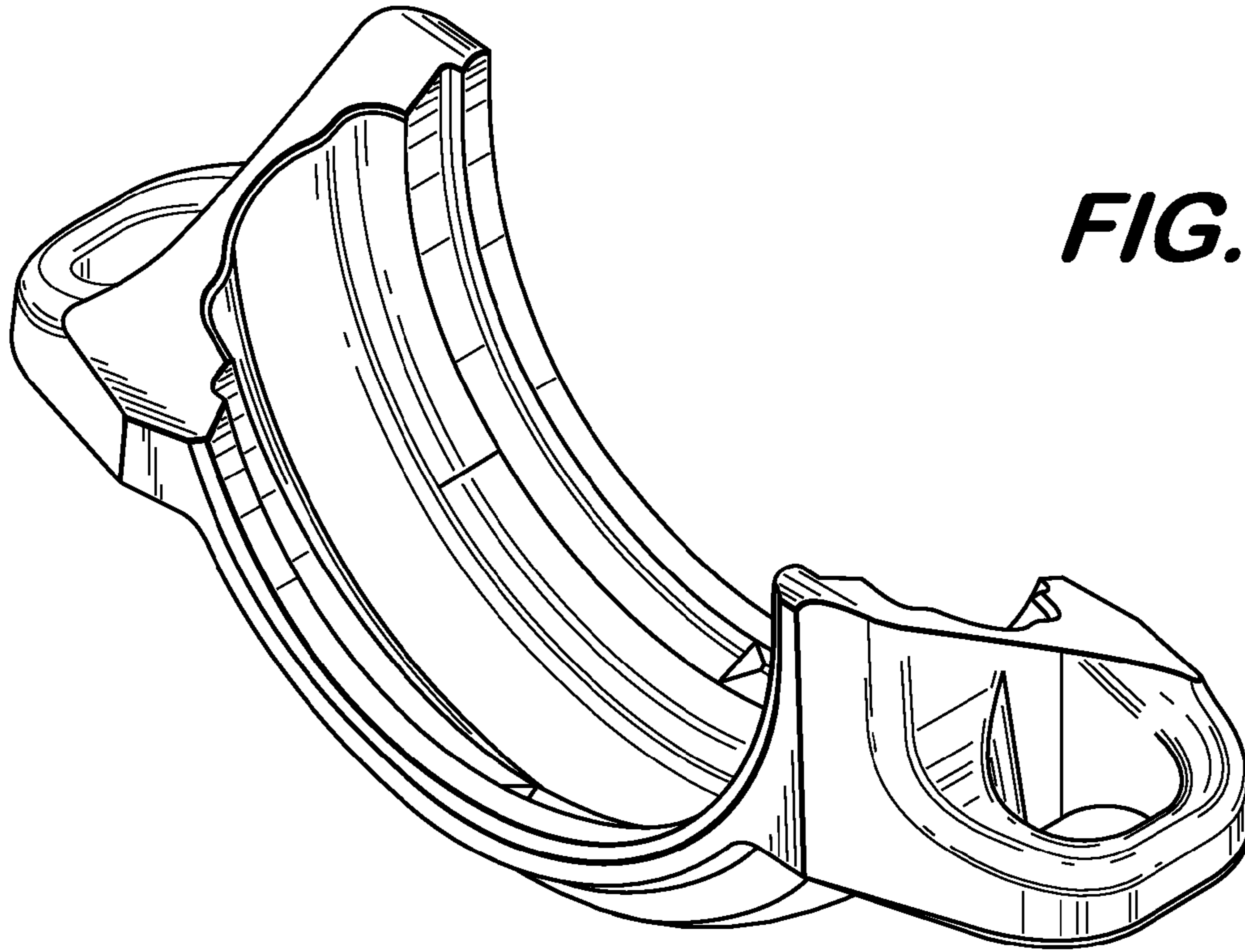
Page 2

---

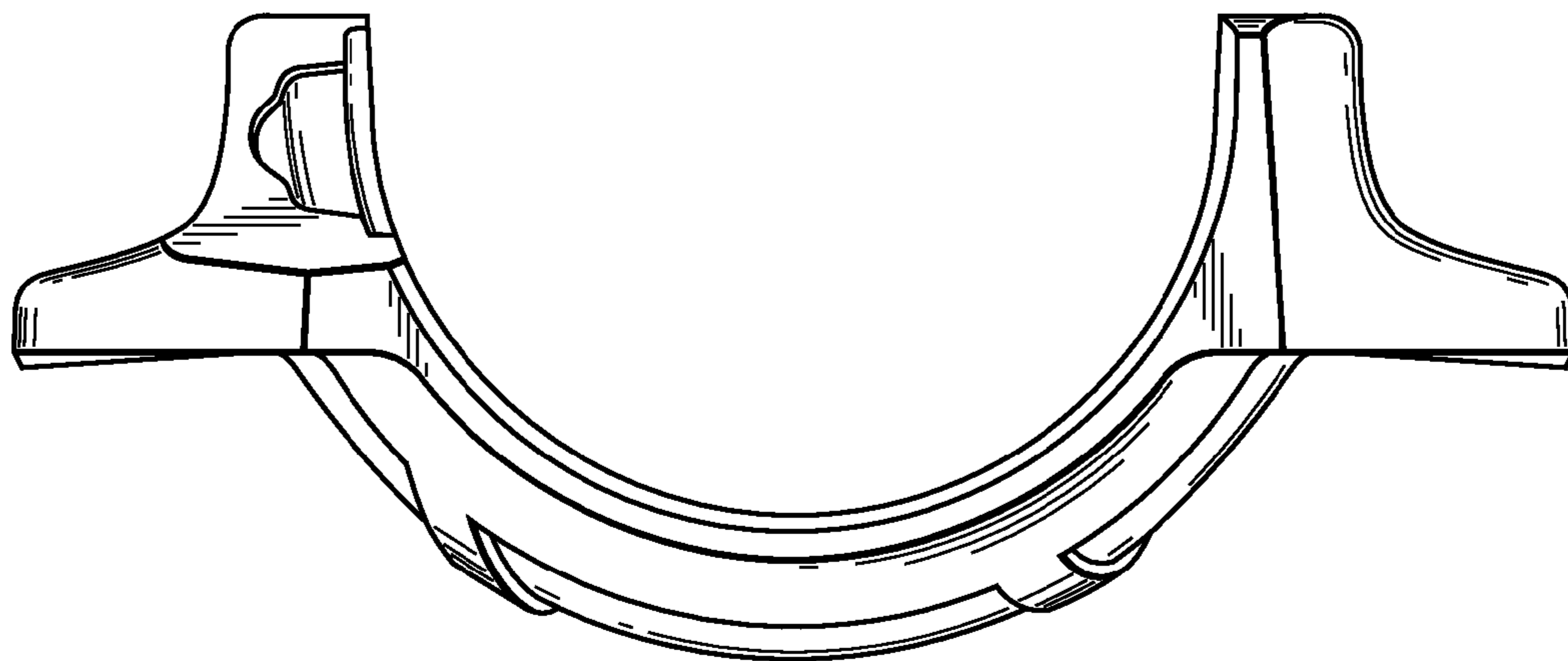
## U.S. PATENT DOCUMENTS

D587,349 S *	2/2009	Madara et al. ....	D23/265	D590,925 S	4/2009	Nagle et al.	
D590,923 S	4/2009	Nagle et al.		D595,815 S *	7/2009	Pierce et al. ....	D23/262
D590,924 S	4/2009	Nagle et al.		2005/0242585 A1	11/2005	Dole et al.	
				2008/0284161 A1*	11/2008	Dole et al. ....	285/148.8

\* cited by examiner

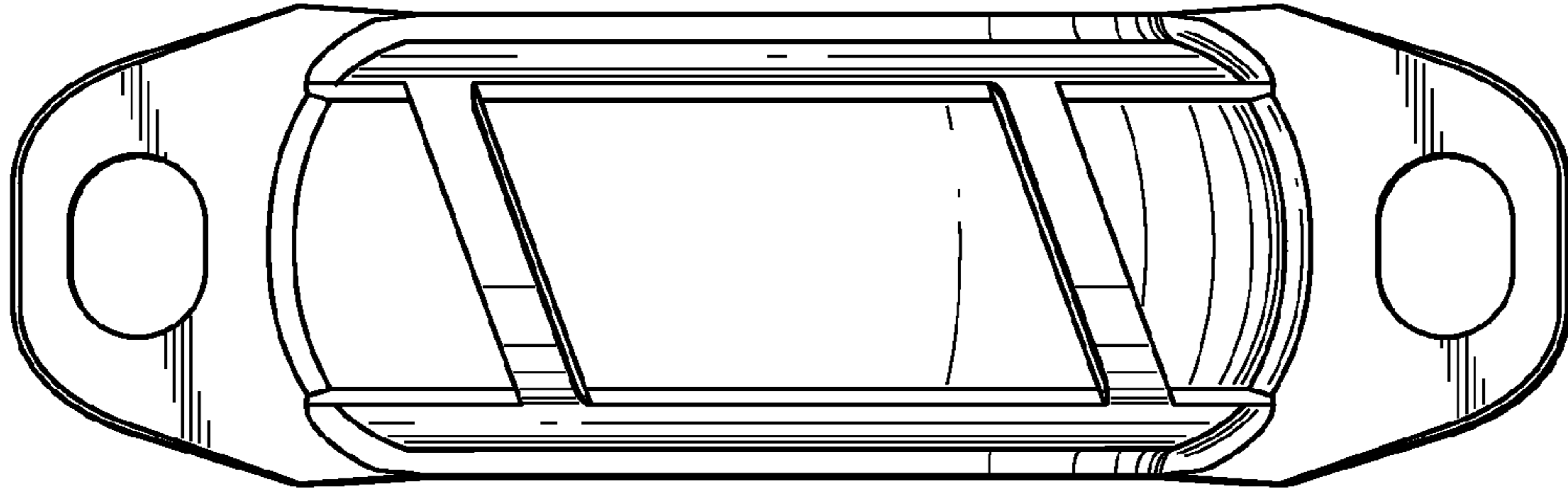


**FIG. 1**

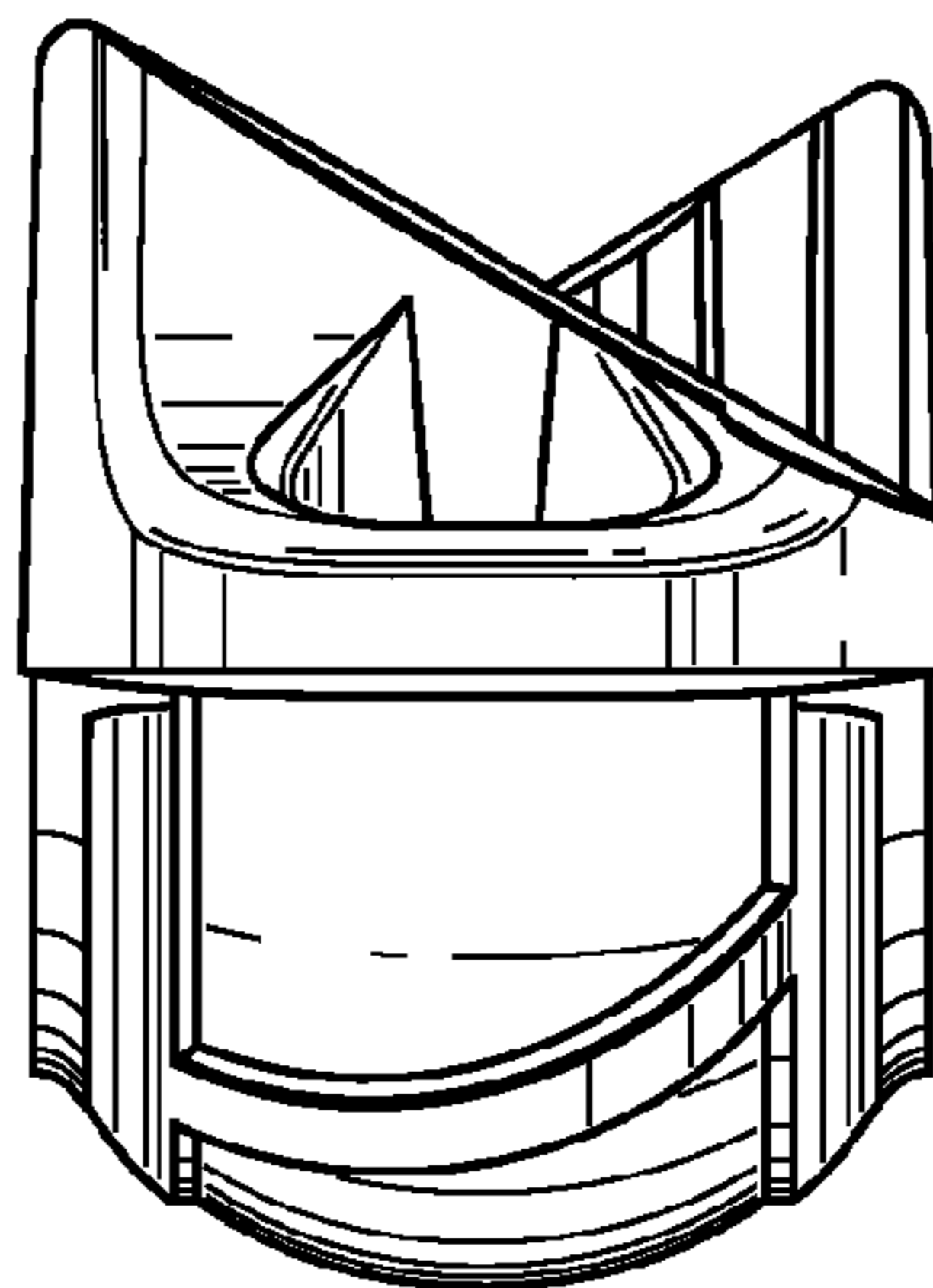
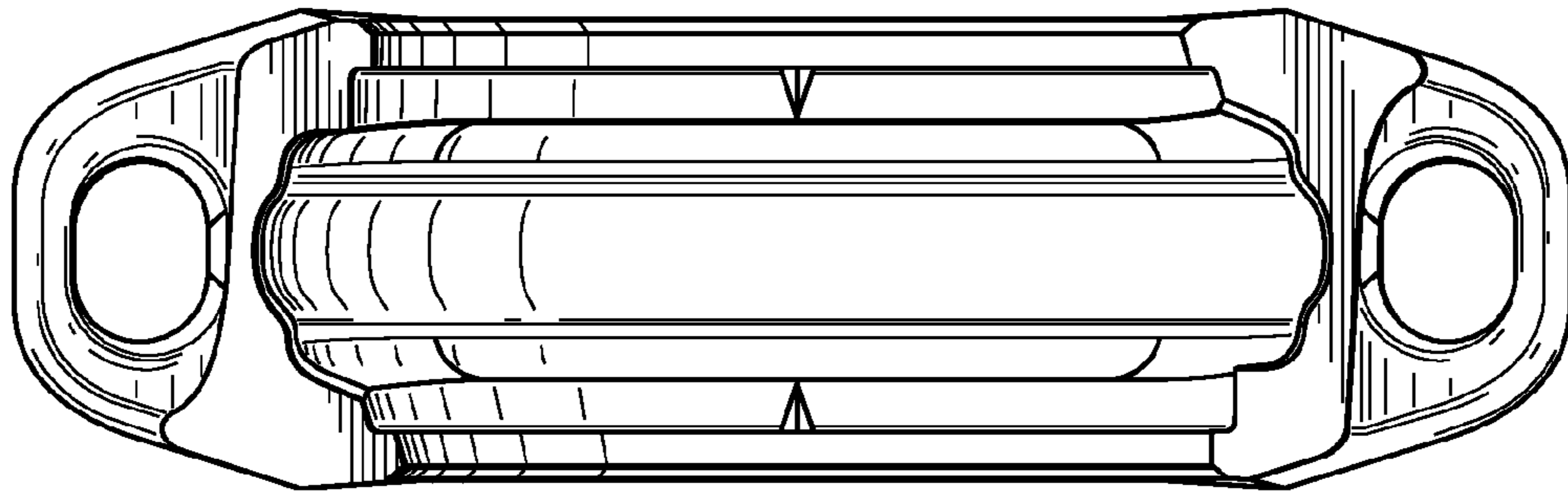


**FIG. 2**

**FIG. 3**



**FIG. 4**



**FIG. 5**