



US00D621480S

(12) **United States Design Patent**
Campbell

(10) **Patent No.:** **US D621,480 S**

(45) **Date of Patent:** **** Aug. 10, 2010**

(54) **PIPE PLUG**

6,935,527 B1 * 8/2005 Brock 220/210
D576,713 S * 9/2008 Mullis D23/260

(76) Inventor: **R. Bryce Campbell**, 3800 S. Cantabria Cir., Chandler, AZ (US) 85248

* cited by examiner

(**) Term: **14 Years**

Primary Examiner—Daniel D Bui

Assistant Examiner—Thomas J Johannes

(21) Appl. No.: **29/311,638**

(74) *Attorney, Agent, or Firm*—Stephen R. Greiner

(22) Filed: **May 12, 2009**

(57) **CLAIM**

(51) **LOC (9) Cl.** **23-01**

The ornamental design for a pipe plug, as shown and described.

(52) **U.S. Cl.** **D23/260**

(58) **Field of Classification Search** D23/209,
D23/260–266; 239/201, 458; 285/239, 458;
40/316; 138/89, 109, 110, 119, 134, 135;
210/488; 215/207, 222; D8/397; D24/232;
D9/454

DESCRIPTION

See application file for complete search history.

FIG. 1 is a perspective view of a pipe plug showing my new design;

FIG. 2 is a top view thereof;

FIG. 3 is a bottom view thereof;

FIG. 4 is a front elevational view thereof;

FIG. 5 is a rear elevational view thereof;

FIG. 6 is a right side elevational view thereof; and,

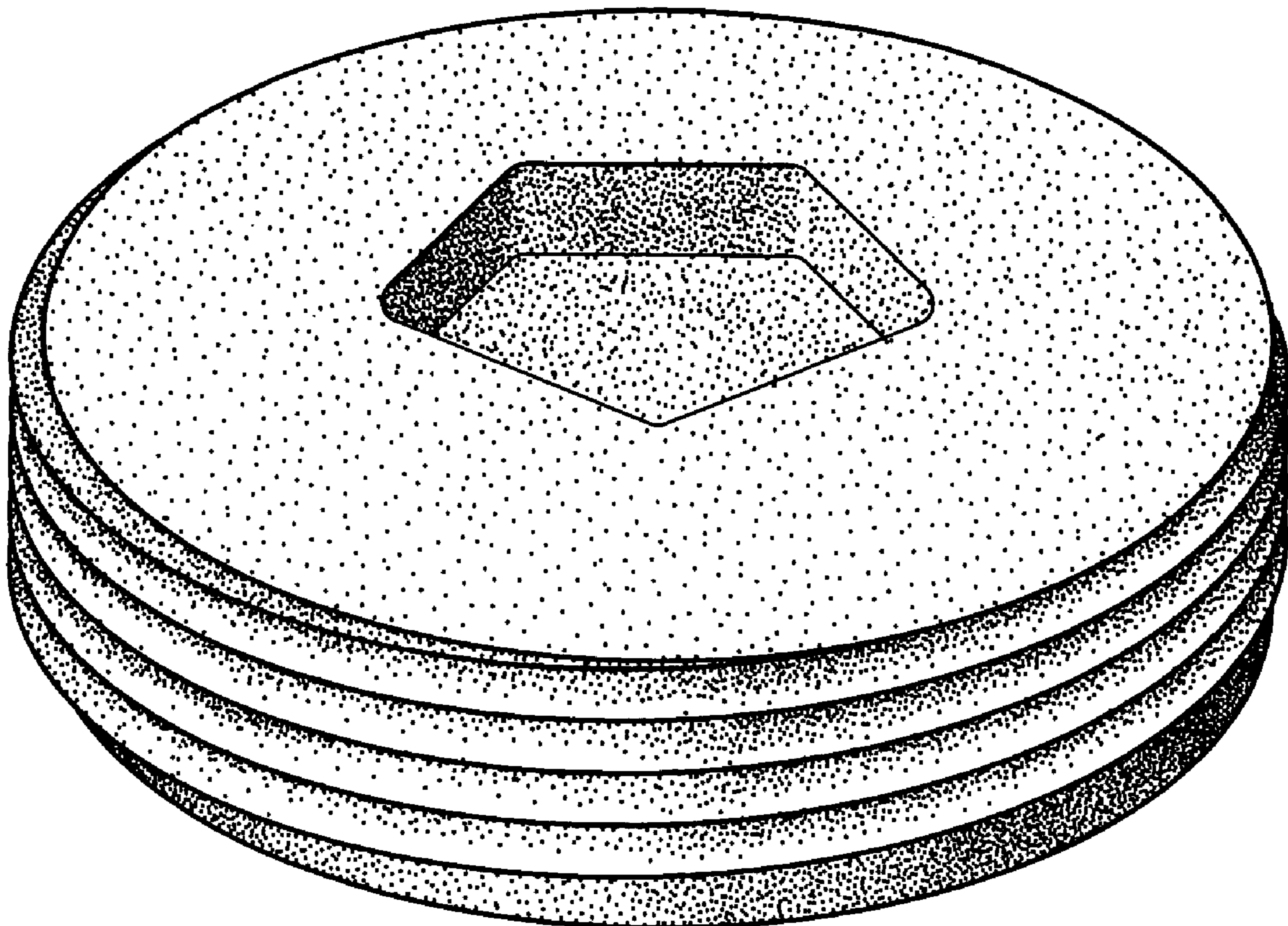
FIG. 7 is a left side elevational view thereof.

(56) **References Cited**

U.S. PATENT DOCUMENTS

3,821,969 A * 7/1974 Sinko 138/89
3,895,466 A * 7/1975 Melton 29/890.14
D243,317 S * 2/1977 Fukuyama D8/397
D263,799 S * 4/1982 Nilsson D9/439
D370,709 S * 6/1996 John D23/260

1 Claim, 3 Drawing Sheets



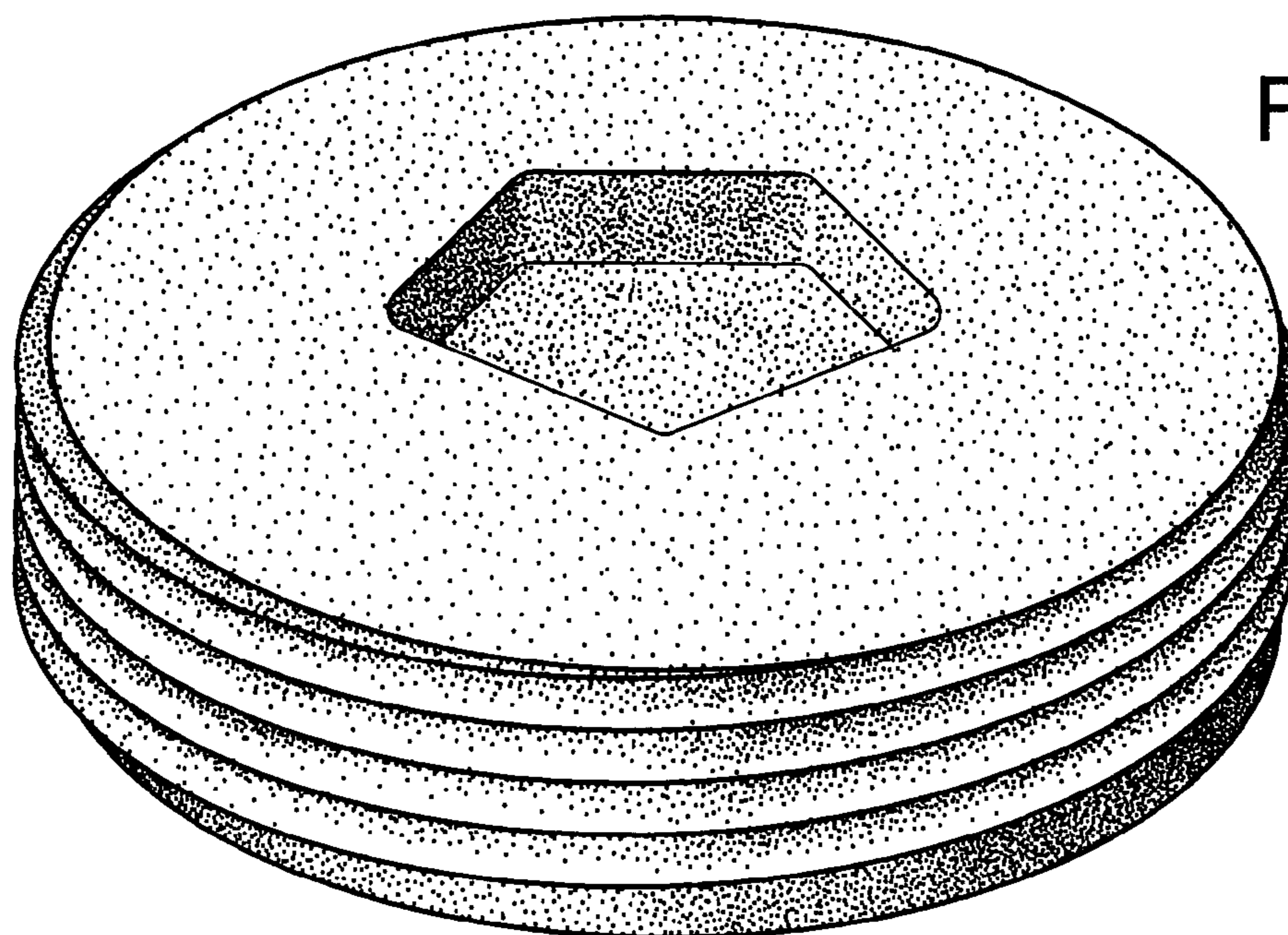


FIG. 1

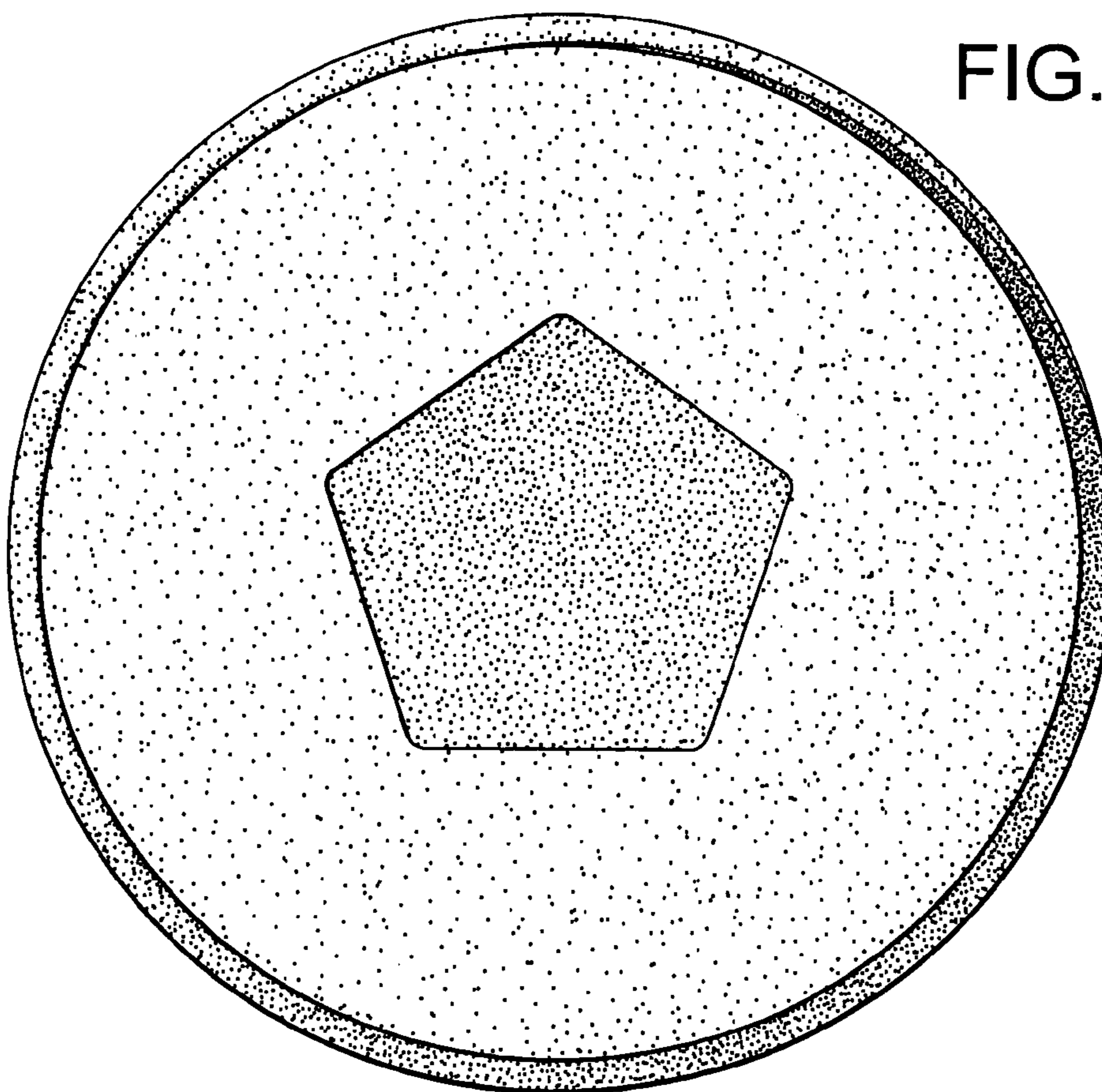


FIG. 2

FIG. 3

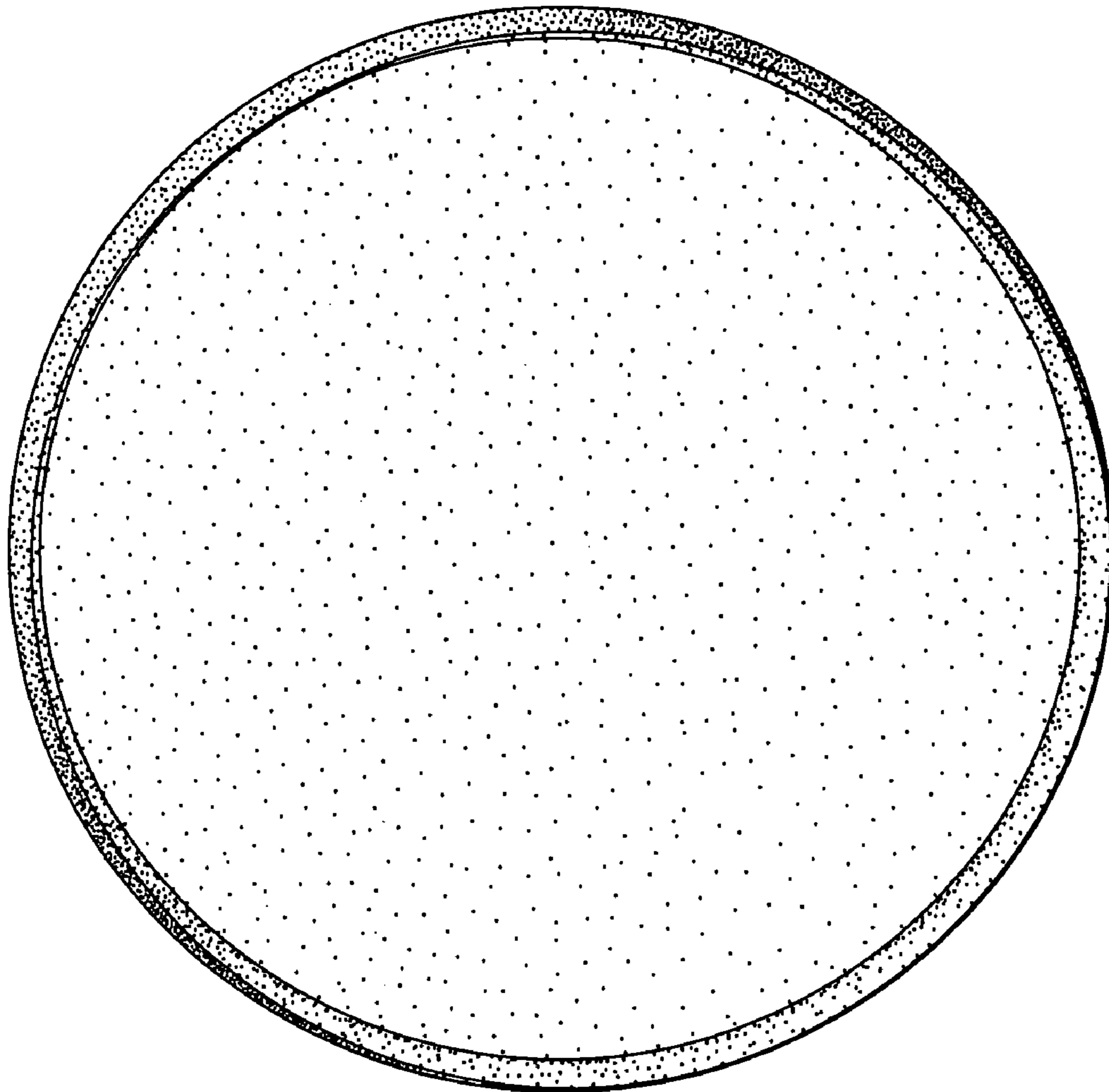


FIG. 4

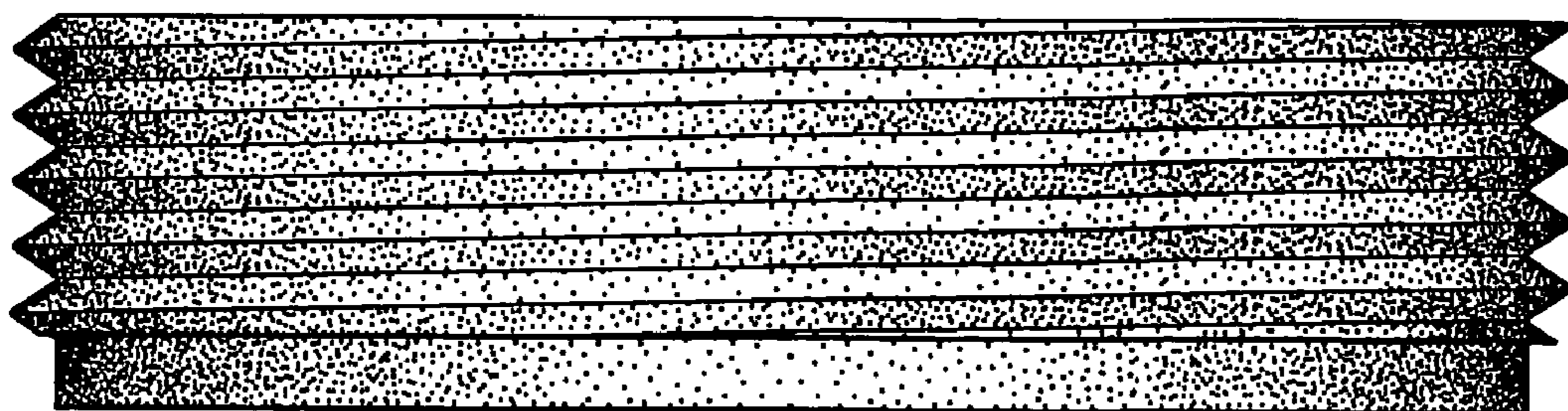


FIG. 5

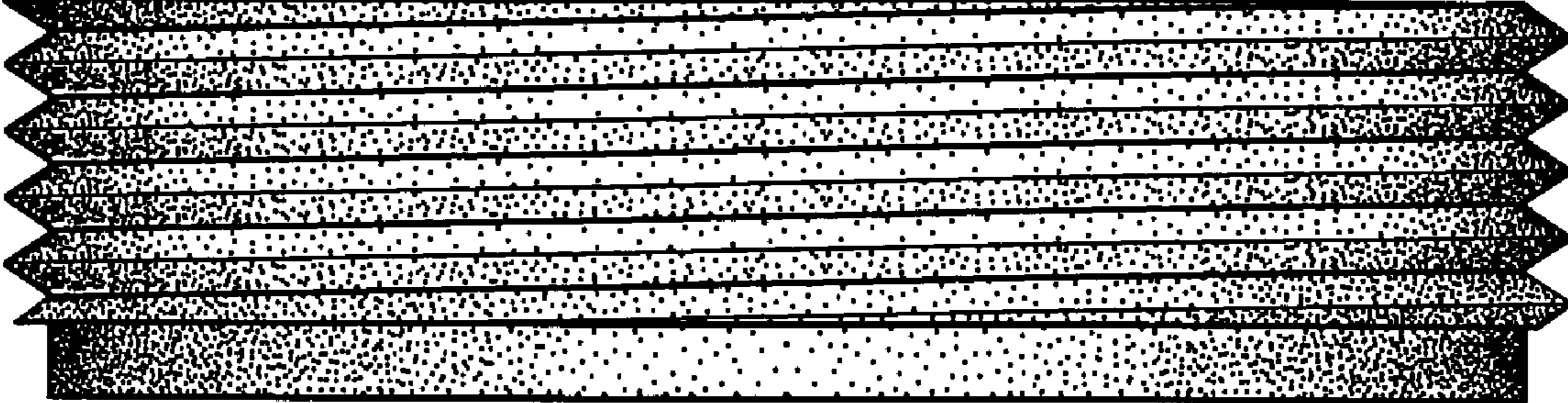


FIG. 6

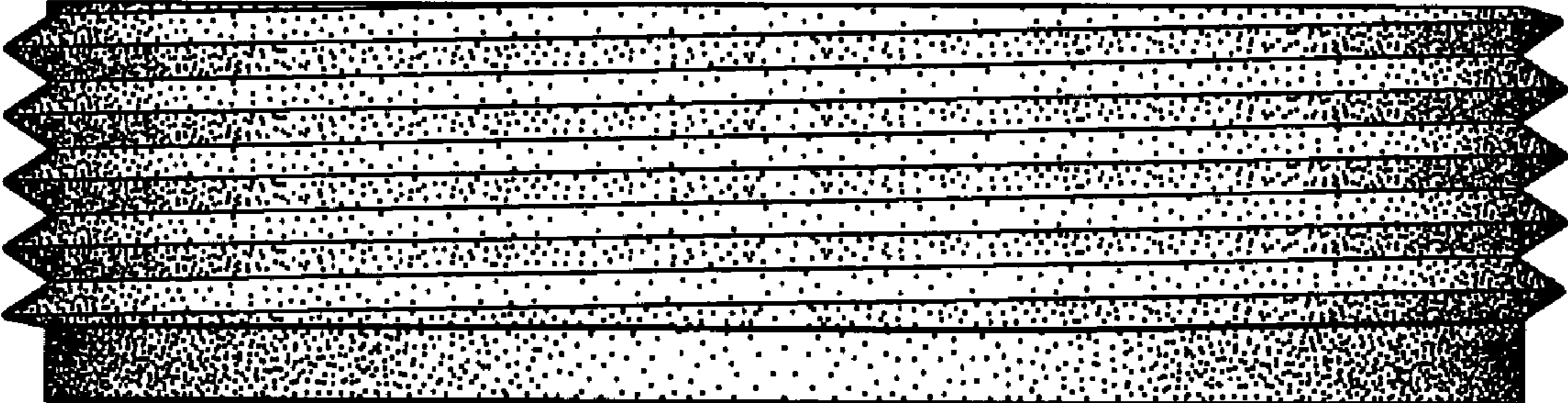


FIG. 7

