



US00D621479S

(12) **United States Design Patent**  
**McNerney**

(10) **Patent No.:** **US D621,479 S**

(45) **Date of Patent:** **\*\* Aug. 10, 2010**

(54) **PLASTER GUARD FOR A WALL MOUNTED FAUCET VALVE ASSEMBLY**

6,070,609 A \* 6/2000 Becker ..... 137/377  
D450,562 S \* 11/2001 Clark ..... D8/353  
D493,696 S \* 8/2004 Keenum et al. .... D8/353  
D584,596 S \* 1/2009 Doverspike ..... D8/354

(75) Inventor: **Gerald J. McNerney**, Noblesville, IN (US)

\* cited by examiner

(73) Assignee: **Masco Corporation of Indiana**, Indianapolis, IN (US)

*Primary Examiner*—Cathron C. Brooks

*Assistant Examiner*—Maurice Stevens

(74) *Attorney, Agent, or Firm*—Baker & Daniels LLP

(\*\*) Term: **14 Years**

(21) Appl. No.: **29/344,226**

(57) **CLAIM**

(22) Filed: **Sep. 25, 2009**

The ornamental design for a plaster guard for a wall mounted faucet valve assembly, as shown and described.

**Related U.S. Application Data**

**DESCRIPTION**

(63) Continuation of application No. 11/107,616, filed on Apr. 15, 2005.

FIG. 1 is a front perspective view of a plaster guard for a wall mounted faucet valve assembly of the present design application;

(51) **LOC (9) Cl.** ..... **23-01**

(52) **U.S. Cl.** ..... **D23/249**

FIG. 2 is a rear perspective view thereof;

(58) **Field of Classification Search** ..... D23/233,

D23/249; 137/359, 360, 377, 382; 4/492,

4/654, 657, 658; D8/349, 354, 380, 353;

248/62, 65, 68.1

FIG. 3 is a front elevational view thereof;

FIG. 4 is a rear elevational view thereof;

FIG. 5 is a left side elevational view thereof;

FIG. 6 is a right side elevational view thereof;

FIG. 7 is a top plan view thereof; and,

FIG. 8 is a bottom plan view thereof.

See application file for complete search history.

The broken lines in FIGS. 1-8 represent unclaimed portions of the plaster guard and form no part of the claimed design.

(56) **References Cited**

**U.S. PATENT DOCUMENTS**

D286,740 S \* 11/1986 Larsson ..... D8/353

4,896,381 A \* 1/1990 Hutto ..... 4/695

5,031,658 A \* 7/1991 Brattoli ..... 137/377

**1 Claim, 4 Drawing Sheets**

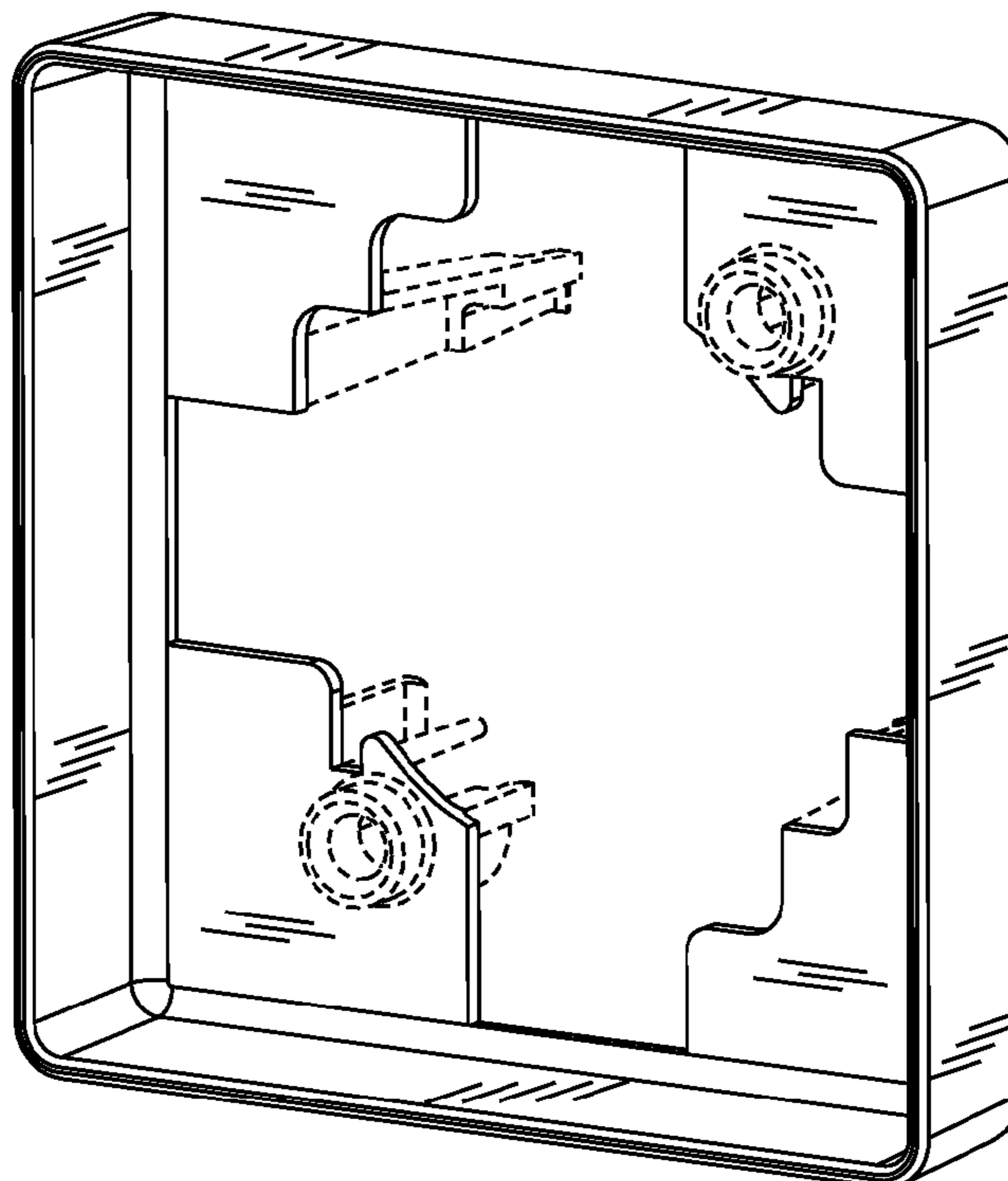


FIG. 1

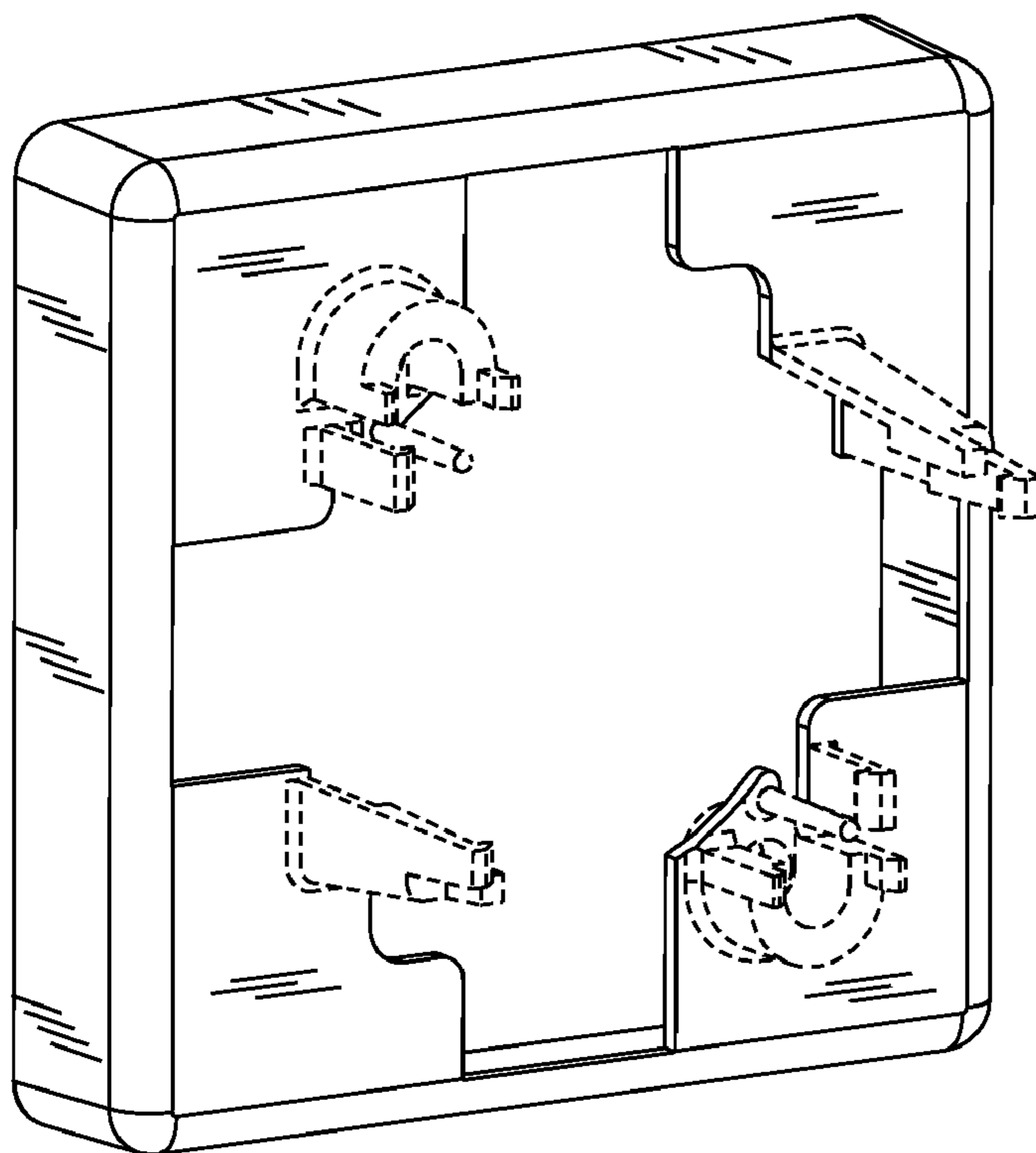
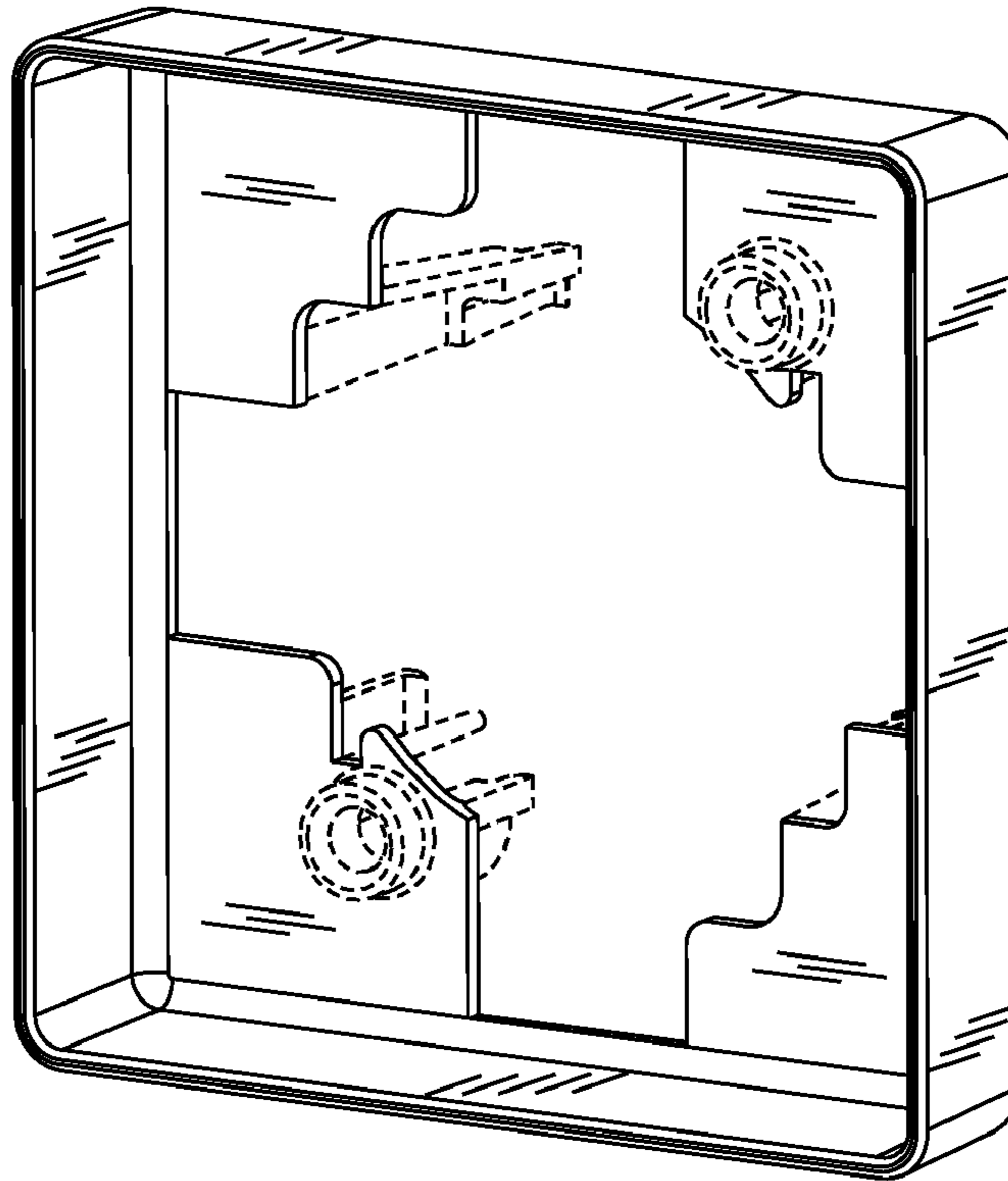


FIG. 2

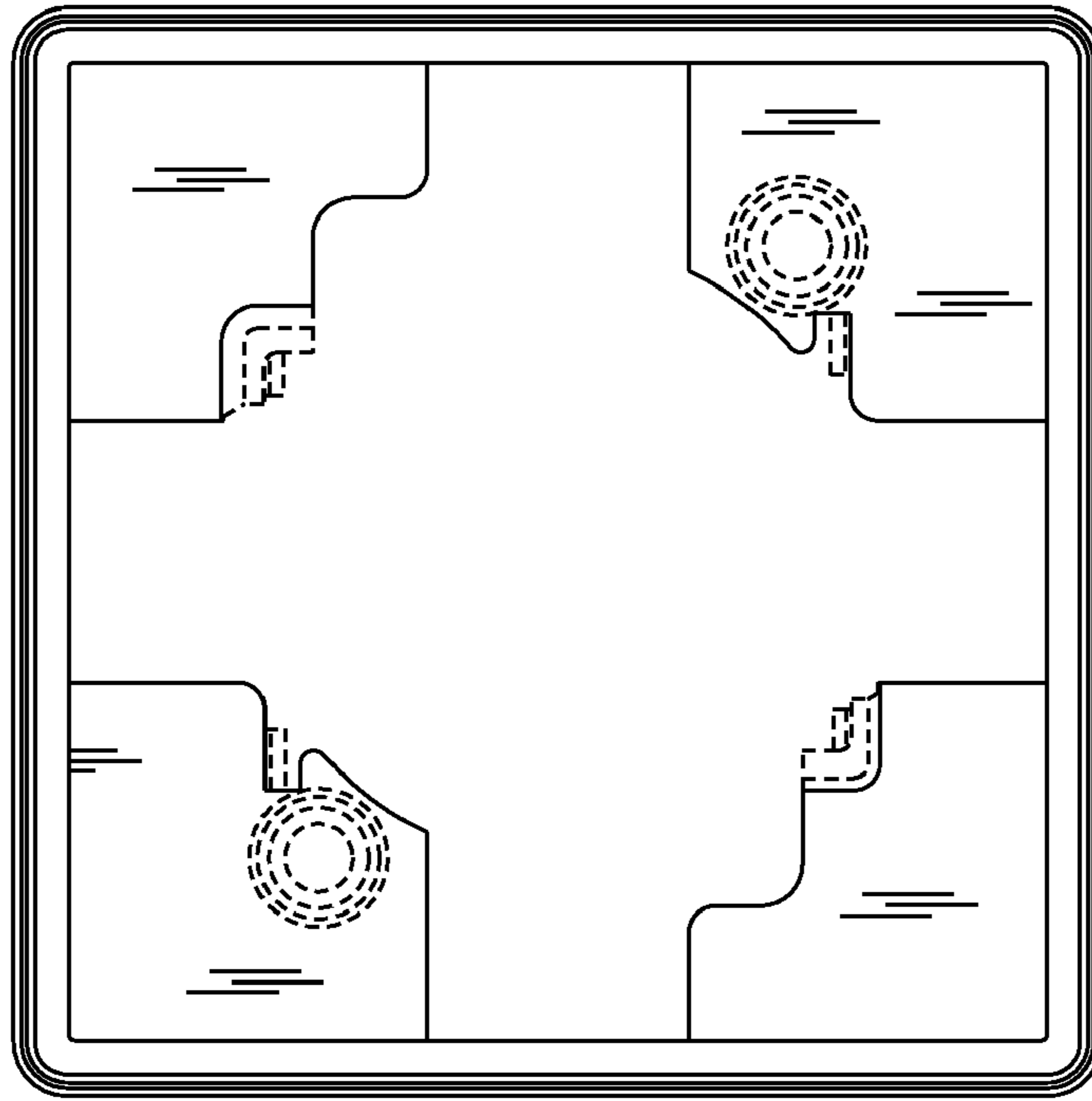


FIG. 3

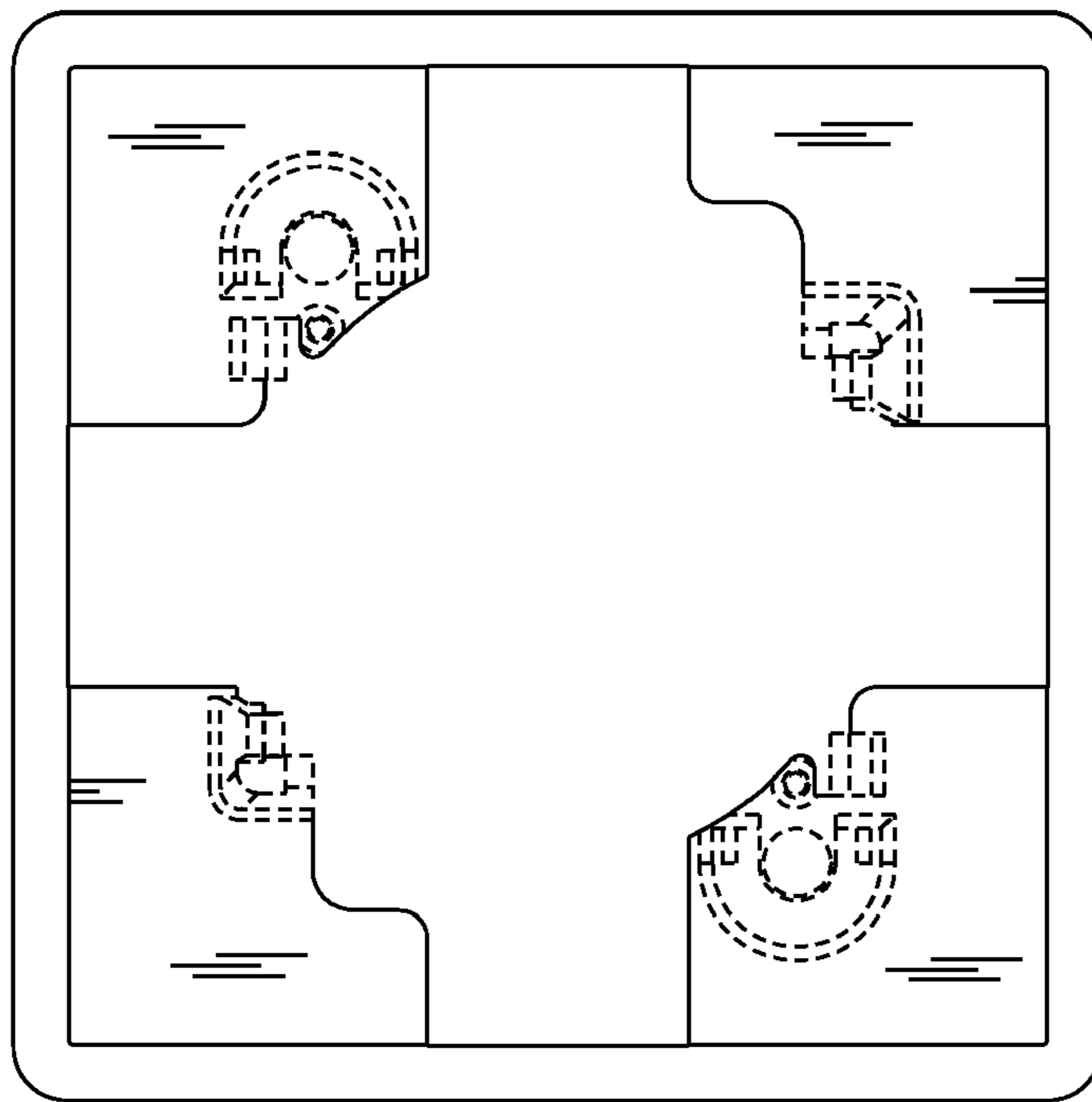


FIG. 4

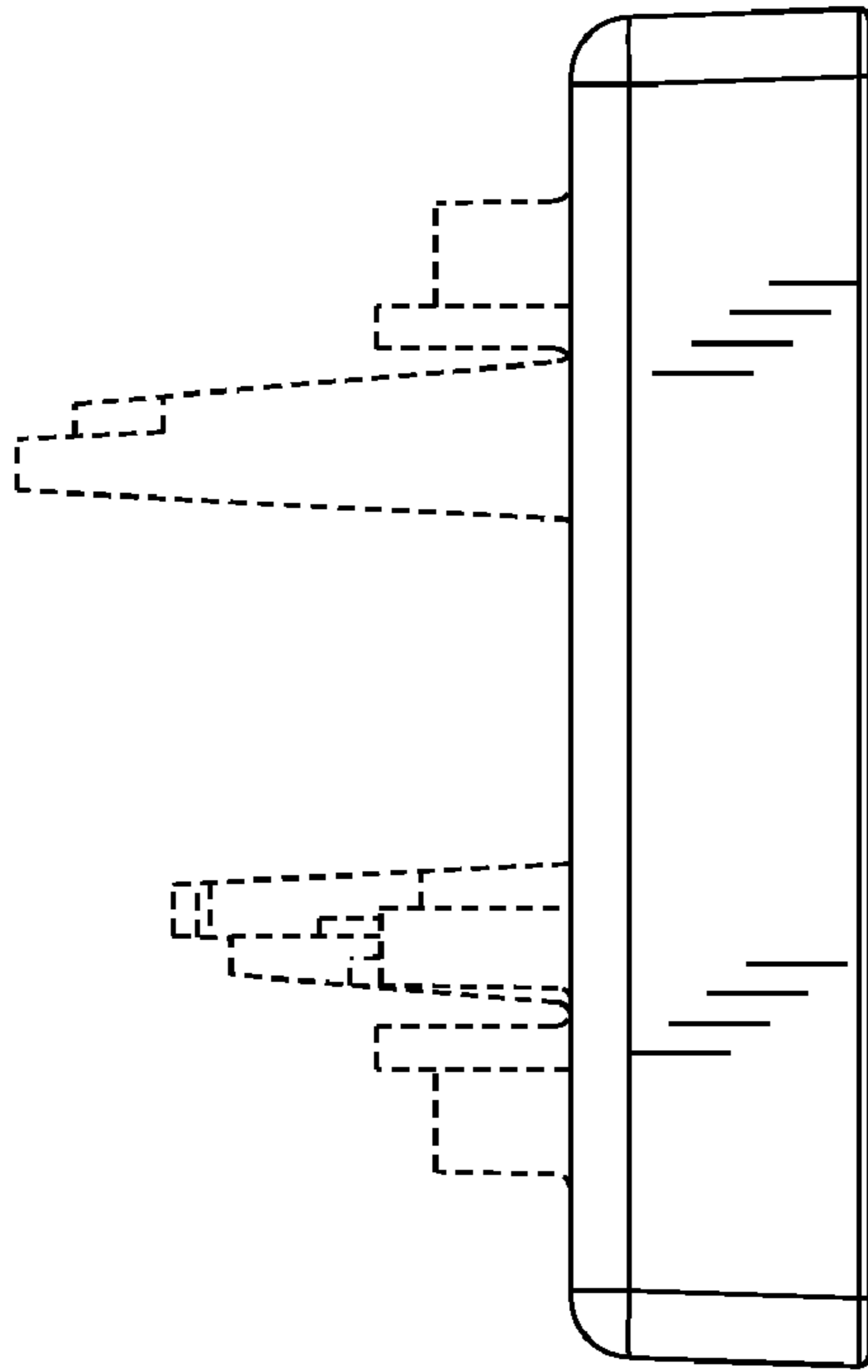


FIG. 5

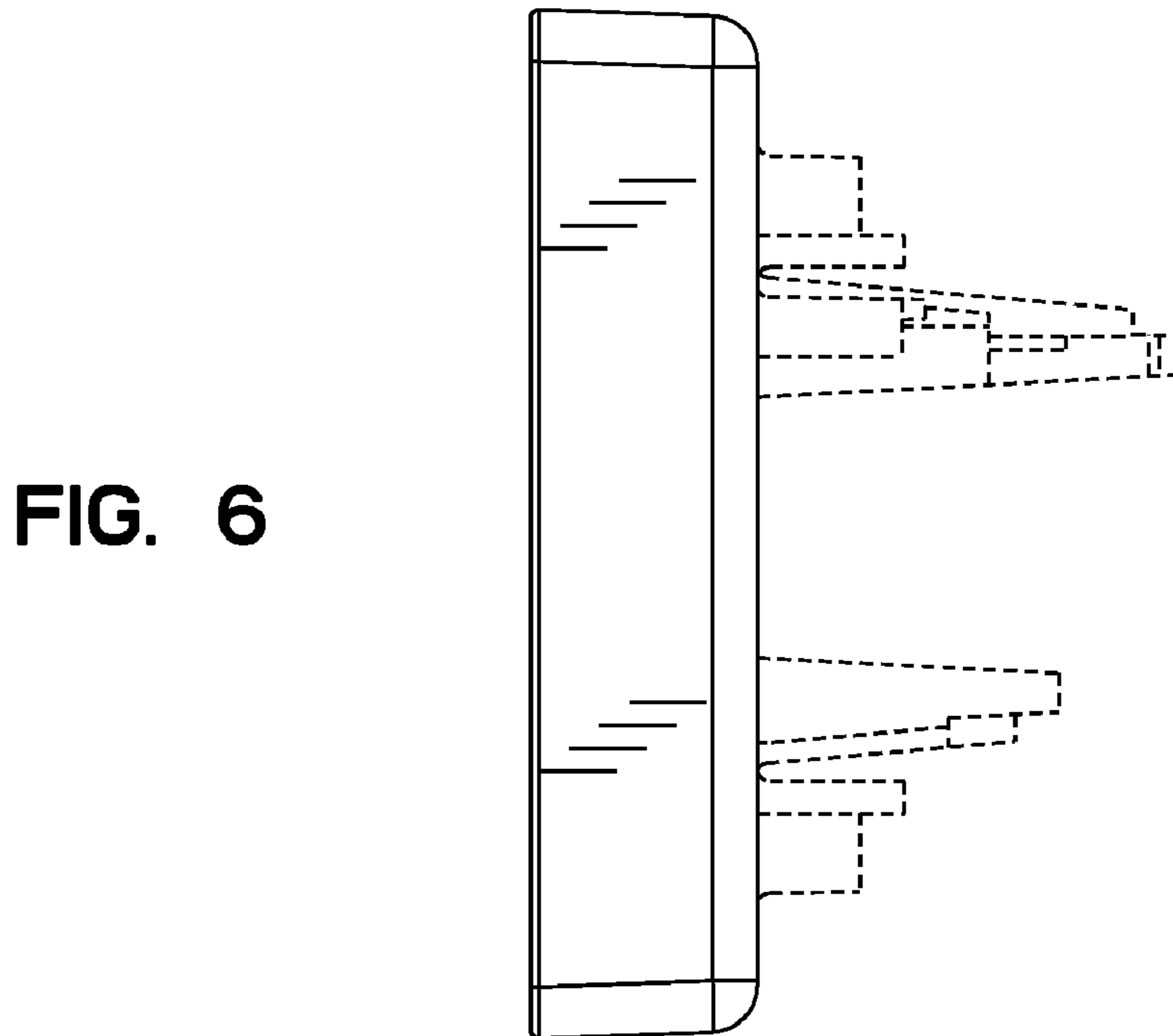


FIG. 6

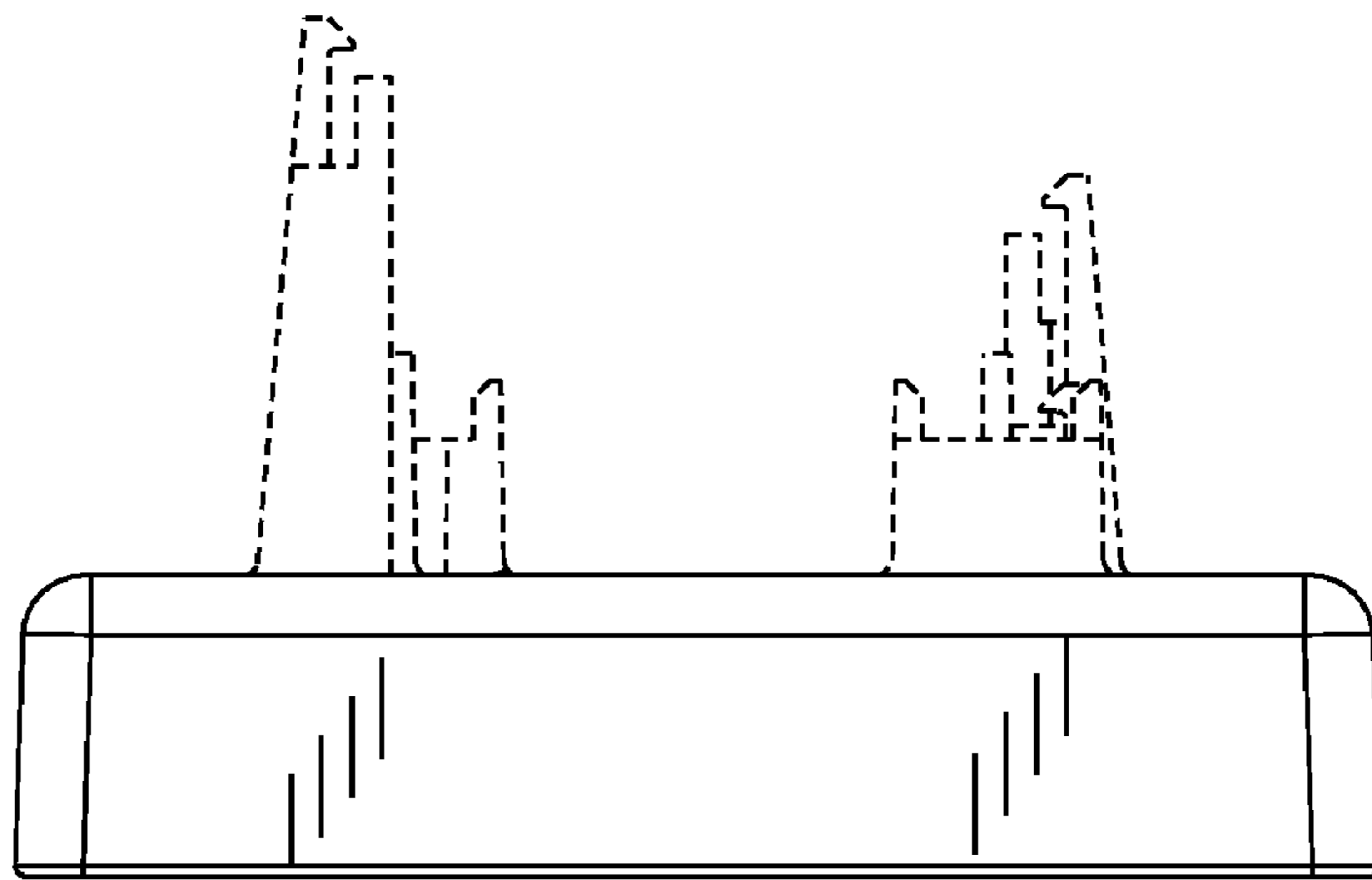


FIG. 7

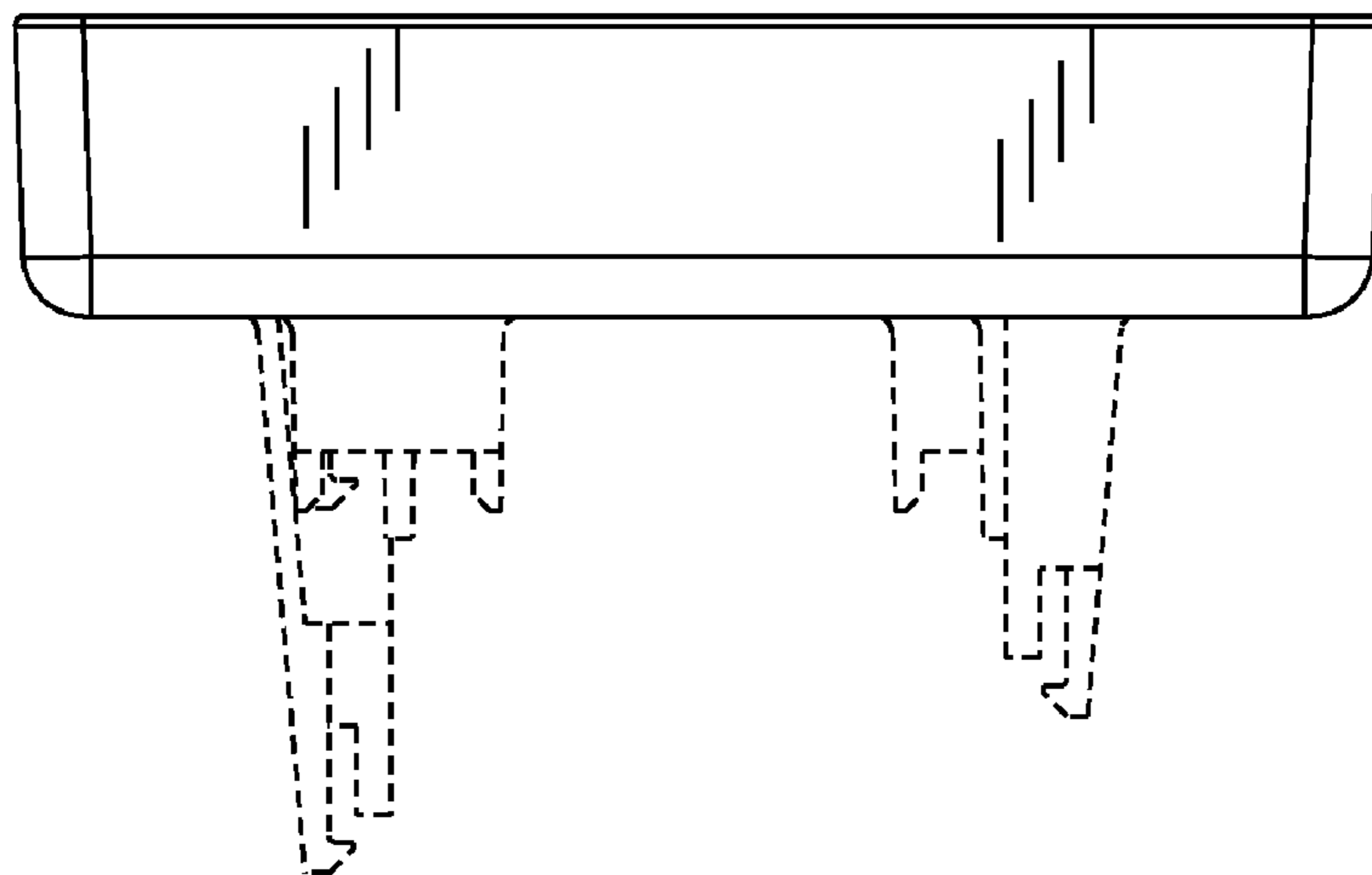


FIG. 8