



US00D621478S

(12) **United States Design Patent**  
**Kulig**

(10) **Patent No.:** **US D621,478 S**

(45) **Date of Patent:** **\*\* Aug. 10, 2010**

(54) **FAUCET**

(75) **Inventor:** **Zbigniew Kulig**, Wadworth, IL (US)

(73) **Assignee:** **Graff Faucets**, Milwaukee, WI (US)

(\*\*) **Term:** **14 Years**

(21) **Appl. No.:** **29/350,386**

(22) **Filed:** **Nov. 16, 2009**

(51) **LOC (9) Cl.** ..... **23-01**

(52) **U.S. Cl.** ..... **D23/242**

(58) **Field of Classification Search** ..... D23/200,  
D23/238-257; D6/512, 546, 550; D8/300,  
D8/307-308, 310-312, 321; 4/675-678;  
137/801; 16/110.1, 441

See application file for complete search history.

(56) **References Cited**

**U.S. PATENT DOCUMENTS**

|              |         |              |       |         |
|--------------|---------|--------------|-------|---------|
| D265,229 S * | 6/1982  | Paul         | ..... | D23/242 |
| D271,514 S * | 11/1983 | Paul         | ..... | D23/242 |
| D278,458 S * | 4/1985  | Paul         | ..... | D23/242 |
| D279,213 S * | 6/1985  | Paul         | ..... | D23/242 |
| D287,160 S * | 12/1986 | Rademacher   | ..... | D23/242 |
| D290,159 S * | 6/1987  | Jans         | ..... | D23/242 |
| D290,161 S * | 6/1987  | Paul         | ..... | D23/242 |
| D297,970 S * | 10/1988 | Paul         | ..... | D23/242 |
| D301,056 S * | 5/1989  | Paul         | ..... | D23/242 |
| D312,496 S * | 11/1990 | Strignano    | ..... | D23/242 |
| D313,065 S * | 12/1990 | Strignano    | ..... | D23/242 |
| D316,291 S * | 4/1991  | Razumov      | ..... | D23/242 |
| D317,349 S * | 6/1991  | Rodstein     | ..... | D23/242 |
| D318,902 S * | 8/1991  | Razumov      | ..... | D23/242 |
| D321,752 S * | 11/1991 | Paul         | ..... | D23/242 |
| D511,816 S   | 11/2005 | Kulig        |       |         |
| D512,125 S   | 11/2005 | Kulig        |       |         |
| D512,487 S   | 12/2005 | Kulig et al. |       |         |

|              |         |               |       |         |
|--------------|---------|---------------|-------|---------|
| D529,994 S   | 10/2006 | Kulig         |       |         |
| D546,421 S   | 7/2007  | Kulig et al.  |       |         |
| D566,815 S * | 4/2008  | Wang          | ..... | D23/242 |
| D570,451 S * | 6/2008  | Dolan         | ..... | D23/242 |
| D573,231 S * | 7/2008  | Kulig         | ..... | D23/242 |
| D579,521 S   | 10/2008 | Kulig         |       |         |
| D602,123 S * | 10/2009 | Sieger        | ..... | D23/242 |
| D602,570 S * | 10/2009 | Lammel et al. | ..... | D23/242 |

**OTHER PUBLICATIONS**

Blanco America, Quadris Kitchen Faucet, [http://www.blancoamerica.com/\\_Faucets/157-172-CR.htm?tmp=faucet](http://www.blancoamerica.com/_Faucets/157-172-CR.htm?tmp=faucet) (Oct. 29, 2009).

\* cited by examiner

*Primary Examiner*—T. Chase Nelson

*Assistant Examiner*—Mark Cavanna

(74) *Attorney, Agent, or Firm*—Boyle Fredrickson, S.C.

(57) **CLAIM**

The ornamental design for a faucet, as shown and described.

**DESCRIPTION**

FIG. 1 is perspective view of a faucet incorporating my new design, viewed from in front of, above, and from the left side of the faucet;

FIG. 2 is a right-side elevation view thereof;

FIG. 3 is a left-side elevation view thereof;

FIG. 4 is a front elevation view thereof;

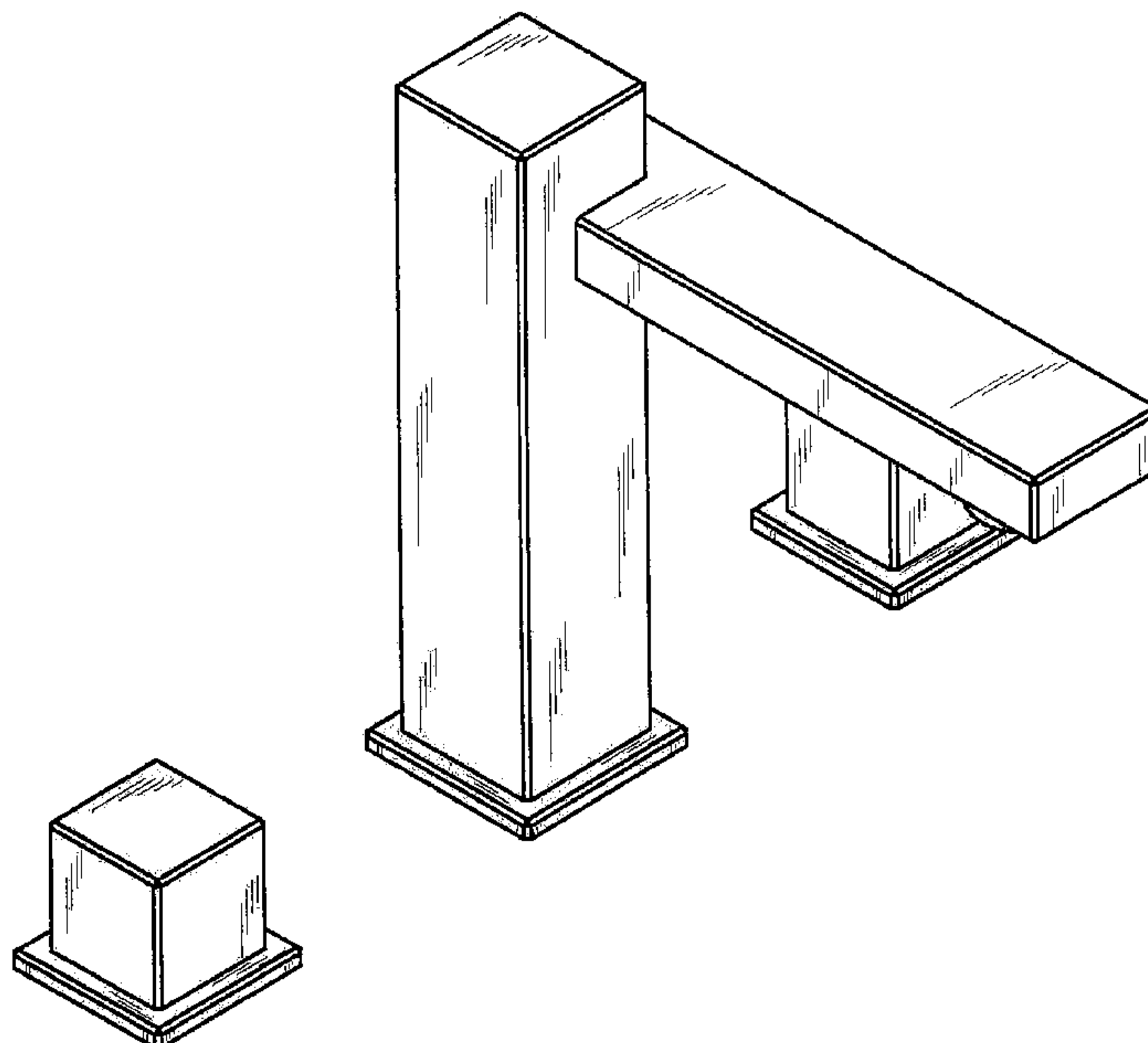
FIG. 5 is a rear elevation view thereof;

FIG. 6 is a top plan view thereof; and,

FIG. 7 is a bottom plan view thereof.

The broken lines in FIG. 7 are for illustrative purposes only and form no part of the claimed design.

**1 Claim, 7 Drawing Sheets**



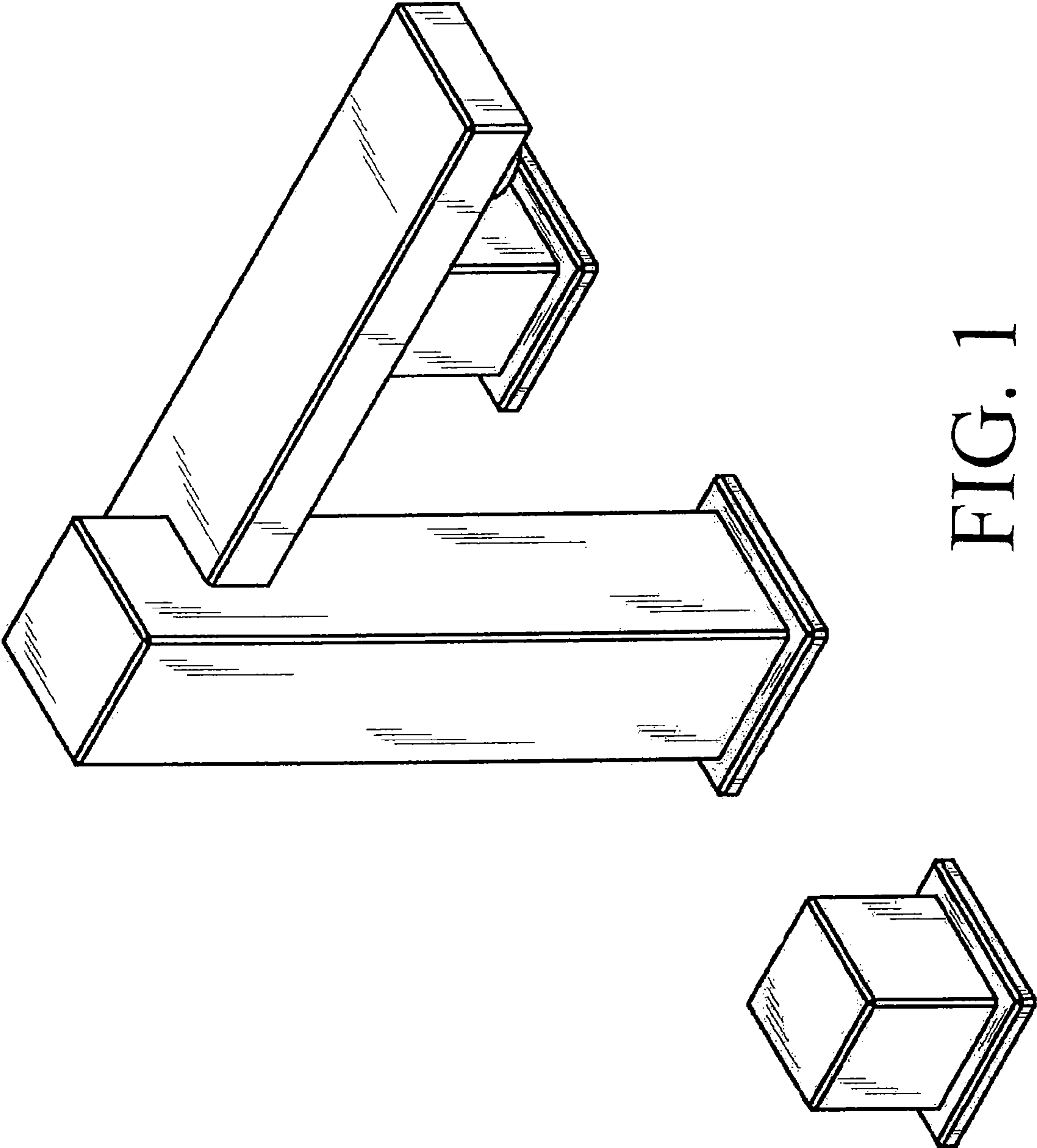


FIG. 1



FIG. 2



FIG. 3

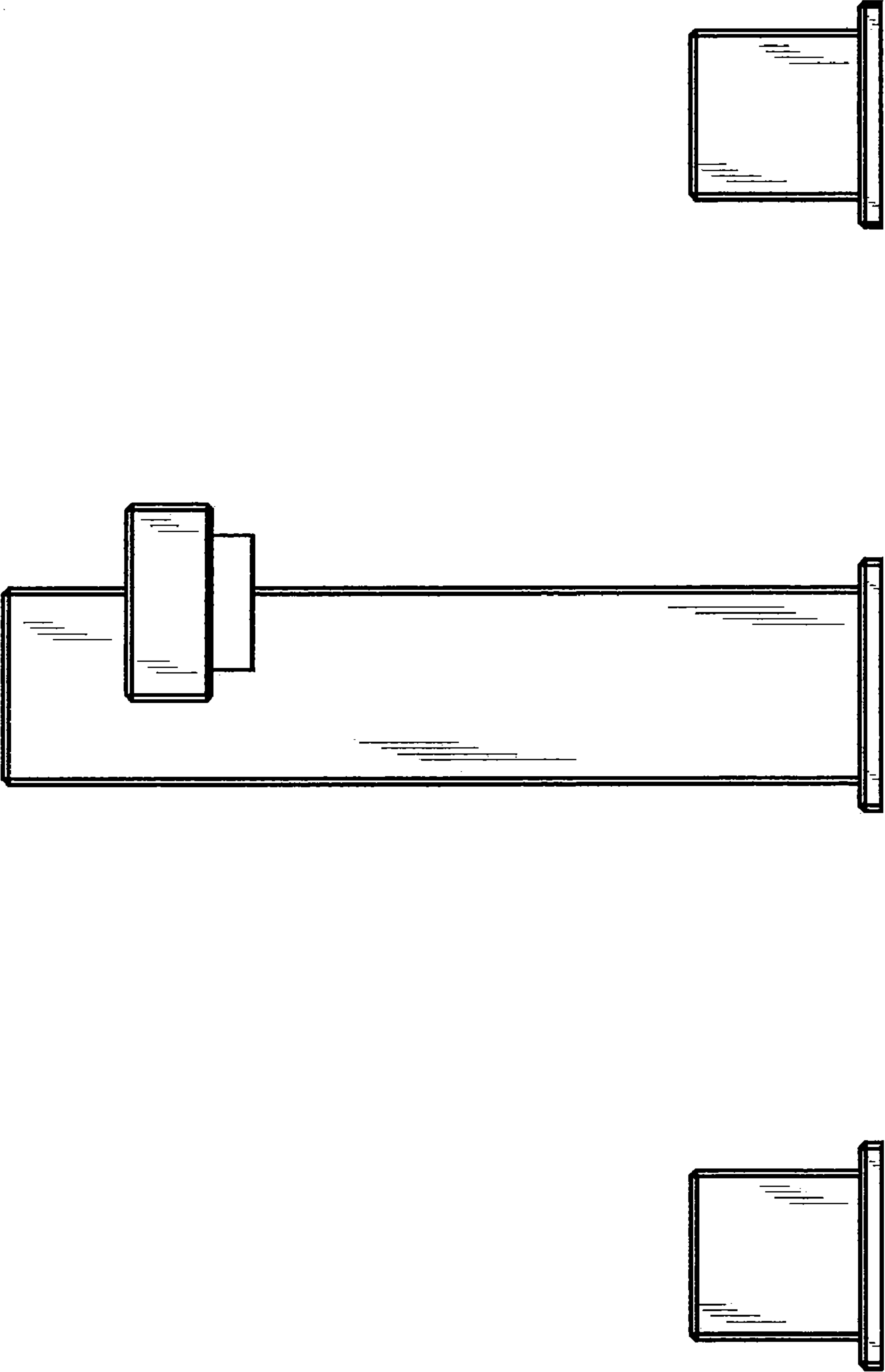


FIG. 4

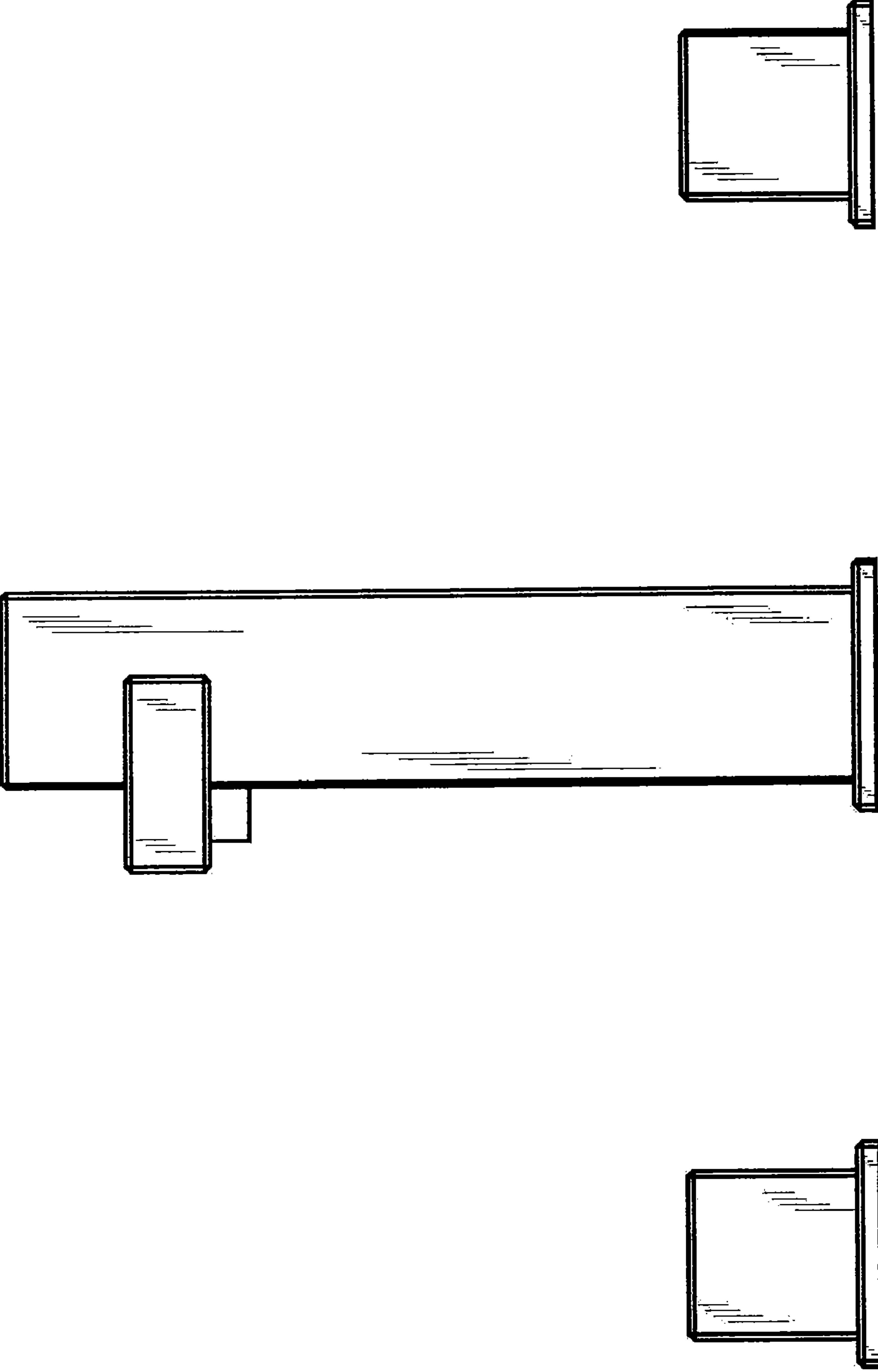


FIG. 5

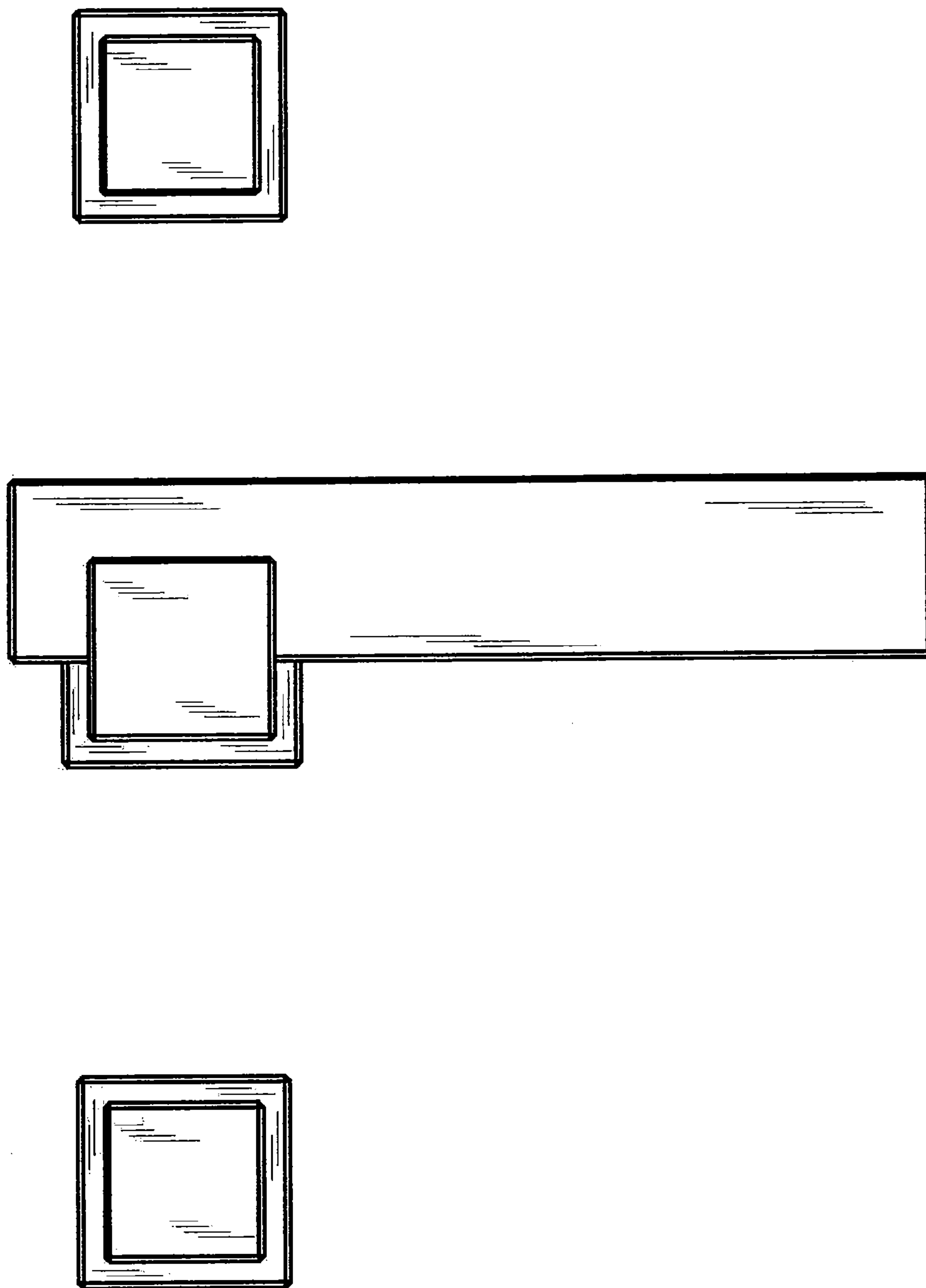


FIG. 6

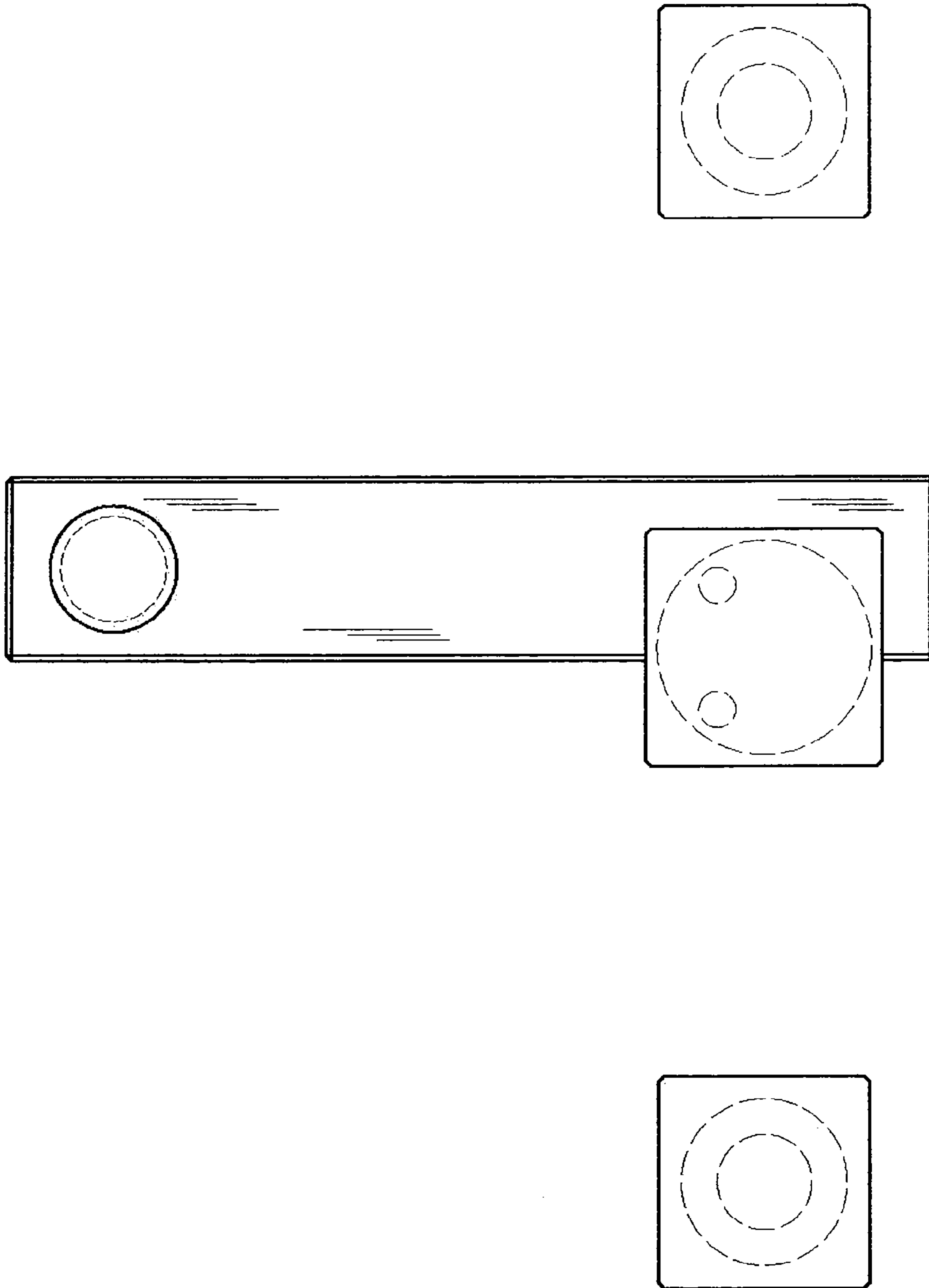


FIG. 7