

US00D621475S

(12) **United States Design Patent**
Matsumoto

(10) **Patent No.:** **US D621,475 S**

(45) **Date of Patent:** **** Aug. 10, 2010**

(54) **EXPANSION VALVE OF AN AIR
CONDITIONING SYSTEM**

(75) Inventor: **Michio Matsumoto**, Tokyo (JP)

(73) Assignee: **TGK Co., Ltd.**, Tokyo (JP)

(**) Term: **14 Years**

(21) Appl. No.: **29/306,619**

(22) Filed: **Apr. 11, 2008**

(30) **Foreign Application Priority Data**

Oct. 11, 2007 (JP) 2007-027791

(51) **LOC (9) Cl.** **23-01**

(52) **U.S. Cl.** **D23/233**

(58) **Field of Classification Search** D23/233-237,
D23/244-249; 137/625.48; 251/14, 64;
62/222-225, 197, 115, 527, 210; 236/63-64,
236/66, 92 B; 285/189, 208, 211, 368

See application file for complete search history.

(56) **References Cited**

U.S. PATENT DOCUMENTS

D427,285 S * 6/2000 Watanabe D23/233
D494,658 S * 8/2004 Kobayashi et al. D23/233
D532,080 S * 11/2006 Kobayashi et al. D23/233
D546,921 S * 7/2007 Kobayashi et al. D23/233
D589,118 S * 3/2009 Watanabe D23/233

FOREIGN PATENT DOCUMENTS

JP 1059489 1/2000

OTHER PUBLICATIONS

JPO, "Decision of Refusal", *Expansion Valve for Air Conditioner*,
Dispatch No. 008800, TGK07-056, Mar. 3, 2009, incorporating
Design app. No. 2007-027791.

* cited by examiner

Primary Examiner—Cathron C. Brooks

Assistant Examiner—Maurice Stevens

(74) *Attorney, Agent, or Firm*—Martine Penilla &
Gencarella, LLP

(57) **CLAIM**

The ornamental design for an expansion valve of an air con-
ditioning, as shown and described.

DESCRIPTION

FIG. 1 is a perspective view of an expansion valve of an air
conditioning system;

FIG. 2 is a front view thereof;

FIG. 3 is a rear view thereof;

FIG. 4 is a right side view thereof;

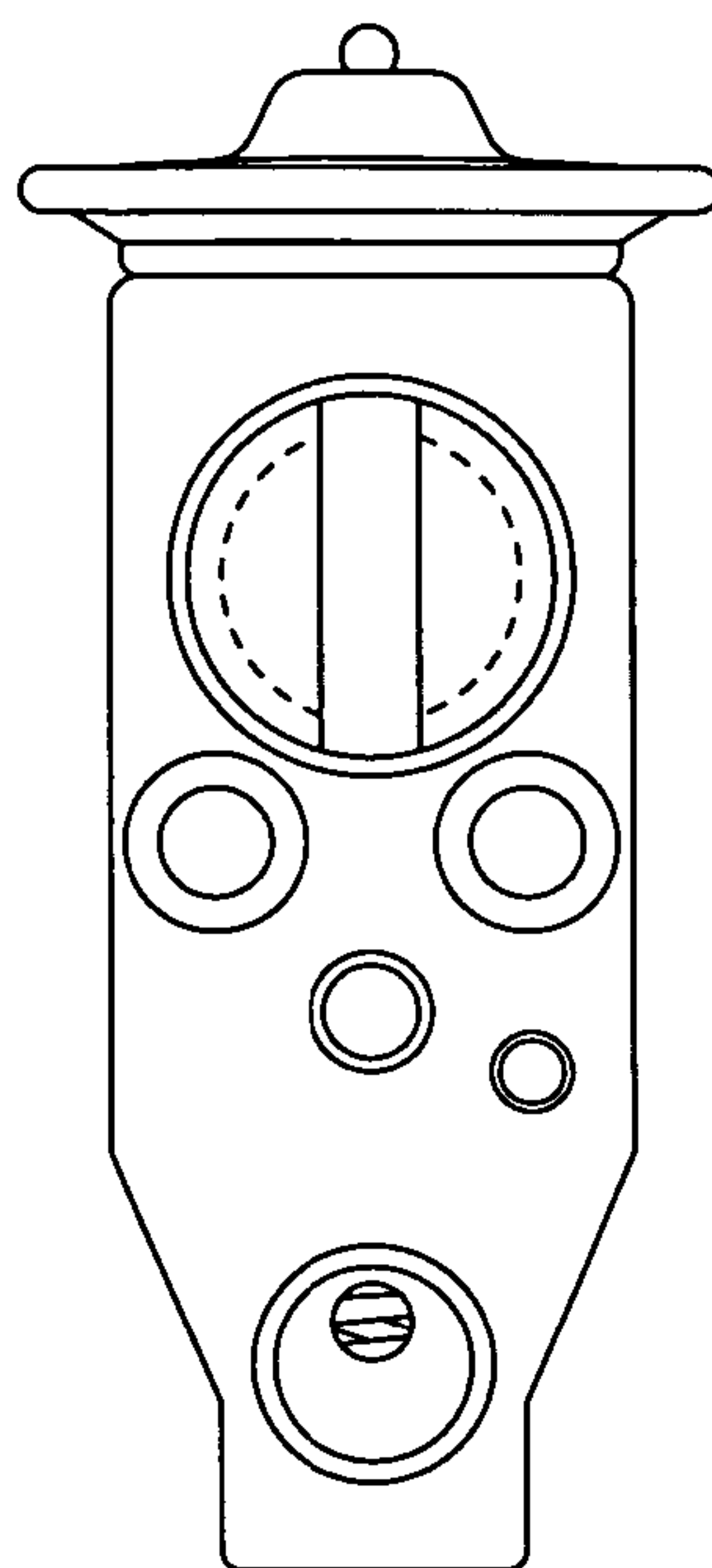
FIG. 5 is a left side view thereof;

FIG. 6 is a top view thereof; and,

FIG. 7 is a bottom view thereof.

The broken line shown in FIGS. 2, 3, 7 are unclaimed portions
of the expansion valve and form no part of the claimed design.

1 Claim, 2 Drawing Sheets



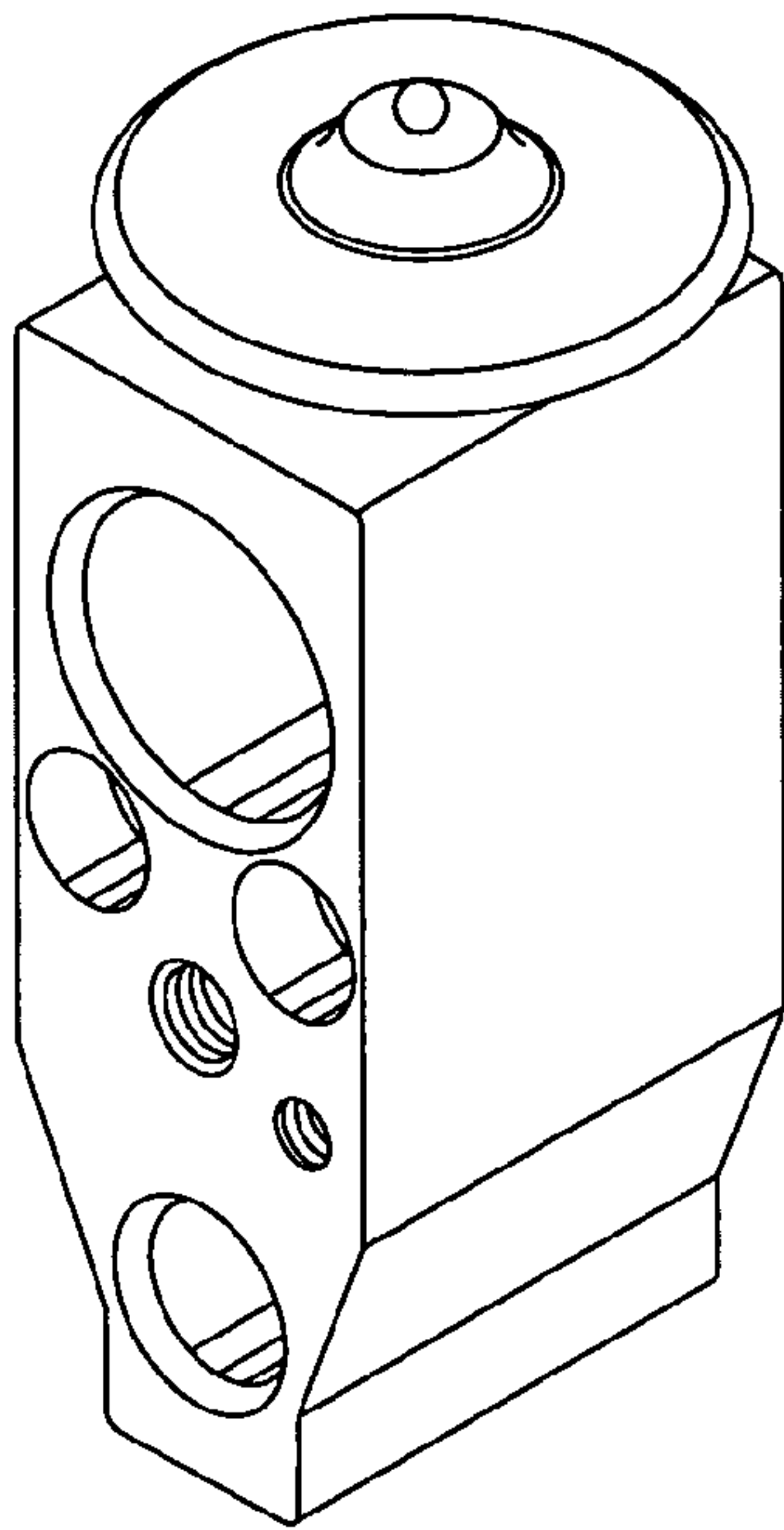


FIG. 1

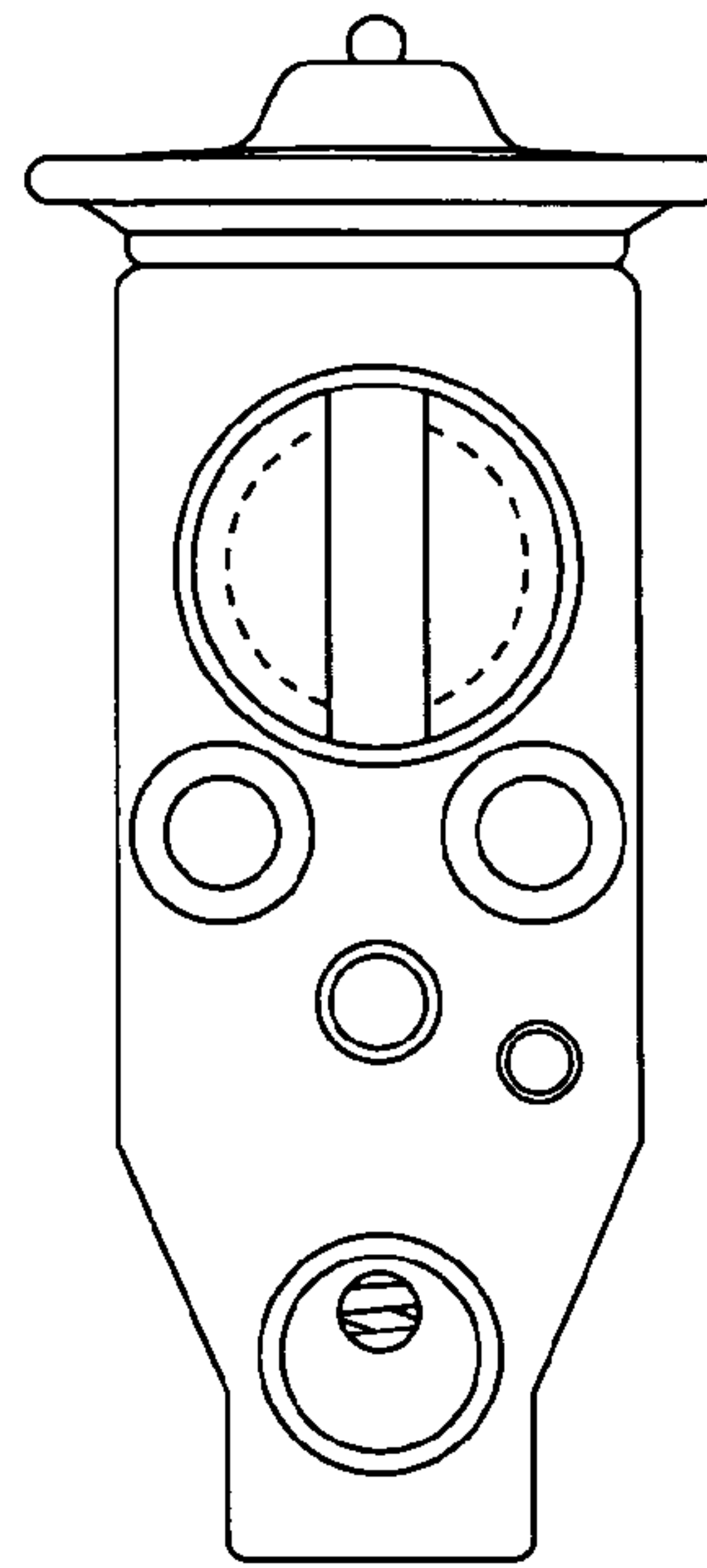


FIG. 2

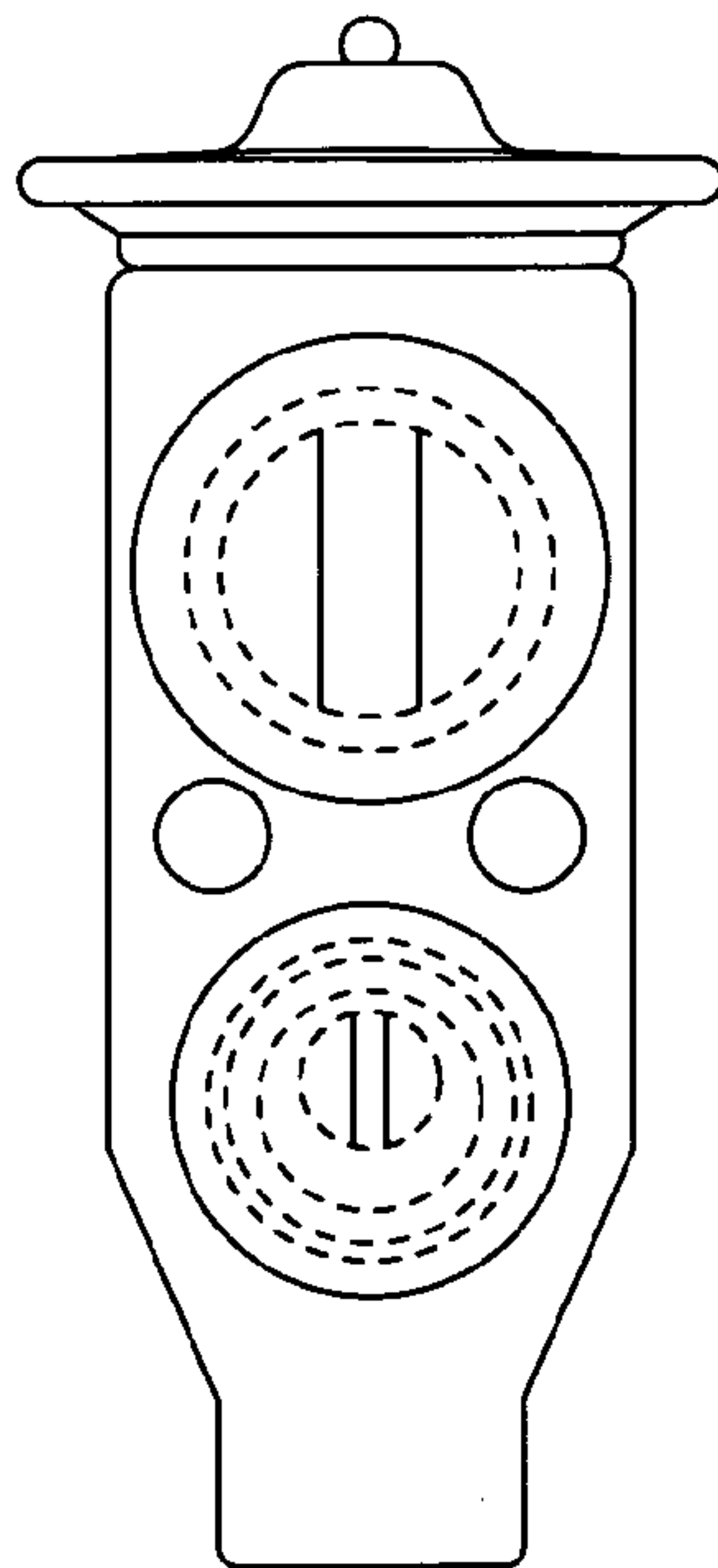


FIG. 3

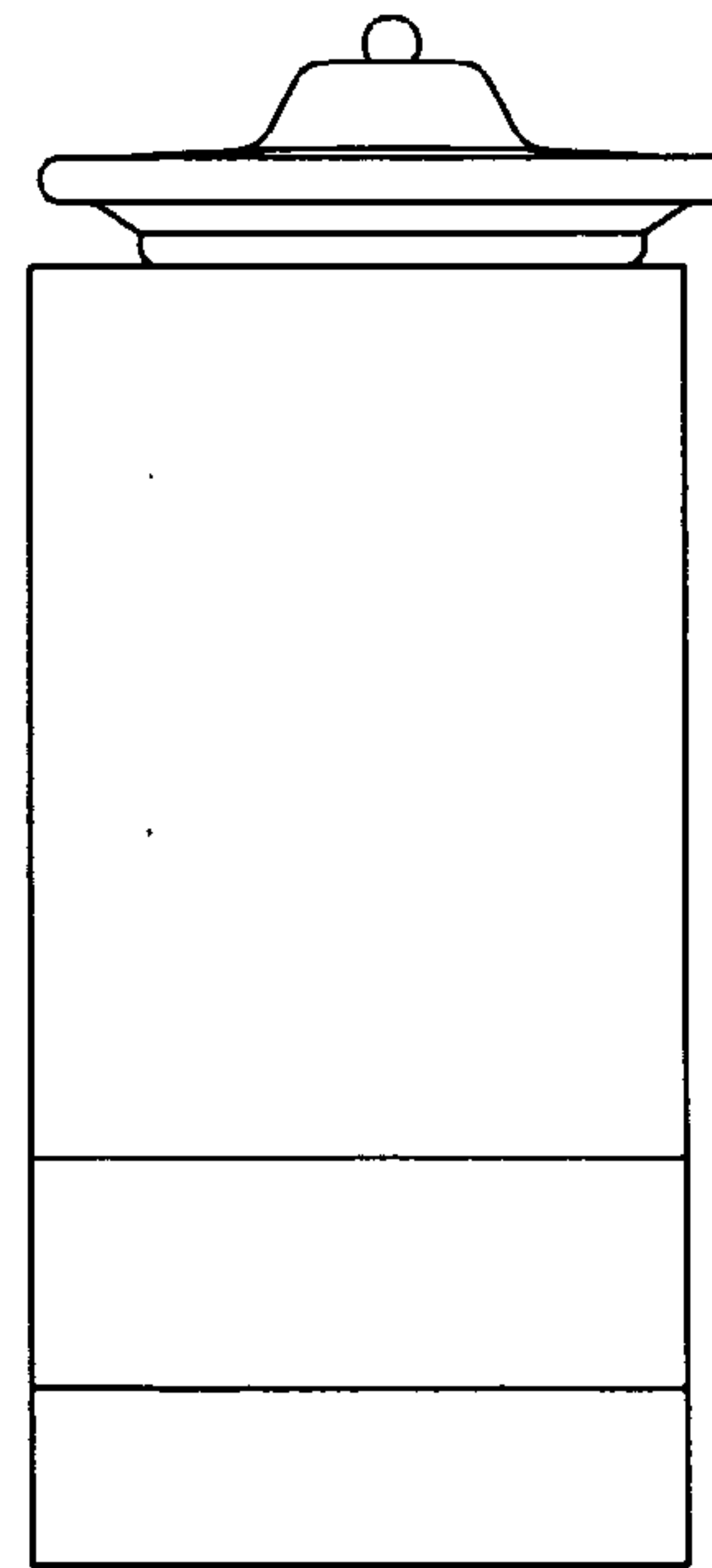


FIG. 4

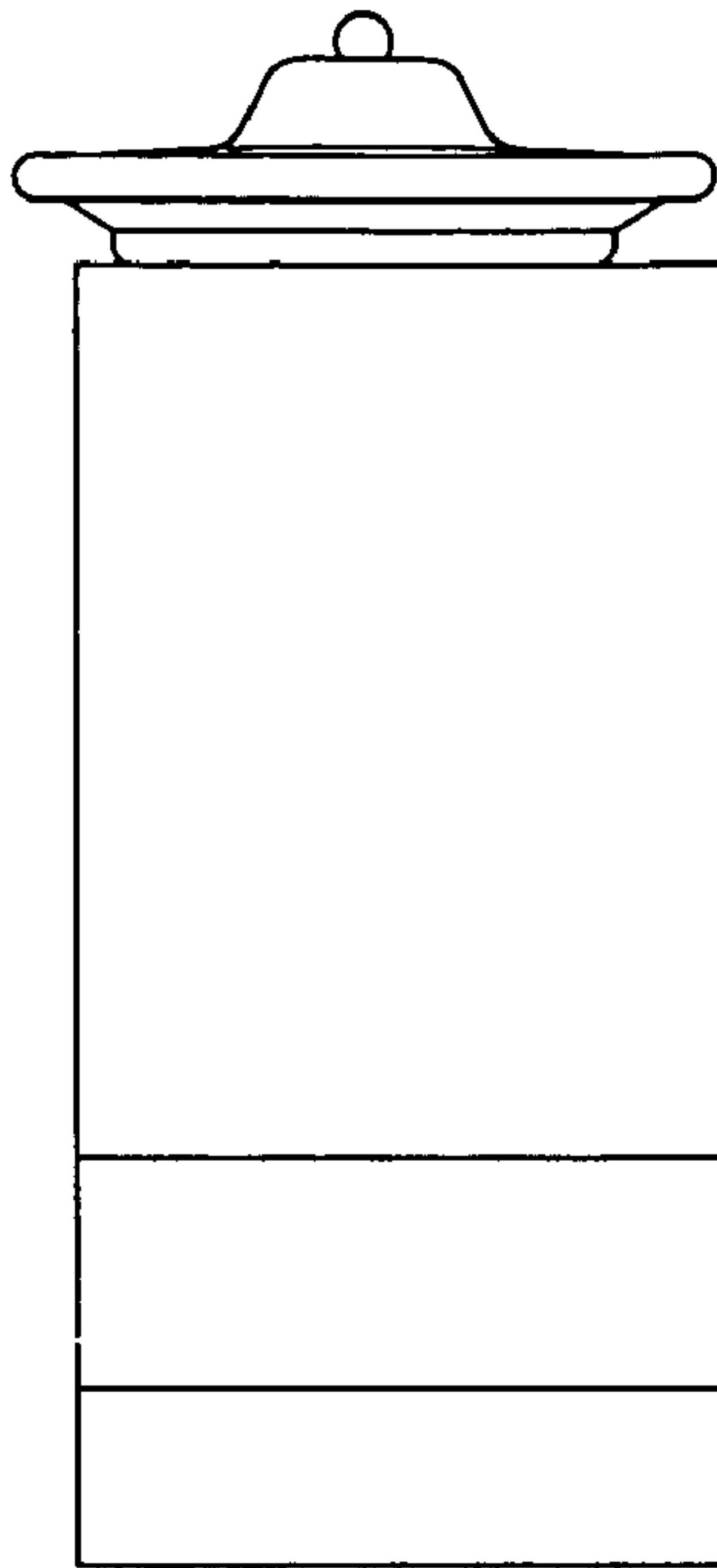


FIG. 5

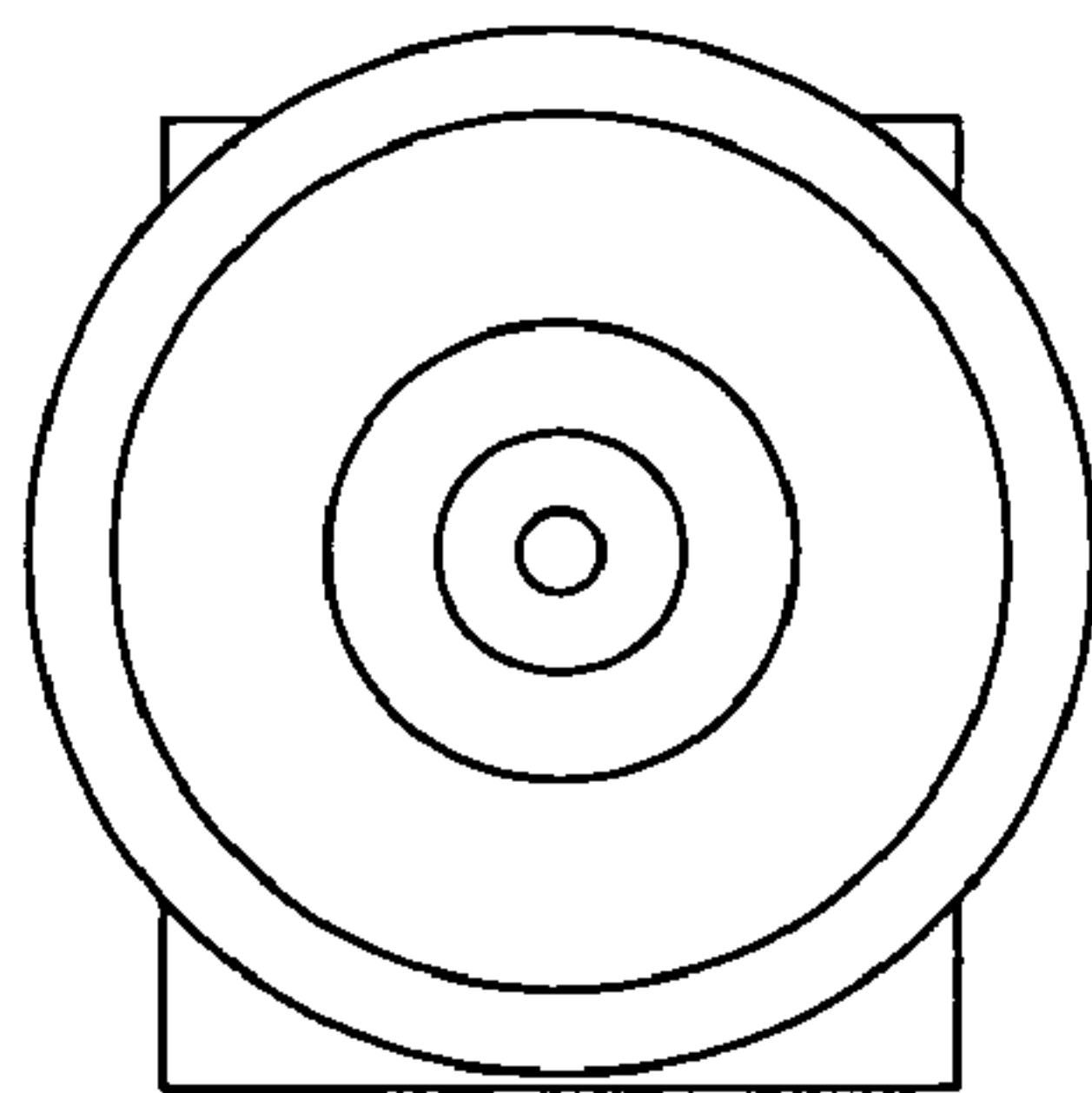


FIG. 6

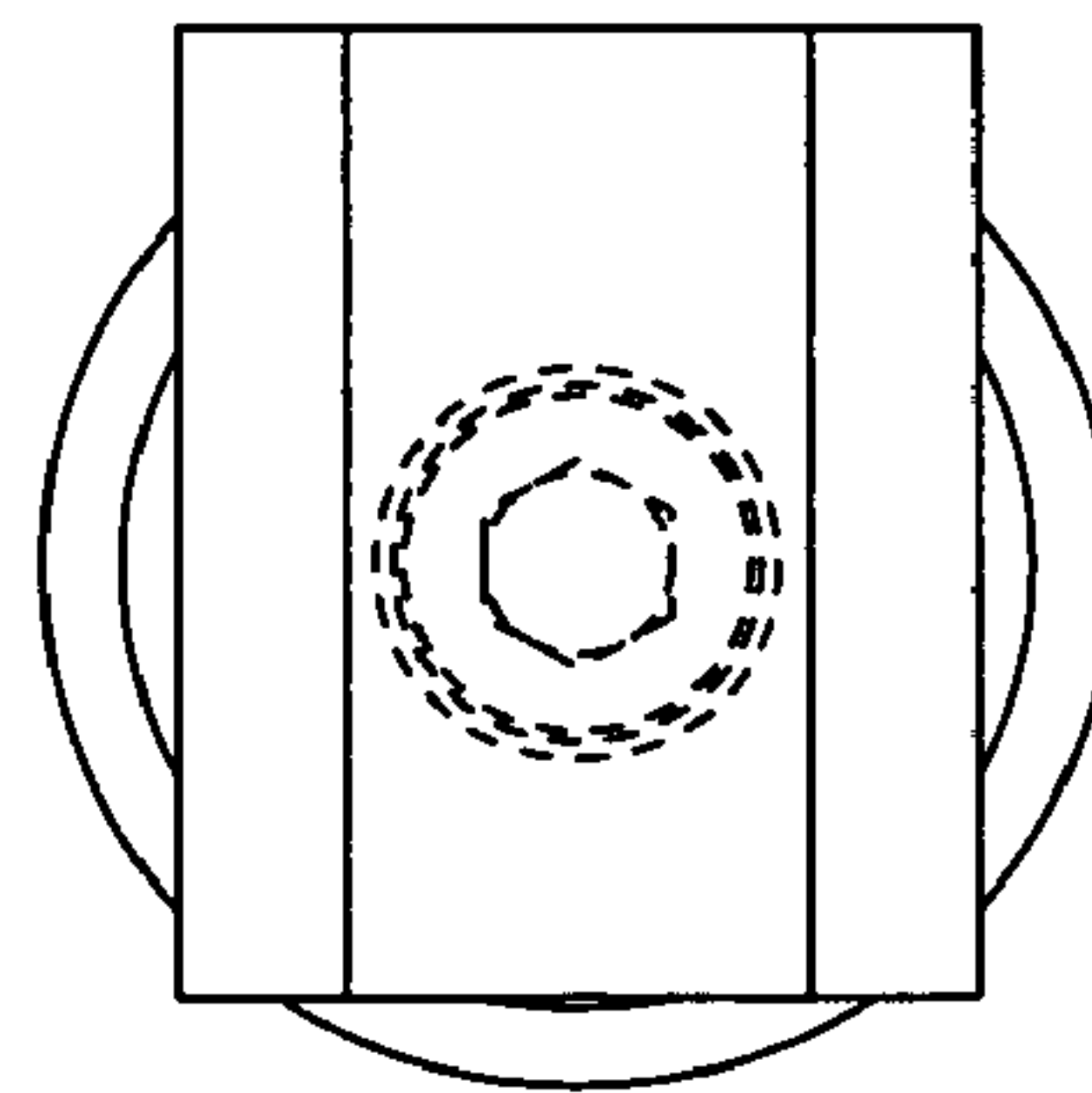


FIG. 7