



US00D621474S

(12) **United States Design Patent**  
**Kwok**

(10) **Patent No.:** **US D621,474 S**

(45) **Date of Patent:** **\*\* Aug. 10, 2010**

(54) **HANDHELD SHOWER**

D549,302 S \* 8/2007 Haug et al. .... D23/213  
D591,826 S \* 5/2009 Lobermeier .... D23/213

(75) Inventor: **Celine Kwok**, Indianapolis, IN (US)

\* cited by examiner

(73) Assignee: **Masco Corporation of Indiana**,  
Indianapolis, IN (US)

*Primary Examiner*—Robin V Webster

(74) *Attorney, Agent, or Firm*—Edgar A. Zarins; Nirav D. Parikh

(\*\*) Term: **14 Years**

(57) **CLAIM**

(21) Appl. No.: **29/354,436**

The ornamental design for a handheld shower, as shown and described.

(22) Filed: **Jan. 25, 2010**

(51) **LOC (9) Cl.** ..... **23-01**

(52) **U.S. Cl.** ..... **D23/223**

(58) **Field of Classification Search** ..... D23/213,  
D23/223, 229–230; 239/394, 282, 283  
See application file for complete search history.

**DESCRIPTION**

FIG. 1 is a perspective view of a handheld shower showing my new design;

FIG. 2 is a bottom end view thereof;

FIG. 3 is a top end view thereof;

FIG. 4 is a rear view thereof;

FIG. 5 is a right side view thereof, the opposite side being a mirror image of the side shown; and,

FIG. 6 is a front view thereof.

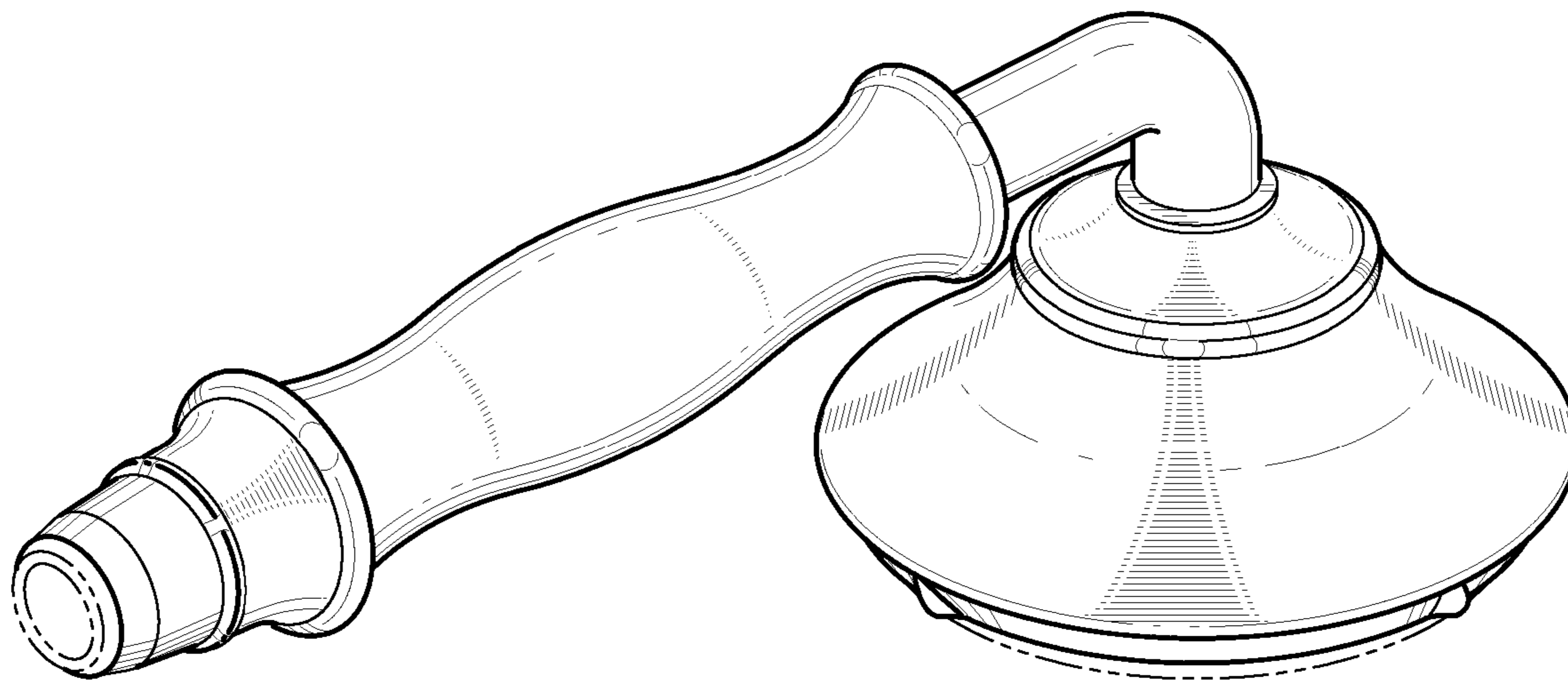
The broken line showing of the face and bottom end of the handheld shower is included for the purpose of illustrating and forms no part of the claimed design.

(56) **References Cited**

U.S. PATENT DOCUMENTS

D465,553 S \* 11/2002 Singtoroj ..... D23/229  
D484,945 S \* 1/2004 Ouyoung ..... D23/213  
D498,816 S \* 11/2004 Egee ..... D23/213  
D524,905 S \* 7/2006 Hoernig ..... D23/213  
D538,390 S \* 3/2007 Sallick et al. .... D23/213

**1 Claim, 2 Drawing Sheets**



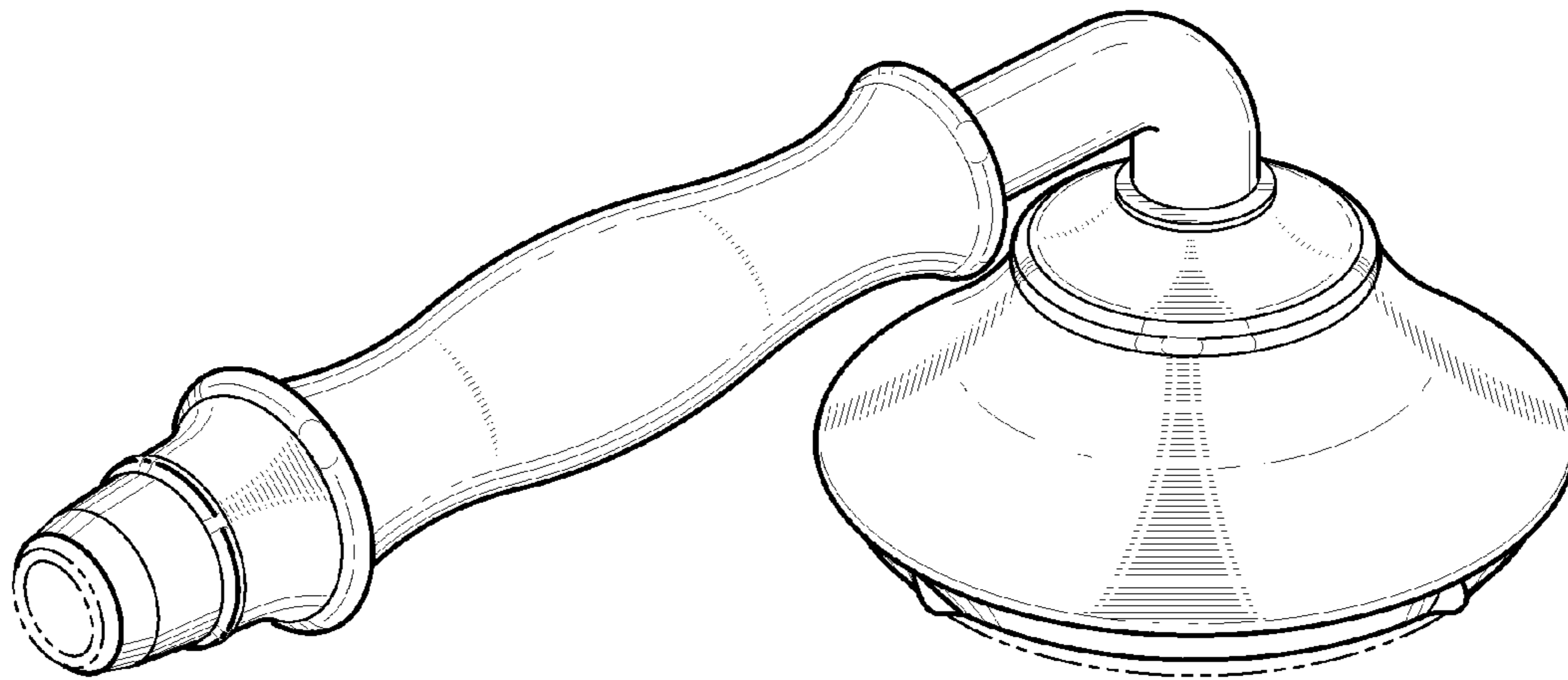


Fig-1

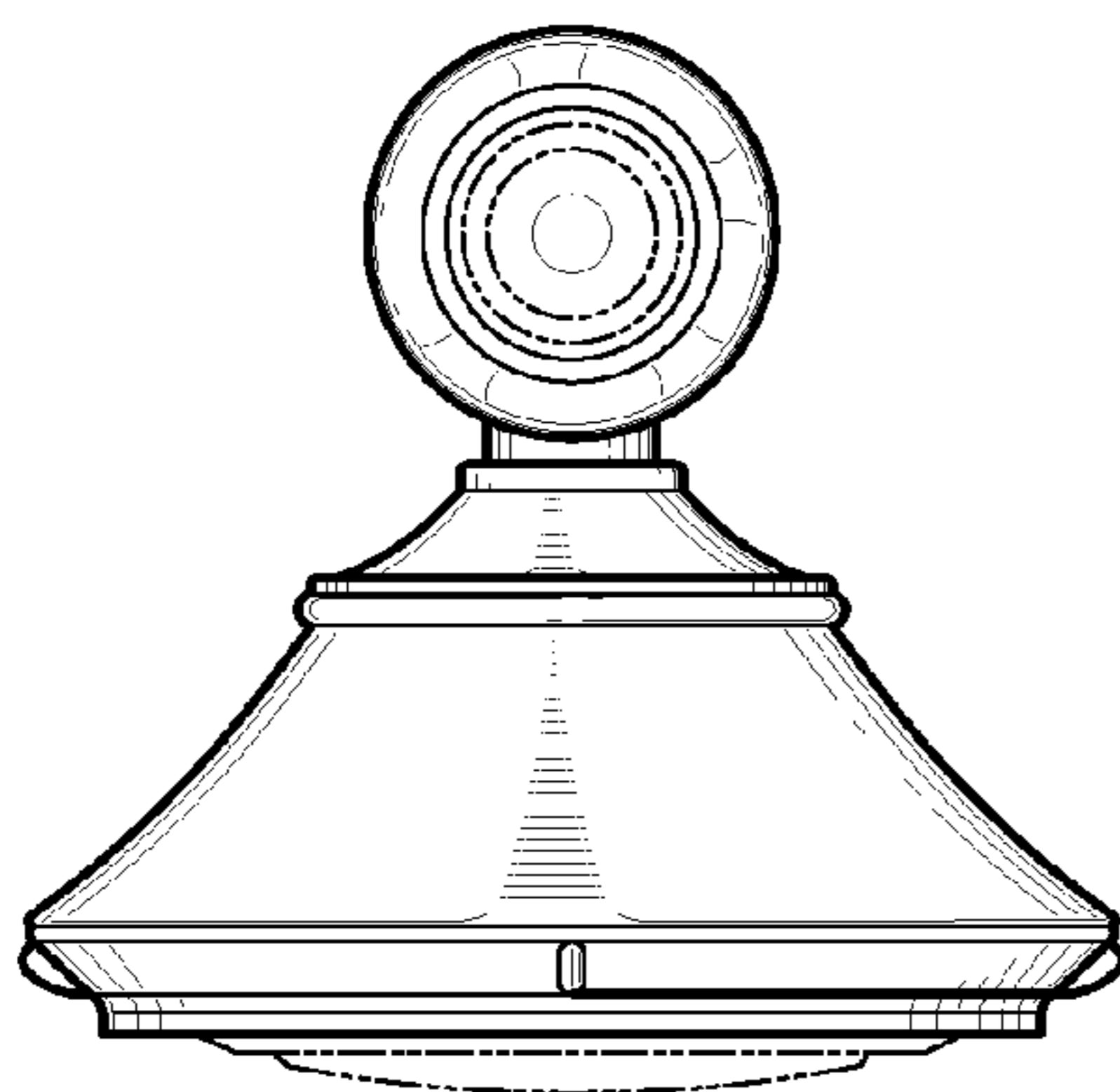


Fig-2

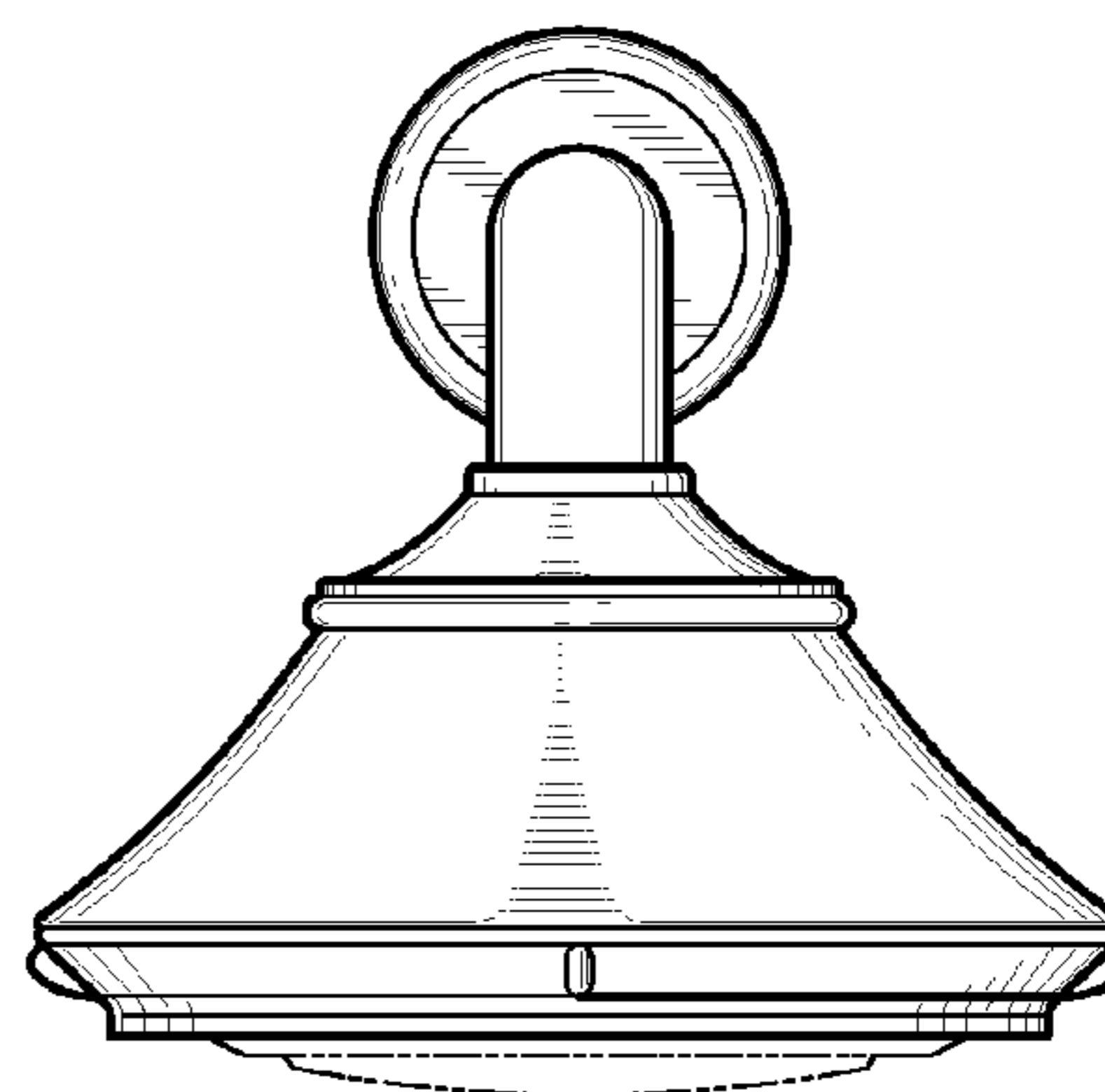


Fig-3

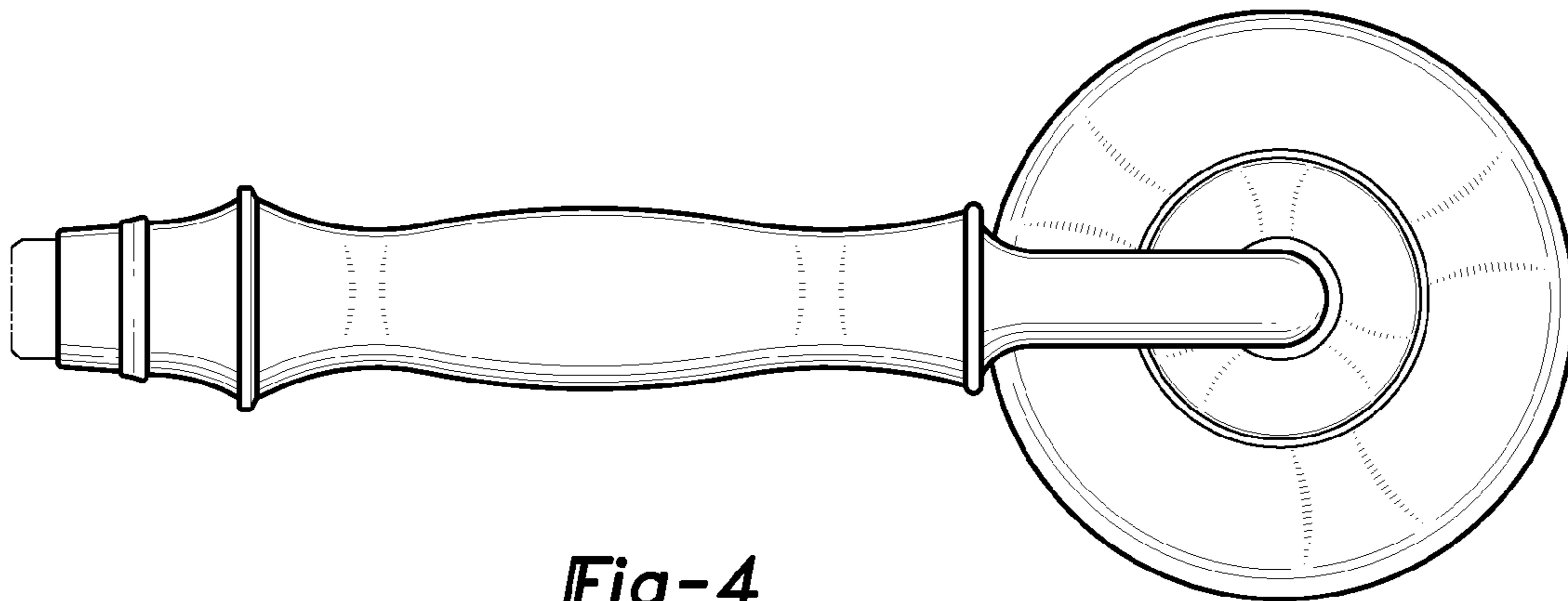


Fig-4

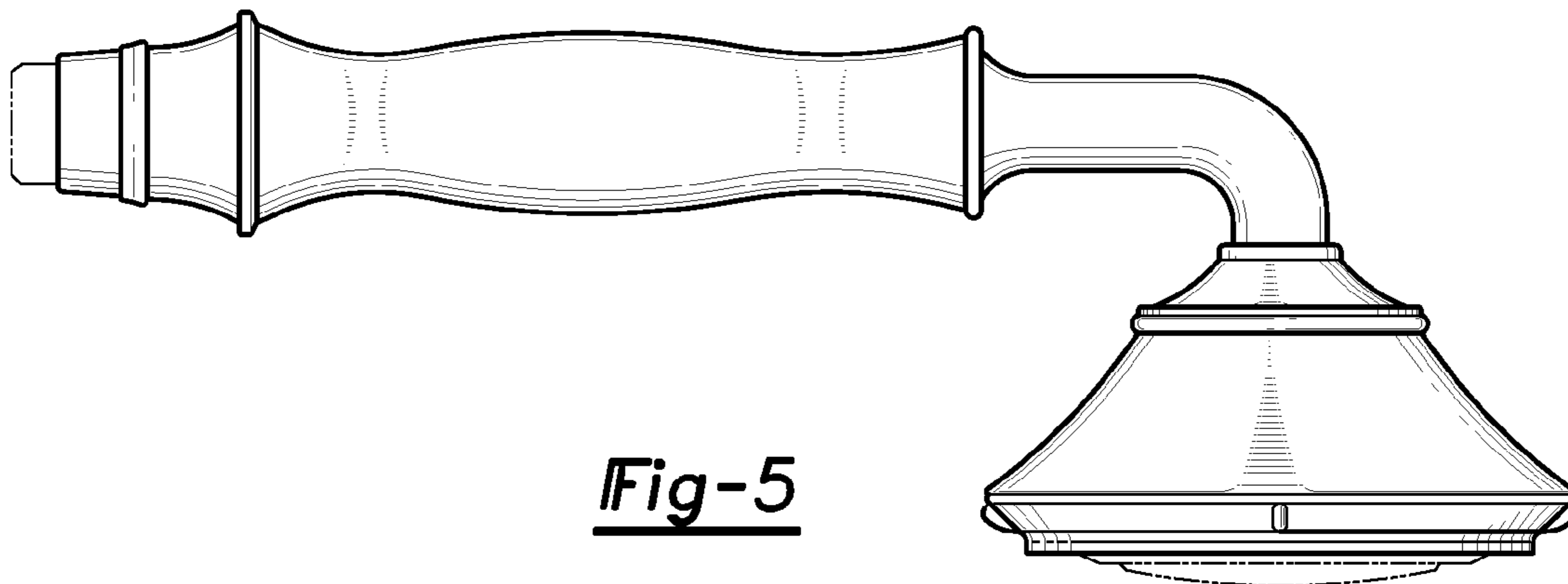


Fig-5

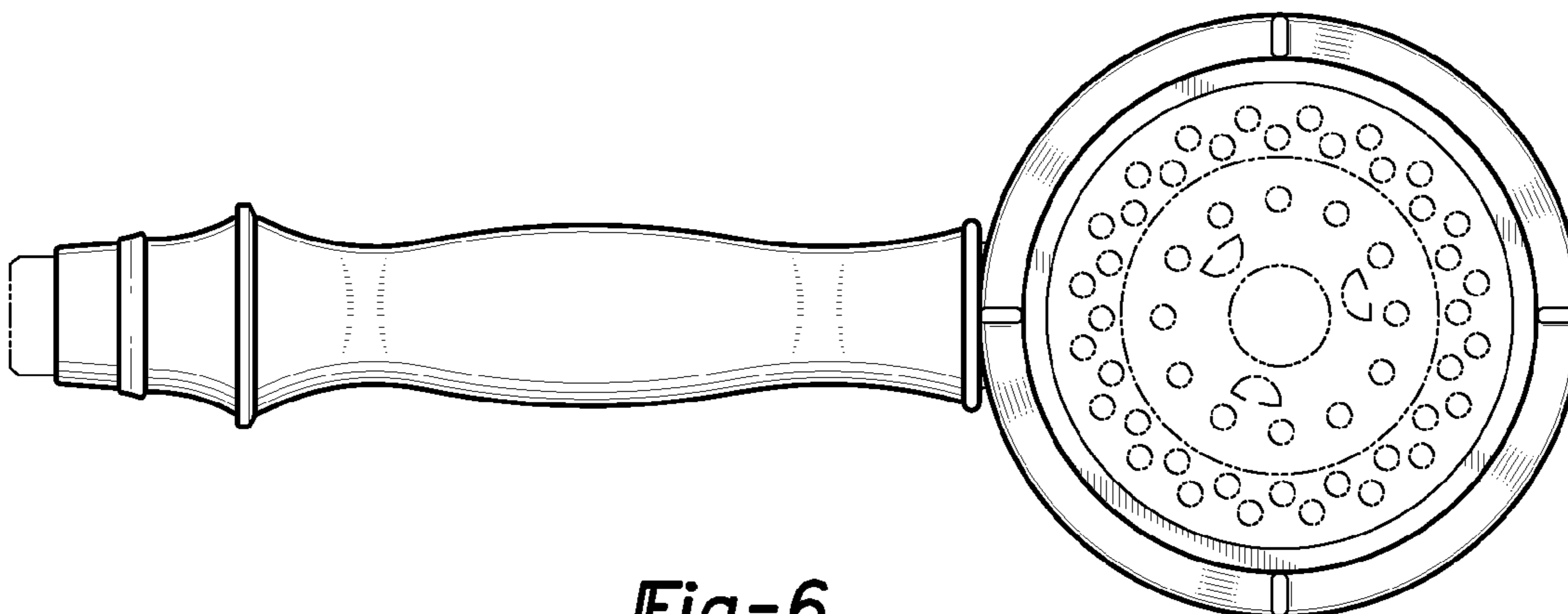


Fig-6