



US00D621467S

(12) **United States Design Patent**
Montes

(10) **Patent No.:** **US D621,467 S**

(45) **Date of Patent:** **** Aug. 10, 2010**

(54) **EXTENDED BOLT RELEASE FOR A FIREARM**

(76) **Inventor:** **Kenneth Montes**, 1044 Branham La.,
San Jose, CA (US) 95136

(**) **Term:** **14 Years**

(21) **Appl. No.:** **29/339,179**

(22) **Filed:** **Jun. 25, 2009**

(51) **LOC (9) Cl.** **22-01**

(52) **U.S. Cl.** **D22/108**

(58) **Field of Classification Search** D22/100,
D22/101, 103, 104, 108, 199; D21/572,
D21/573; 42/51, 71.01, 75.01, 75.02, 90,
42/94, 134, 136, 139, 125, 72, 111; 362/110;
33/241, 277; 313/105 R; 89/40.06, 41.19,
89/37.04, 33.04, 191.01, 200–204; 124/67,
124/66, 74

See application file for complete search history.

(56) **References Cited**

U.S. PATENT DOCUMENTS

2003/0230020 A1 * 12/2003 Christiansen 42/1.05

FOREIGN PATENT DOCUMENTS

WO WO 2005047804 A2 * 5/2005

OTHER PUBLICATIONS

Discussion thread downloaded on Jun. 25, 2009 from <http://www.weaponevolution.com/forum/showthread.php?t=1159>.

Discussion thread downloaded on Jun. 25, 2009 from <http://www.snipercentral.com/forums/viewtopic.php?t=23631>.

Montes, U.S. Appl. No. 61/316,374, filed Mar. 22, 2010.

* cited by examiner

Primary Examiner—T. Chase Nelson

Assistant Examiner—Michael A Pratt

(74) *Attorney, Agent, or Firm*—Law Office of Andrei D. Popovici, PC

(57) **CLAIM**

What is claimed is the ornamental design for an extended bolt release for a firearm, as shown and described.

DESCRIPTION

FIG. 1 shows an isometric view of an extended bolt release for a firearm according to a first, ridged-lateral-surface embodiment;

FIG. 2 shows a bottom plan view of an extended bolt release for a firearm according to the first embodiment;

FIG. 3 shows a top plan view of an extended bolt release for a firearm according to the first embodiment;

FIG. 4 shows a rear plan view of an extended bolt release for a firearm according to the first embodiment;

FIG. 5 shows a front plan view of an extended bolt release for a firearm according to the first embodiment;

FIG. 6 shows a left side plan view of an extended bolt release for a firearm according to the first embodiment;

FIG. 7 shows a right side plan view of an extended bolt release for a firearm according to the first embodiment;

FIG. 8 shows an isometric view of an extended bolt release for a firearm according to a second, flat-lateral-surface embodiment;

FIG. 9 shows a bottom plan view of an extended bolt release for a firearm according to the second embodiment;

FIG. 10 shows a top plan view of an extended bolt release for a firearm according to the second embodiment;

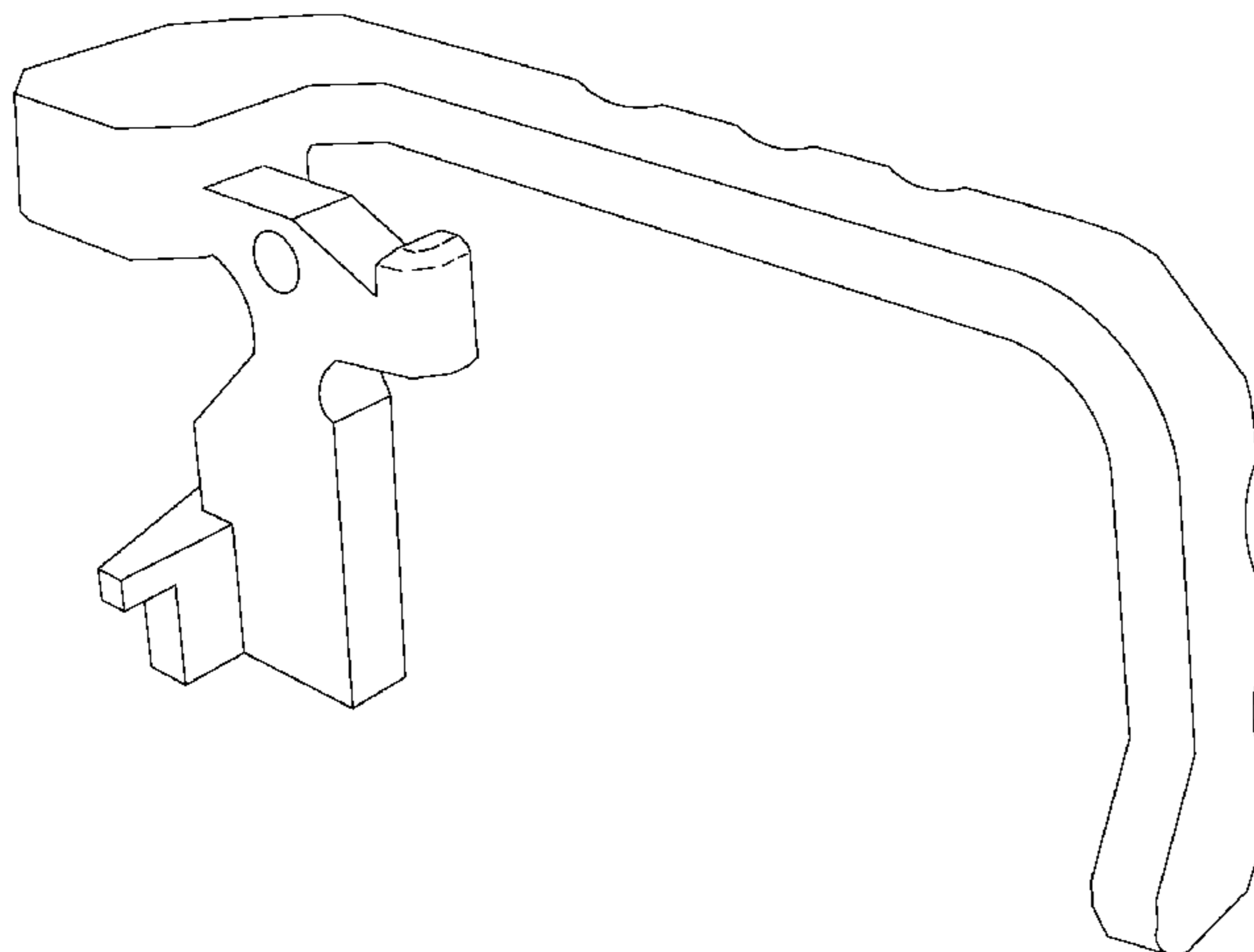
FIG. 11 shows a rear plan view of an extended bolt release for a firearm according to the second embodiment;

FIG. 12 shows a front plan view of an extended bolt release for a firearm according to the second embodiment;

FIG. 13 shows a left side plan view of an extended bolt release for a firearm according to the second embodiment; and,

FIG. 14 shows a right side plan view of an extended bolt release for a firearm according to the second embodiment.

1 Claim, 6 Drawing Sheets



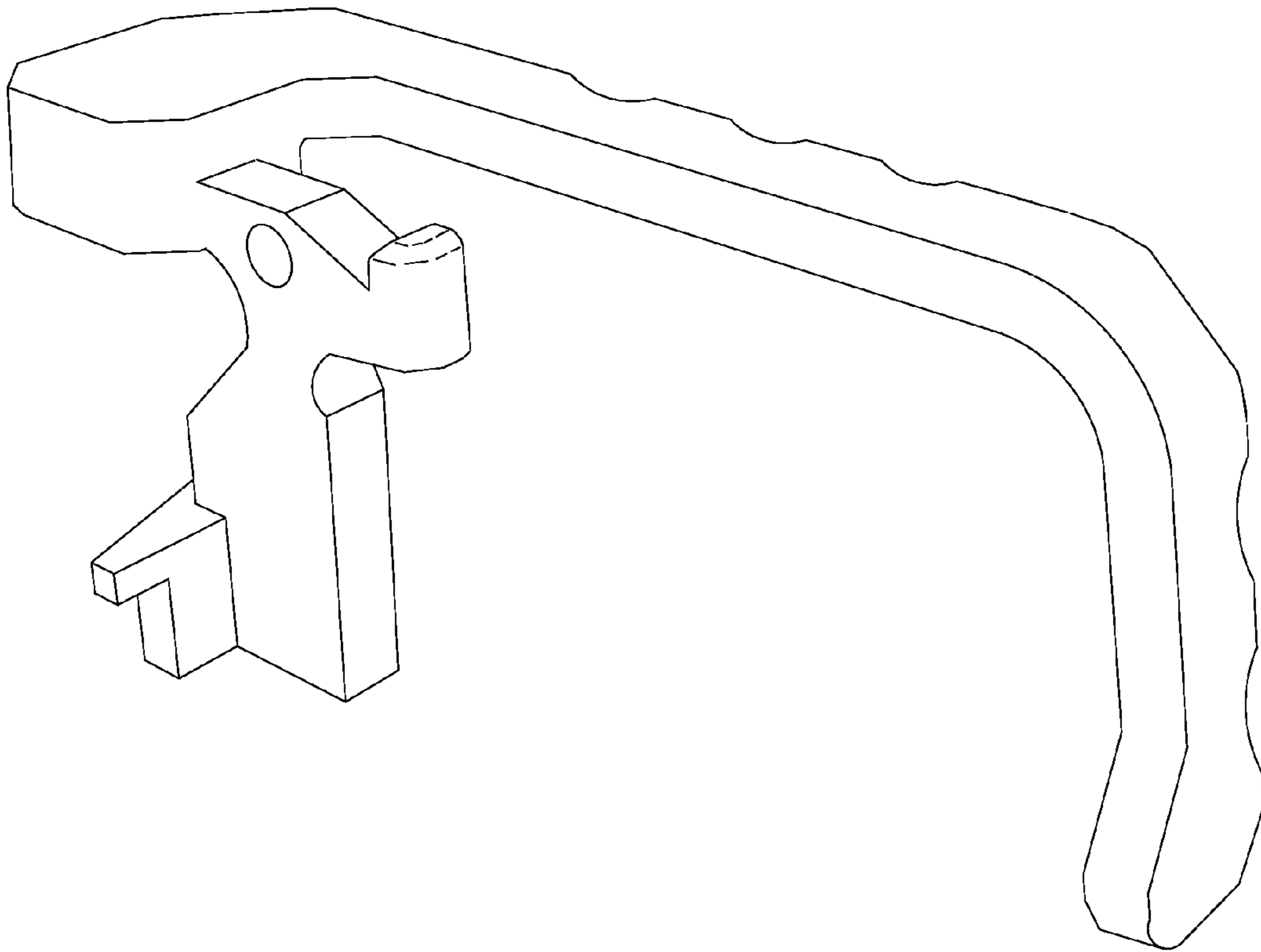


FIG. 1

FIG. 2

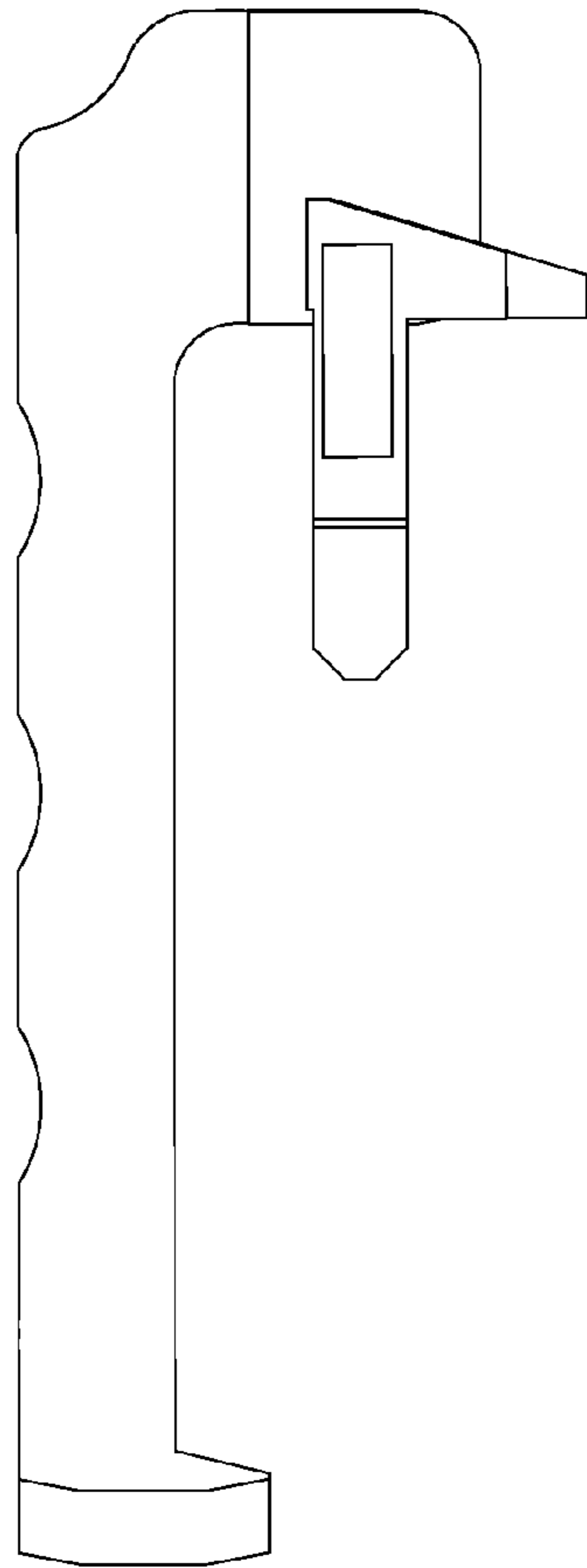


FIG. 3

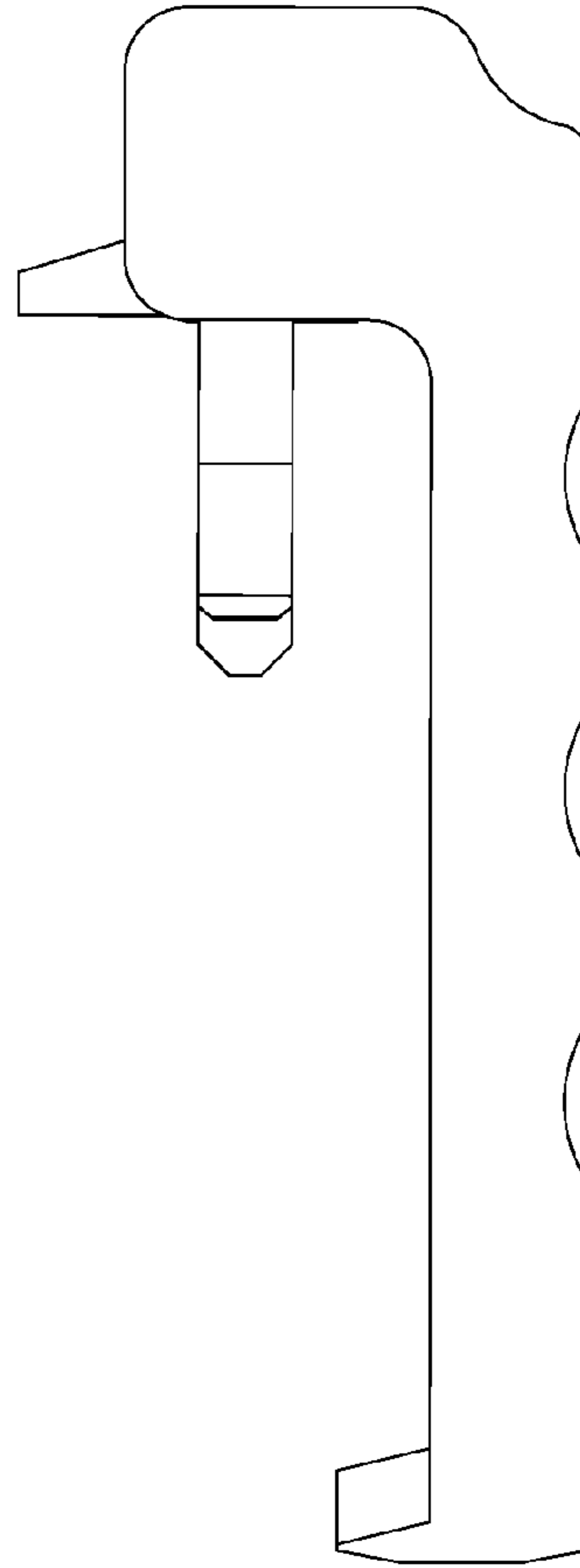


FIG. 4

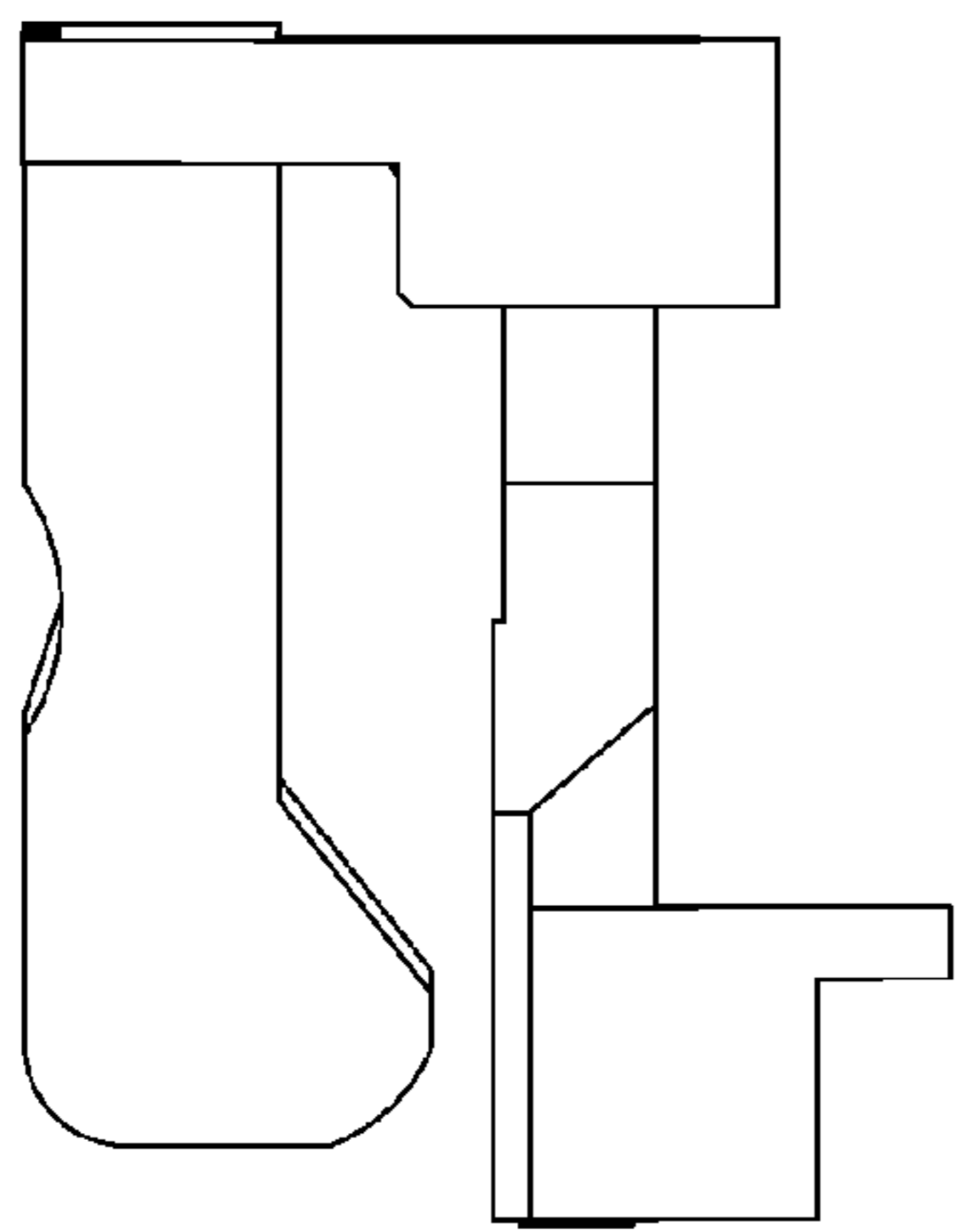
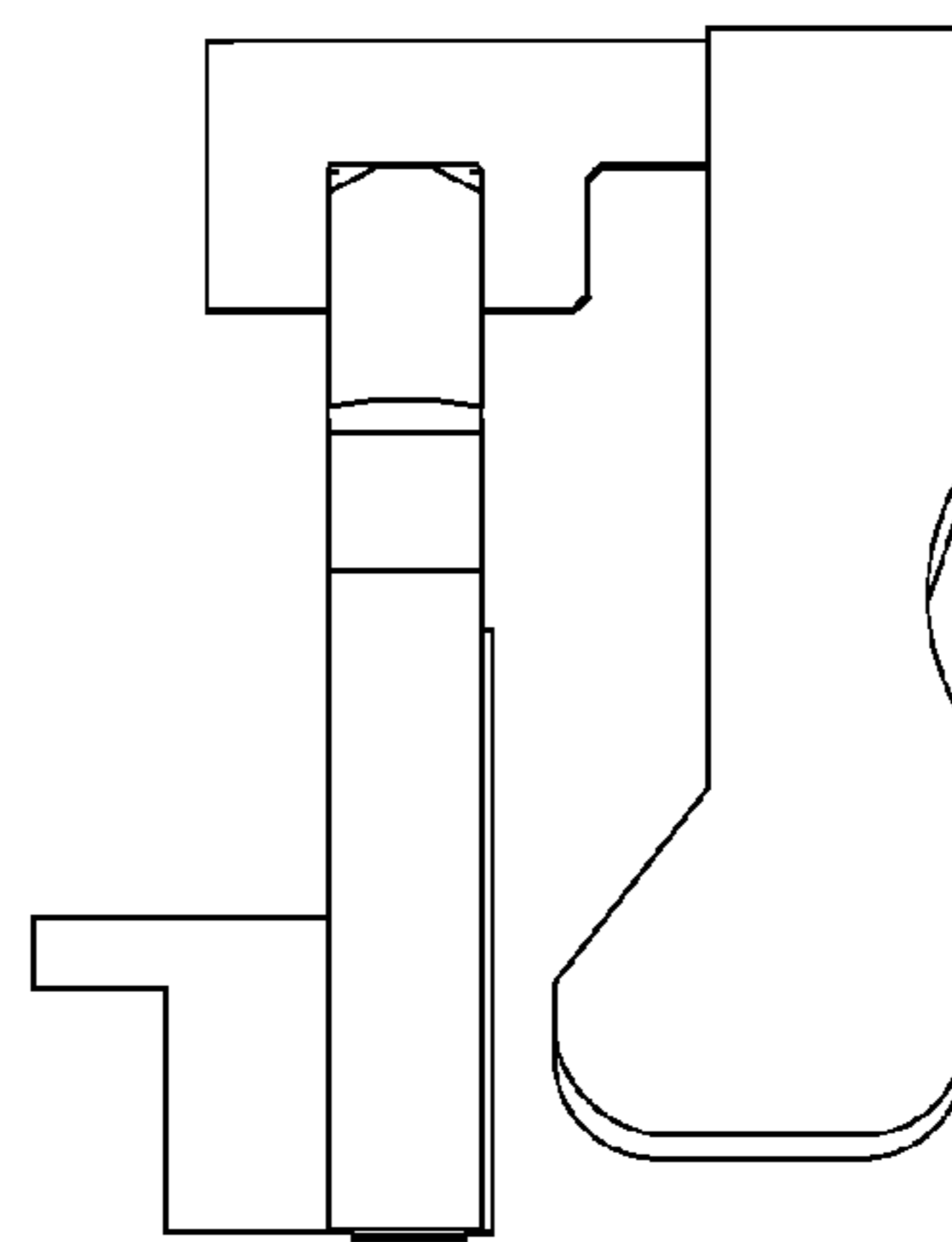


FIG. 5



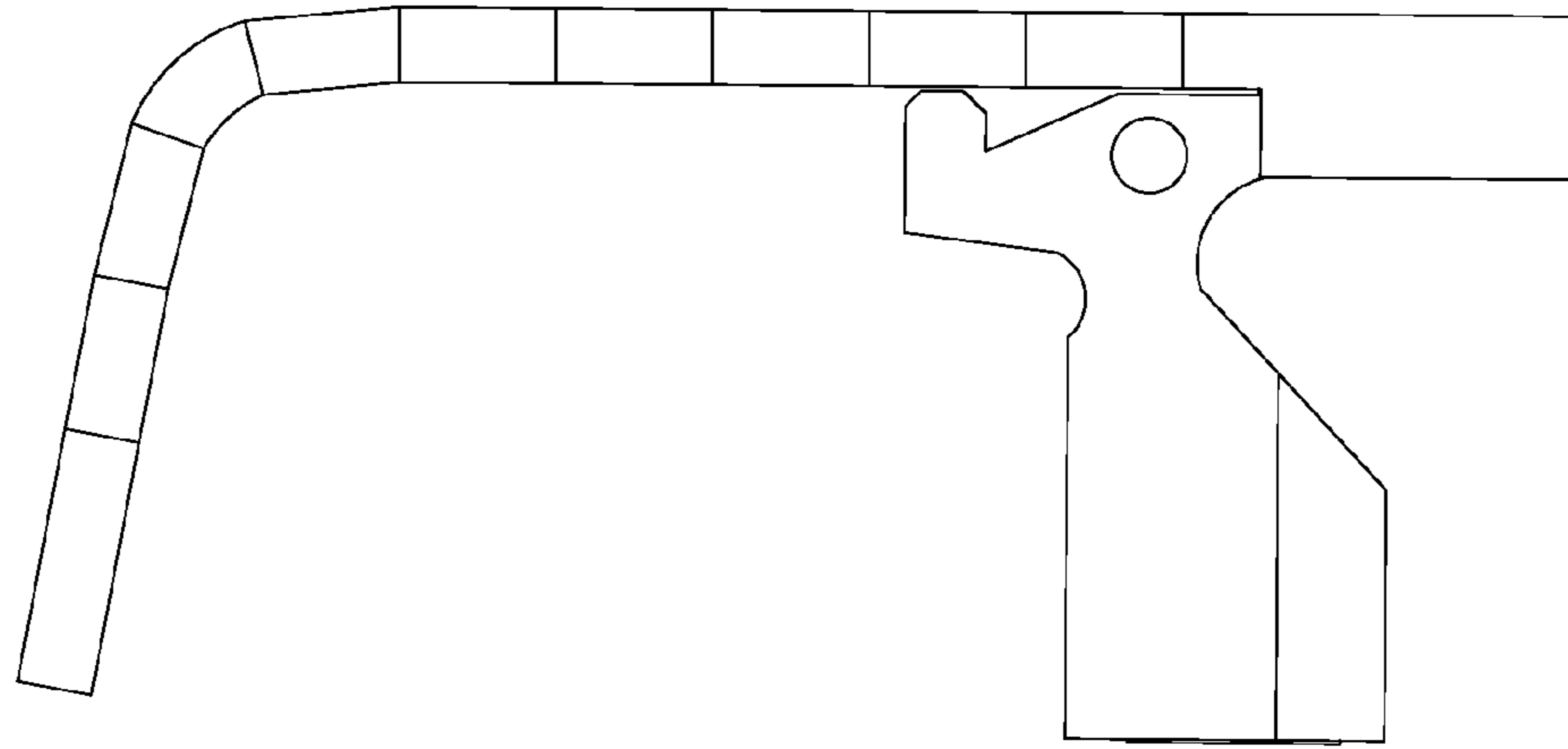


FIG. 6

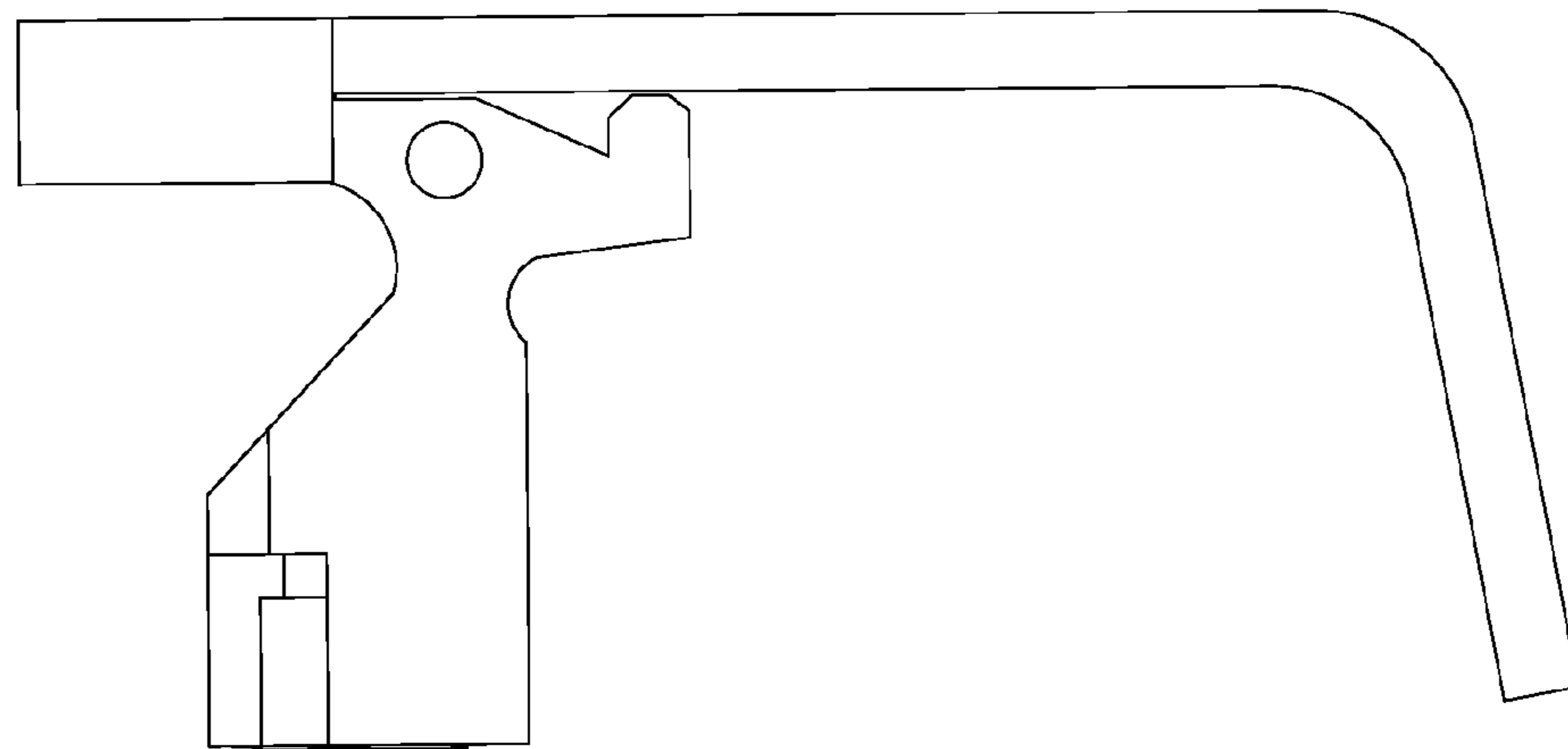


FIG. 7

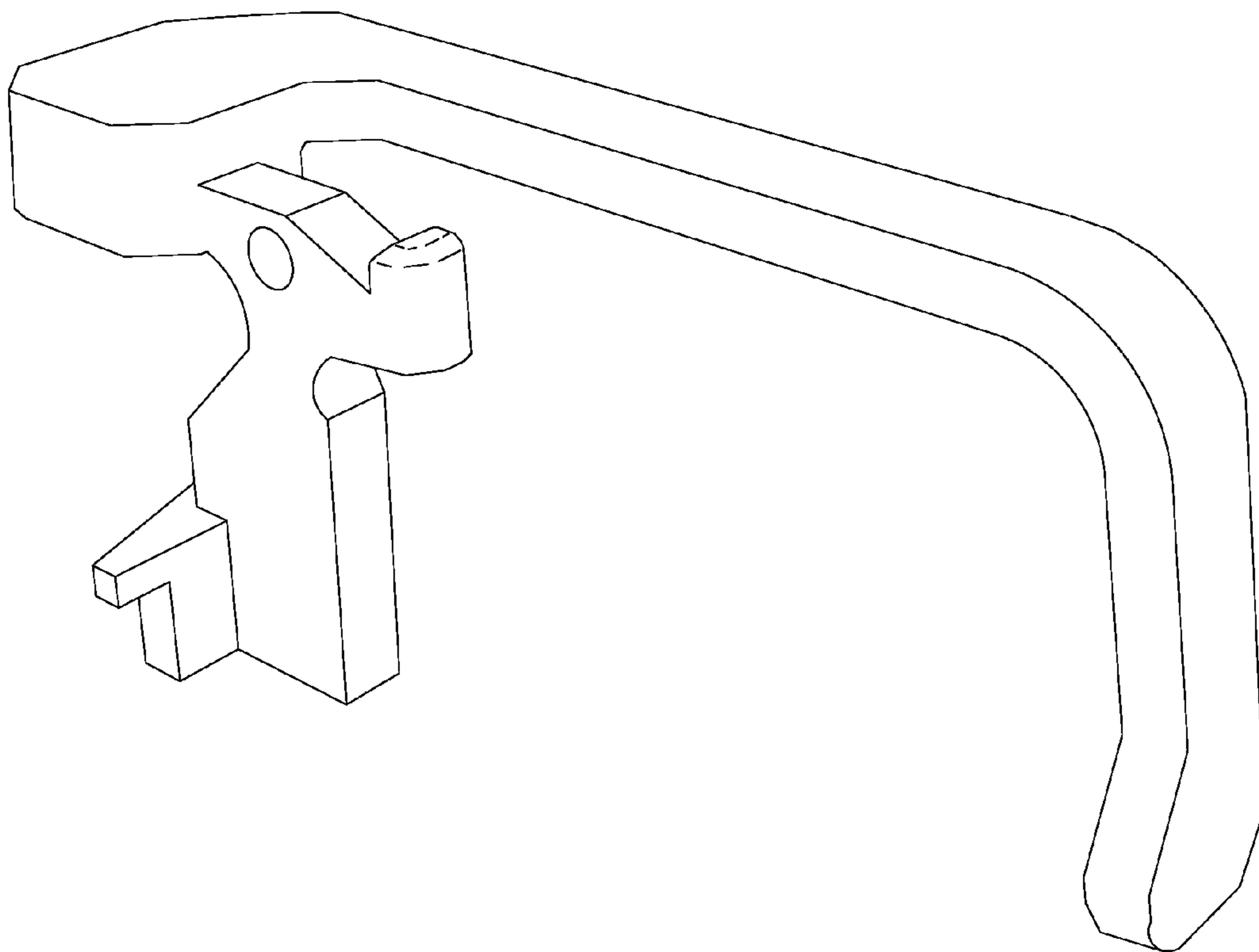


FIG. 8

FIG. 9

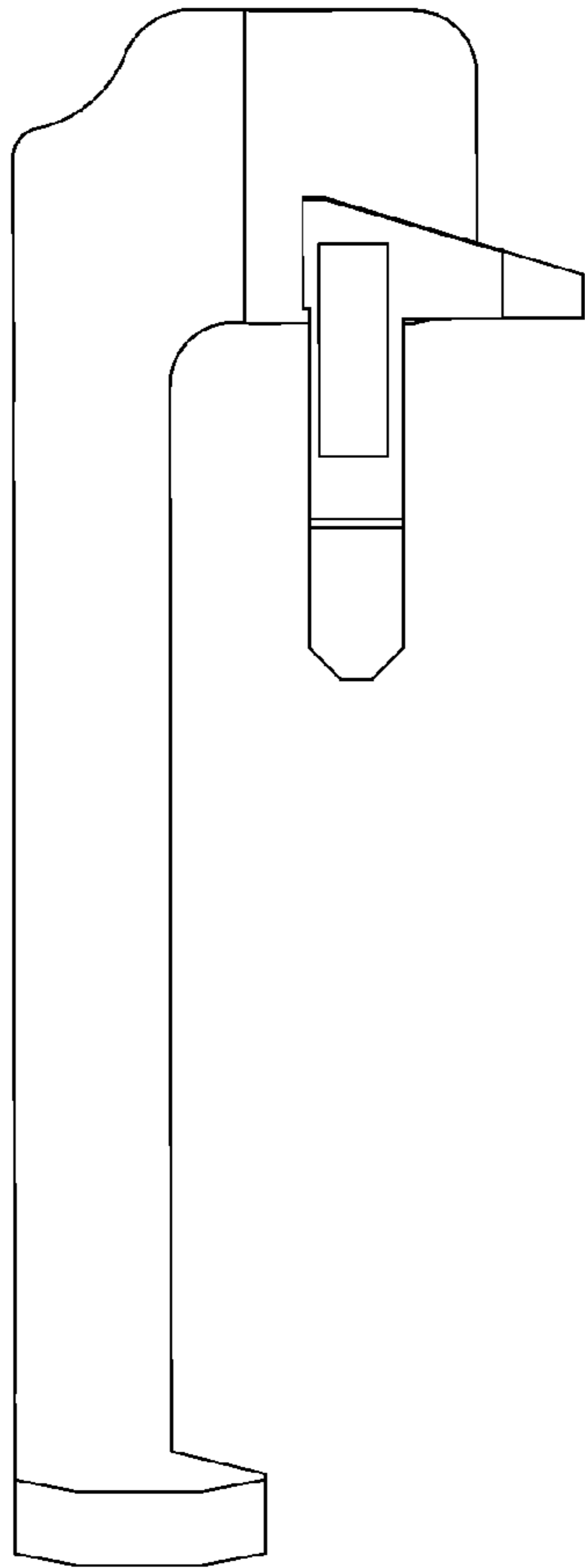


FIG. 10

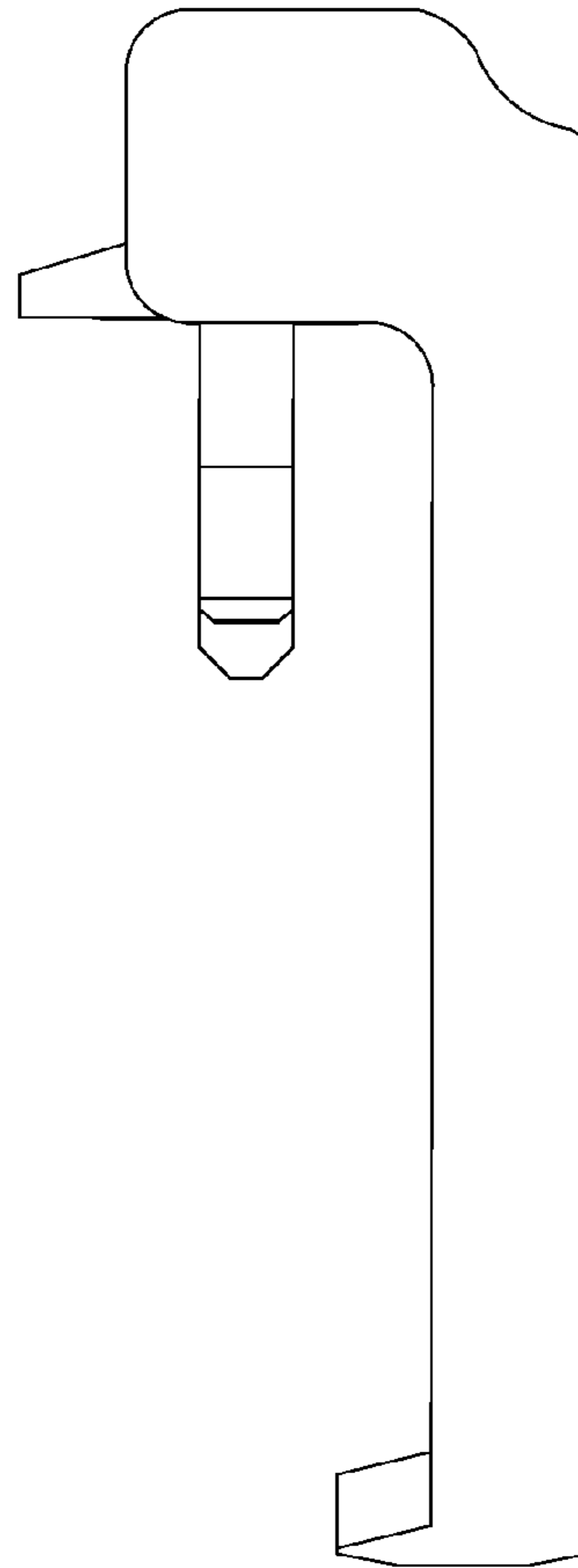


FIG. 11

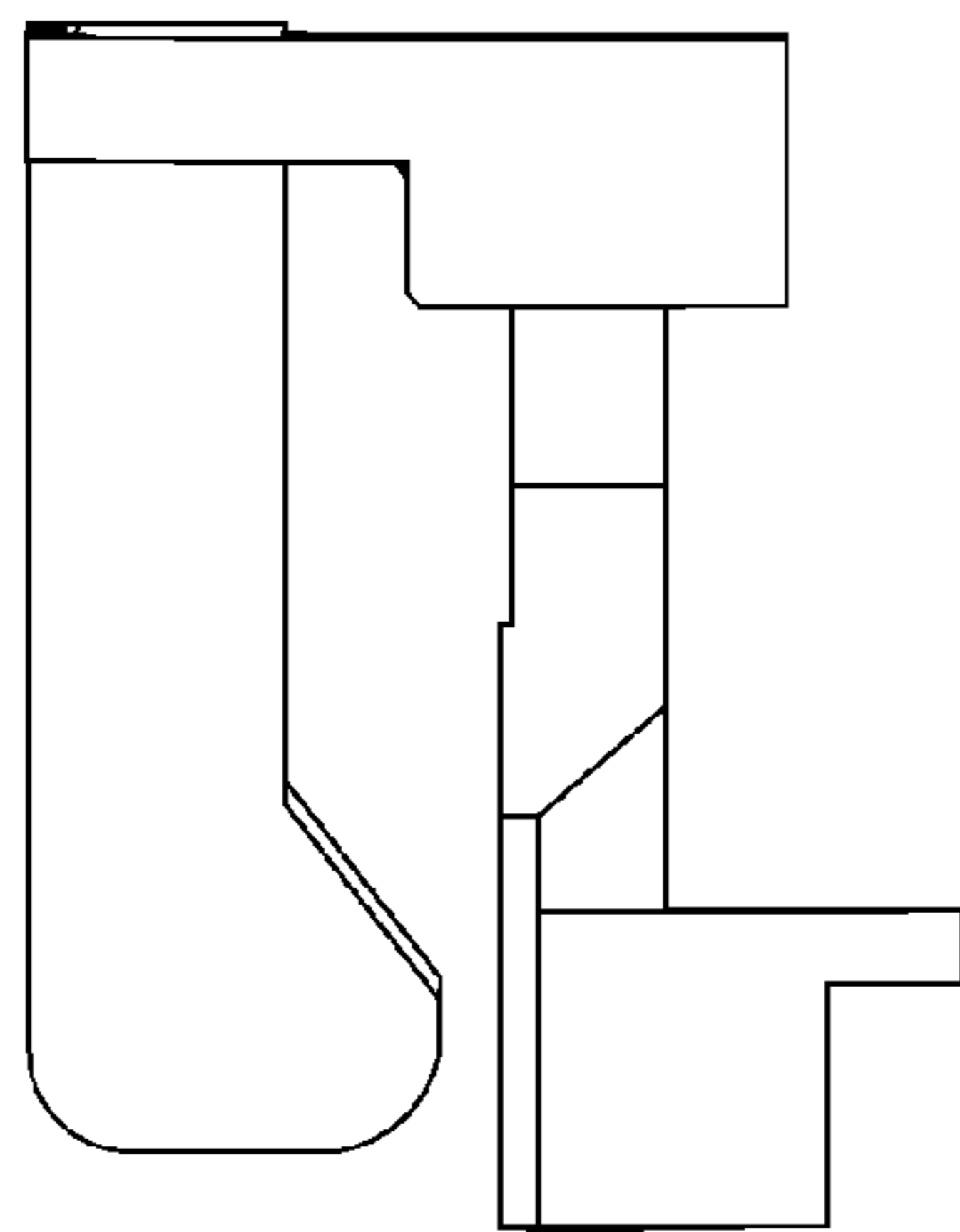
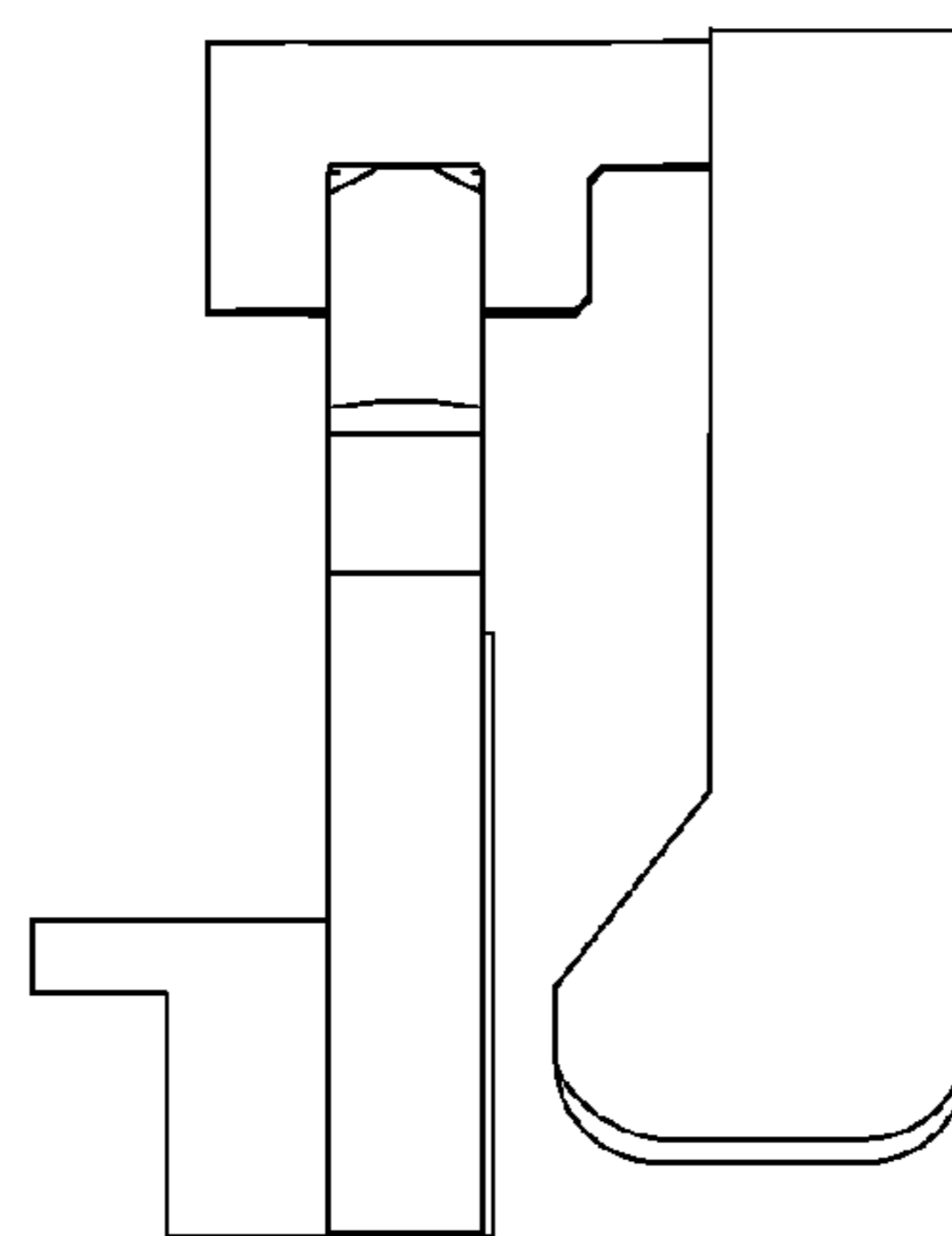


FIG. 12



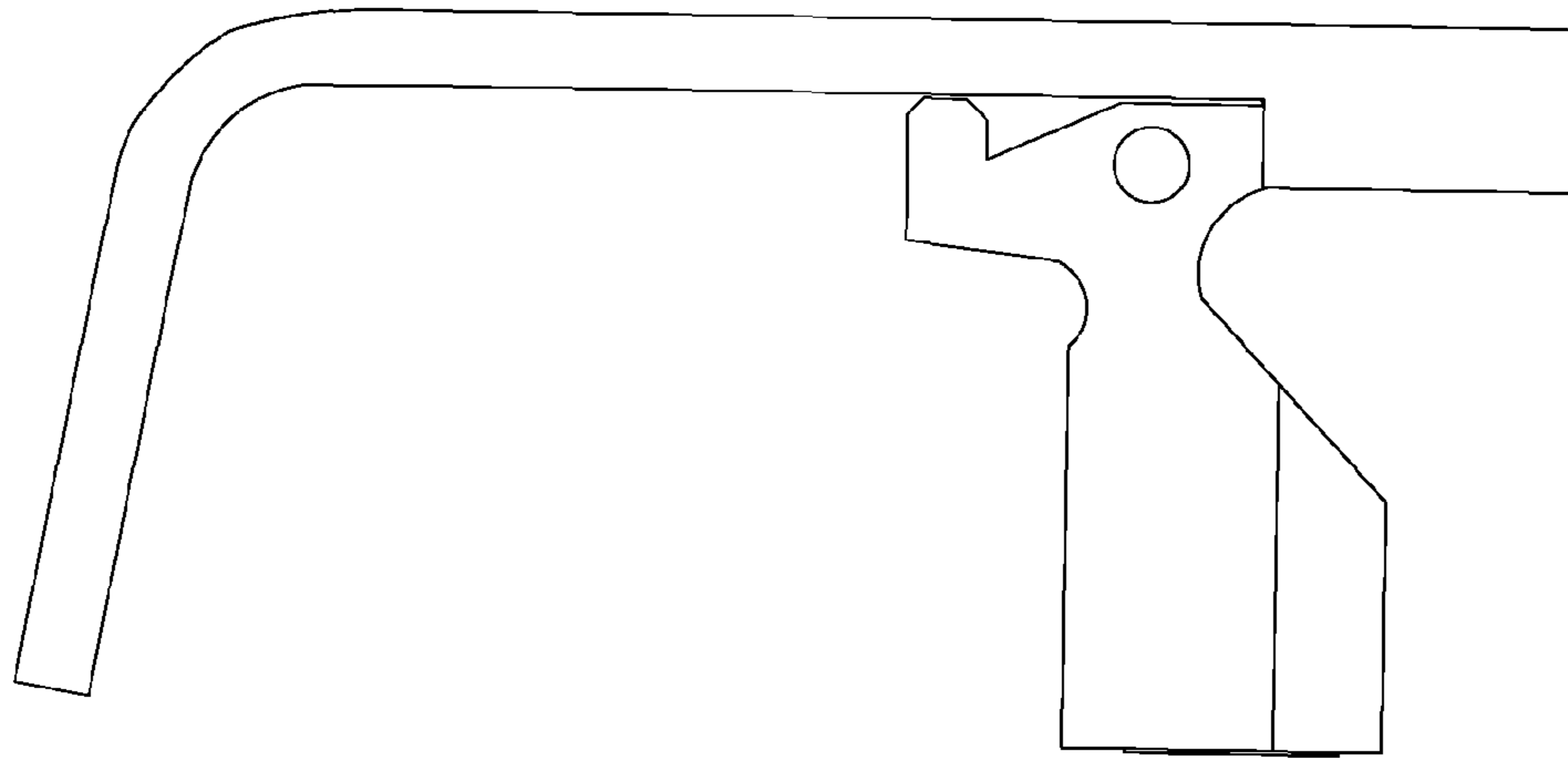


FIG. 13

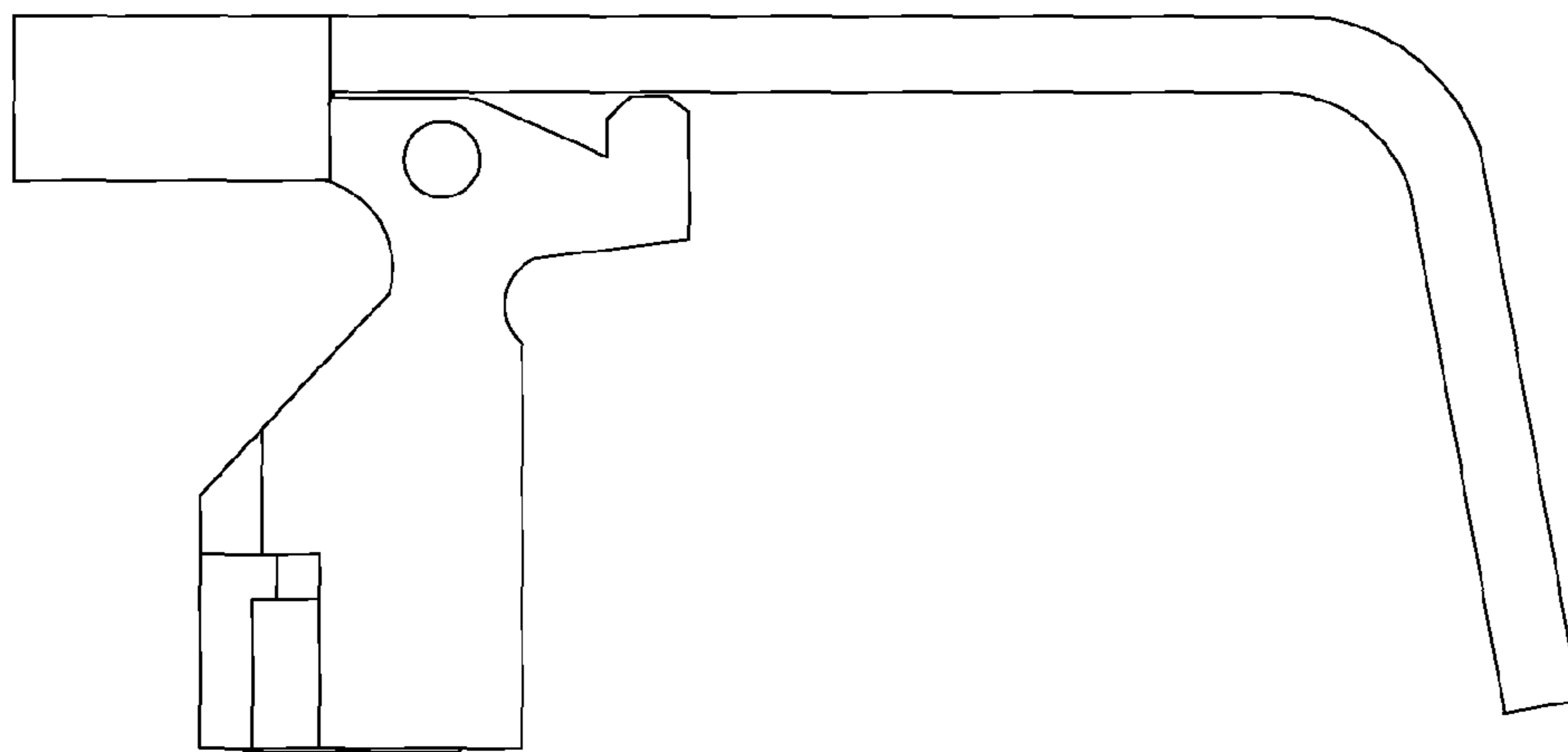


FIG. 14