

US00D621465S

(12) **United States Design Patent**
Kearl et al.

(10) **Patent No.:** **US D621,465 S**

(45) **Date of Patent:** **** *Aug. 10, 2010**

(54) **PLAYGROUND EQUIPMENT**

(75) Inventors: **Jacob Kearl**, Plain City, UT (US);
Stephen F. Nye, Syracuse, UT (US)

(73) Assignee: **Lifetime Products, Inc.**, Clearfield, UT (US)

(*) Notice: This patent is subject to a terminal disclaimer.

(**) Term: **14 Years**

(21) Appl. No.: **29/318,956**

(22) Filed: **May 31, 2008**

(51) **LOC (9) Cl.** **21-03**

(52) **U.S. Cl.** **D21/827**

(58) **Field of Classification Search** D21/811,
D21/814, 818-827; 482/35, 36; 472/116,
472/117

See application file for complete search history.

(56) **References Cited**

U.S. PATENT DOCUMENTS

1,466,031 A *	8/1923	Rippin	297/181
1,845,832 A	2/1932	Cottner		
D165,593 S *	1/1952	Low	D21/825
D191,749 S *	11/1961	Haubert	D21/827
D194,214 S *	12/1962	Shepard	D21/827
D195,633 S *	7/1963	Haubert	D21/827
D200,478 S *	3/1965	Haubert	D21/820
D212,193 S *	9/1968	Rudy	D21/827
3,516,659 A	6/1970	Kleid		
D223,674 S *	5/1972	Johnson	D21/827
D225,072 S *	11/1972	Henning et al.	D21/827
D225,073 S *	11/1972	Henning et al.	D21/827
D226,318 S *	2/1973	Henning et al.	D21/827
D236,276 S *	8/1975	Rudy	D21/827
D241,664 S	9/1976	Ewers		
D257,875 S *	1/1981	Rudy	D21/827
D281,893 S *	12/1985	Addleman	D21/827
4,579,708 A	4/1986	Rosart		
4,941,658 A	7/1990	Poo		

5,203,752 A	4/1993	Frankel
D366,923 S	2/1996	Boifava
5,554,074 A	9/1996	Von Parrish
5,709,247 A	1/1998	Hutton
5,967,901 A	10/1999	Briggs
6,083,205 A	7/2000	Bourne et al.

(Continued)

OTHER PUBLICATIONS

U.S. Appl. No. 29/330,175, filed Dec. 30, 2008.

(Continued)

Primary Examiner—Mitchell I Siegel
(74) *Attorney, Agent, or Firm*—Workman Nydegger

(57) **CLAIM**

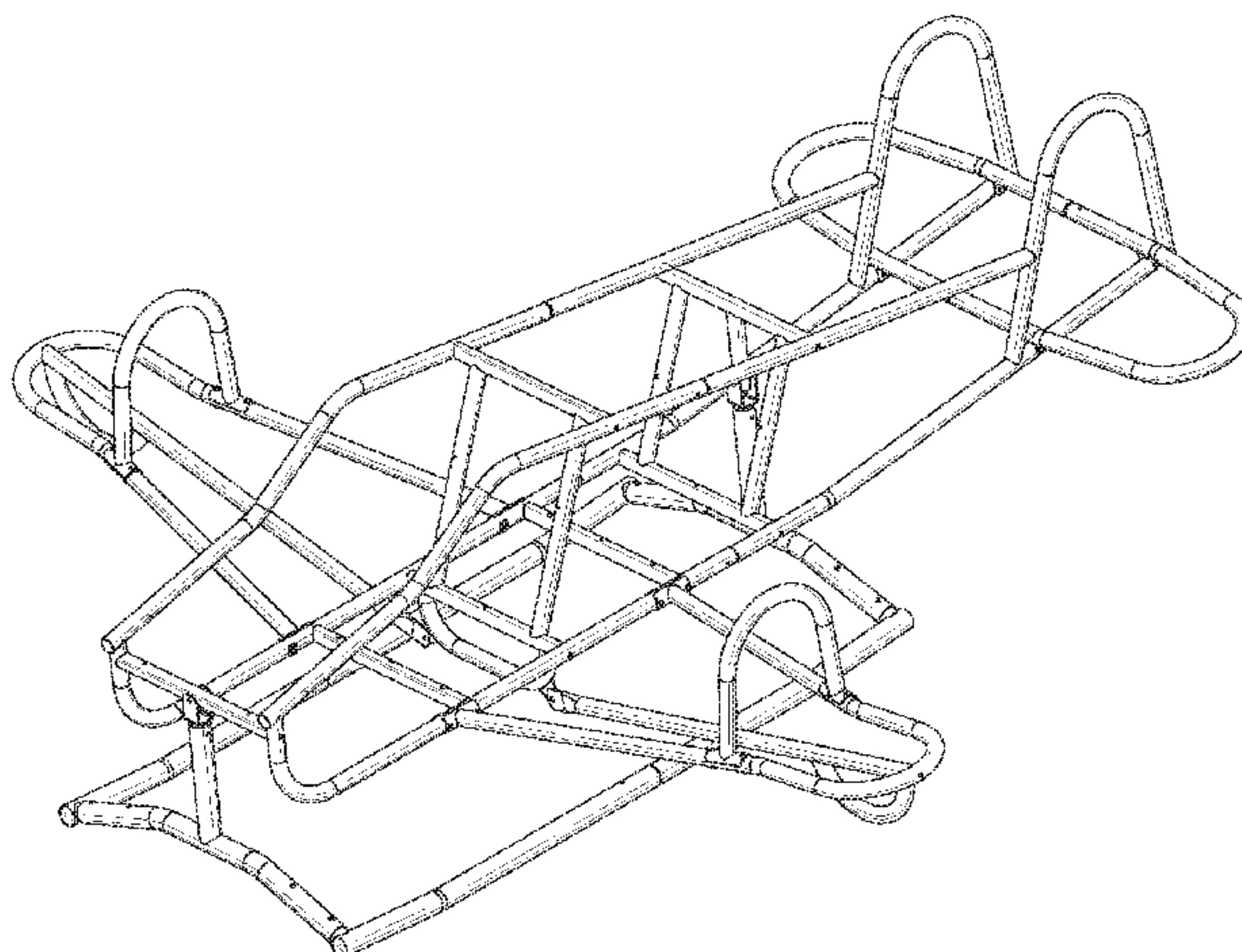
The ornamental design for playground equipment, as shown and described.

DESCRIPTION

FIG. 1 is a perspective view of one embodiment of the playground equipment;
FIG. 2 is a right side view of the playground equipment shown in FIG. 1, with the left side view being a mirror image thereof;
FIG. 3 is a top view of the playground equipment shown in FIG. 1;
FIG. 4 is a front view of the playground equipment shown in FIG. 1;
FIG. 5 is a rear view of the playground equipment shown in FIG. 1; and,
FIG. 6 is a bottom view of the playground equipment shown in FIG. 1.

The broken lines shown in the figures are for illustrative purposes only and form no part of the claimed design.

1 Claim, 3 Drawing Sheets



US D621,465 S

Page 2

U.S. PATENT DOCUMENTS

6,116,888 A 9/2000 Johnston
D446,570 S * 8/2001 Kjaer-Madsen et al. D21/814
6,427,403 B1 8/2002 Tambakis
D468,386 S 1/2003 Frank
D479,569 S * 9/2003 Van Deusen D21/827
D481,094 S * 10/2003 Van Deusen D21/820
D481,095 S * 10/2003 Van Deusen D21/827
D481,779 S * 11/2003 Van Deusen D21/827
D495,376 S 8/2004 Zee
D520,520 S 5/2006 Nimberger
7,060,002 B1 6/2006 Boehme
7,094,189 B2 8/2006 Fallacaro
D534,984 S 1/2007 Nye
D536,406 S 2/2007 Nye
D536,407 S 2/2007 Nye
D536,408 S 2/2007 Nye
D536,409 S 2/2007 Nye
D536,410 S 2/2007 Nye
D536,411 S 2/2007 Nye
D536,412 S 2/2007 Nye
D538,878 S 3/2007 Kearn
7,186,183 B2 3/2007 Zeilinger et al.
D543,494 S 5/2007 Hall
D544,549 S 6/2007 Glatz
7,225,832 B2 6/2007 Stamler
D550,320 S 9/2007 Nye
D560,740 S 1/2008 Phelps
D593,179 S * 5/2009 Kearn et al. D21/827
D602,554 S * 10/2009 Kearn et al. D21/827
D604,790 S * 11/2009 Kearn et al. D21/827
2001/0040003 A1 11/2001 Yang
2004/0224823 A1 11/2004 Myers
2005/0176557 A1 8/2005 Bork

2005/0233862 A1 10/2005 Madigan
2006/0079379 A1 4/2006 Zeilinger
2007/0117494 A1 5/2007 Sheller

OTHER PUBLICATIONS

Office Action dated Feb. 10, 2009 cited in related U.S. Appl. No. 11/844,147.
Notice of Allowance dated Feb. 2, 2009 cited in related U.S. Appl. No. 29/318,955.
U.S. Appl. No. 60/941,248, filed May 31, 2007, Nye.
U.S. Appl. No. 61/037,228, filed Mar. 17, 2007, Nye.
U.S. Appl. No. 61/037,234, filed Mar. 17, 2008, Nye.
U.S. Appl. No. 29/330,175, filed Dec. 30, 2008, Nye.
U.S. Appl. No. 29/337,258, filed May 18, 2009, Kearn.
U.S. Appl. No. 29/340,676, filed Jul. 23, 2009, Kearn.
Office Action dated May 13, 2009 from U.S. Appl. No. 11/447,334, 13 pages.
Notice of Allowability dated Jun. 3, 2009 from U.S. Appl. No. 29/318,957, 3 pages.
Notice of Allowability dated Jul. 28, 2009, from U.S. Appl. No. 29/318,958, 3 pages.
U.S. Appl. No. 12/129,107, filed May 29, 2008, Nye.
U.S. Appl. No. 29/318,955, filed May 31, 2008, Kearn.
U.S. Appl. No. 29/318,957, filed May 31, 2008, Kearn.
U.S. Appl. No. 29/318,958, filed May 31, 2008, Kearn.
U.S. Appl. No. 11/447,334 filed Jun. 6, 2006.
U.S. Appl. No. 11/844,147 filed Aug. 23, 2007.
International Search Report and Written Opinion from PCT International Application No. PCT/US2006/022068, dated Jun. 25, 2008, 12 pages.
Office Action dated Jun. 24, 2008 cited in related U.S. Appl. No. 11/447,334.

* cited by examiner

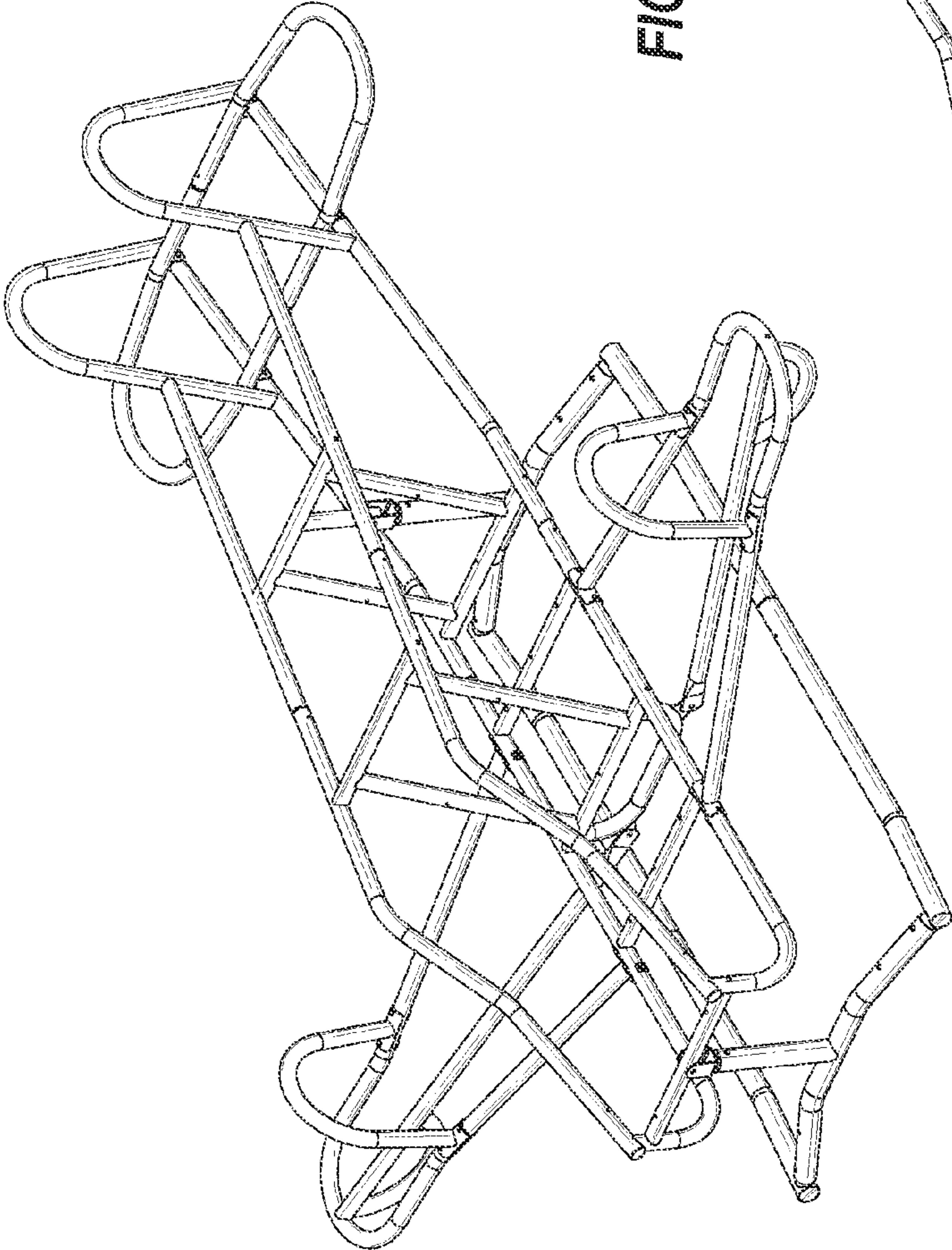


FIG. 1

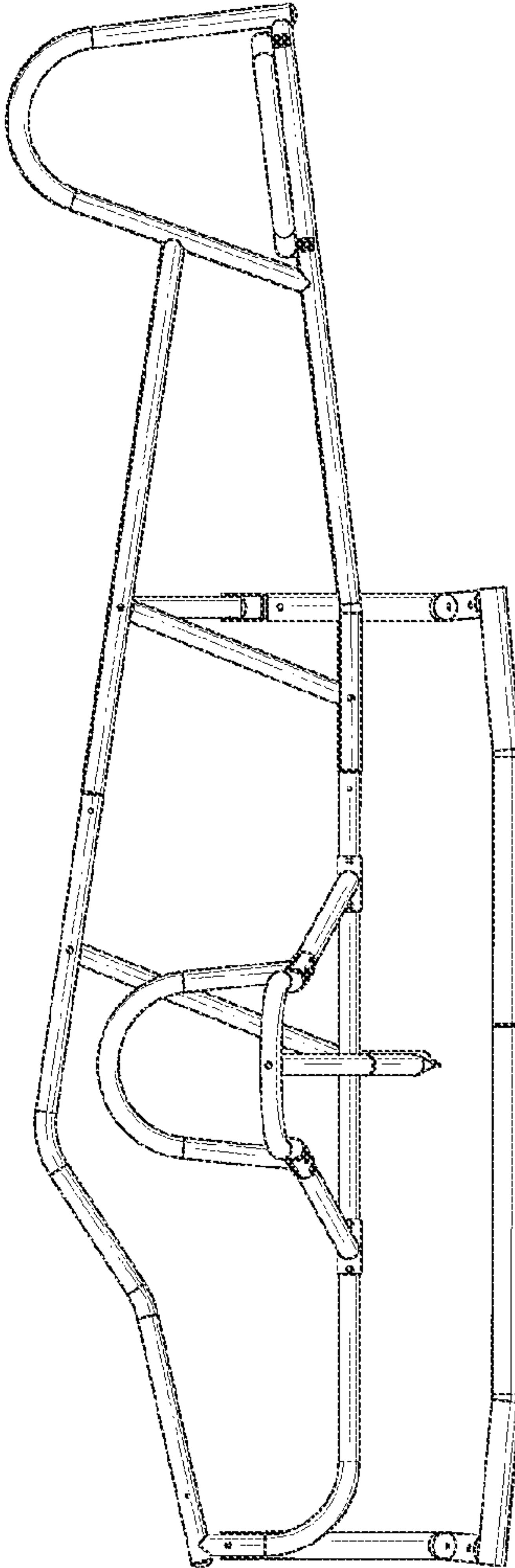


FIG. 2

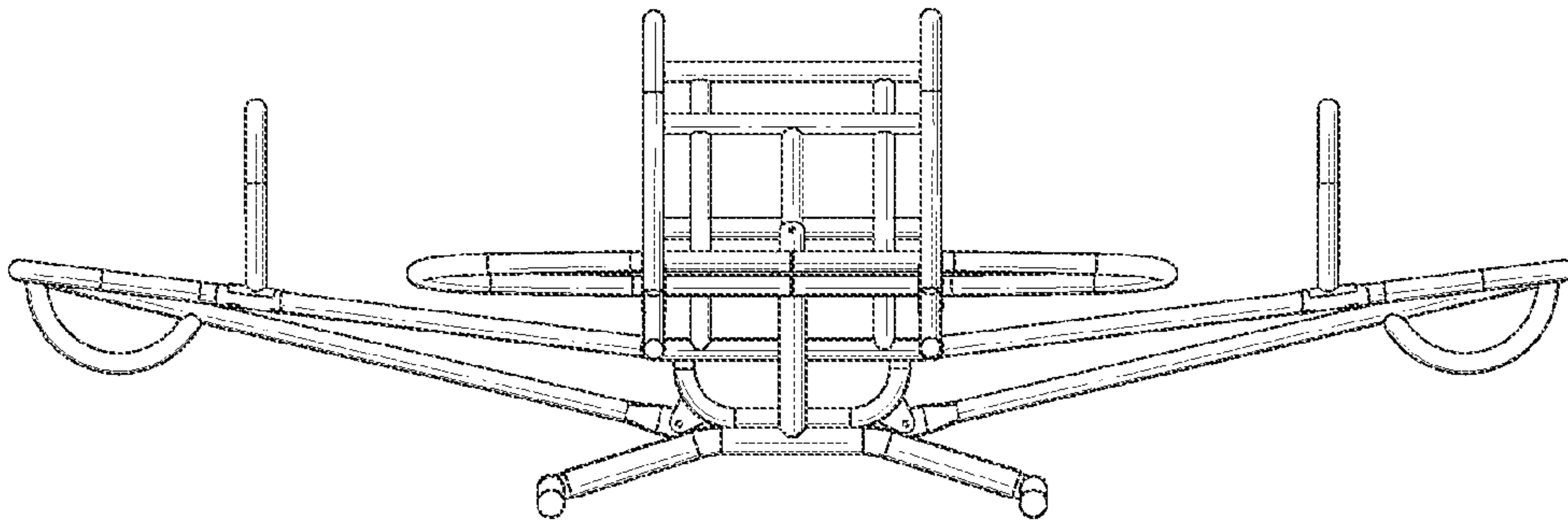


FIG. 5

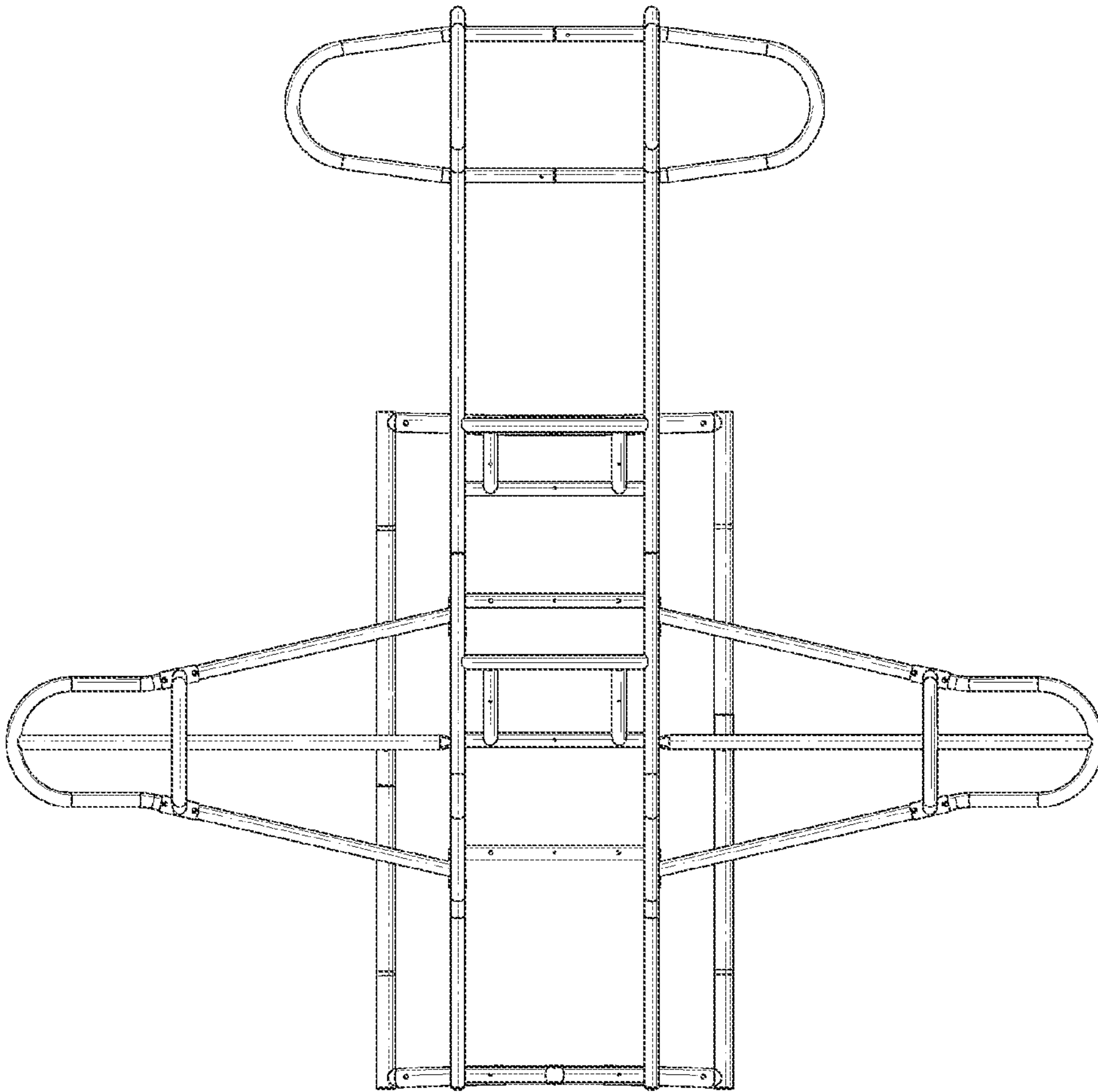


FIG. 3

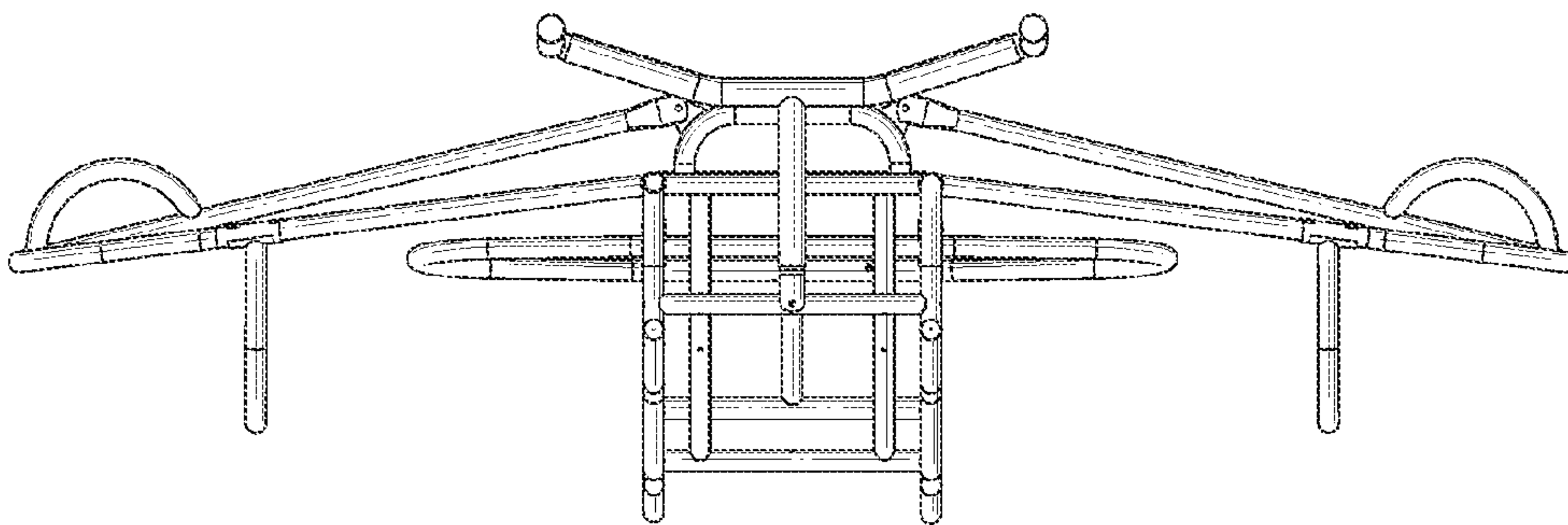


FIG. 4

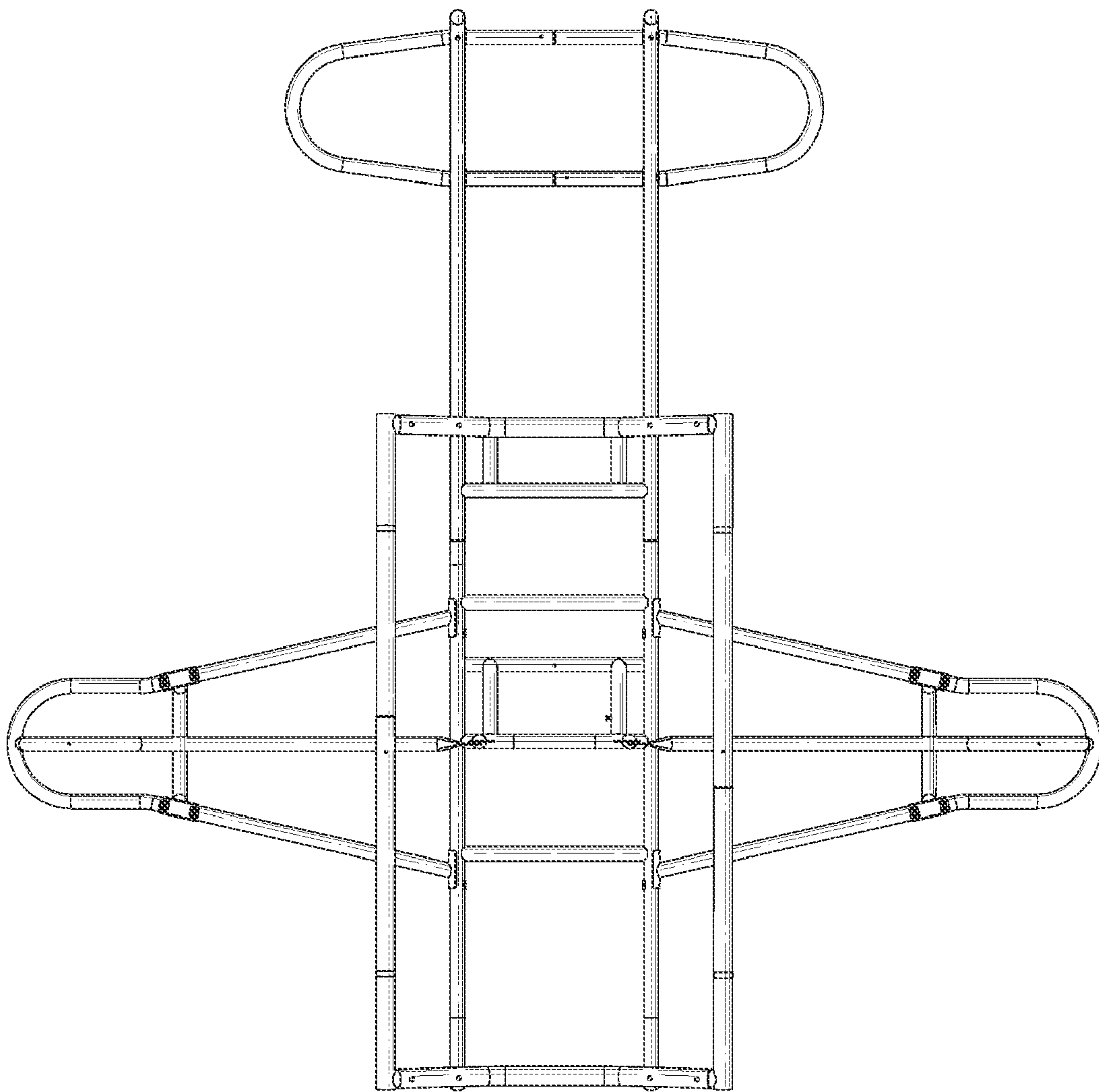


FIG. 6