



US00D621464S

(12) **United States Design Patent**
Durante et al.

(10) **Patent No.:** **US D621,464 S**

(45) **Date of Patent:** **** Aug. 10, 2010**

(54) **SURFBOARD FIN PLUG**

(75) Inventors: **Michael Durante**, Sydney (AU);
Gregory Scott, Sydney (AU)

(73) Assignee: **Fin Control Systems Pty Limited**,
Mona Vale (AU)

(**) Term: **14 Years**

(21) Appl. No.: **29/343,822**

(22) Filed: **Sep. 18, 2009**

(51) **LOC (9) Cl.** **21-02**

(52) **U.S. Cl.** **D21/771**

(58) **Field of Classification Search** D21/769-770,
D21/771, 778, 801, 803, 809; 114/253, 345-346;
441/35, 66, 40-42, 129-132; 472/128-129;
D12/5, 6, 316; D15/140; D8/70, 387; D23/303,
D23/309; 4/465, 661

See application file for complete search history.

(56) **References Cited**

U.S. PATENT DOCUMENTS

D194,171 S *	11/1962	Senne	D21/778
3,516,099 A *	6/1970	Pope et al.	441/79
3,585,663 A *	6/1971	Johnson	441/79
3,659,300 A *	5/1972	Johnson	441/79
5,975,974 A *	11/1999	McCausland	441/79
6,386,933 B1 *	5/2002	Rewald et al.	441/74

6,595,817 B1 *	7/2003	Chang	441/79
6,752,674 B2 *	6/2004	Jolly	441/79
D502,522 S *	3/2005	Sperafico	D21/771
D542,874 S *	5/2007	Rodier	D21/771
D561,675 S *	2/2008	Czipri	D12/317

* cited by examiner

Primary Examiner—Janice E Seeger

Assistant Examiner—Zenia I Bennett

(74) *Attorney, Agent, or Firm*—Knobbe, Martens, Olson &
Bear LLP

(57) **CLAIM**

The ornamental design for a surfboard fin plug, as shown and described.

DESCRIPTION

FIG. 1 is an upper perspective view of a surfboard fin plug showing our new design in accordance with the invention;

FIG. 2 is a lower perspective view thereof;

FIG. 3 is a top view thereof;

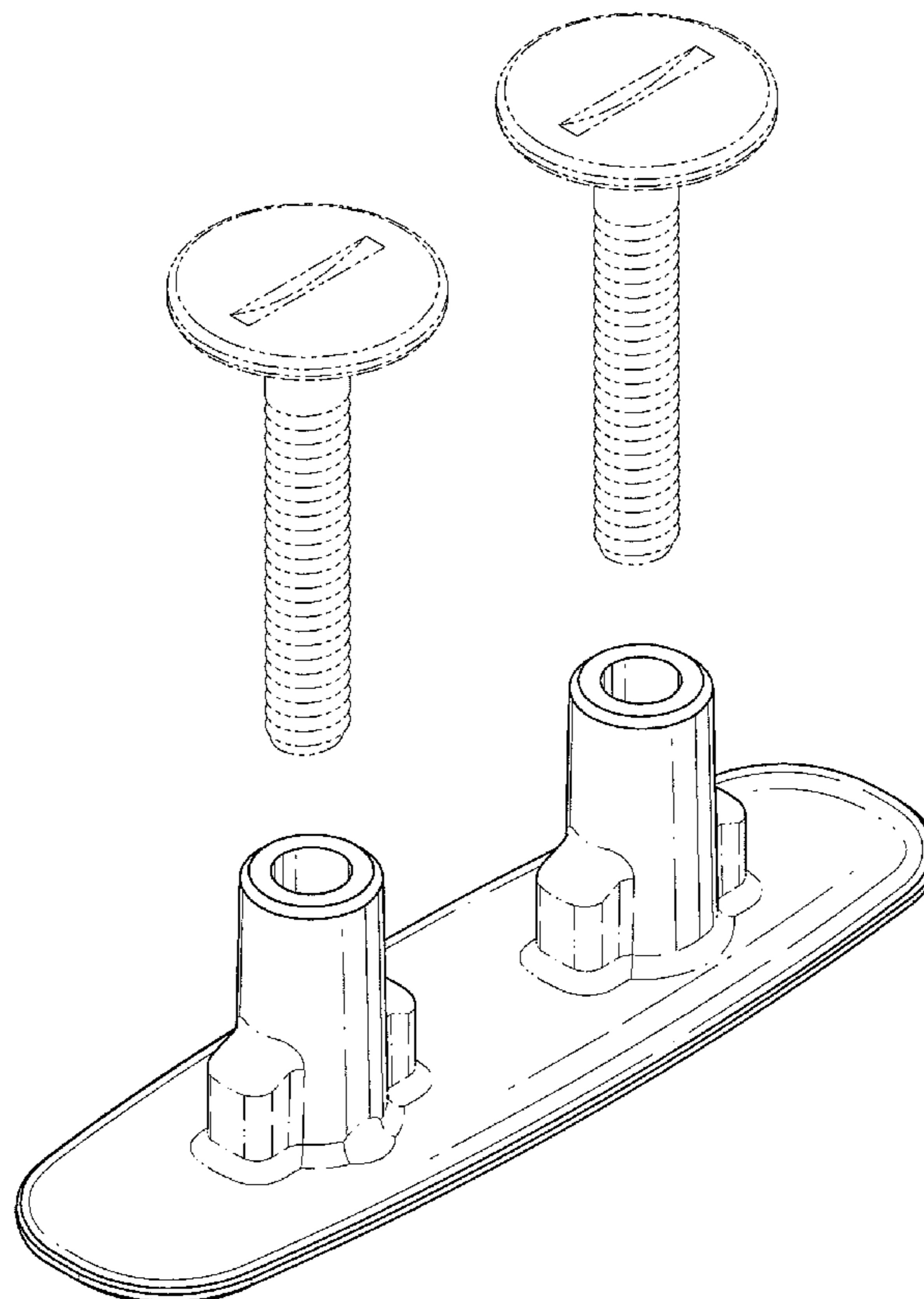
FIG. 4 is a bottom view thereof;

FIG. 5 is a front end view thereof; and,

FIG. 6 is a side view thereof.

Portions of the drawings shown in phantom form no part of claimed design.

1 Claim, 4 Drawing Sheets



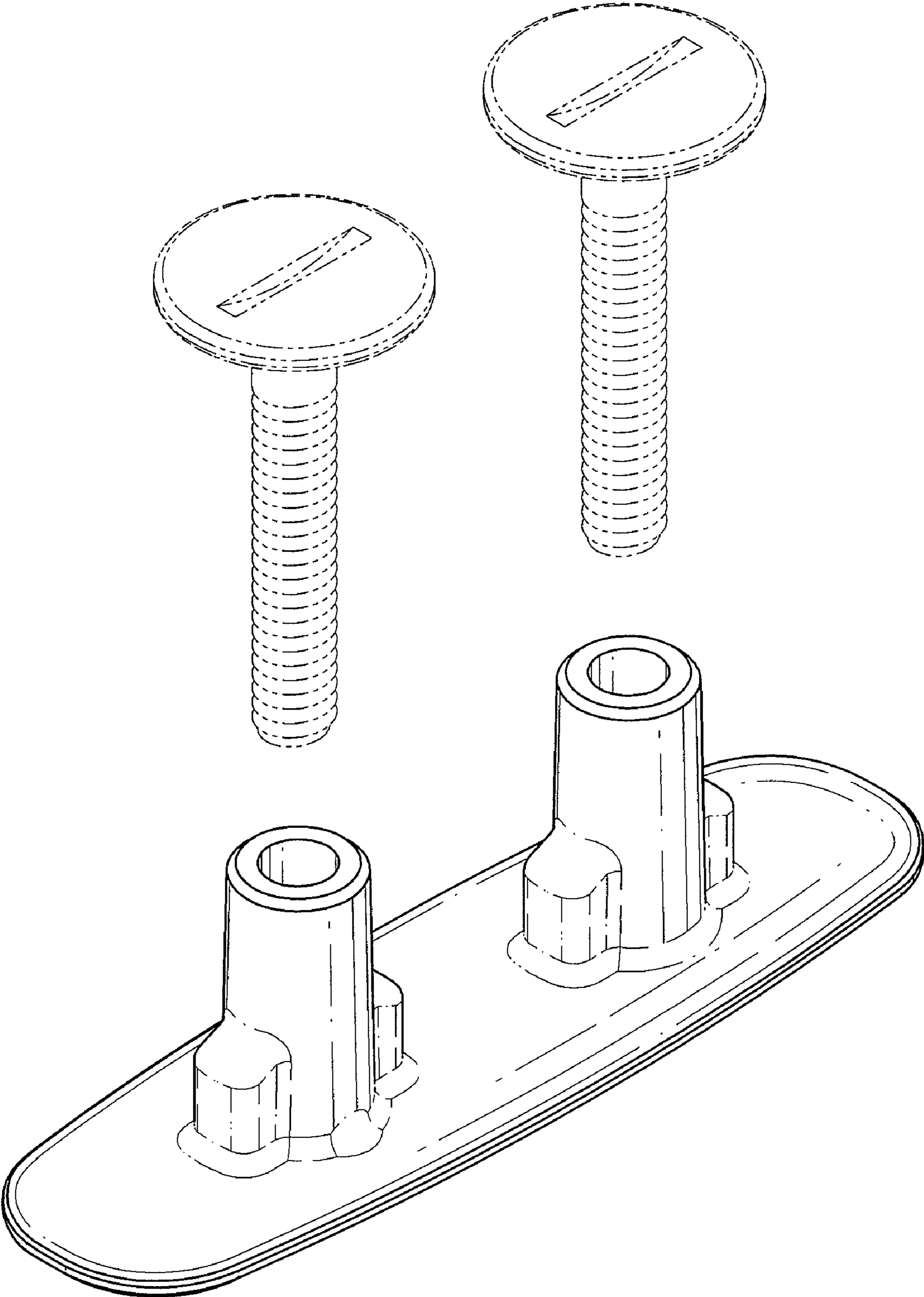


FIG. 1

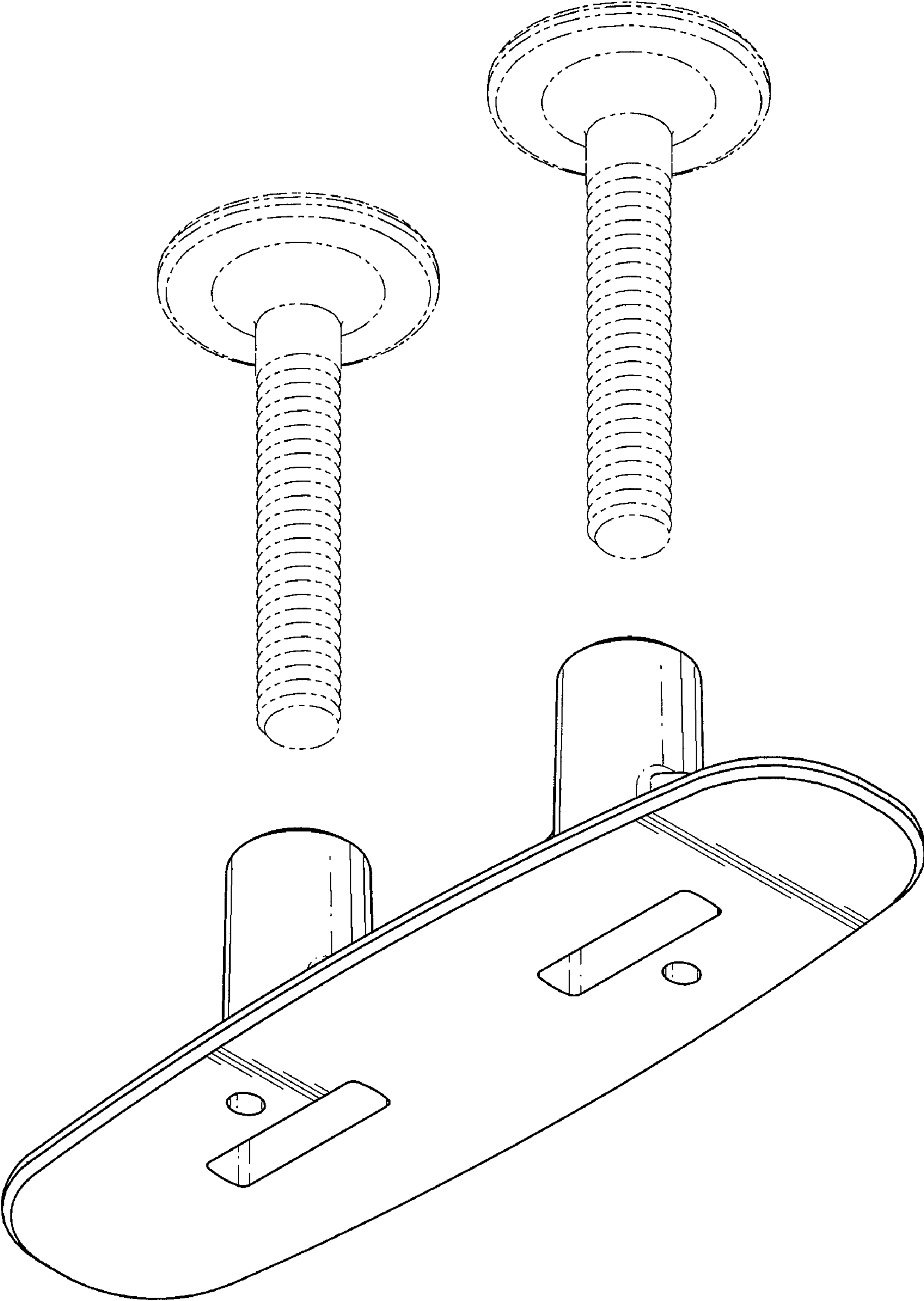


FIG. 2

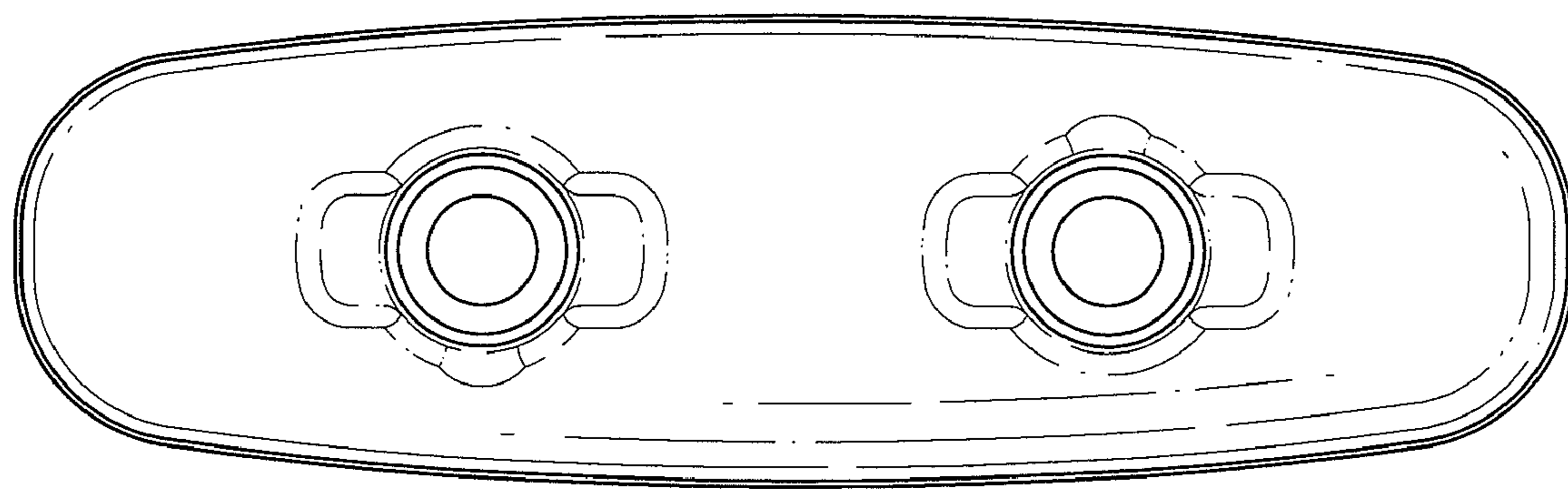


FIG. 3

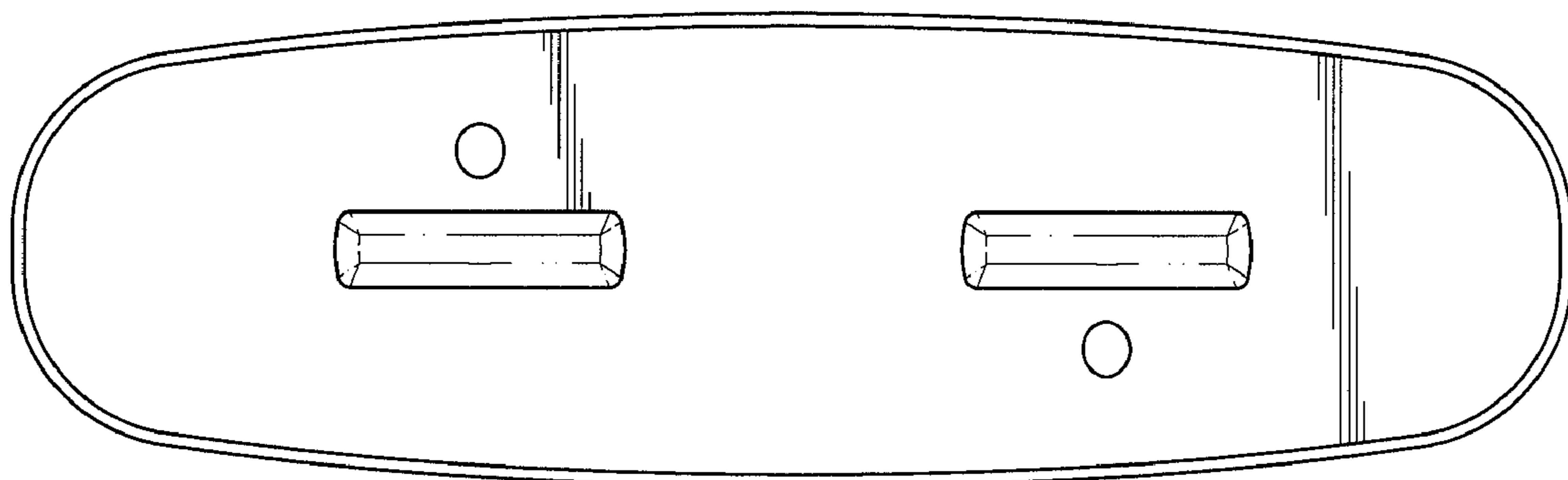


FIG. 4

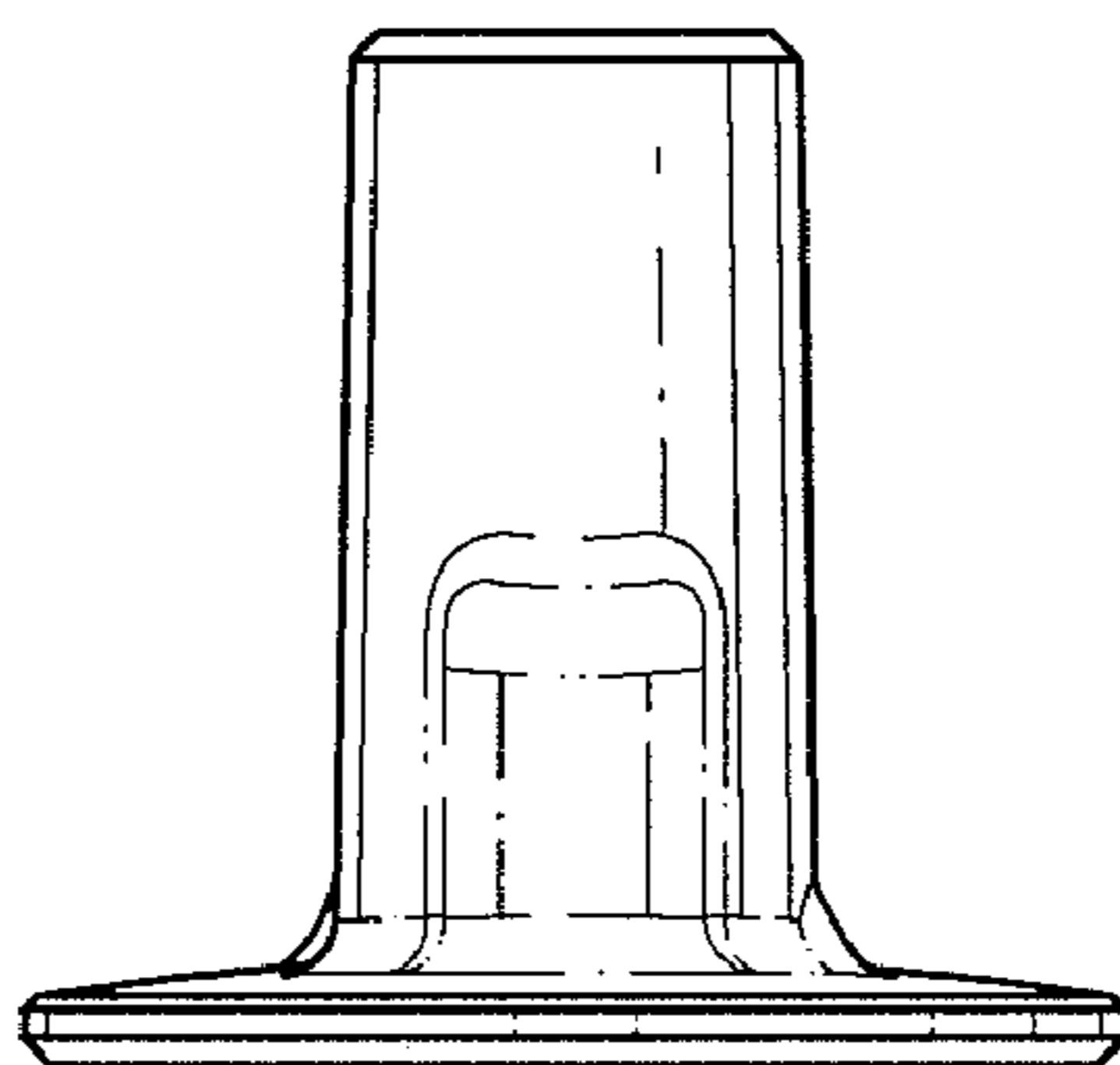


FIG. 5

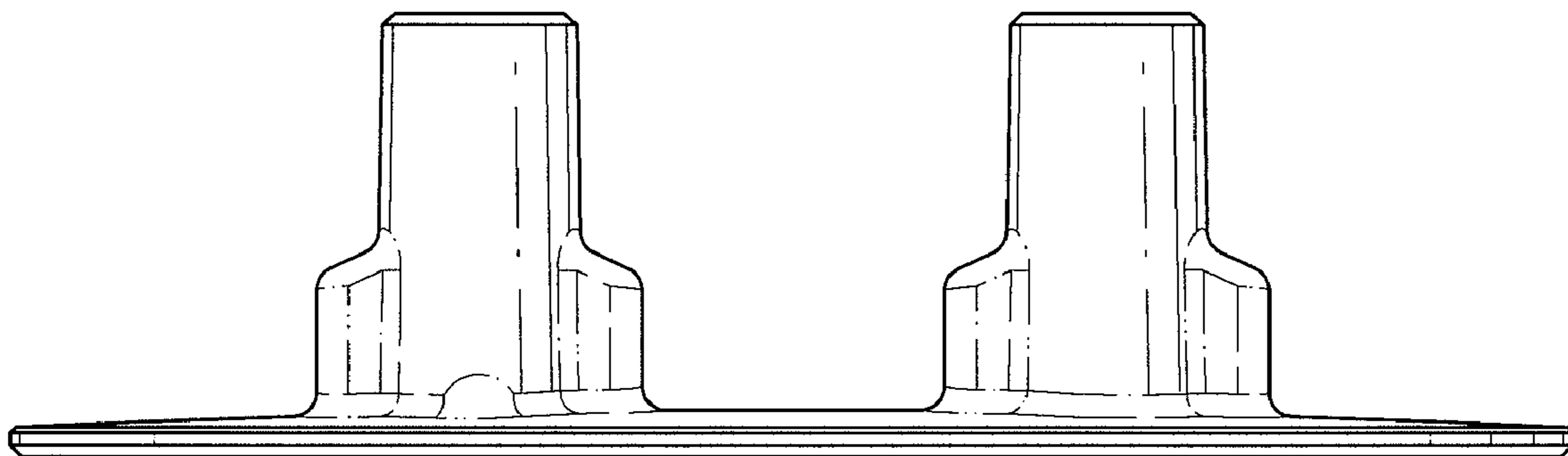


FIG. 6