



US00D621460S

(12) **United States Design Patent**
Serrano et al.

(10) **Patent No.:** **US D621,460 S**

(45) **Date of Patent:** **** Aug. 10, 2010**

(54) **GOLF CLUB HEAD**

(75) Inventors: **Anthony D. Serrano**, Anthem, AZ (US);
Xiaojian Chen, Phoenix, AZ (US)

(73) Assignee: **Karsten Manufacturing Corporation**,
Phoenix, AZ (US)

(**) Term: **14 Years**

(21) Appl. No.: **29/358,702**

(22) Filed: **Mar. 31, 2010**

(51) **LOC (9) Cl.** **21-02**

(52) **U.S. Cl.** **D21/742**

(58) **Field of Classification Search** D21/736-746,
D21/759; 473/324-331, 341-342, 251-256
See application file for complete search history.

(56) **References Cited**

U.S. PATENT DOCUMENTS

1,897,264 A	2/1933	Lamb
1,901,562 A	3/1933	Main
2,014,829 A	9/1935	Young
2,486,952 A	11/1949	Kearsley et al.
3,042,405 A	7/1962	Solheim
D235,668 S	7/1975	Swash
3,954,265 A	5/1976	Taylor
4,222,566 A	9/1980	Berry
4,390,184 A	6/1983	Rudell
4,695,054 A	9/1987	Tunstall
4,714,252 A	12/1987	Roraback
4,722,528 A	2/1988	Tsao
4,741,535 A	5/1988	Leonhardt
4,834,387 A	5/1989	Waites et al.
D324,555 S	3/1992	Evans
D333,331 S	2/1993	Evans
5,211,401 A	5/1993	Hainey
D342,112 S	12/1993	Diesterheft

5,320,346 A	6/1994	Phillips
5,320,353 A	6/1994	Moore
5,324,031 A	6/1994	Green
D356,846 S	3/1995	Murrill
5,482,281 A	1/1996	Anderson
5,580,058 A	12/1996	Coughlin

(Continued)

OTHER PUBLICATIONS

Serrano, et al., "Golf Club Head," U.S. Appl. No. 29/358,700, filed Mar. 31, 2010.

(Continued)

Primary Examiner—Mitchell I Siegel

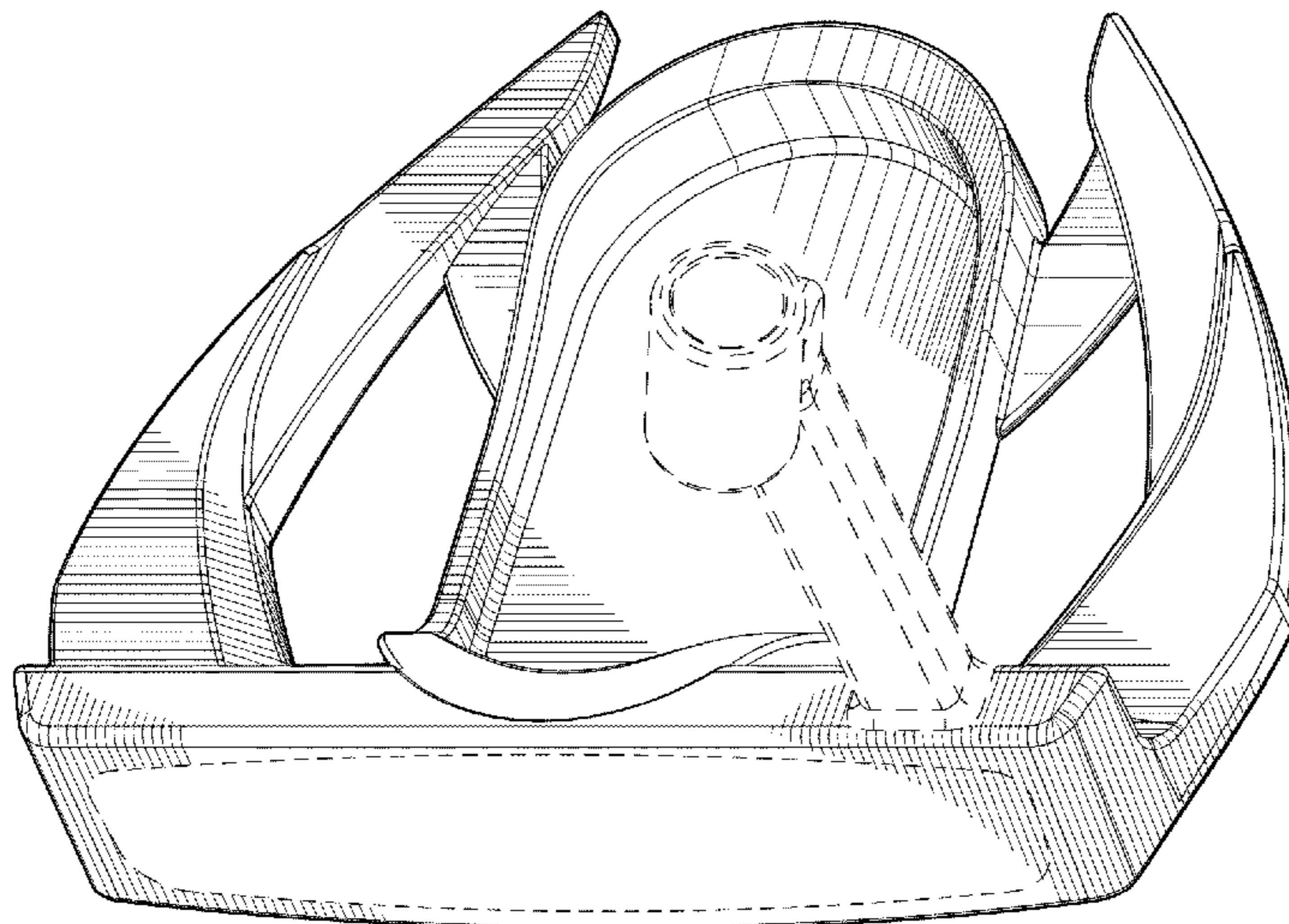
(57) **CLAIM**

The ornamental design for a golf club head, as shown and described.

DESCRIPTION

FIG. 1 is a top perspective view of a golf club head;
 FIG. 2 is a bottom perspective view of the golf club head of FIG. 1;
 FIG. 3 is a top view of the golf club head of FIG. 1;
 FIG. 4 is a bottom view of the golf club head of FIG. 1;
 FIG. 5 is a front elevational view of the golf club head of FIG. 1;
 FIG. 6 is a rear elevational view of the golf club head of FIG. 1;
 FIG. 7 is a left side view of the golf club head of FIG. 1; and,
 FIG. 8 is a right side view of the golf club head of FIG. 1.
 The broken lines shown in one or more of the figures are for illustrative purposes only and form no part of the claimed design.

1 Claim, 4 Drawing Sheets



US D621,460 S

Page 2

U.S. PATENT DOCUMENTS

5,716,290	A	2/1998	Baker et al.	D574,908	S	8/2008	Hettinger et al.
5,820,481	A	10/1998	Raudman	D575,366	S	8/2008	Rollinson
6,402,638	B1	6/2002	Kelley	D577,398	S	9/2008	Hilton
D477,041	S	7/2003	Cameron	D579,505	S	10/2008	Jones
6,634,956	B1	10/2003	Pegg	7,455,599	B2	11/2008	Jones
6,663,497	B2	12/2003	Cameron	D582,497	S	12/2008	Rollinson
D488,200	S	4/2004	Olsavsky et al.	D585,510	S	1/2009	Murrieta
D494,237	S	8/2004	Ware	7,481,713	B2	1/2009	Beckman
D499,778	S	12/2004	Cameron	D587,325	S	2/2009	Solheim et al.
D500,109	S	12/2004	Solheim et al.	D590,035	S	4/2009	Hilton
D500,110	S	12/2004	Solheim et al.	D590,461	S	4/2009	Kim et al.
D500,539	S	1/2005	Holloway	D591,371	S	4/2009	Hilton
D502,234	S	2/2005	Grace	D591,372	S	* 4/2009	Tang et al. D21/743
D502,748	S	3/2005	Burrows	D591,806	S	5/2009	Cameron
D505,702	S	5/2005	Wood	D591,807	S	5/2009	Rollinson
D506,796	S	6/2005	Li	D592,717	S	5/2009	Rollinson
D507,613	S	7/2005	Baiocchi	D594,073	S	6/2009	Kadoya
D508,273	S	8/2005	Garner et al.	D594,517	S	* 6/2009	Tang et al. D21/736
D510,394	S	10/2005	Tang et al.	D594,917	S	6/2009	Stellander
6,960,140	B2	11/2005	Solheim et al.	D595,372	S	6/2009	Rollinson
6,966,845	B2	11/2005	Solheim et al.	D595,373	S	6/2009	Kim et al.
D514,182	S	1/2006	Olsavsky et al.	D595,793	S	7/2009	Rollinson
D515,646	S	2/2006	Perry	D596,685	S	7/2009	Wallans
7,004,849	B2	2/2006	Cameron	D599,423	S	9/2009	Serrano et al.
D517,143	S	3/2006	Petsel et al.	D599,424	S	9/2009	Serrano et al.
D518,127	S	3/2006	Tang et al.	D599,425	S	9/2009	Laub
D520,583	S	5/2006	Rollinson et al.	D599,868	S	9/2009	Serrano et al.
D521,582	S	5/2006	Souza et al.	D599,869	S	9/2009	Serrano et al.
7,052,411	B2	5/2006	Solheim et al.	D599,870	S	* 9/2009	Serrano et al. D21/736
D522,598	S	6/2006	Solheim et al.	D600,298	S	9/2009	Serrano et al.
7,077,758	B2	7/2006	Rohrer	D600,760	S	9/2009	Serrano et al.
D527,777	S	9/2006	Solheim et al.	D600,761	S	9/2009	Solheim et al.
D529,560	S	10/2006	Madore	D600,762	S	* 9/2009	Serrano et al. D21/743
D532,842	S	11/2006	Jones et al.	D601,214	S	9/2009	Serrano et al.
D532,843	S	11/2006	Jones et al.	D603,008	S	10/2009	Donahue
D532,845	S	11/2006	Rollinson	7,601,076	B2	10/2009	Rollinson
D532,846	S	11/2006	Lee et al.	D606,139	S	* 12/2009	Ines et al. D21/736
D533,243	S	12/2006	Fife, Jr. et al.	7,645,199	B2	1/2010	Cameron
D533,609	S	12/2006	Moore et al.	2003/0228925	A1	12/2003	Rohrer
7,147,569	B2	12/2006	Tang et al.	2007/0021229	A1	1/2007	Haack
D534,974	S	1/2007	Haack	2007/0049402	A1	3/2007	Sanchez et al.
D536,400	S	2/2007	DiBattista, Sr.	2007/0298904	A1	12/2007	Dworzan
D537,135	S	2/2007	Rollinson et al.	2009/0029800	A1	1/2009	Jones et al.
D539,860	S	4/2007	Fussell	2009/0105008	A1	4/2009	Kuan et al.
D542,873	S	5/2007	Oldknow et al.	2009/0170629	A1	7/2009	Hilton
D545,385	S	6/2007	Tang et al.	2009/0270196	A1	10/2009	Solheim et al.
D548,295	S	8/2007	Jertson et al.	2009/0270198	A1	10/2009	Solheim et al.
7,255,650	B2	8/2007	Braynt et al.	2009/0305806	A1	12/2009	Campadore et al.
D552,197	S	10/2007	Wells et al.	2009/0305807	A1	12/2009	Solheim et al.
D557,361	S	12/2007	Rollinson et al.				
7,326,121	B2 *	2/2008	Roake 473/251				
D564,606	S	3/2008	Oldknow et al.				
D564,607	S	3/2008	Oldknow et al.				
D565,138	S	3/2008	Wilson				
D569,461	S	5/2008	Morris				
D569,462	S	5/2008	Rollinson				
D571,877	S	6/2008	Jones et al.				
D571,879	S	6/2008	Jones et al.				
7,390,267	B2	6/2008	Grace				
D573,673	S	7/2008	Noyes				
D574,907	S	8/2008	Jones et al.				

OTHER PUBLICATIONS

Serrano et al., "Golf Club Head," U.S. Appl. No. 29/358,701, filed Mar. 31, 2010.
 Serrano et al., "Golf Club Head," U.S. Appl. No. 29/358,703, filed Mar. 31, 2010.
 Serrano et al., "Golf Club Head," U.S. Appl. No. 29/358,704, filed Mar. 31, 2010.
 Serrano et al., "Golf Club Head," U.S. Appl. No. 29/358,707, filed Mar. 31, 2010.
 Serrano et al., "Golf Club Head," U.S. Appl. No. 29/358,709, filed Mar. 31, 2010.

* cited by examiner

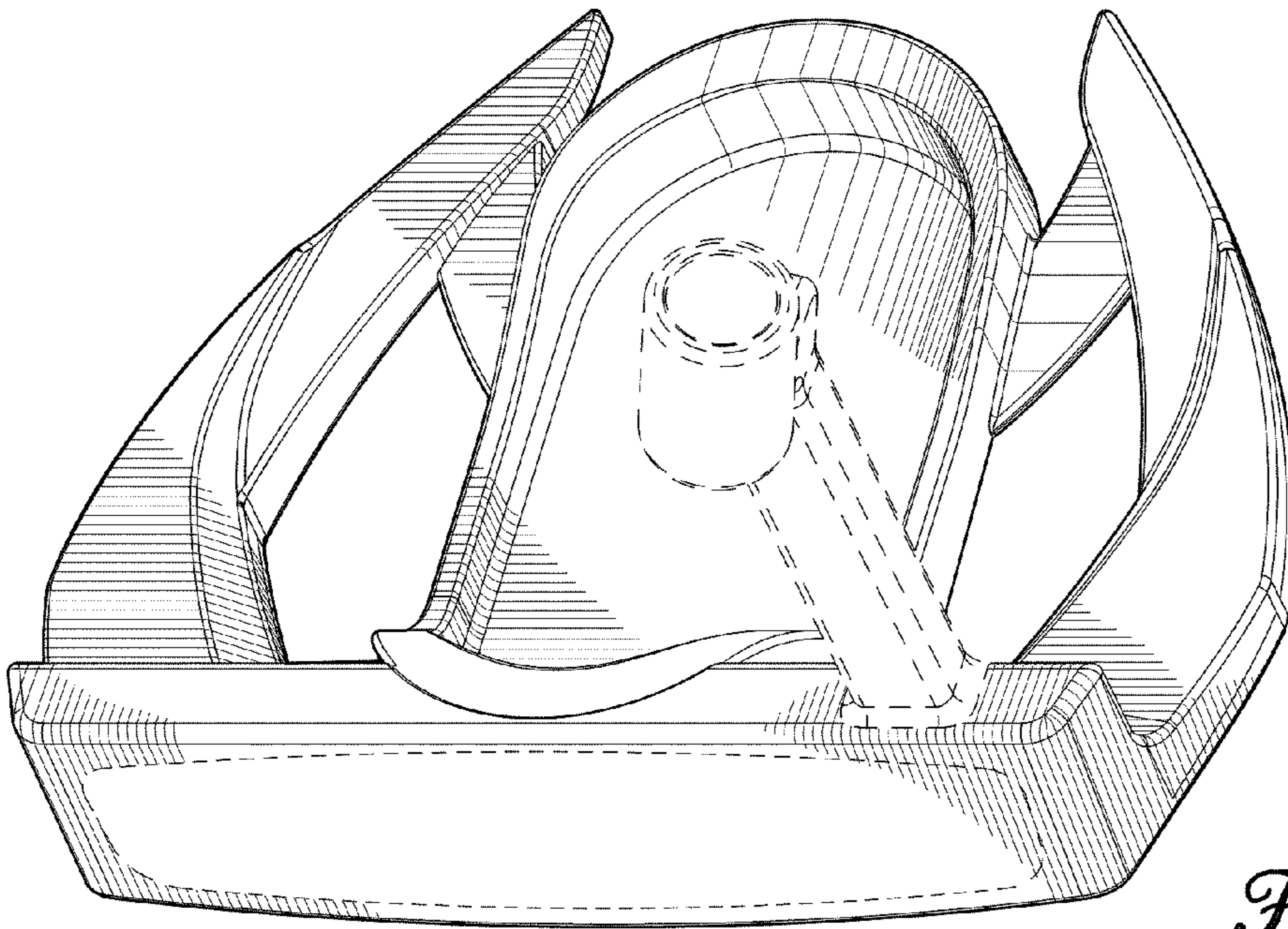


Fig. 1

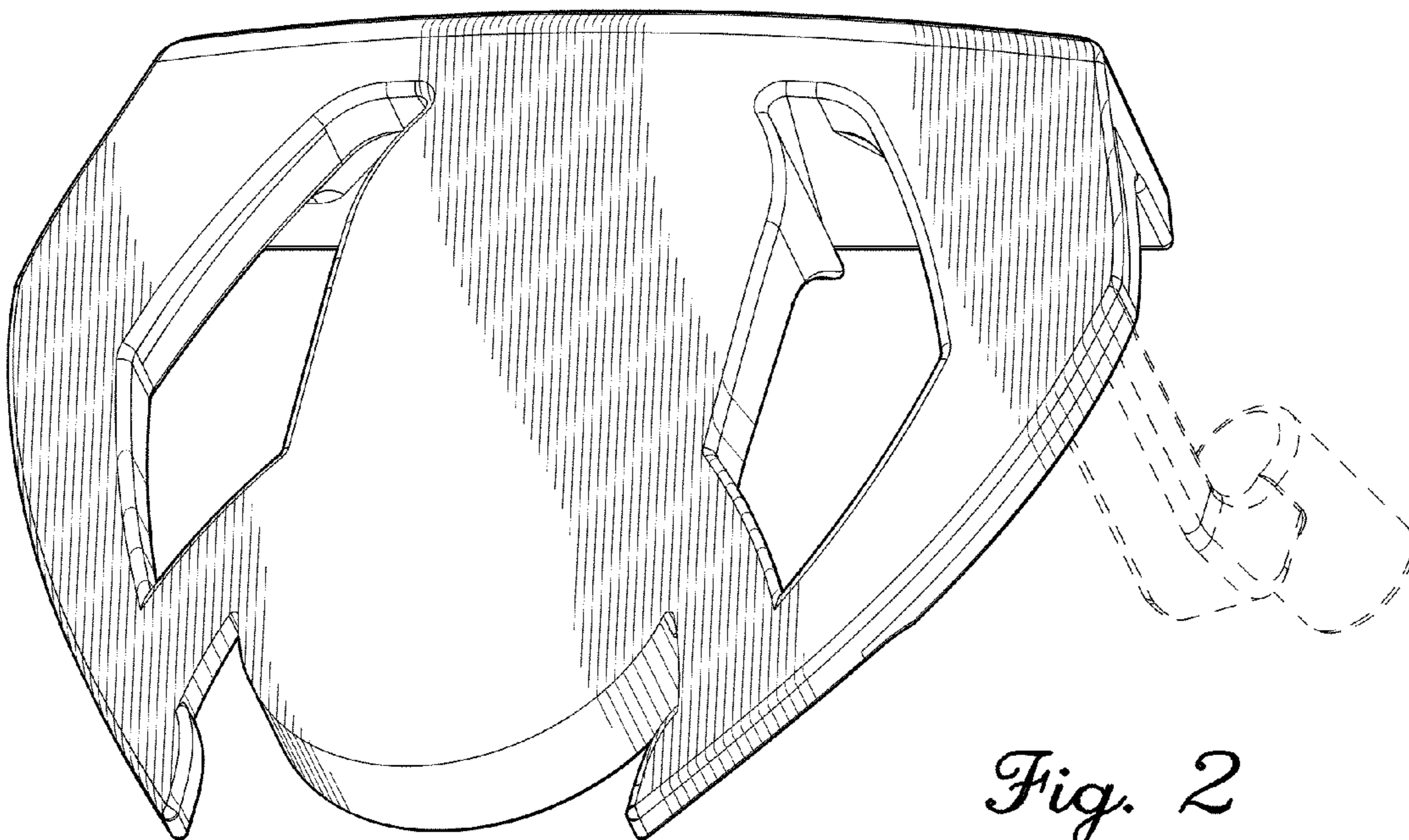


Fig. 2

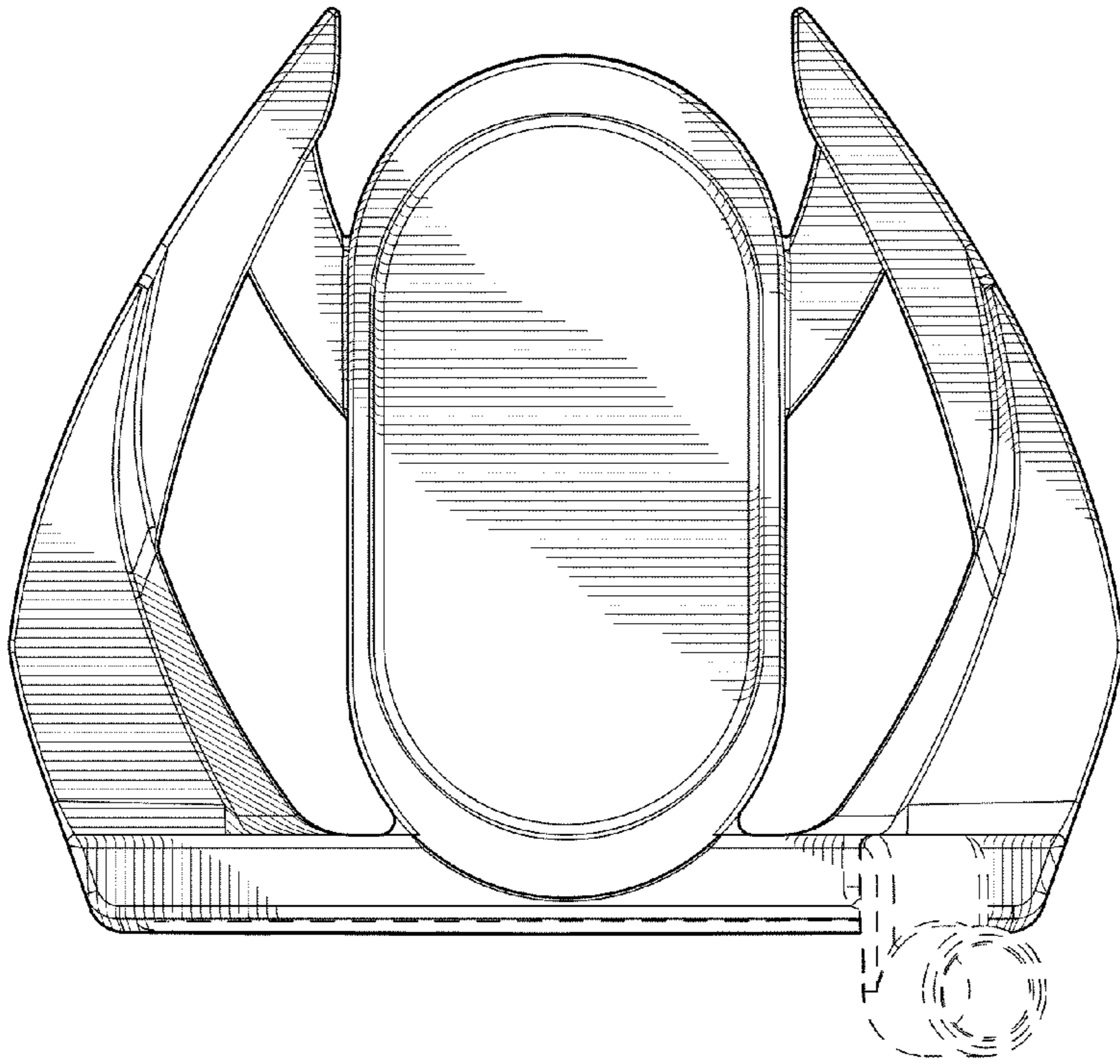


Fig. 3

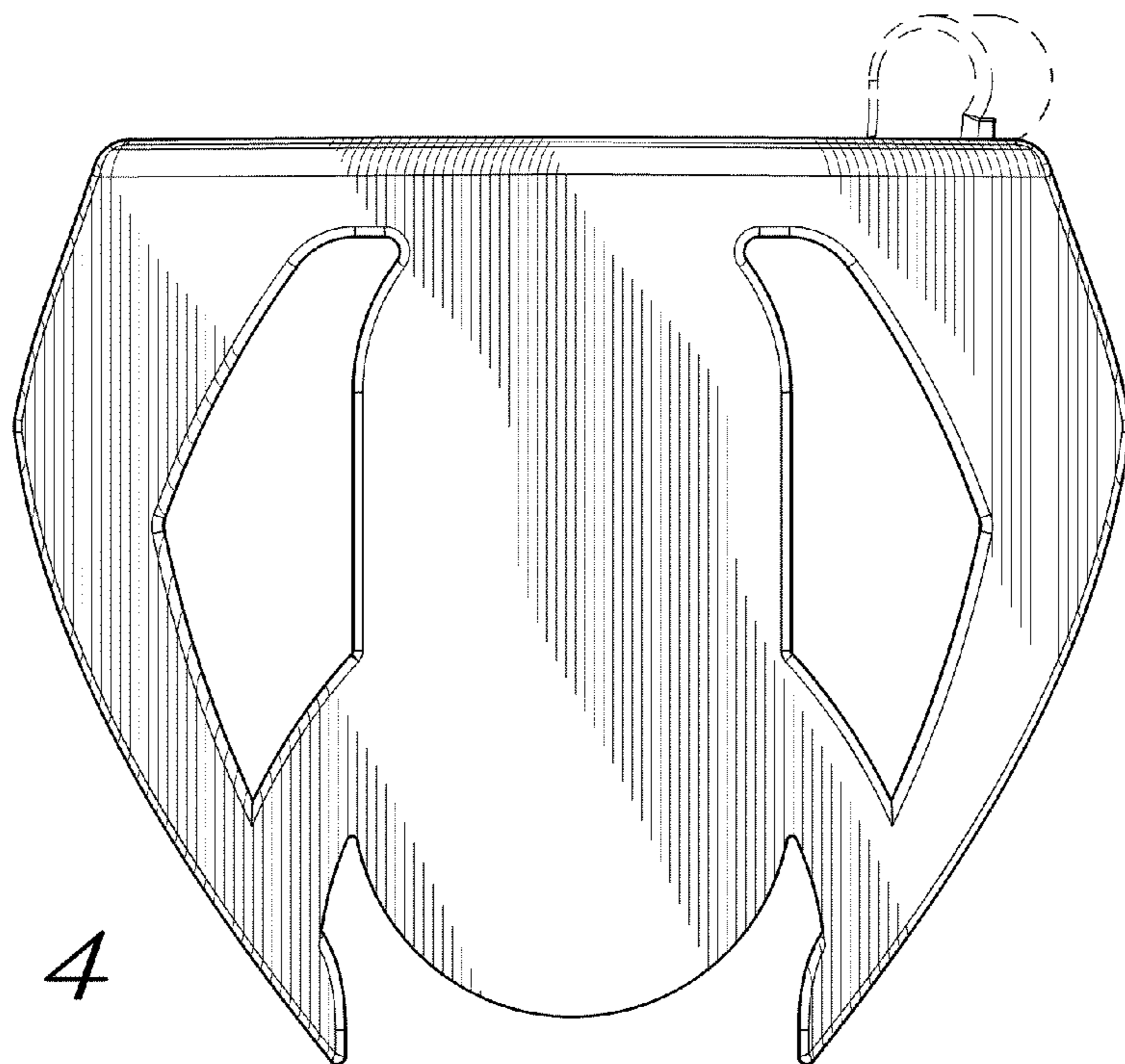


Fig. 4

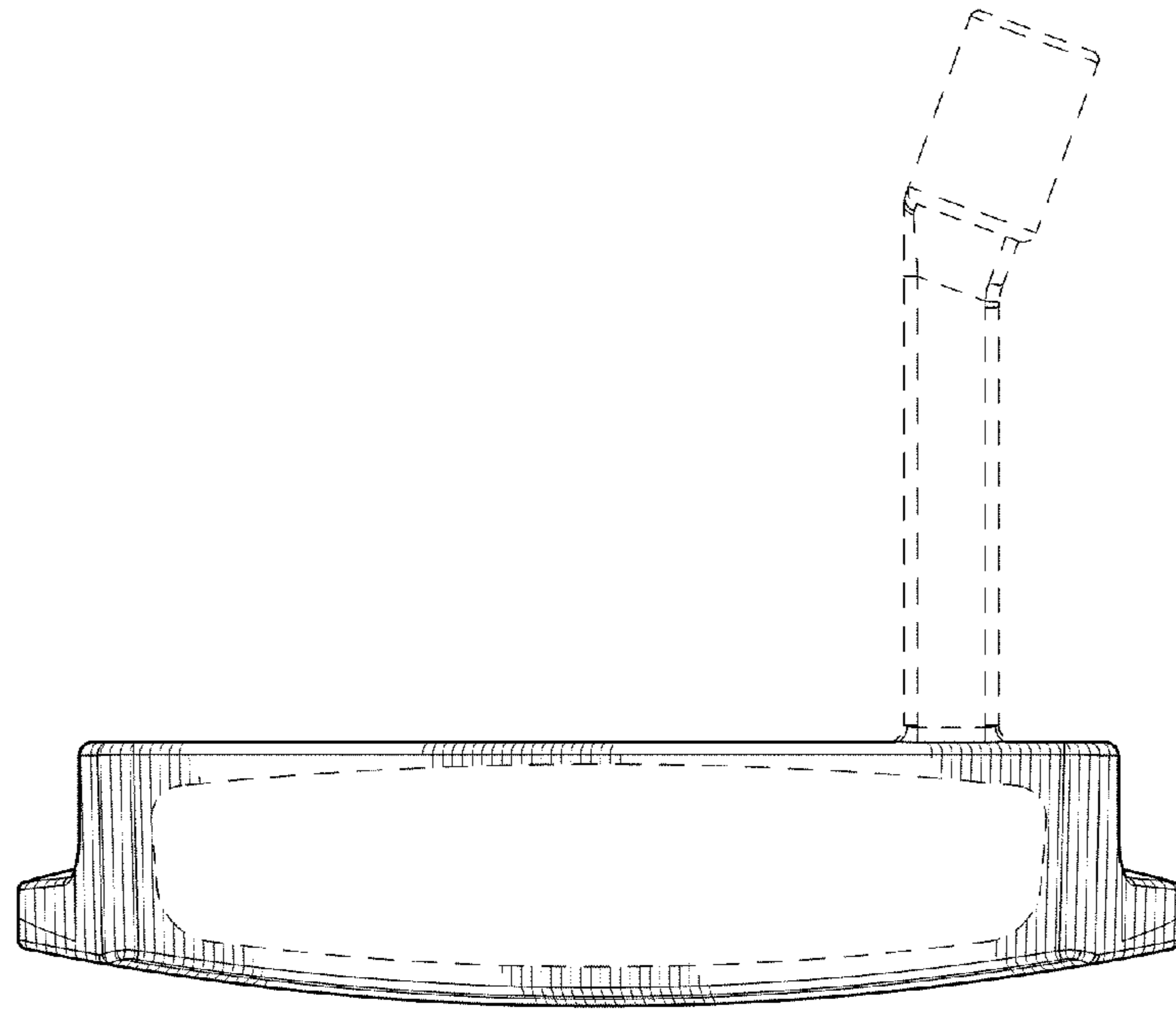


Fig. 5

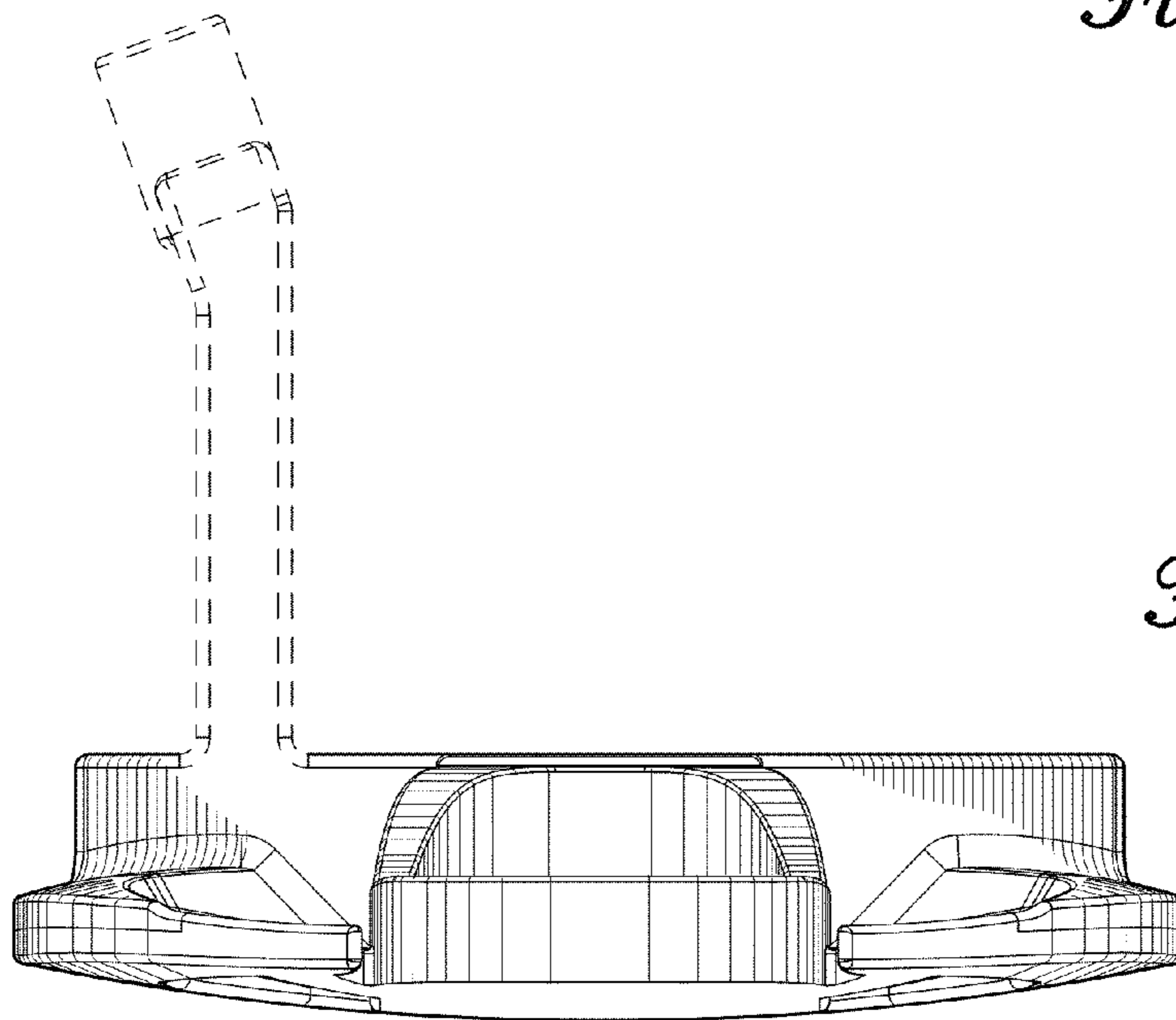


Fig. 6

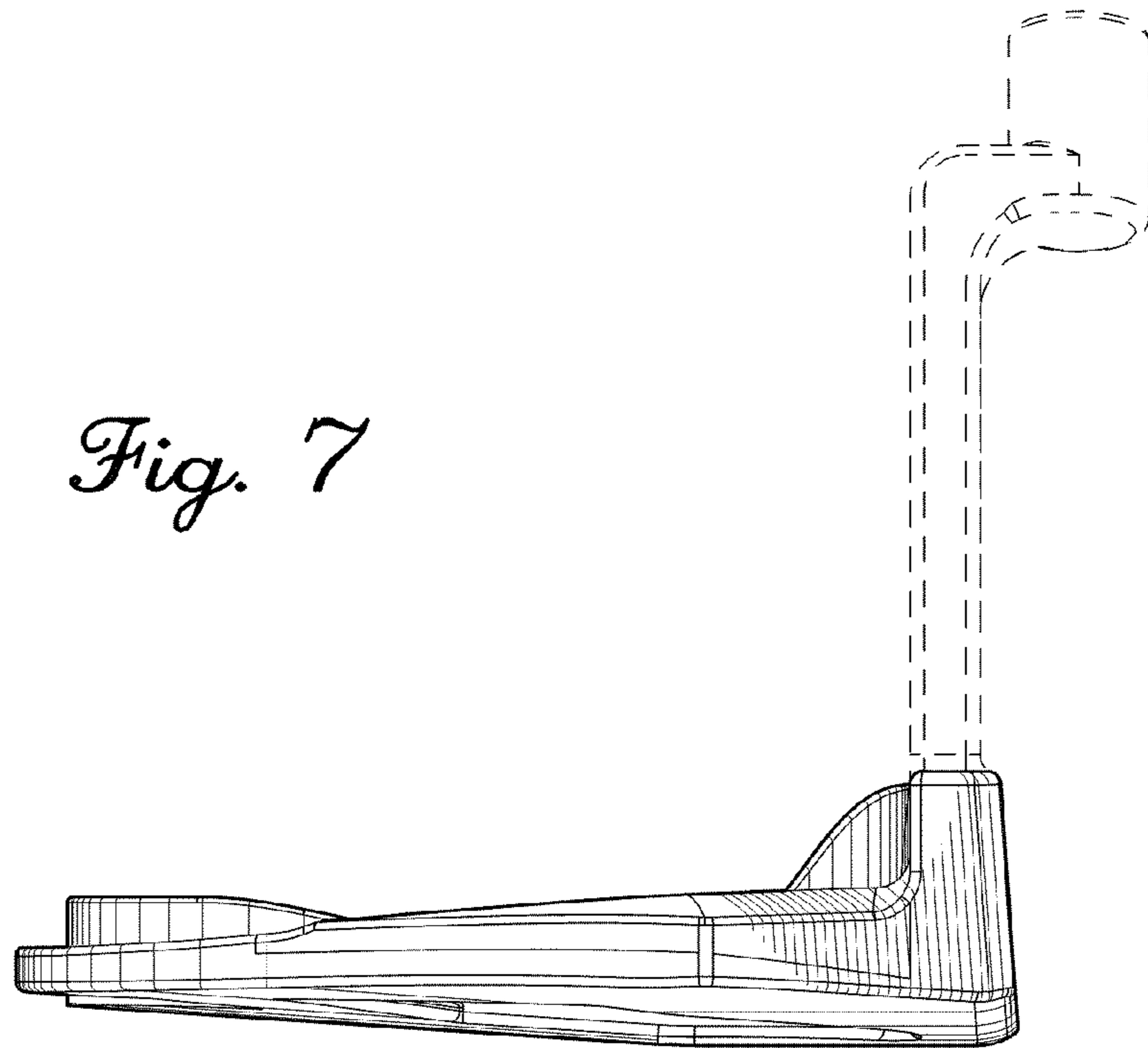


Fig. 7

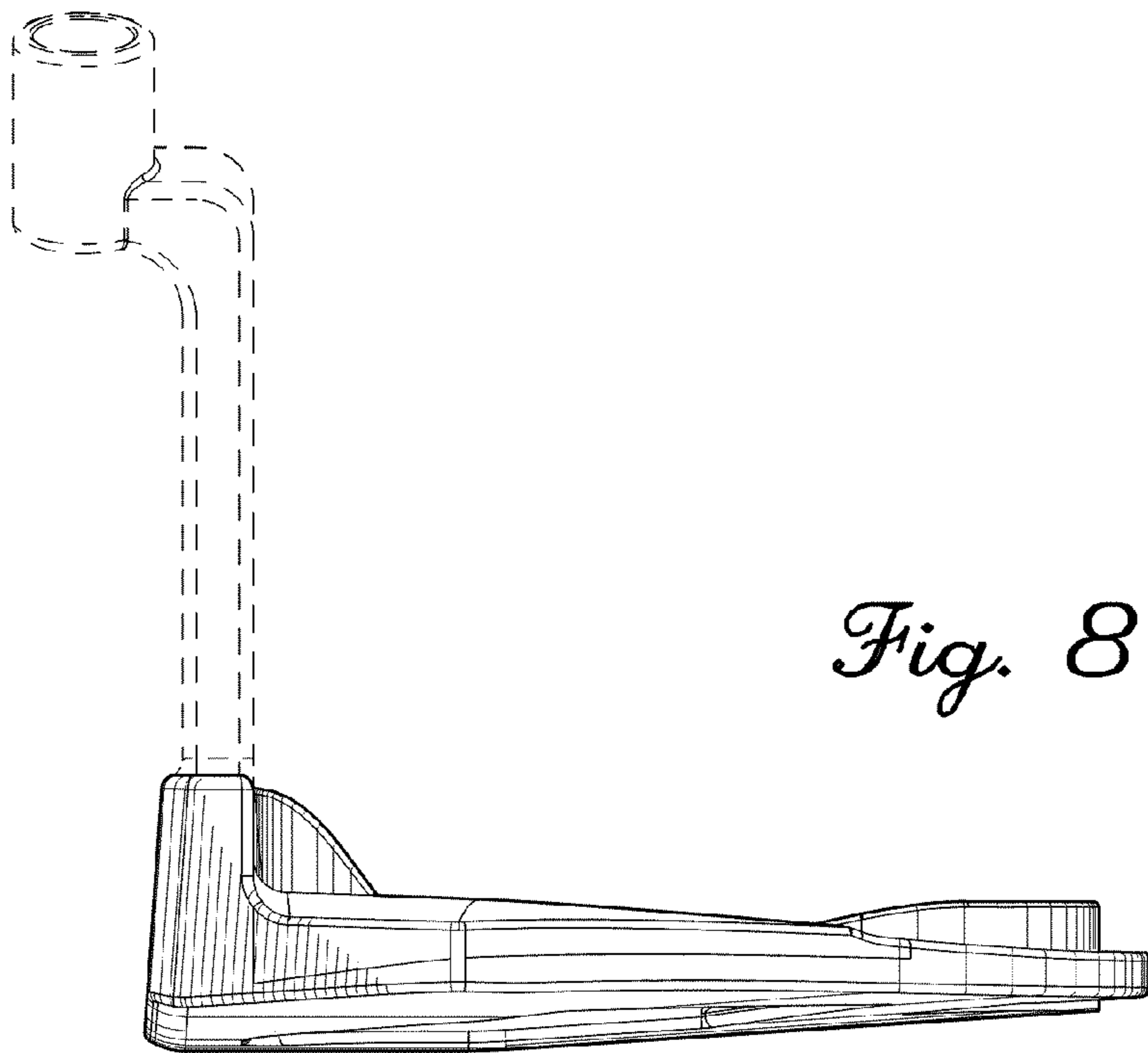


Fig. 8