



US00D621452S

(12) **United States Design Patent**
Wong

(10) **Patent No.:** **US D621,452 S**

(45) **Date of Patent:** **** Aug. 10, 2010**

(54) **SQUIRTING TOY WITH HANDLE**

(75) Inventor: **Veronica Wong**, Jardines Lookout (HK)

(73) Assignee: **Easeon Services, Ltd.**, Kwun Tong (HK)

(**) Term: **14 Years**

(21) Appl. No.: **29/342,890**

(22) Filed: **Sep. 2, 2009**

(51) **LOC (9) Cl.** **21-01**

(52) **U.S. Cl.** **D21/572**

(58) **Field of Classification Search** D21/401,
D21/454, 461, 567-575, 597; D22/103,
D22/105; 446/23, 153-156, 159, 267, 473;
222/78, 79, 94, 209; 239/211, 237, 329,
239/373; 124/6, 26-29, 54, 63-65, 73-75;
D23/223, 226, 231; 42/54, 55, 57, 58; 4/255.02
See application file for complete search history.

(56) **References Cited**

U.S. PATENT DOCUMENTS

213,050 A	3/1879	Lewis	
D26,839 S	3/1897	Lines	
1,031,526 A	7/1912	Cloud, Jr.	
1,394,456 A	10/1921	Wanat	
D60,050 S	12/1921	Mohler	
D75,635 S *	6/1928	McMarlin et al.	D21/574
1,832,330 A *	11/1931	Stark	124/27
D141,748 S *	7/1945	Bloom	D21/454
2,573,375 A	10/1951	Winstead	
D191,776 S *	11/1961	Popper	D21/574
D198,039 S *	4/1964	Campbell	D21/573
D205,674 S *	9/1966	Powers	D21/573
3,299,891 A	1/1967	Smeton	
D221,785 S *	9/1971	Ishag	D21/401
D225,755 S	1/1973	Hale	
3,884,229 A	5/1975	Raines et al.	
3,934,280 A *	1/1976	Tancredi	4/255.02
D240,130 S	6/1976	Folke	
4,193,517 A	3/1980	Fetty et al.	
4,257,460 A *	3/1981	Paranay et al.	446/473
4,274,223 A	6/1981	Morrison et al.	

D262,079 S	12/1981	Rankin	
4,383,387 A	5/1983	Puskar	
D278,452 S *	4/1985	Makhouljian	D21/573
4,548,190 A	10/1985	Megargee	

(Continued)

FOREIGN PATENT DOCUMENTS

GB 2045097 10/1980

OTHER PUBLICATIONS

U.S. Appl. No. 29/302,703, filed Jan. 23, 2008.

(Continued)

Primary Examiner—Cynthia M Chin

(74) *Attorney, Agent, or Firm*—Amster, Rothstein & Ebenstein LLP

(57) **CLAIM**

The ornamental design for a squirting toy with handle, as shown and described.

DESCRIPTION

FIG. 1 is a perspective view of a squirting toy with handle showing my new design;

FIG. 2 is a front end view thereof;

FIG. 3 is a rear end view thereof;

FIG. 4 is a side view thereof;

FIG. 5 is an opposite side view thereof;

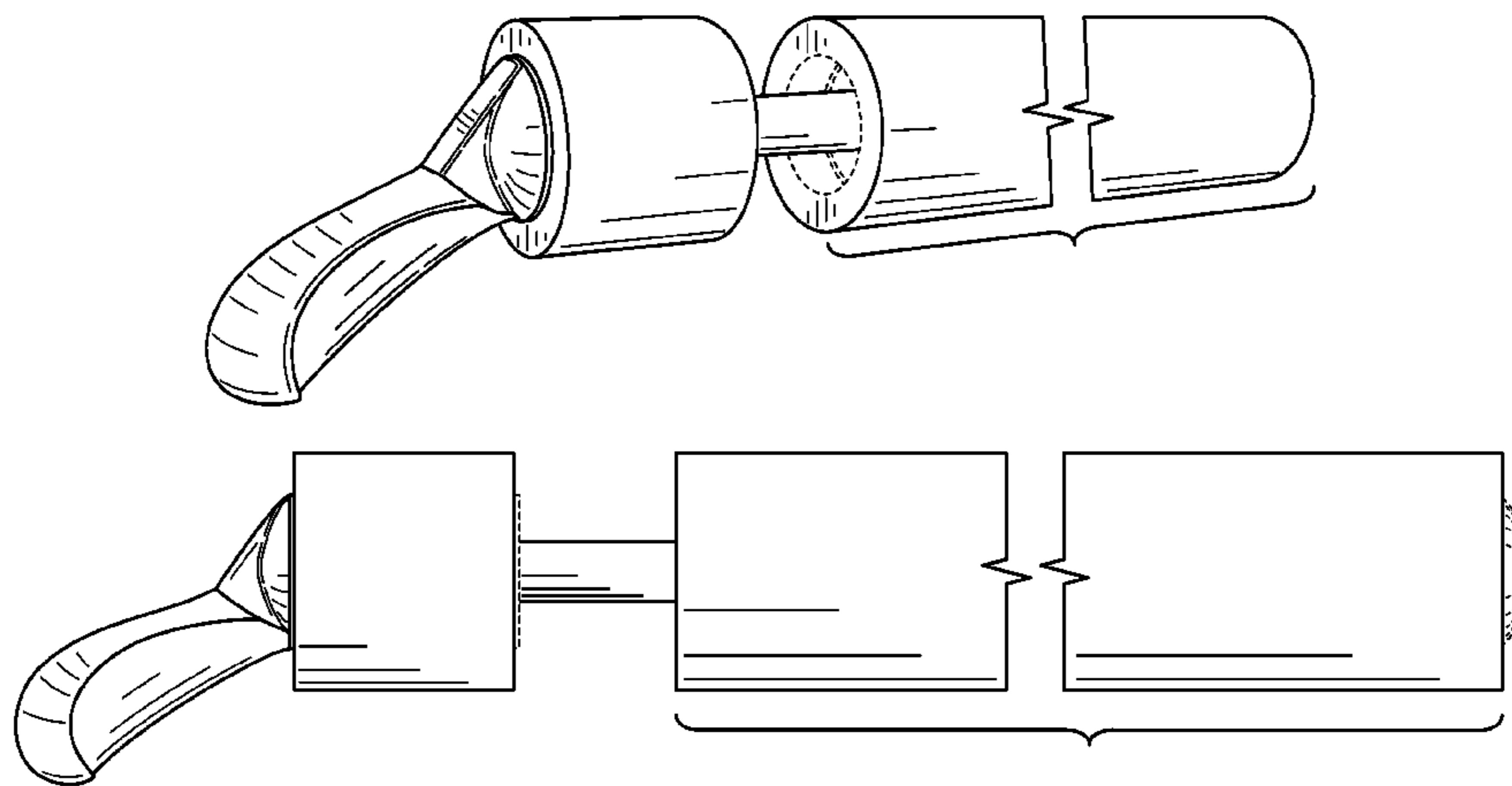
FIG. 6 is a top view thereof; and,

FIG. 7 is a bottom view thereof.

Portions of the claimed design shown in FIGS. 1 and 4-7 are shown separated and bound by a bracket to indicate that no particular length is being claimed.

The broken lines immediately adjacent the shaded areas represent the bounds of the claim and all other broken lines represent unclaimed portions of the design. None of the broken lines form a part of the claimed design.

1 Claim, 4 Drawing Sheets



US D621,452 S

U.S. PATENT DOCUMENTS

4,597,527 A	7/1986	Sands	6,039,460 A	3/2000	Ng et al.
4,615,488 A	10/1986	Sands	D424,932 S	5/2000	Seidler
4,627,796 A	12/1986	Moore	D446,122 S	8/2001	Weinstein et al.
4,673,007 A	6/1987	Huang	D449,982 S	11/2001	Ferris
4,733,799 A	3/1988	Wiskur	6,474,858 B1	11/2002	Liao
4,796,785 A	1/1989	Merritt	D470,761 S	2/2003	Kelvie
4,809,483 A	3/1989	Lovik	6,568,985 B1	5/2003	Binkley
D302,848 S *	8/1989	Kao D23/226	6,638,172 B1	10/2003	Demars
4,867,208 A *	9/1989	Fitzgerald et al. 222/94	D481,770 S	11/2003	Choy
4,919,600 A	4/1990	Yang	6,722,679 B2	4/2004	Englert
4,963,847 A	10/1990	Cambreleng et al.	D494,856 S	8/2004	Hillard
D315,095 S	3/1991	Wright	6,790,112 B2	9/2004	Kirk
5,009,413 A	4/1991	Allen	6,808,436 B1	10/2004	Siu
D320,469 S	10/1991	Hoenig	6,843,695 B1	1/2005	Jackson et al.
5,061,252 A	10/1991	Dragosits	D514,633 S	2/2006	Zheng
5,120,261 A	6/1992	Dietzman	D515,148 S *	2/2006	Henriques D21/567
D328,248 S	7/1992	Ruff	6,997,770 B2	2/2006	Lapointe
5,181,644 A	1/1993	Ferrell	D517,411 S	3/2006	Okimoto
5,199,114 A	4/1993	Christopher	7,025,228 B2	4/2006	Cuisinier
D336,354 S	6/1993	Ringe	D524,881 S	7/2006	Orlowski et al.
D336,668 S	6/1993	D'Andrade	D528,914 S	9/2006	Williams
D337,354 S	7/1993	Childs	D536,040 S	1/2007	Orr et al.
5,224,633 A	7/1993	Senart	7,264,522 B2	9/2007	Lee et al.
D338,697 S	8/1993	Salmon et al.	7,281,642 B2	10/2007	Orlowski
5,231,951 A	8/1993	Tagar et al.	D557,356 S	12/2007	Johnston et al.
D339,616 S *	9/1993	Flaherty D21/572	D557,357 S	12/2007	Johnston et al.
5,255,708 A	10/1993	Liparoto et al.	D558,278 S	12/2007	Johnston et al.
5,256,099 A	10/1993	Rudell et al.	D558,279 S	12/2007	Chen
5,266,069 A	11/1993	Thorne	7,318,762 B2 *	1/2008	Goldmeier 446/153
D344,311 S	2/1994	Liu	D564,854 S	3/2008	Thompson
D344,556 S	2/1994	Liu	D566,203 S *	4/2008	Selevan D21/572
5,305,918 A	4/1994	D'Andrade	D570,687 S	6/2008	Kelders et al.
D351,007 S	9/1994	Bednar et al.	D574,443 S	8/2008	Wong
5,350,058 A	9/1994	Keough	D590,027 S	4/2009	Chia
D352,093 S	11/1994	Knycha	7,571,837 B2 *	8/2009	Orlowski 446/153
D353,170 S *	12/1994	Shirai et al. D21/573	7,604,184 B1 *	10/2009	Chen 446/153
D354,093 S	1/1995	Hamlin	2003/0071077 A1	4/2003	Panzarella
5,389,033 A	2/1995	Rauch	2003/0124922 A1	7/2003	Sowry et al.
D357,886 S	5/1995	Fuller	2003/0156590 A1	8/2003	Paul et al.
D358,178 S *	5/1995	O'Dell D21/573	2005/0106963 A1	5/2005	Ross
D358,185 S	5/1995	Hope, II	2005/0184098 A1	8/2005	Dixon
D360,439 S	7/1995	Lewinski	2005/0196287 A1	9/2005	Olich
D361,105 S	8/1995	Griffin	2006/0027596 A1	2/2006	Walther et al.
D362,801 S	10/1995	Milroy	2007/0000942 A1	1/2007	Wong et al.
D368,280 S	3/1996	Brown	2008/0035680 A1	2/2008	Orlowski
5,499,858 A	3/1996	Her	2008/0051002 A1	2/2008	Chung Wong
5,667,419 A	9/1997	Spector	2008/0054019 A1	3/2008	Stechschulte et al.
5,683,250 A	11/1997	Paivanas	2008/0121652 A1	5/2008	Orlowski et al.
5,788,617 A	8/1998	Paris			
5,865,438 A	2/1999	Zilliox			
5,928,053 A	7/1999	Henderson			
5,988,442 A	11/1999	Corey et al.			
5,992,697 A	11/1999	James			
6,027,393 A	2/2000	O'Rourke			

OTHER PUBLICATIONS

U.S. Appl. No. 29/302,709, filed Jan. 23, 2008.
Prime Time Toys, Ltd. v. Jakks Pacific, Inc. No. 2008-CV-2909,
documents produced by Defendant Jakks Pacific, Inc.

* cited by examiner

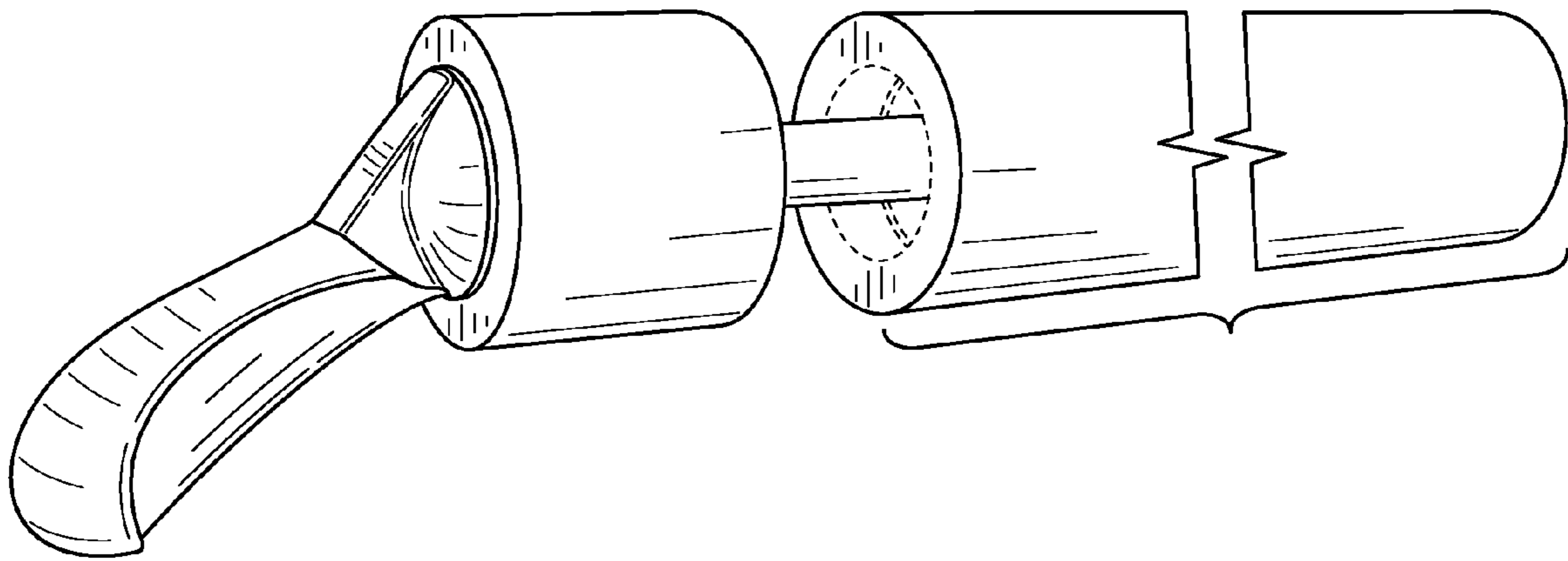


FIG. 1

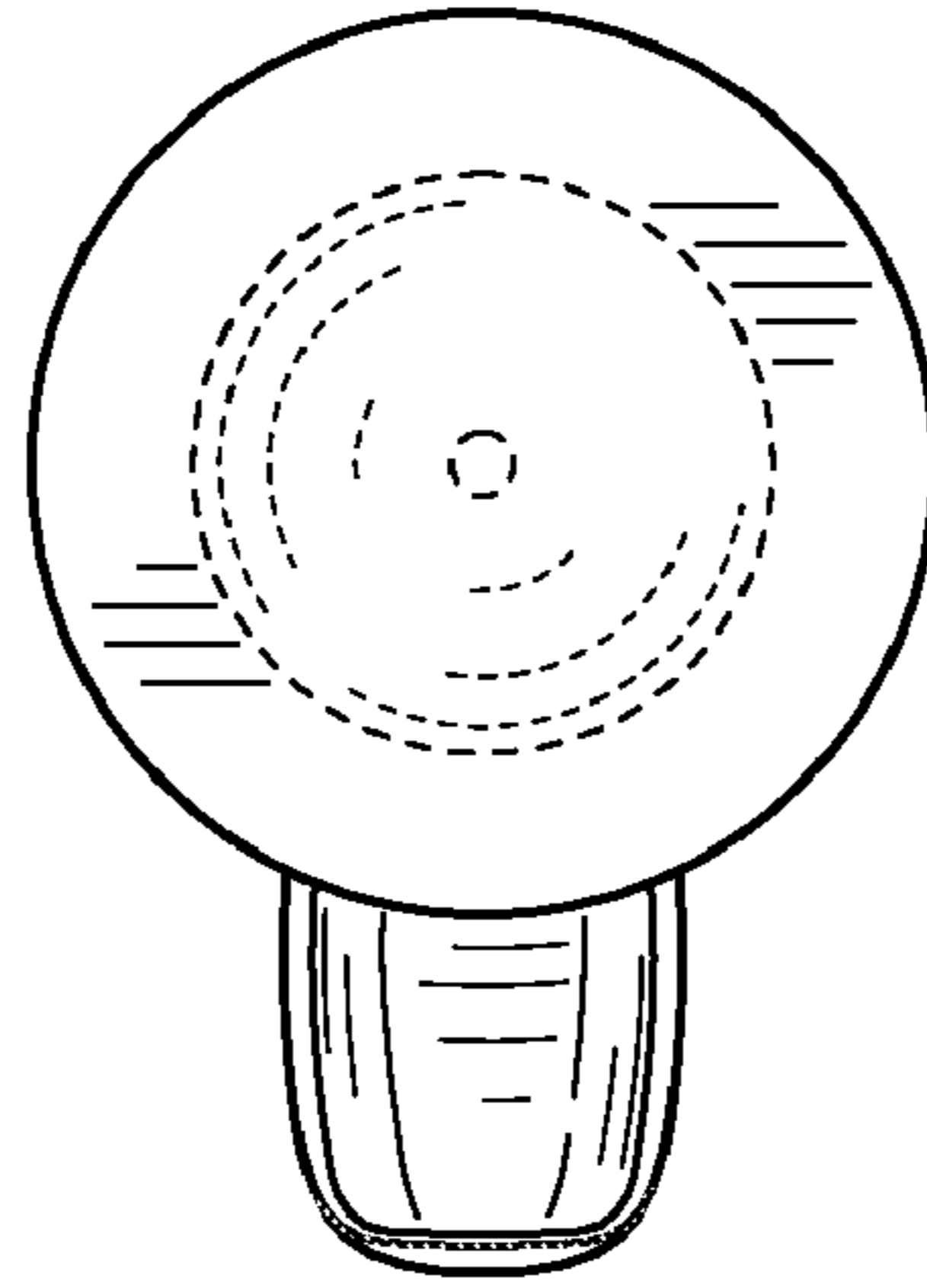


FIG. 2

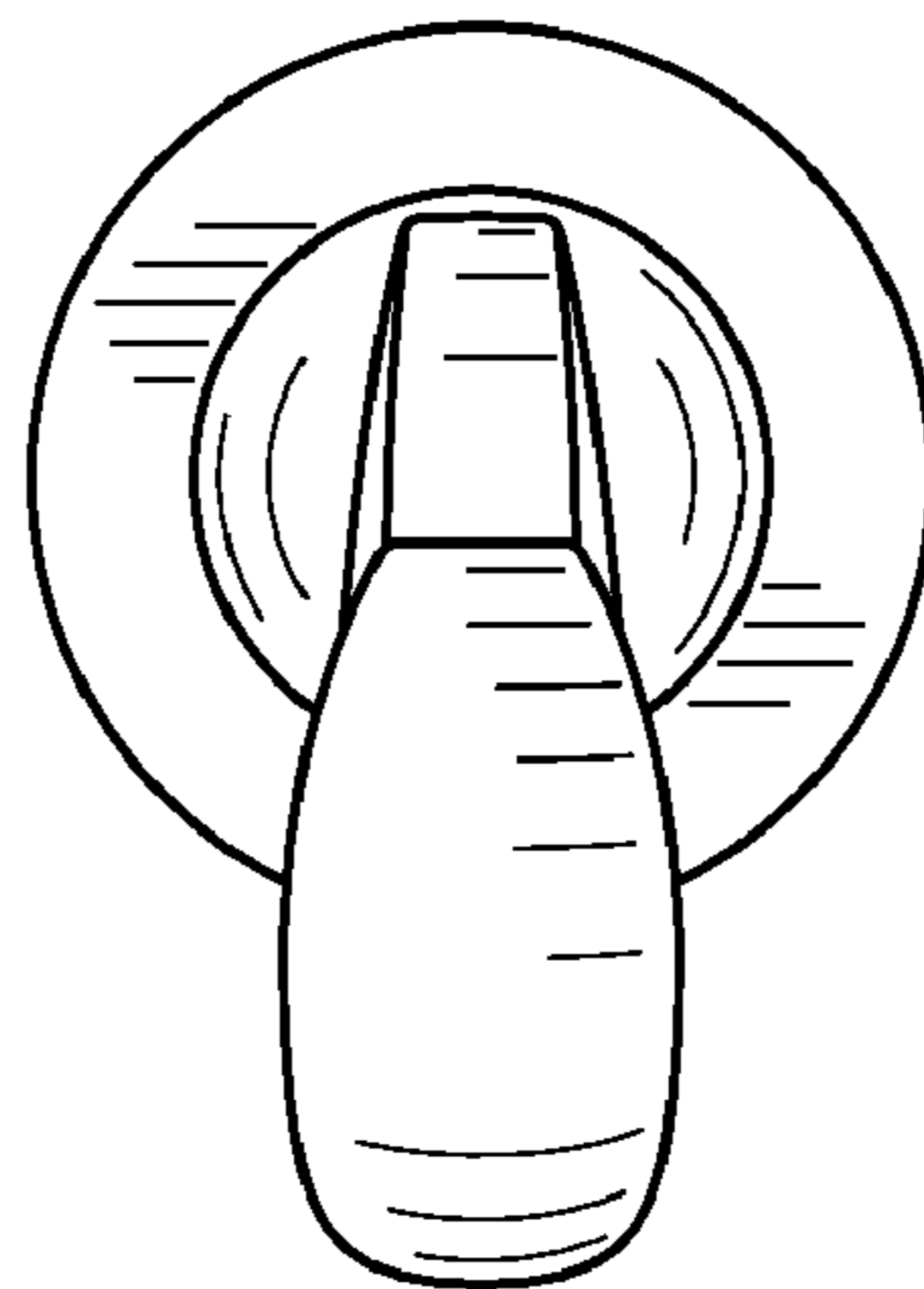
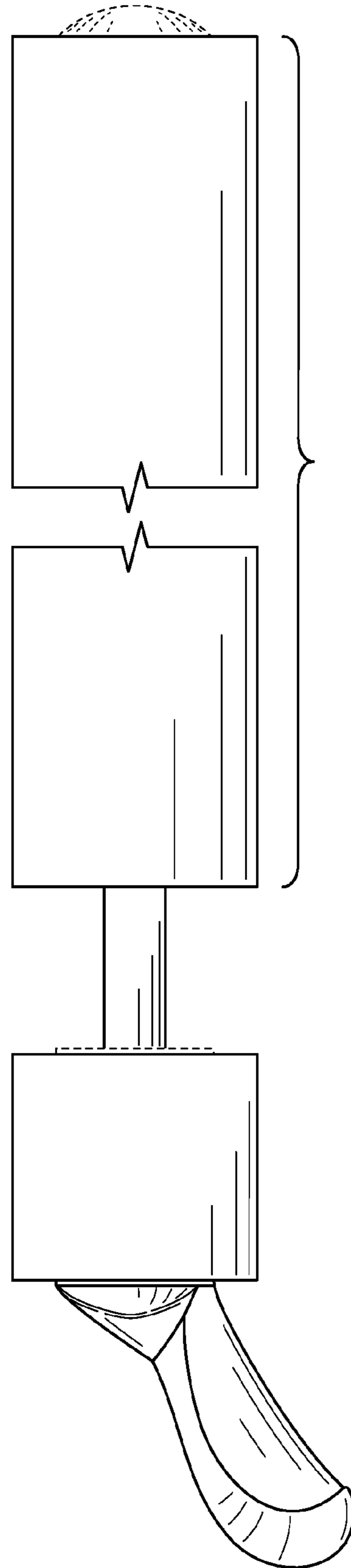
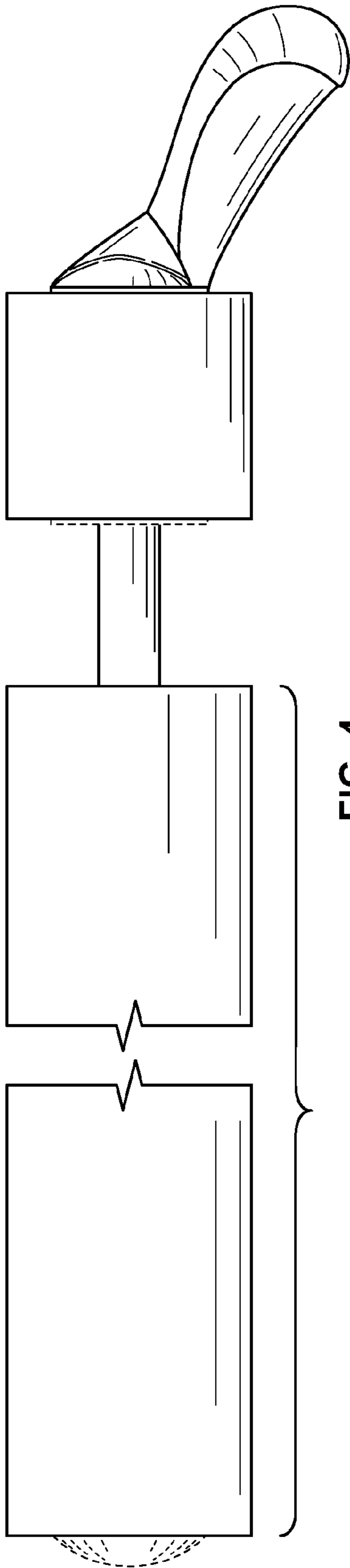


FIG. 3



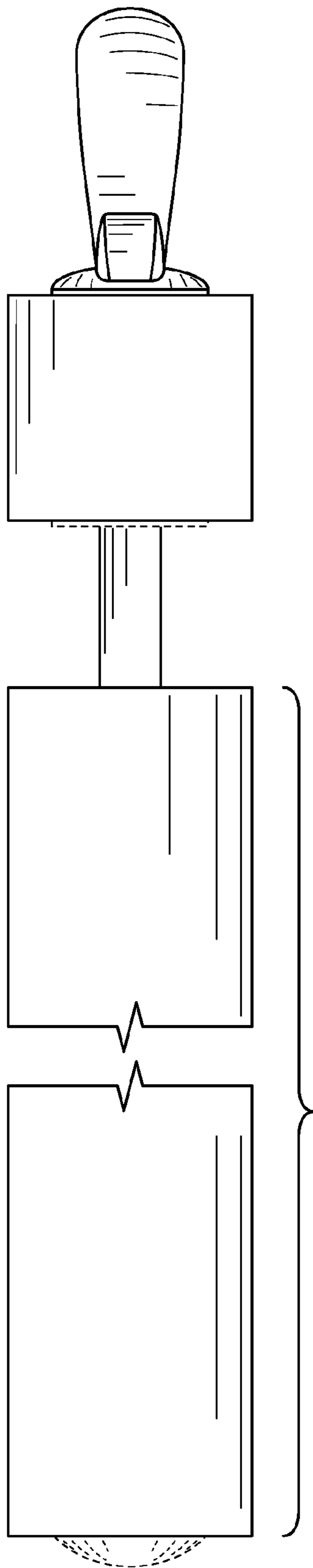


FIG. 6

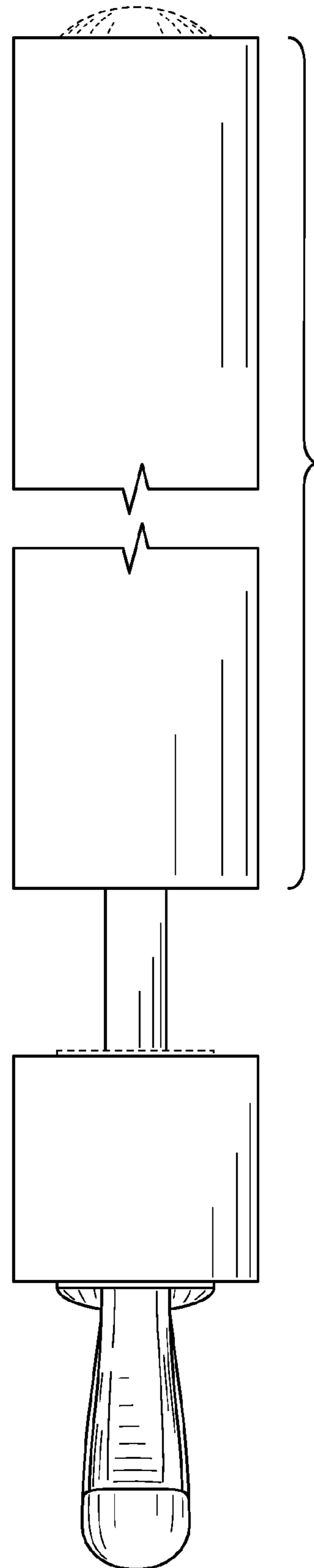


FIG. 7