



US00D621451S

(12) **United States Design Patent**  
**Wong**

(10) **Patent No.:** **US D621,451 S**

(45) **Date of Patent:** **\*\* Aug. 10, 2010**

(54) **SQUIRTING TOY WITH ANIMAL HEAD**

(75) Inventor: **Veronica Wong**, Kowloon (HK)

(73) Assignee: **Easeon Services, Ltd.**, Kwun Tong (HK)

(\*\*) Term: **14 Years**

(21) Appl. No.: **29/342,743**

(22) Filed: **Aug. 31, 2009**

(51) **LOC (9) Cl.** ..... **21-01**

(52) **U.S. Cl.** ..... **D21/572; D21/575; D21/599**

(58) **Field of Classification Search** ..... D21/401,  
D21/567, 570, 572, 575, 588, 597, 599, 602,  
D21/622, 623, 657, 658, 808; D23/222,  
D23/231, 238, 251, 256; D9/605, 606; D7/689,  
D7/680; D8/38; 124/63-65, 73-75; 239/211,  
239/237, 329, 373; 446/153-159, 267, 391,  
446/473, 475; D19/59; D22/386

See application file for complete search history.

(56) **References Cited**

**U.S. PATENT DOCUMENTS**

213,050 A	3/1879	Lewis	
D26,839 S	3/1897	Lines	
1,031,526 A	7/1912	Cloud, Jr.	
1,394,456 A	10/1921	Wanat	
D60,050 S	12/1921	Mohler	
D141,748 S *	7/1945	Bloom	D21/572
2,573,375 A	10/1951	Winstead	
D197,848 S *	3/1964	Parker et al.	D21/573
3,183,002 A *	5/1965	Updaw	446/153
3,299,891 A	1/1967	Smeton	
D221,785 S *	9/1971	Ishag	D21/401
D225,755 S	1/1973	Hale	
3,884,229 A	5/1975	Raines et al.	
D240,130 S	6/1976	Folke	
D241,459 S *	9/1976	Versten	D21/401
4,193,517 A	3/1980	Fetty et al.	
D258,742 S *	3/1981	Adamson et al.	D21/572
4,274,223 A	6/1981	Morrison et al.	
4,302,003 A *	11/1981	Hughes	446/153
D262,079 S	12/1981	Rankin	

4,383,387 A	5/1983	Puskar
4,548,190 A	10/1985	Megargee
4,597,527 A	7/1986	Sands
4,615,488 A	10/1986	Sands

(Continued)

**FOREIGN PATENT DOCUMENTS**

GB 2045097 10/1980

**OTHER PUBLICATIONS**

U.S. Appl. No. 29/302,703, filed Jan. 23, 2008.

(Continued)

*Primary Examiner*—Cynthia M Chin

(74) *Attorney, Agent, or Firm*—Amster, Rothstein & Ebenstein LLP

(57) **CLAIM**

The ornamental design for a squirting toy with animal head, as shown and described.

**DESCRIPTION**

FIG. 1 is a perspective view of a squirting toy showing my new design;

FIG. 2 is a front view thereof;

FIG. 3 is a rear view thereof;

FIG. 4 is a side view thereof;

FIG. 5 is an opposite side view thereof;

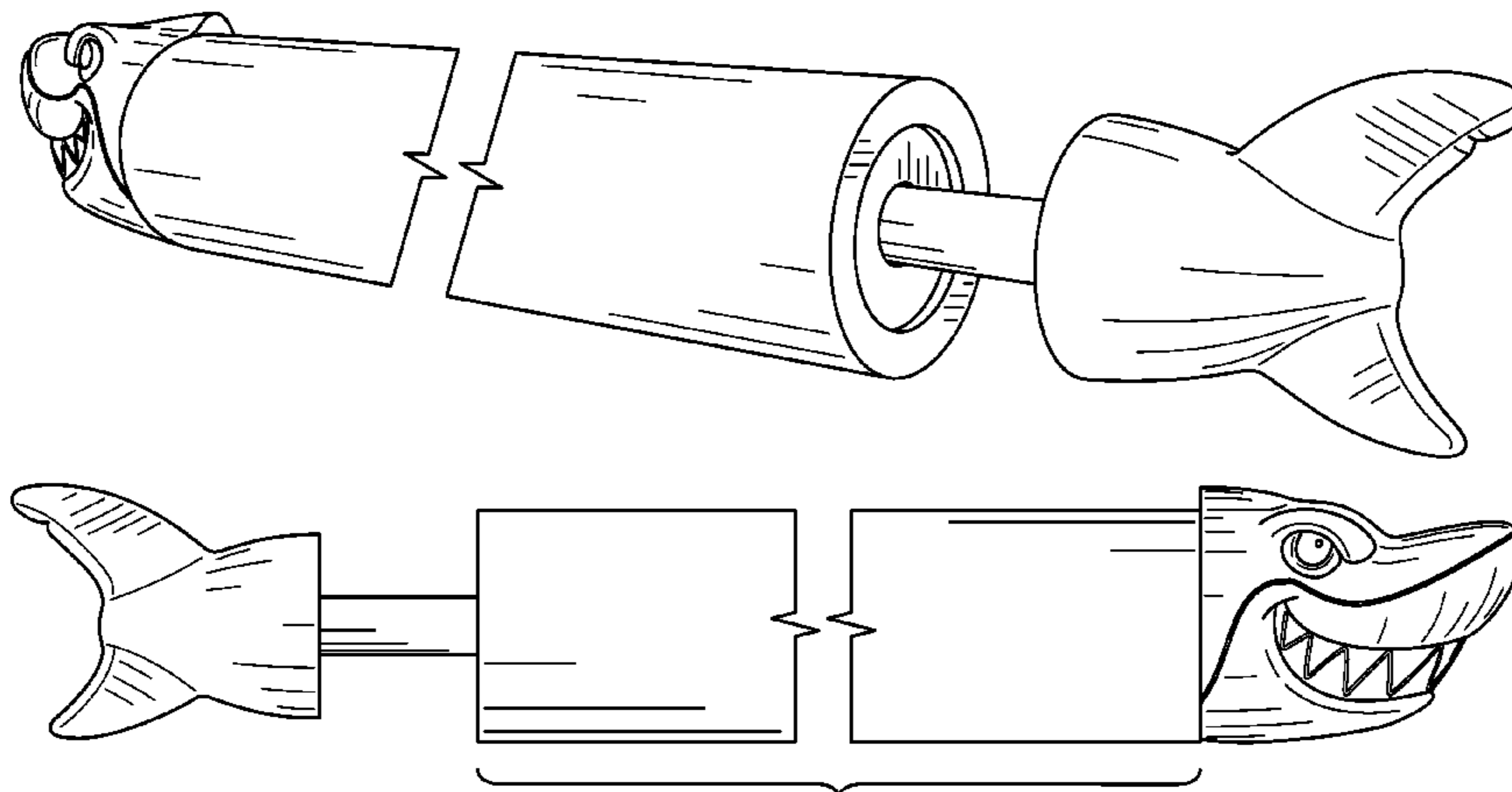
FIG. 6 is a top view thereof; and,

FIG. 7 is a bottom view thereof.

Portions of the claimed design shown in FIGS. 1 and 4-7 are shown separated and bound by a bracket to indicate that no particular length is being claimed.

The broken lines immediately adjacent the shaded areas represent the bounds of the claim and all other broken lines represent unclaimed portions of the design. None of the broken lines form a part of the claimed design.

**1 Claim, 4 Drawing Sheets**



# US D621,451 S

Page 2

## U.S. PATENT DOCUMENTS

4,627,796	A	12/1986	Moore				
4,673,007	A	6/1987	Huang				
4,703,892	A *	11/1987	Nadel .....	239/211			
4,733,799	A	3/1988	Wiskur				
D299,500	S *	1/1989	Geraci .....	D21/599			
4,796,785	A	1/1989	Merritt				
4,809,483	A	3/1989	Lovik				
4,919,600	A	4/1990	Yang				
4,963,847	A	10/1990	Cambreleng et al.				
D313,460	S *	1/1991	Boucher et al. ....	D23/222			
D315,095	S	3/1991	Wright				
5,009,413	A	4/1991	Allen				
D317,800	S *	6/1991	Laurson .....	D21/599			
D320,469	S	10/1991	Hoenig				
5,061,252	A	10/1991	Dragosits				
5,120,261	A	6/1992	Dietzman				
D328,248	S	7/1992	Ruff				
D330,575	S *	10/1992	Kupperman .....	D21/599			
5,181,644	A	1/1993	Ferrell				
D333,854	S *	3/1993	Kupperman .....	D21/599			
D334,955	S *	4/1993	Kupperman .....	D21/599			
5,199,114	A	4/1993	Christopher				
D336,354	S	6/1993	Ringe				
D336,668	S	6/1993	D'Andrade				
D337,354	S	7/1993	Childs				
5,224,633	A	7/1993	Senart				
D338,697	S	8/1993	Salmon et al.				
5,231,951	A	8/1993	Tagar et al.				
D339,616	S	9/1993	Flaherty				
5,255,708	A	10/1993	Liparoto et al.				
5,256,099	A	10/1993	Rudell et al.				
5,266,069	A	11/1993	Thorne				
D342,559	S *	12/1993	McGill .....	D21/588			
D344,311	S	2/1994	Liu				
D344,556	S	2/1994	Liu				
5,305,918	A	4/1994	D'Andrade				
D351,007	S	9/1994	Bednar et al.				
5,350,058	A	9/1994	Keough				
D352,093	S	11/1994	Knycha				
D353,687	S *	12/1994	Dacko .....	D21/599			
D354,093	S	1/1995	Hamlin				
D354,550	S *	1/1995	Munoz .....	D23/256			
5,389,033	A	2/1995	Rauch				
D357,886	S	5/1995	Fuller				
D358,185	S	5/1995	Hope, II				
D360,439	S	7/1995	Lewinski				
D361,105	S	8/1995	Griffin				
D362,801	S	10/1995	Milroy				
D368,280	S	3/1996	Brown				
5,499,858	A	3/1996	Her				
D370,037	S *	5/1996	Berggreen .....	D21/597			
5,667,419	A	9/1997	Spector				
5,683,250	A	11/1997	Paivanas				
5,788,617	A	8/1998	Paris				
5,865,438	A	2/1999	Zilliox				
5,928,053	A	7/1999	Henderson				
D415,898	S *	11/1999	Haddad .....	D21/599			
5,988,442	A	11/1999	Corey et al.				
5,992,697	A	11/1999	James				
6,027,393	A	2/2000	O'Rourke				
6,039,460	A	3/2000	Ng et al.				
D424,932	S	5/2000	Seidler				
D428,079	S *	7/2000	Yamazaki .....	D21/599			
D433,899	S *	11/2000	Saffron et al. ....	D8/38			
D446,122	S	8/2001	Weinstein et al.				
D449,982	S	11/2001	Ferris				
D454,038	S *	3/2002	Kao .....	D8/38			
D459,173	S *	6/2002	Kelleghan .....	D8/38			
6,474,858	B1	11/2002	Liao				
D470,761	S	2/2003	Kelvie				
D472,382	S *	4/2003	Larsen .....	D9/606			
6,568,985	B1	5/2003	Binkley				
6,638,172	B1	10/2003	Demars				
D481,770	S	11/2003	Choy				
6,722,679	B2	4/2004	Englert				
D494,856	S	8/2004	Hillard				
6,790,112	B2	9/2004	Kirk				
6,808,436	B1	10/2004	Siu				
6,843,695	B1	1/2005	Jackson et al.				
D514,633	S	2/2006	Zheng				
6,997,770	B2	2/2006	Lapointe				
D517,411	S	3/2006	Okimoto				
7,025,228	B2	4/2006	Cuisinier				
D524,881	S	7/2006	Orlowski et al.				
D526,904	S *	8/2006	Hillock .....	D9/606			
D528,914	S	9/2006	Williams				
D536,040	S	1/2007	Orr et al.				
7,264,522	B2	9/2007	Lee et al.				
7,281,642	B2	10/2007	Orlowski				
D557,356	S	12/2007	Johnston et al.				
D557,357	S	12/2007	Johnston et al.				
D558,278	S	12/2007	Johnston et al.				
D558,279	S	12/2007	Chen				
7,318,762	B2 *	1/2008	Goldmeier .....	446/153			
D564,854	S	3/2008	Thompson				
D566,203	S *	4/2008	Selevan .....	D21/572			
D570,687	S	6/2008	Kelders et al.				
D574,443	S	8/2008	Wong				
D575,834	S *	8/2008	Welch .....	D21/572			
D590,027	S	4/2009	Chia				
7,571,837	B2 *	8/2009	Orlowski .....	222/386			
7,604,184	B1 *	10/2009	Chen .....	446/153			
D607,064	S *	12/2009	Thorsen .....	D21/599			
2003/0071077	A1	4/2003	Panzarella				
2003/0124922	A1	7/2003	Sowry et al.				
2003/0156590	A1	8/2003	Ostrowiecki				
2005/0106963	A1	5/2005	Ross				
2005/0184098	A1	8/2005	Dixon				
2005/0196287	A1	9/2005	Olich				
2006/0027596	A1	2/2006	Walther et al.				
2006/0060604	A1 *	3/2006	Orlowski .....	446/153			
2007/0000942	A1	1/2007	Wong et al.				
2008/0035680	A1	2/2008	Orlowski				
2008/0051002	A1	2/2008	Chung Wong				
2008/0054019	A1	3/2008	Stechschulte et al.				
2008/0121652	A1	5/2008	Orlowski et al.				

## OTHER PUBLICATIONS

U.S. Appl. No. 29/302,709, filed Jan. 23, 2008.  
*Prime Time Toys, Ltd. v. Jakks Pacific, Inc.*, No. 2008-CV-2909,  
documents produced by Defendant Jakks Pacific, Inc.

\* cited by examiner

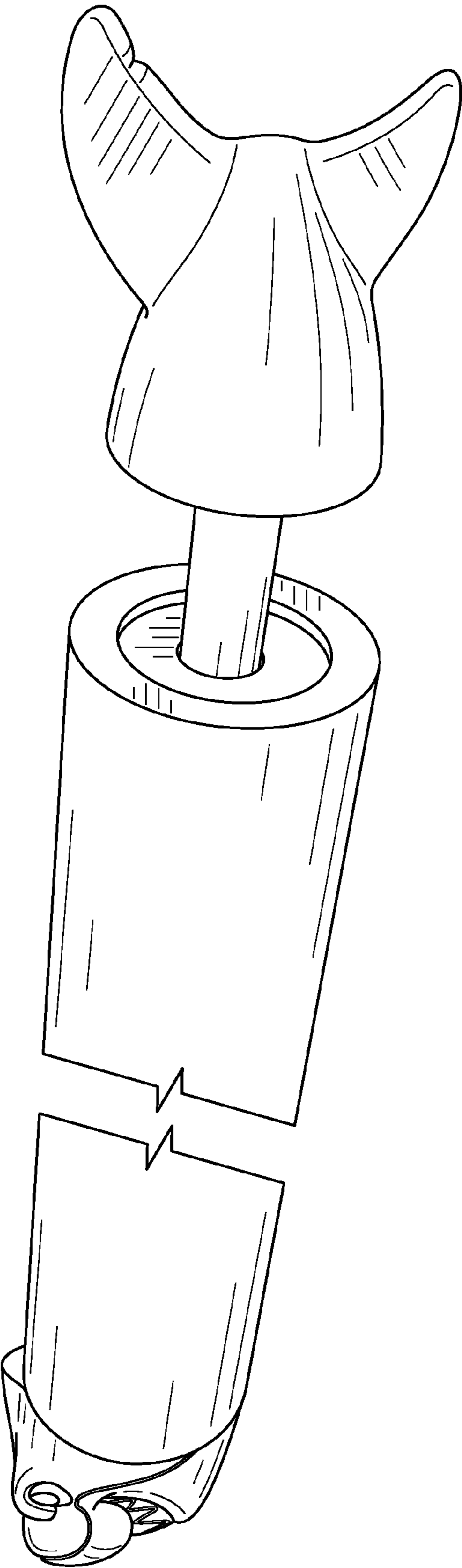


FIG. 1



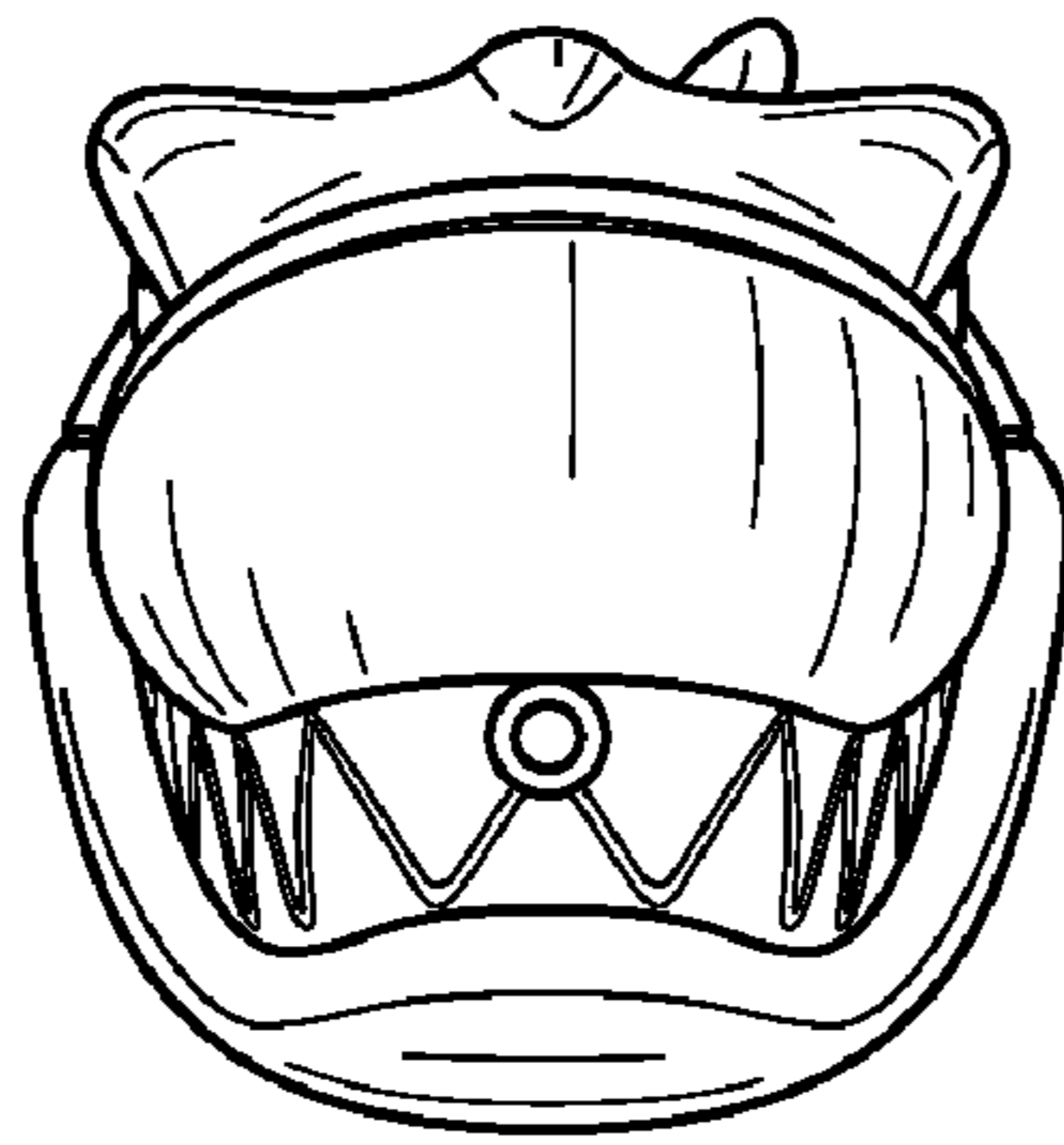


FIG. 2

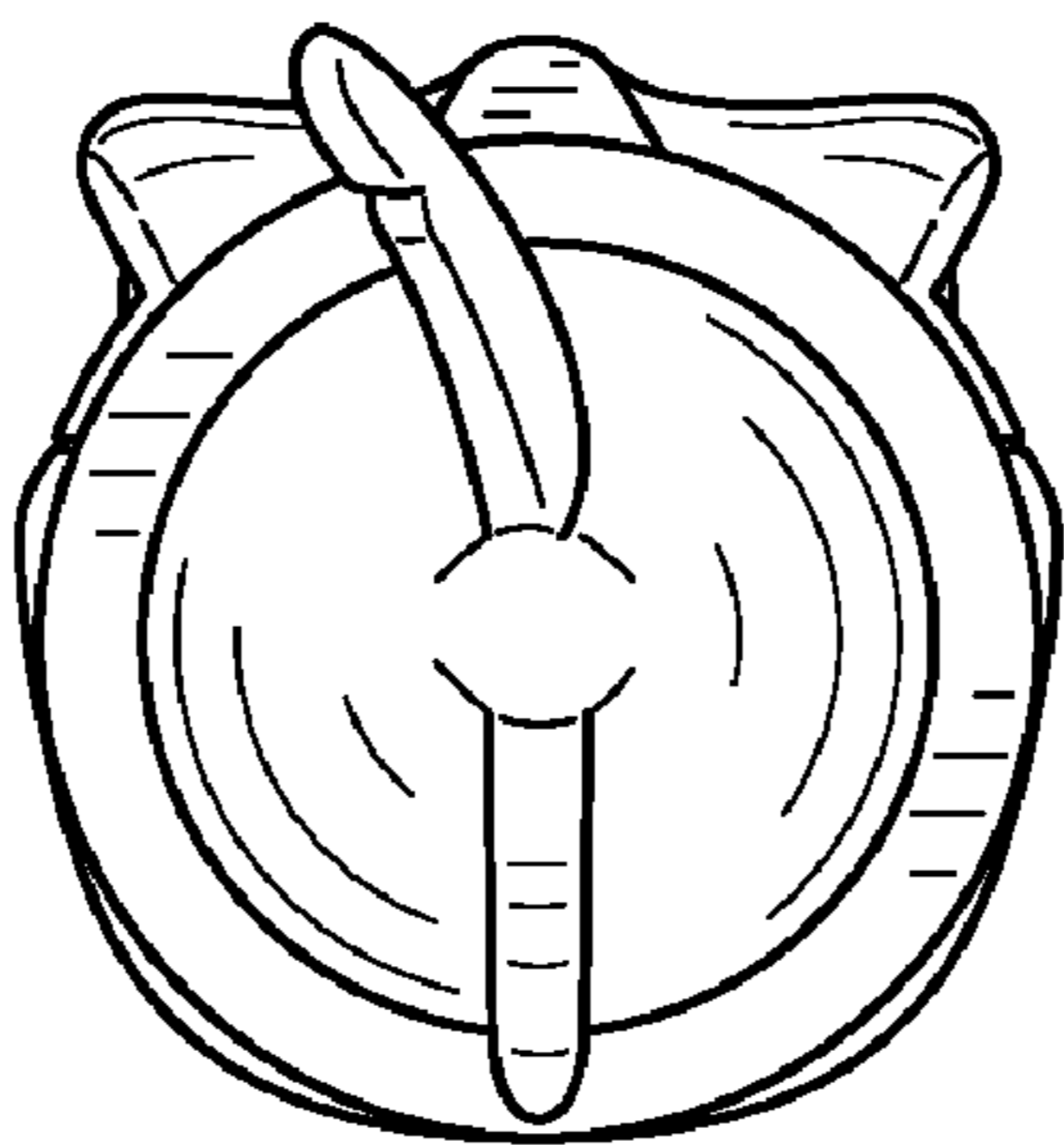


FIG. 3

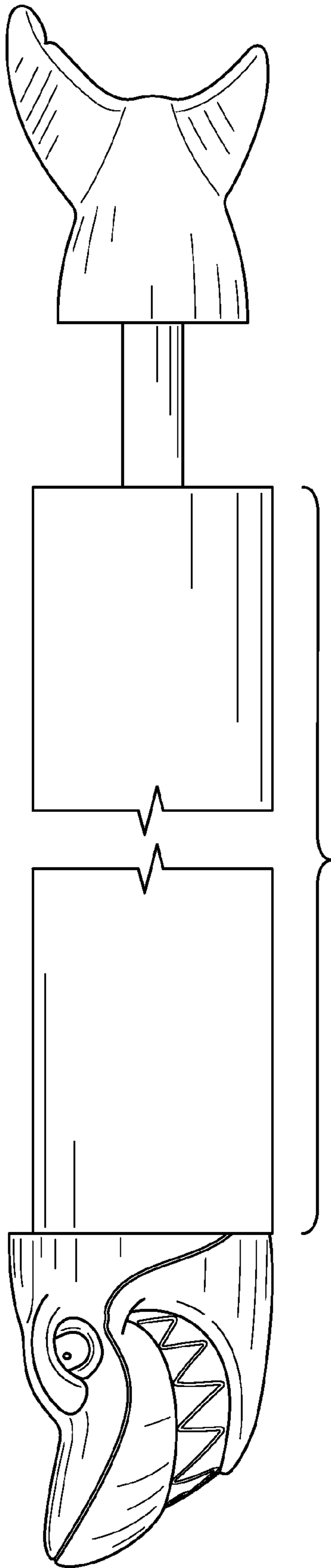


FIG. 4

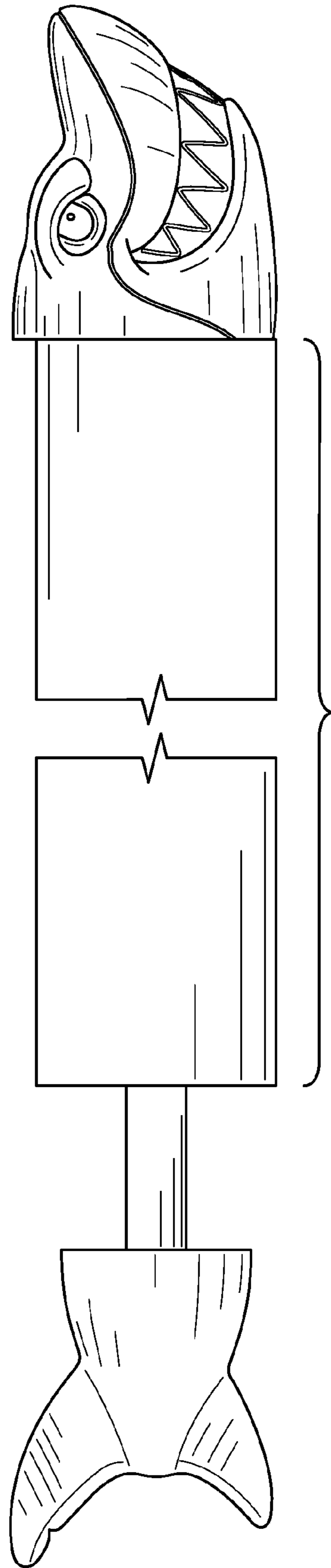


FIG. 5

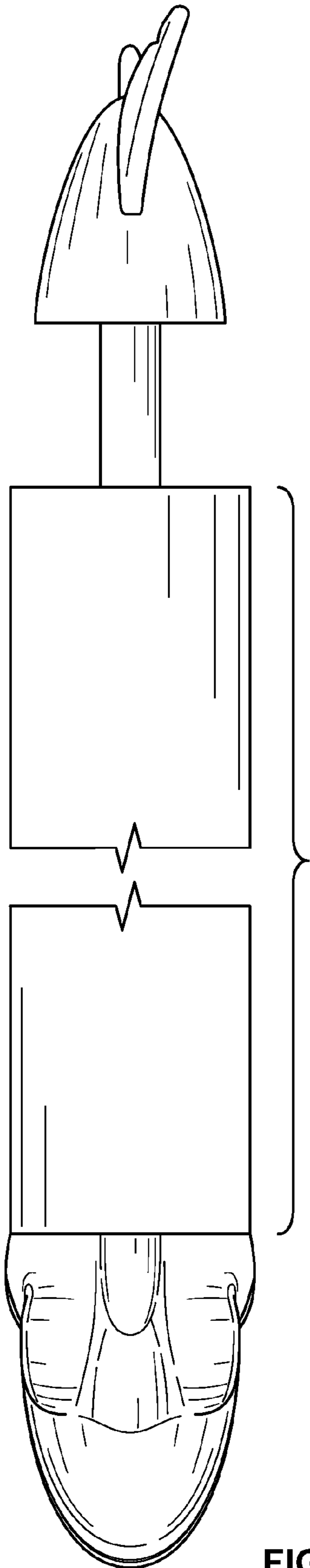


FIG. 6

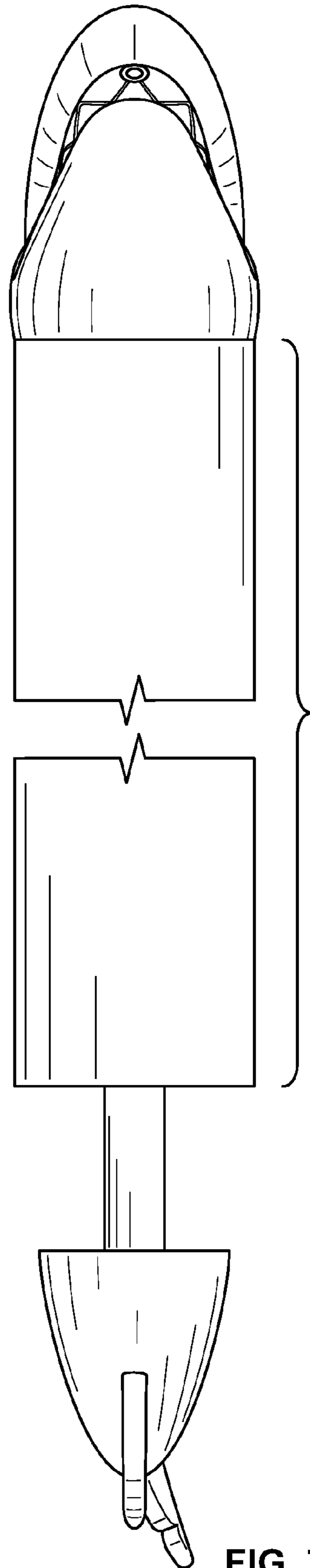


FIG. 7

UNITED STATES PATENT AND TRADEMARK OFFICE  
**CERTIFICATE OF CORRECTION**

PATENT NO. : D621,451 S  
APPLICATION NO. : 29/342743  
DATED : August 10, 2010  
INVENTOR(S) : Veronica Wong

Page 1 of 1

It is certified that error appears in the above-identified patent and that said Letters Patent is hereby corrected as shown below:

On the Title Page, item (73) Assignee: replace "Easeon Services, Ltd., Kwun Tong (HK)" with  
--Easebon Services, Ltd., Kwun Tong (HK)--

Signed and Sealed this  
Twenty-second Day of March, 2011

A handwritten signature in black ink that reads "David J. Kappos". The signature is written in a cursive, slightly slanted style.

David J. Kappos  
*Director of the United States Patent and Trademark Office*