



US00D621449S

(12) **United States Design Patent**
Wong

(10) **Patent No.:** **US D621,449 S**

(45) **Date of Patent:** **** Aug. 10, 2010**

(54) **SQUIRTING TOY WITH ANIMAL HEAD**

(75) Inventor: **Veronica Wong**, Kowloon (HK)

(73) Assignee: **Easeon Services, Ltd.**, Kwun Tong (HK)

(**) Term: **14 Years**

(21) Appl. No.: **29/342,740**

(22) Filed: **Aug. 31, 2009**

(51) **LOC (9) Cl.** **21-01**

(52) **U.S. Cl.** **D21/572; D21/575; D21/598**

(58) **Field of Classification Search** D21/401,
D21/567, 570, 572, 575, 588, 597, 598, 615,
D21/622, 623, 657, 658, 808; D23/222,
D23/231, 238, 251, 256; D9/605; D7/689,
D7/680; D8/38; 124/63-65, 73-75; 239/211,
239/237, 329, 373; 446/153, 156, 267, 368,
446/372, 391, 473, 475; D19/59; 472/129;
D2/869

See application file for complete search history.

(56) **References Cited**

U.S. PATENT DOCUMENTS

213,050 A	3/1879	Lewis	
D26,839 S	3/1897	Lines	
1,031,526 A	7/1912	Cloud, Jr.	
1,394,456 A	10/1921	Wanat	
D60,050 S	12/1921	Mohler	
D77,734 S *	2/1929	Bemelmans D7/680
D141,748 S *	7/1945	Bloom D21/572
D142,161 S *	8/1945	Braund D21/597
2,573,375 A	10/1951	Winstead	
D171,600 S *	3/1954	Johnson D7/680
D193,099 S *	6/1962	Del Mar et al. D21/615
3,183,002 A *	5/1965	Updaw 446/153
3,299,891 A	1/1967	Smeton	
D210,388 S *	3/1968	Gillibrand D21/598
D221,785 S *	9/1971	Ishag D21/401
D225,755 S	1/1973	Hale	
3,884,229 A	5/1975	Raines et al.	
D240,130 S	6/1976	Folke	
D241,459 S *	9/1976	Versten D21/401

4,193,517 A	3/1980	Fetty et al.	
D256,600 S *	8/1980	Zacherle D21/597
D258,742 S *	3/1981	Adamson et al. D21/572
4,274,223 A	6/1981	Morrison et al.	
4,302,003 A *	11/1981	Hughes 472/129

(Continued)

FOREIGN PATENT DOCUMENTS

GB 2045097 10/1980

OTHER PUBLICATIONS

U.S. Appl. No. 29/302,703, filed Jan. 23, 2008.

(Continued)

Primary Examiner—Cynthia M Chin

(74) *Attorney, Agent, or Firm*—Amster, Rothstein & Ebenstein LLP

(57) **CLAIM**

The ornamental design for a squirting toy with animal head, as shown and described.

DESCRIPTION

FIG. 1 is a perspective view of a squirting toy showing my new design;

FIG. 2 is a front view thereof;

FIG. 3 is a rear view thereof;

FIG. 4 is a side view thereof;

FIG. 5 is an opposite side view thereof;

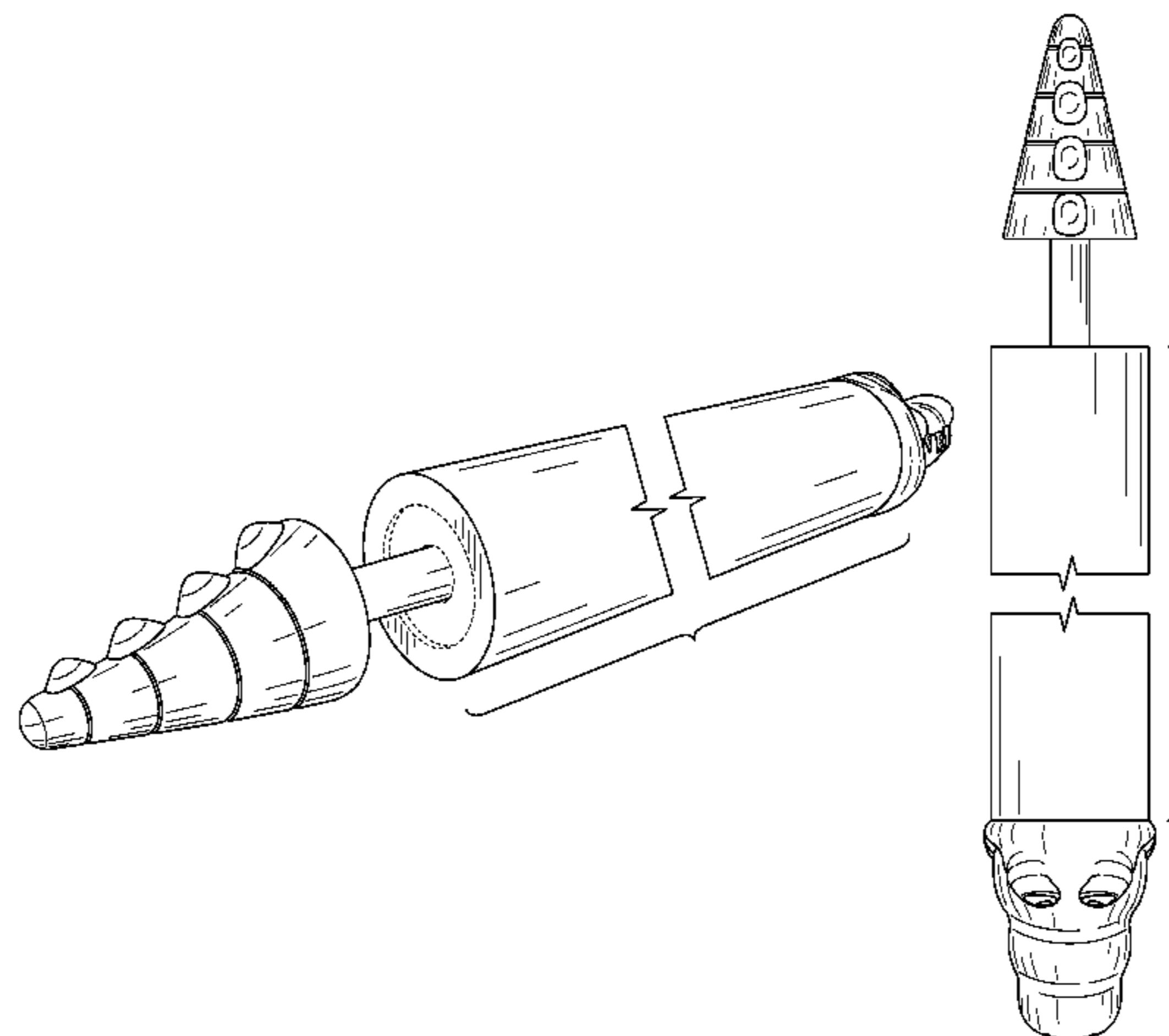
FIG. 6 is a top view thereof; and,

FIG. 7 is a bottom view thereof.

Portions of the claimed design shown in FIGS. 1 and 4-7 are shown separated and bound by a bracket to indicate that no particular length is being claimed.

The broken lines immediately adjacent the shaded areas represent the bounds of the claim and all other broken lines represent unclaimed portions of the design. None of the broken lines form a part of the claimed design.

1 Claim, 4 Drawing Sheets



US D621,449 S

Page 2

U.S. PATENT DOCUMENTS

D262,079 S	12/1981	Rankin		D407,898 S *	4/1999	Pulvino	D21/615
D268,611 S *	4/1983	Klose	D23/222	D410,311 S *	5/1999	Ancona et al.	D21/598
4,383,387 A	5/1983	Pukar		5,928,053 A	7/1999	Henderson	
D275,311 S *	8/1984	Wolfe	D21/598	5,988,442 A	11/1999	Corey et al.	
4,548,190 A	10/1985	Megargee		5,992,697 A	11/1999	James	
4,597,527 A	7/1986	Sands		6,027,393 A	2/2000	O'Rourke	
4,615,488 A	10/1986	Sands		6,039,460 A	3/2000	Ng et al.	
4,627,796 A	12/1986	Moore		D424,932 S	5/2000	Seidler	
4,673,007 A	6/1987	Huang		D436,529 S *	1/2001	Bergersen	D9/605
4,703,892 A *	11/1987	Nadel	239/211	6,176,047 B1 *	1/2001	Morningstar	446/153
4,733,799 A	3/1988	Wiskur		D446,122 S	8/2001	Weinstein et al.	
4,796,785 A	1/1989	Merritt		D446,696 S *	8/2001	Allison	D7/689
4,809,483 A	3/1989	Lovik		D449,982 S	11/2001	Ferris	
4,813,670 A *	3/1989	Mizunuma	446/368	6,474,858 B1	11/2002	Liao	
D305,776 S *	1/1990	Kim et al.	D21/598	D469,495 S *	1/2003	Greenberg	D21/808
4,919,600 A	4/1990	Yang		D470,761 S	2/2003	Kelvie	
4,963,847 A	10/1990	Cambreleng et al.		6,568,985 B1	5/2003	Binkley	
D315,095 S	3/1991	Wright		6,638,172 B1	10/2003	Demars	
D315,753 S *	3/1991	Stephensen et al.	D21/598	D481,770 S	11/2003	Choy	
5,009,413 A	4/1991	Allen		6,722,679 B2	4/2004	Englert	
D319,756 S *	9/1991	Kimura	D7/680	D494,856 S	8/2004	Hillard	
D320,469 S	10/1991	Hoenig		6,790,112 B2	9/2004	Kirk	
5,061,252 A	10/1991	Dragosits		D497,645 S *	10/2004	Garcia	D19/59
5,120,261 A	6/1992	Dietzman		6,808,436 B1	10/2004	Siu	
D328,248 S	7/1992	Ruff		6,843,695 B1	1/2005	Jackson et al.	
5,181,644 A	1/1993	Ferrell		D514,633 S	2/2006	Zheng	
5,199,114 A	4/1993	Christopher		6,997,770 B2	2/2006	Lapointe	
D336,354 S	6/1993	Ringe		D517,411 S	3/2006	Okimoto	
D336,668 S	6/1993	D'Andrade		7,025,228 B2	4/2006	Cuisinier	
D337,354 S	7/1993	Childs		D524,881 S	7/2006	Orlowski et al.	
5,224,633 A	7/1993	Senart		D528,914 S	9/2006	Williams	
D338,697 S	8/1993	Salmon et al.		D532,056 S *	11/2006	Boutin	D21/598
5,231,951 A	8/1993	Tagar et al.		D533,233 S *	12/2006	Chuang et al.	D21/572
D339,616 S	9/1993	Flaherty		D533,234 S *	12/2006	Chuang et al.	D21/572
5,255,708 A	10/1993	Liparoto et al.		D536,040 S	1/2007	Orr et al.	
5,256,099 A	10/1993	Rudell et al.		7,264,522 B2	9/2007	Lee et al.	
5,266,069 A	11/1993	Thorne		7,281,642 B2	10/2007	Orlowski	
D344,311 S	2/1994	Liu		D557,356 S	12/2007	Johnston et al.	
D344,556 S	2/1994	Liu		D557,357 S	12/2007	Johnston et al.	
5,305,918 A	4/1994	D'Andrade		D558,278 S	12/2007	Johnston et al.	
D349,536 S *	8/1994	Pedersen	D21/658	D558,279 S	12/2007	Chen	
D351,007 S	9/1994	Bednar et al.		7,318,762 B2 *	1/2008	Goldmeier	446/153
5,350,058 A	9/1994	Keough		D564,854 S	3/2008	Thompson	
D352,093 S	11/1994	Knychy		D566,203 S *	4/2008	Selevan	D21/572
D352,533 S *	11/1994	Wolfe	D21/598	D570,687 S	6/2008	Kelders et al.	
D354,093 S	1/1995	Hamlin		D574,443 S	8/2008	Wong	
5,389,033 A	2/1995	Rauch		D590,027 S	4/2009	Chia	
D356,836 S *	3/1995	Pedersen	D21/598	7,571,837 B2 *	8/2009	Orlowski	446/153
D357,886 S	5/1995	Fuller		7,604,184 B1 *	10/2009	Chen	446/153
D358,185 S	5/1995	Hope, II		2003/0071077 A1	4/2003	Panzarella	
D360,439 S	7/1995	Lewinski		2003/0124922 A1	7/2003	Sowry et al.	
D361,105 S	8/1995	Griffin		2003/0156590 A1	8/2003	Ostrowiecki	
D362,801 S	10/1995	Milroy		2005/0106963 A1	5/2005	Ross	
D363,958 S *	11/1995	Kelly	D21/598	2005/0184098 A1	8/2005	Dixon	
D368,280 S	3/1996	Brown		2005/0196287 A1	9/2005	Olich	
5,499,858 A	3/1996	Her		2006/0027596 A1	2/2006	Walther et al.	
D374,396 S *	10/1996	Petrucci et al.	D9/605	2007/0000942 A1	1/2007	Wong et al.	
D378,232 S *	2/1997	Frankel	D23/256	2008/0035680 A1	2/2008	Orlowski	
5,667,419 A	9/1997	Spector		2008/0051002 A1	2/2008	Chung Wong	
5,683,250 A	11/1997	Paivanas		2008/0054019 A1	3/2008	Stechschulte et al.	
D393,026 S *	3/1998	Ingram	D21/598	2008/0121652 A1	5/2008	Orlowski et al.	
D394,288 S *	5/1998	Trahan	D21/588				
5,788,617 A	8/1998	Paris					
D401,036 S *	11/1998	Clegg	D2/869				
D402,410 S *	12/1998	Farrell	D21/598				
5,865,438 A	2/1999	Zilliox					

OTHER PUBLICATIONS

U.S. Appl. No. 29/302,709, filed Jan. 23, 2008.
Prime Time Toys, Ltd. v. Jakks Pacific, Inc., No. 2008-CV-2909,
 documents produced by Defendant Jakks Pacific, Inc.

* cited by examiner

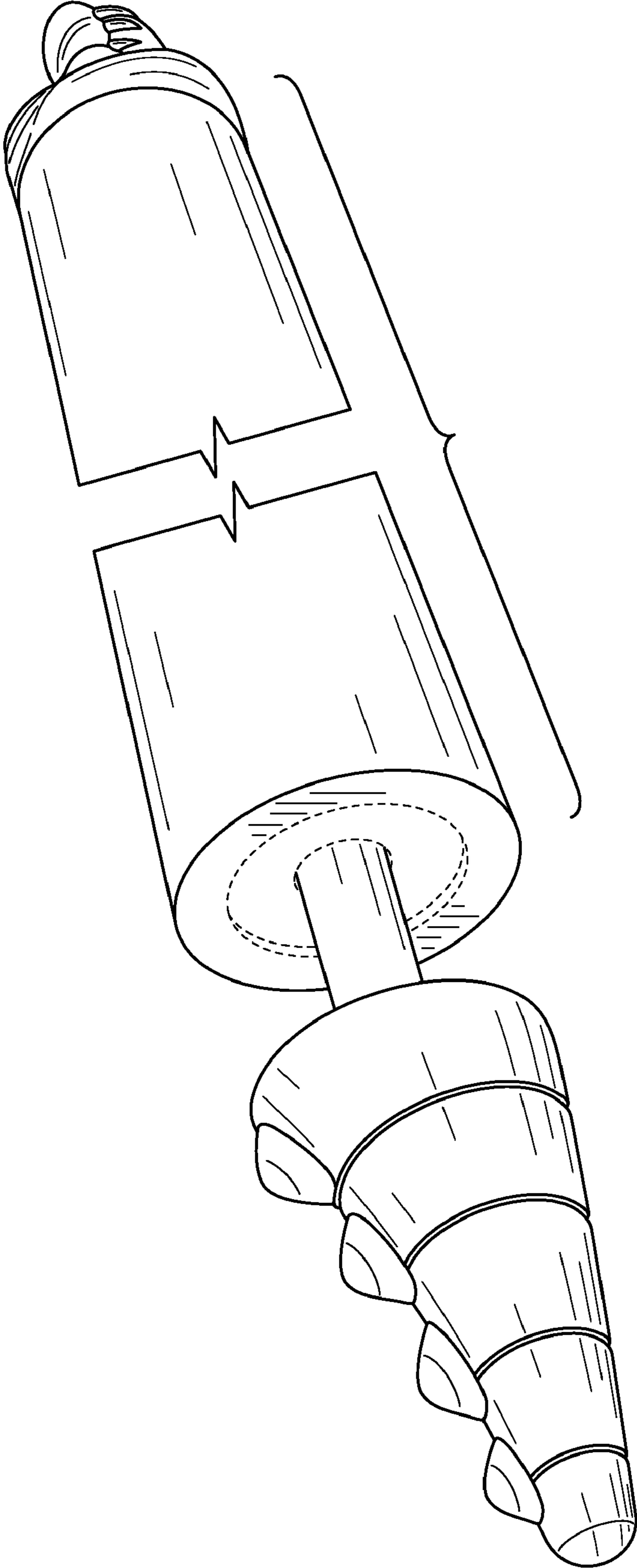


FIG. 1

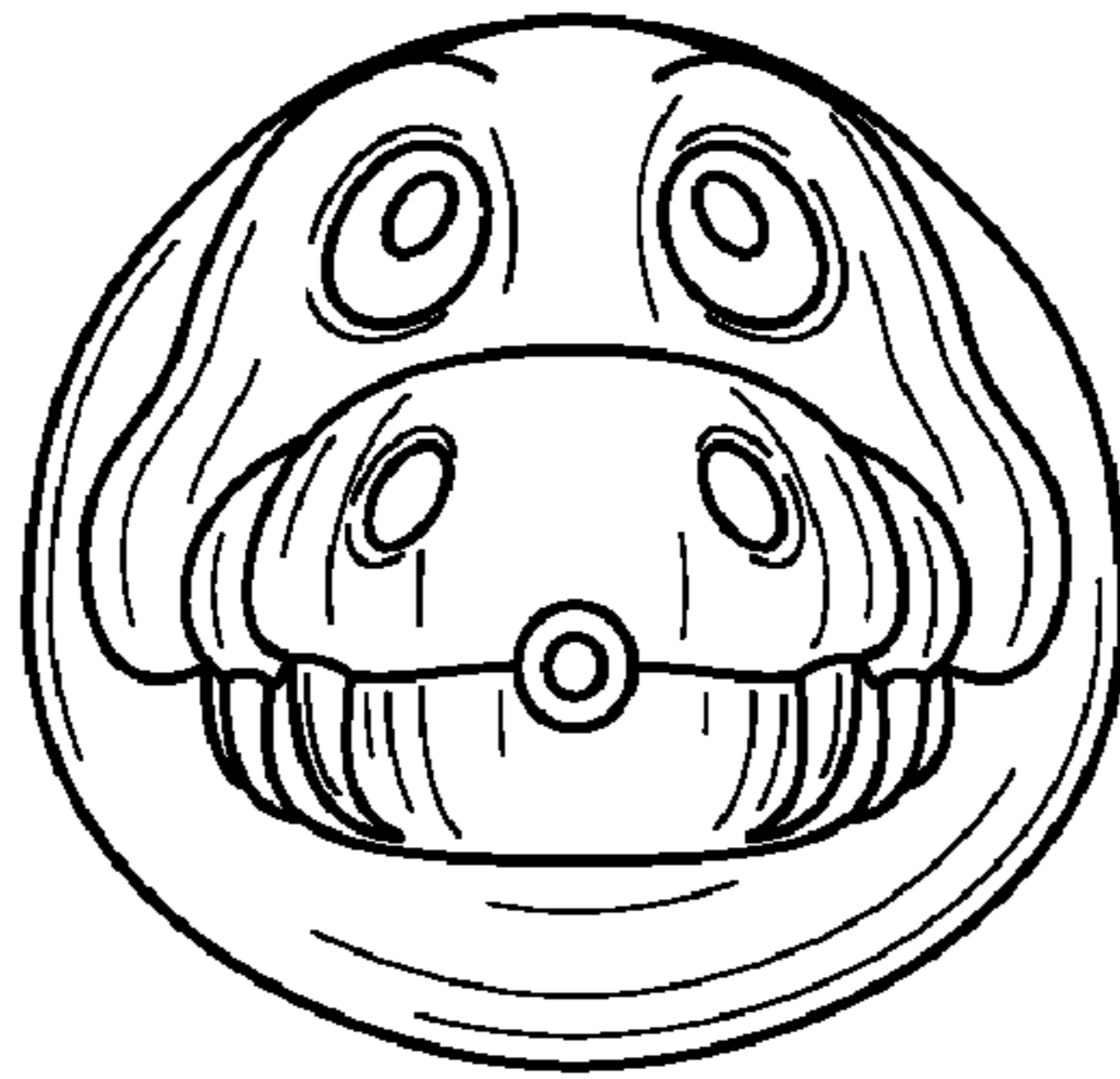


FIG. 2

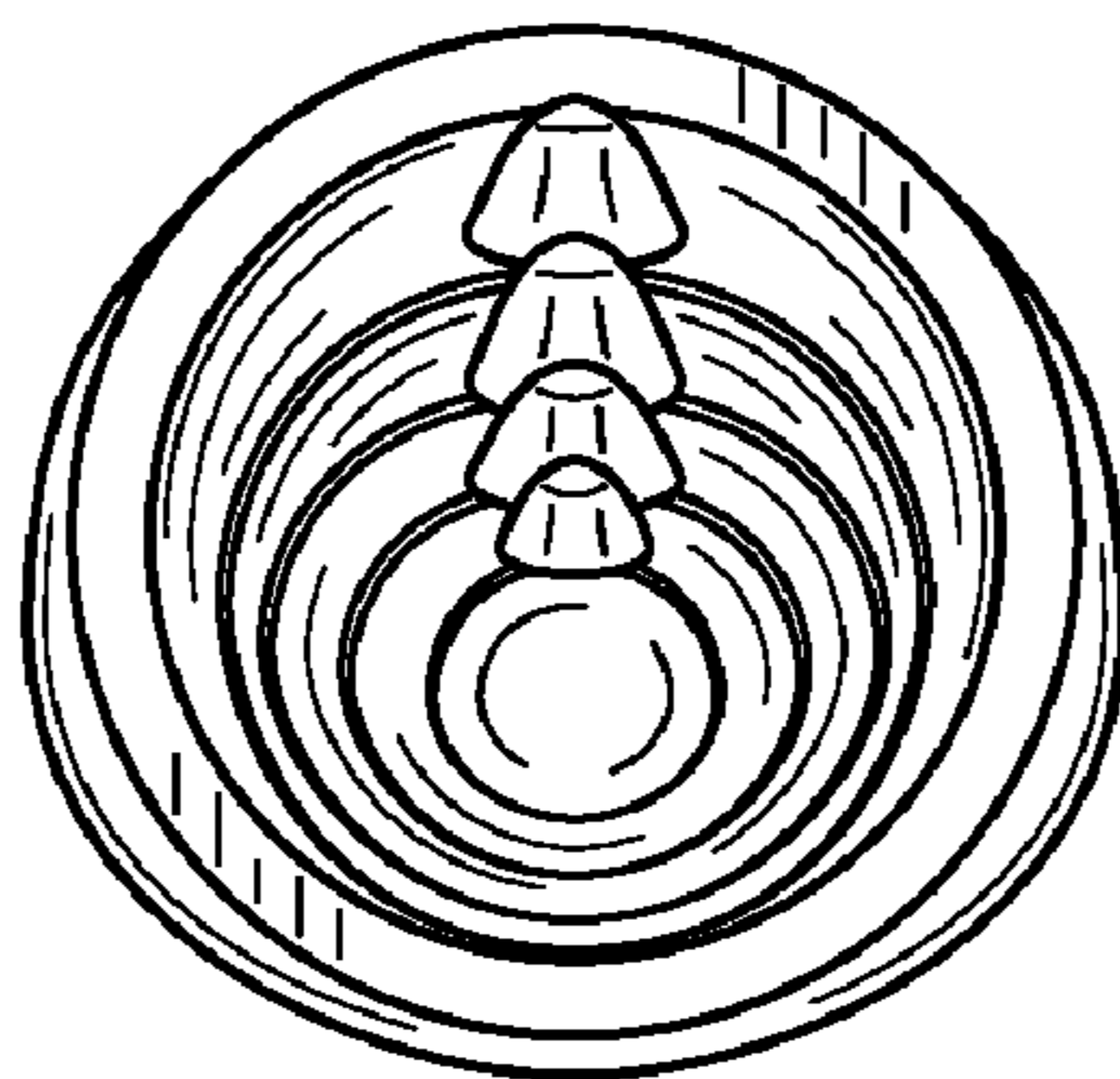


FIG. 3

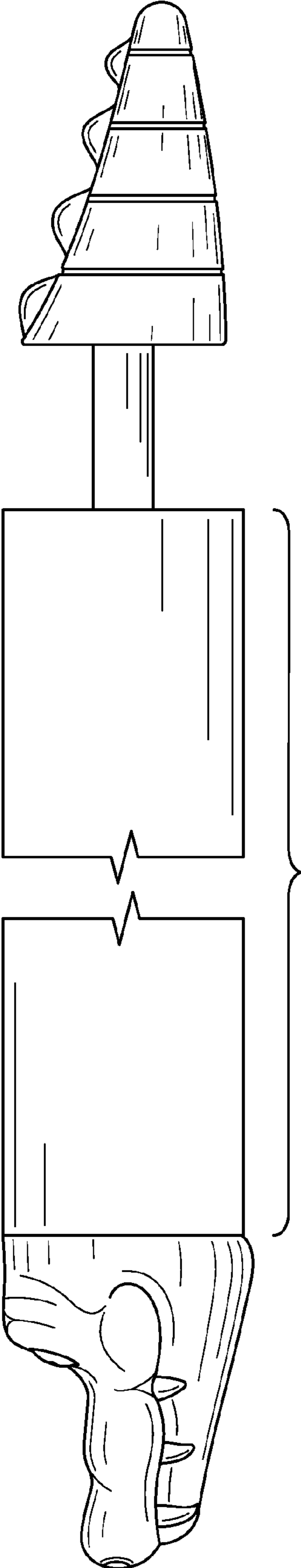


FIG. 4

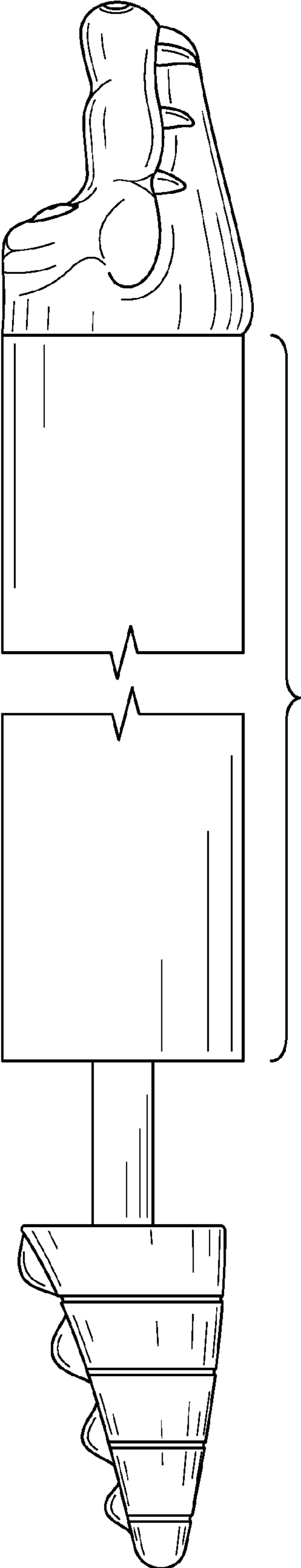


FIG. 5

