



US00D621447S

(12) **United States Design Patent**  
**Smith**

(10) **Patent No.:** **US D621,447 S**

(45) **Date of Patent:** **\*\* Aug. 10, 2010**

(54) **HOUSING HAVING TWO INTERCONNECTING HOUSING PORTIONS FOR USE IN AN EDUCATIONAL APPARATUS**

(75) Inventor: **Peter Allan Smith**, Eleebana (AU)

(73) Assignee: **Kinlea Holdings Pty Limited**, Castle Hill (AU)

(\*\*) Term: **14 Years**

(21) Appl. No.: **29/339,686**

(22) Filed: **Jul. 6, 2009**

(30) **Foreign Application Priority Data**

Jan. 7, 2009 (AU) ..... 10042/2009

(51) **LOC (9) Cl.** ..... **19-07**

(52) **U.S. Cl.** ..... **D19/59**

(58) **Field of Classification Search** ..... D19/59-64;  
D21/484, 498, 470, 478-480; 434/277-281,  
434/295; 446/70, 124

See application file for complete search history.

(56) **References Cited**

**U.S. PATENT DOCUMENTS**

D197,655 S *	3/1964	Sabatino et al.	.....	D21/498
D253,121 S *	10/1979	Hida	.....	D21/498
D258,597 S *	3/1981	Barrett	.....	D19/62
D260,662 S *	9/1981	Hida	.....	D21/498
D278,834 S *	5/1985	Satoh	.....	D19/62
D283,634 S *	4/1986	Kato et al.	.....	D21/498
D367,675 S *	3/1996	Welch	.....	D19/59
D390,293 S *	2/1998	Pardorf et al.	.....	D21/498

(Continued)

*Primary Examiner*—T. Chase Nelson

*Assistant Examiner*—Mark Cavanna

(74) *Attorney, Agent, or Firm*—Kelly Lowry & Kelley LLP

(57) **CLAIM**

The ornamental design for a housing having two interconnecting housing portions for use in an educational apparatus, as shown.

**DESCRIPTION**

FIG. 1 is a top plan view of a lower housing of a housing having two interconnecting housing portions for use in an educational apparatus embodying my new design;

FIG. 2 is a bottom plan view thereof;

FIG. 3 is a right-side elevational view thereof taken in the direction of arrow A in FIG. 1;

FIG. 4 is a right-side and front elevational view thereof taken in the direction of arrow B in FIG. 1;

FIG. 5 is a front and right-side elevational view thereof taken in the direction of arrow C in FIG. 1;

FIG. 6 is a left and rear elevational view thereof taken in the direction of arrow D in FIG. 1;

FIG. 7 is a top plan view an upper housing of the housing having two interconnection housing portions for use in an educational apparatus embodying my new design;

FIG. 8 is a bottom plan view thereof;

FIG. 9 is a right-side and front elevational view thereof taken in the direction of arrow A in FIG. 7;

FIG. 10 is a left-side and rear elevational view thereof taken in the direction of arrow B in FIG. 7;

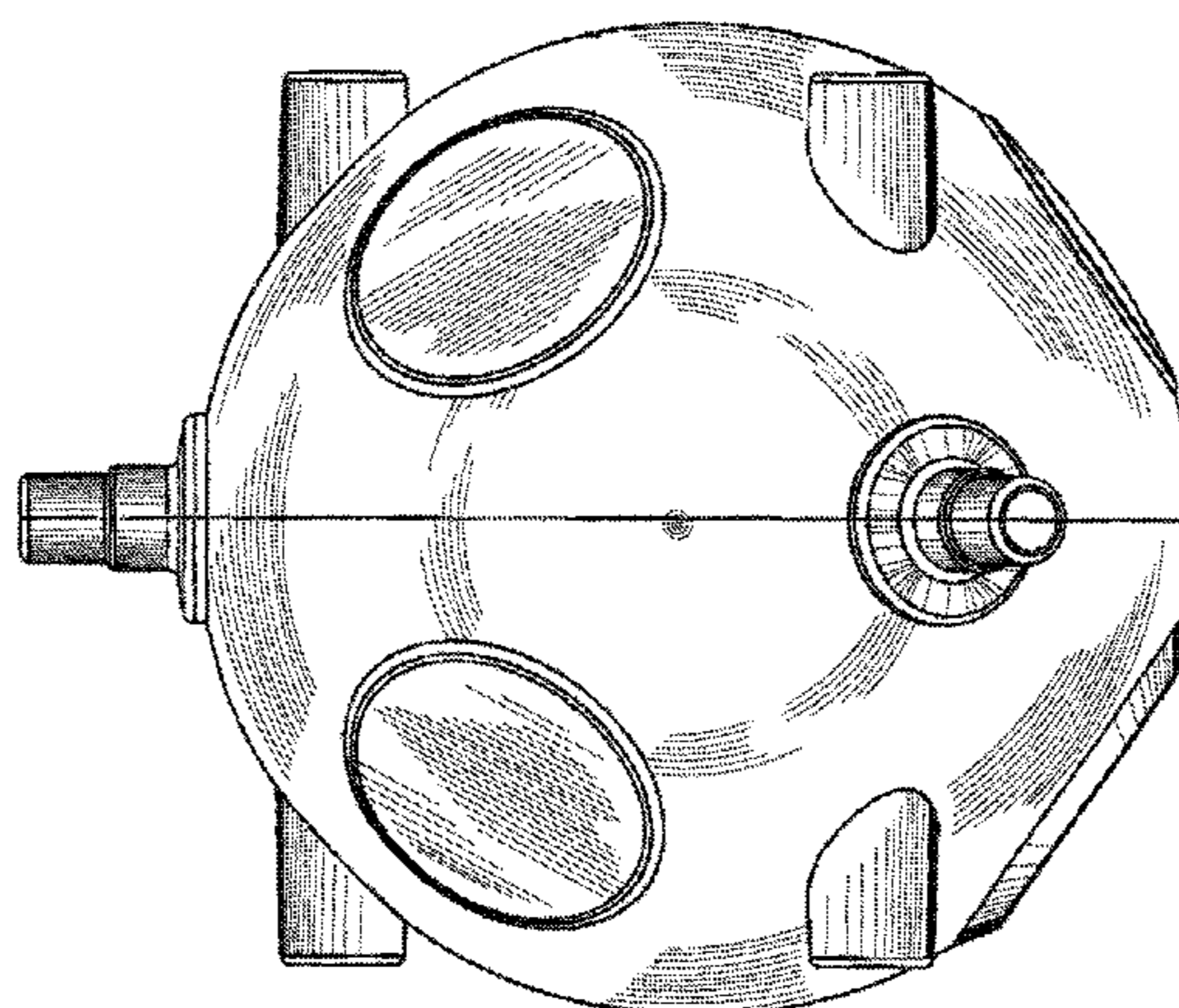
FIG. 11 is a right-side elevational view thereof taken in the direction of arrow C in FIG. 7;

FIG. 12 is a front and right-side elevational view thereof taken in the direction of arrow D in FIG. 7; and,

FIG. 13 is a side elevational view of the assembled upper and lower housings.

The broken lines are included for the purpose of illustrating portions of the housing having two interconnecting housing portions for use in an educational apparatus that forms no part of the claimed design.

**1 Claim, 9 Drawing Sheets**



# US D621,447 S

Page 2

---

## U.S. PATENT DOCUMENTS

D395,926 S *	7/1998	Lassen .....	D21/484	D480,425 S *	10/2003	Suchta .....	D19/59
D400,620 S *	11/1998	Barton, Jr. ....	D21/498	D526,684 S *	8/2006	Spiring .....	D19/59
D435,069 S *	12/2000	Berardelli .....	446/70	D545,917 S *	7/2007	Sorensen .....	D21/484
D437,010 S *	1/2001	Meys .....	D21/498	D546,401 S *	7/2007	Sorensen .....	D21/484
D462,719 S *	9/2002	Guilloton et al. ....	D19/62	D563,486 S *	3/2008	Slater et al. ....	D21/498
D469,824 S *	2/2003	Manville et al. ....	D21/498	7,465,169 B2 *	12/2008	Roth et al. ....	434/278

\* cited by examiner

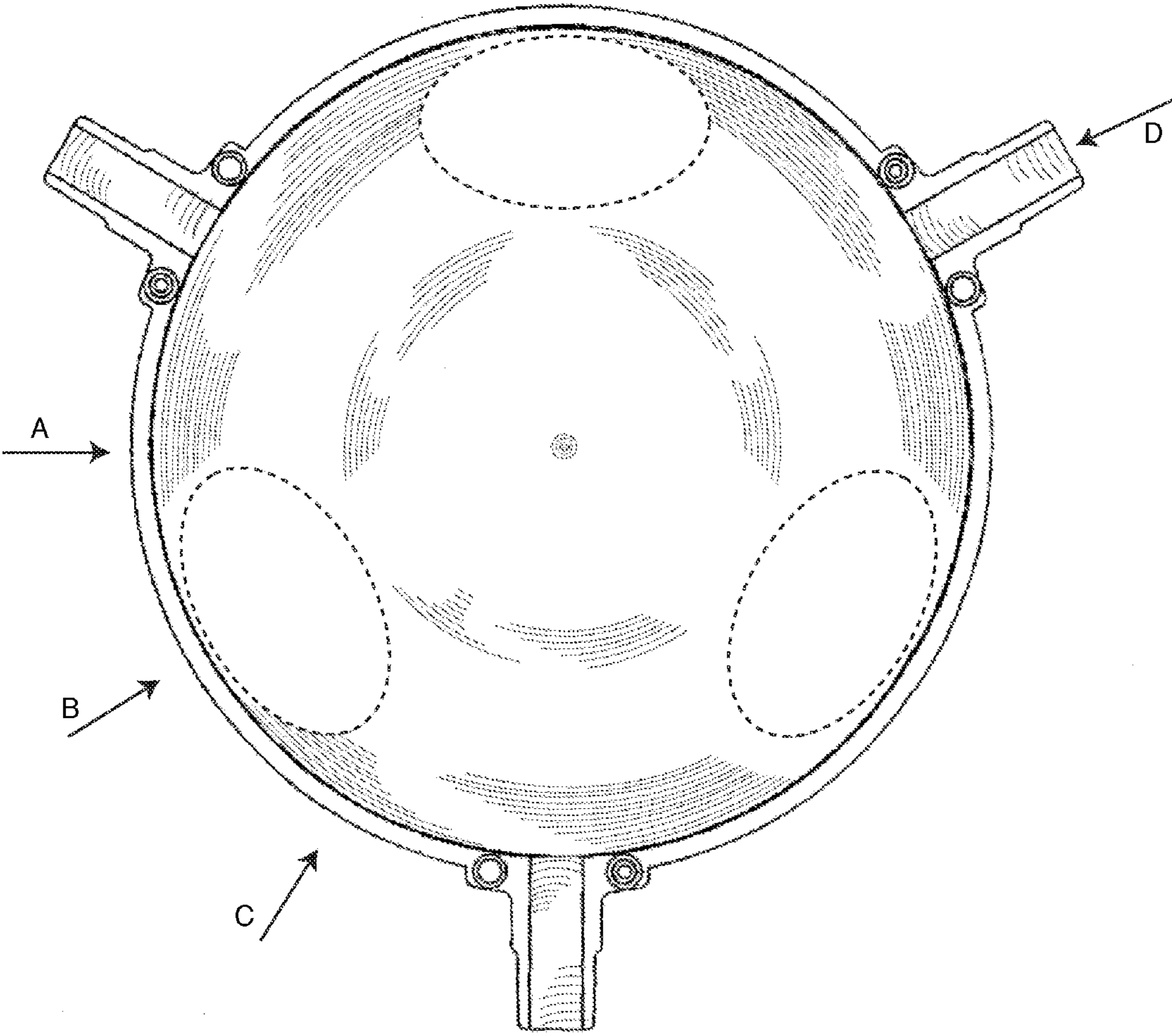


FIG. 1

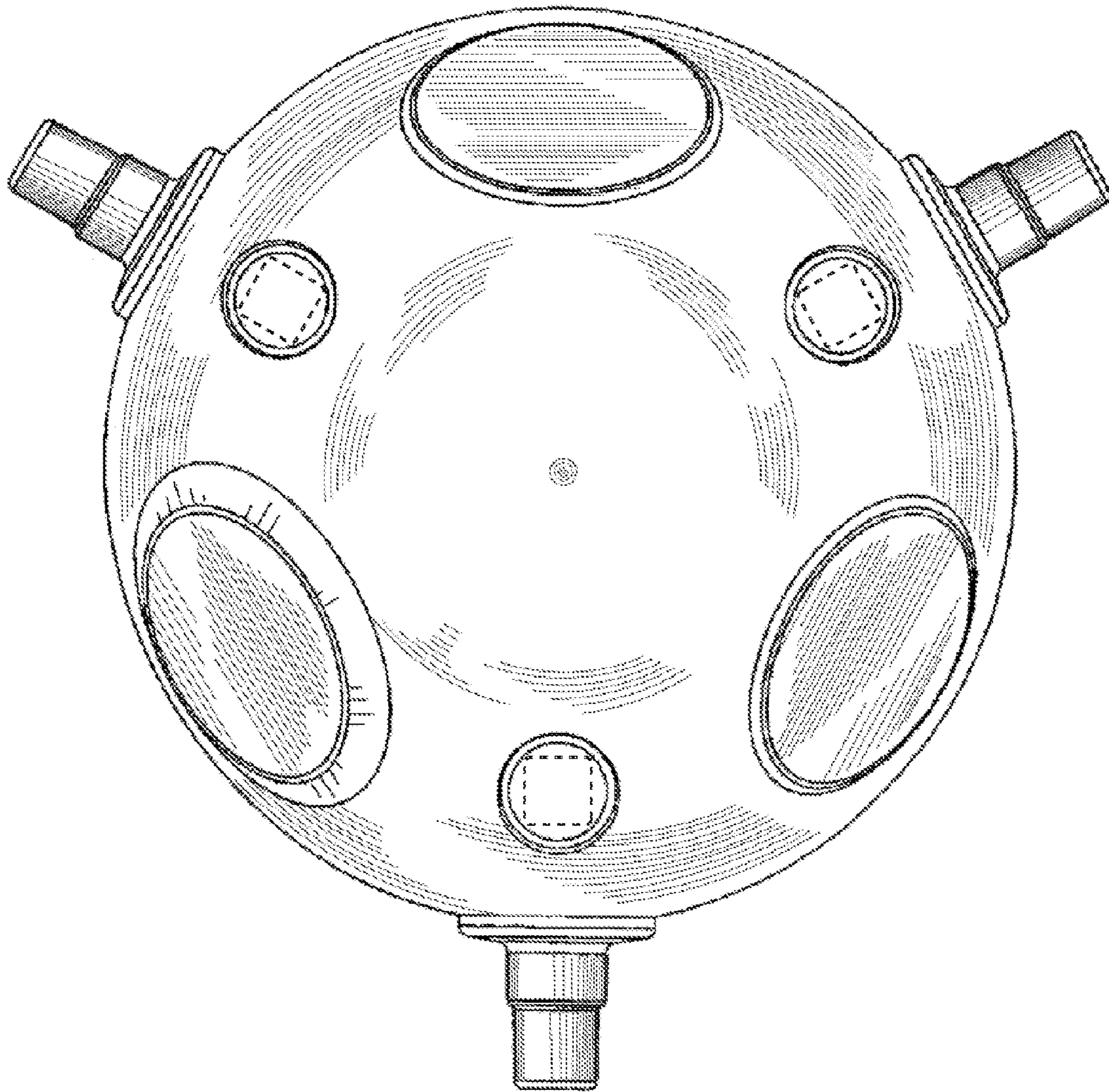


FIG. 2

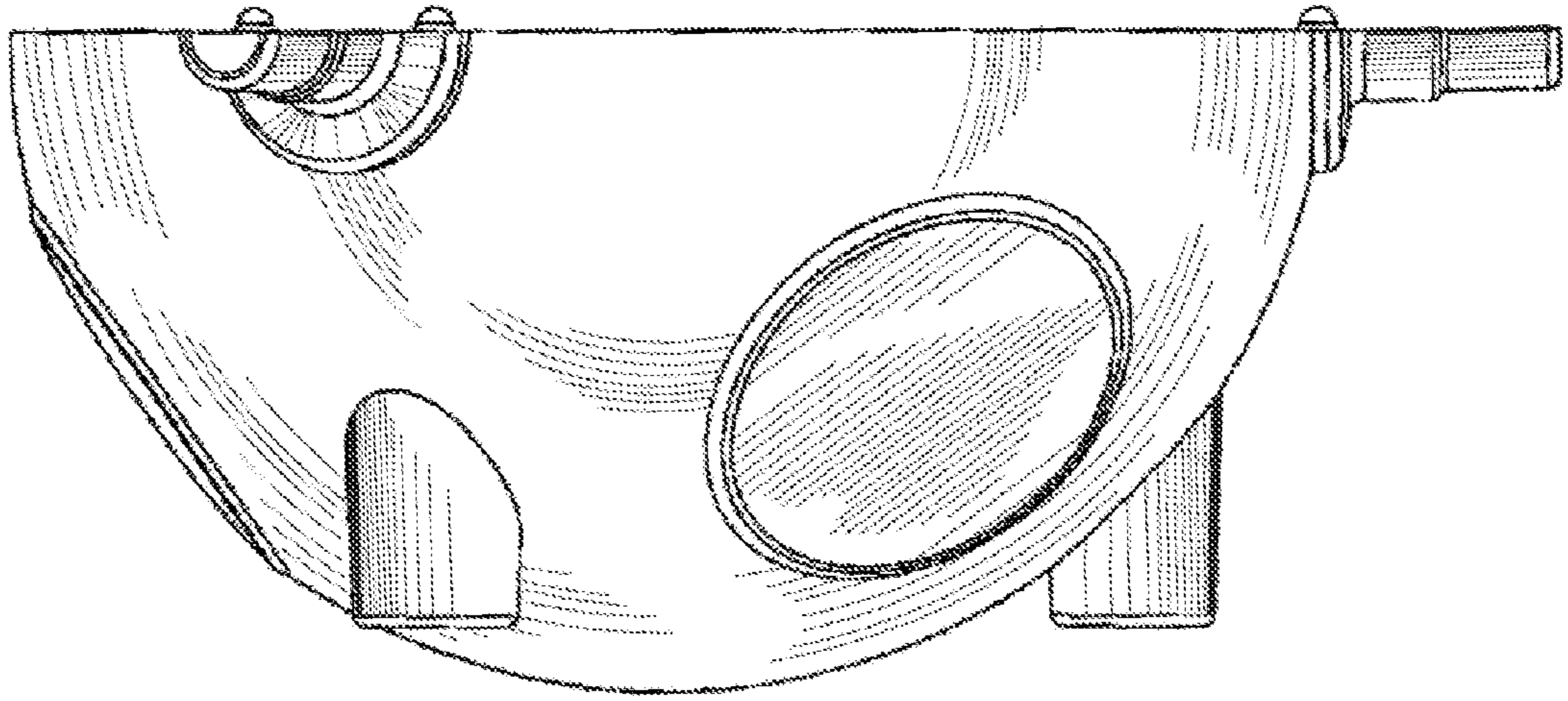


FIG. 3

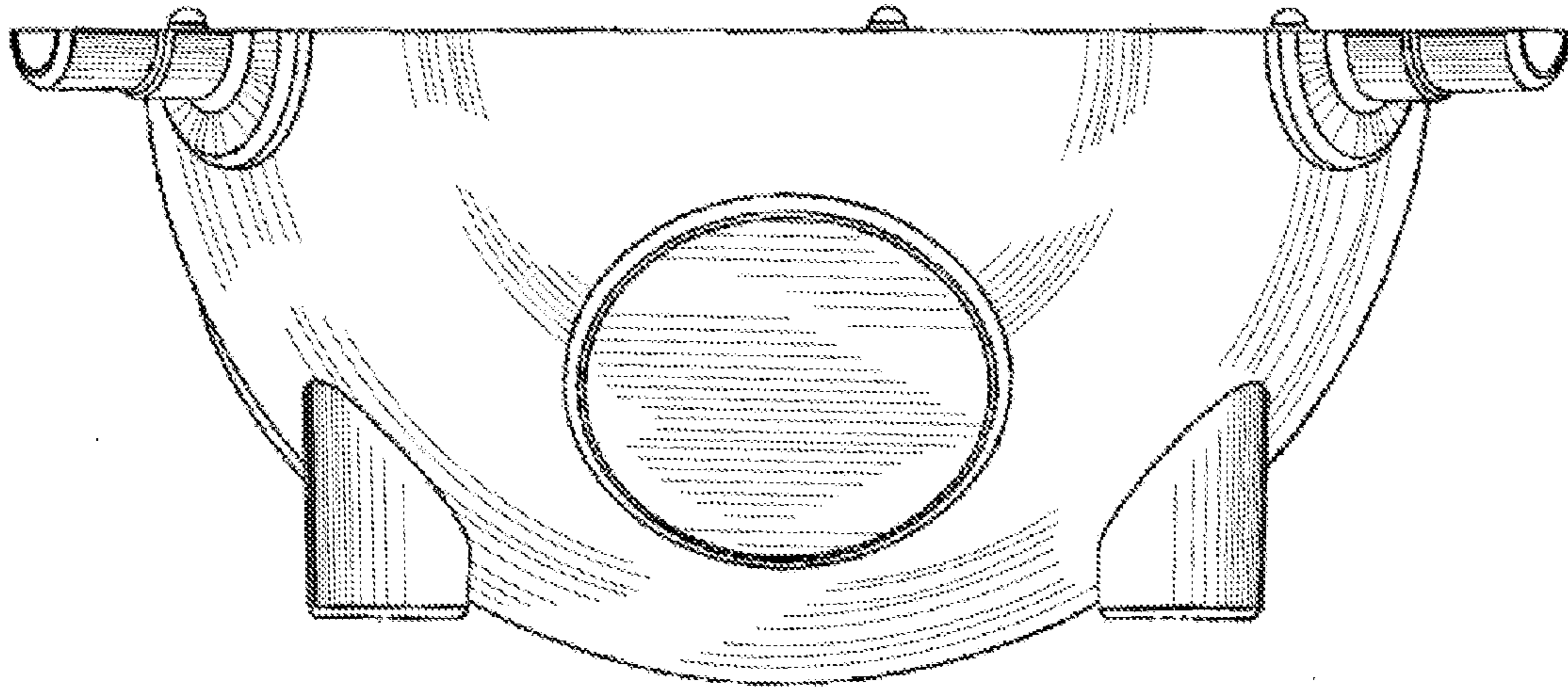


FIG. 4

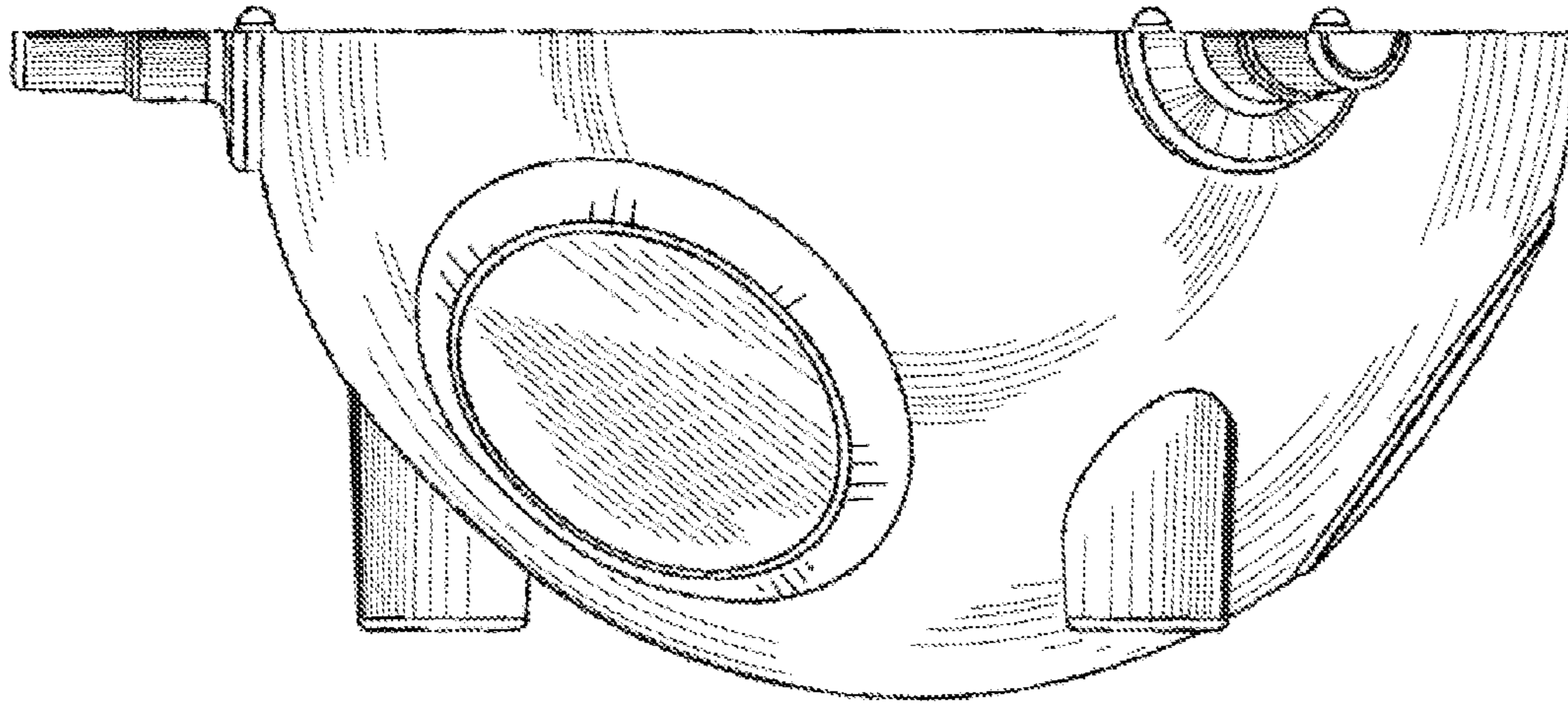


FIG. 5

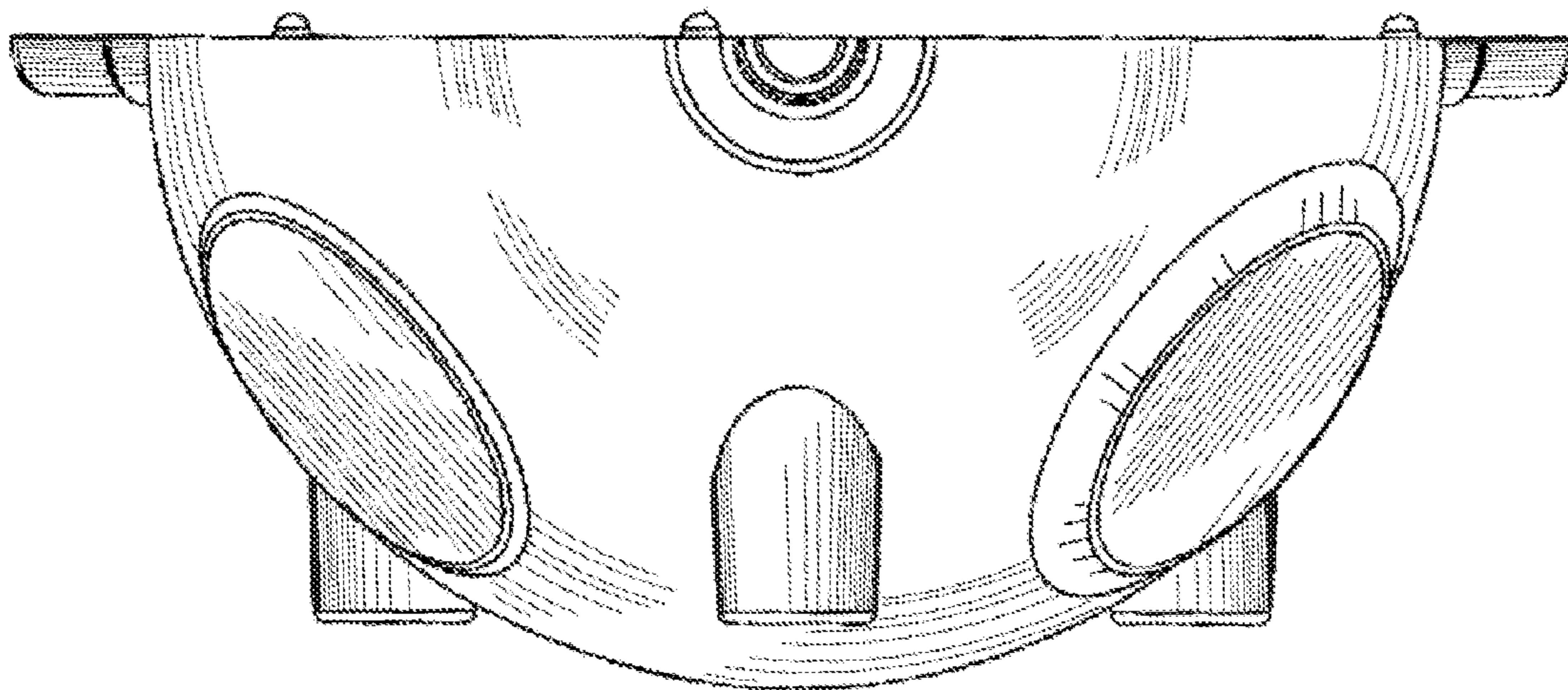


FIG. 6

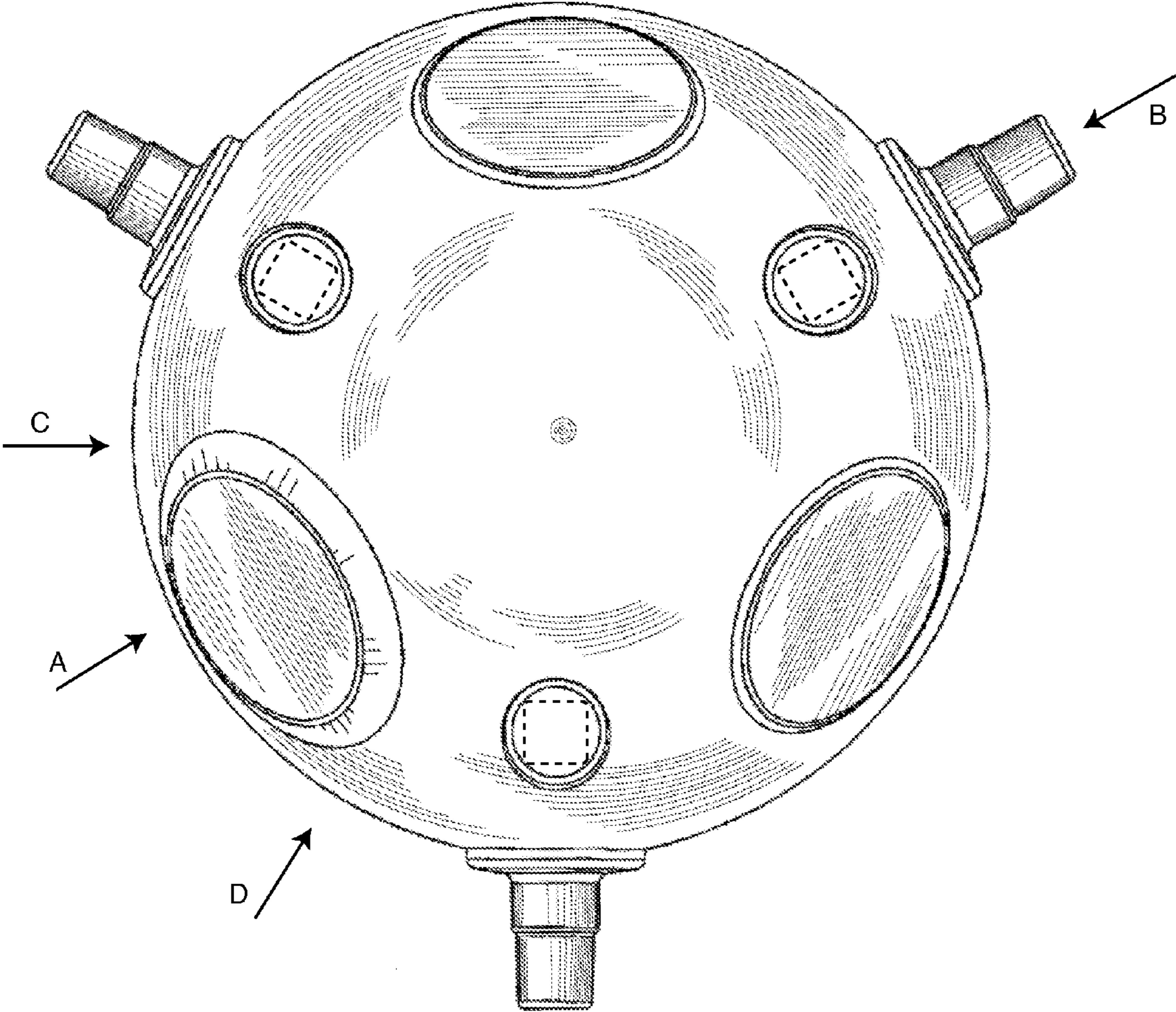


FIG. 7

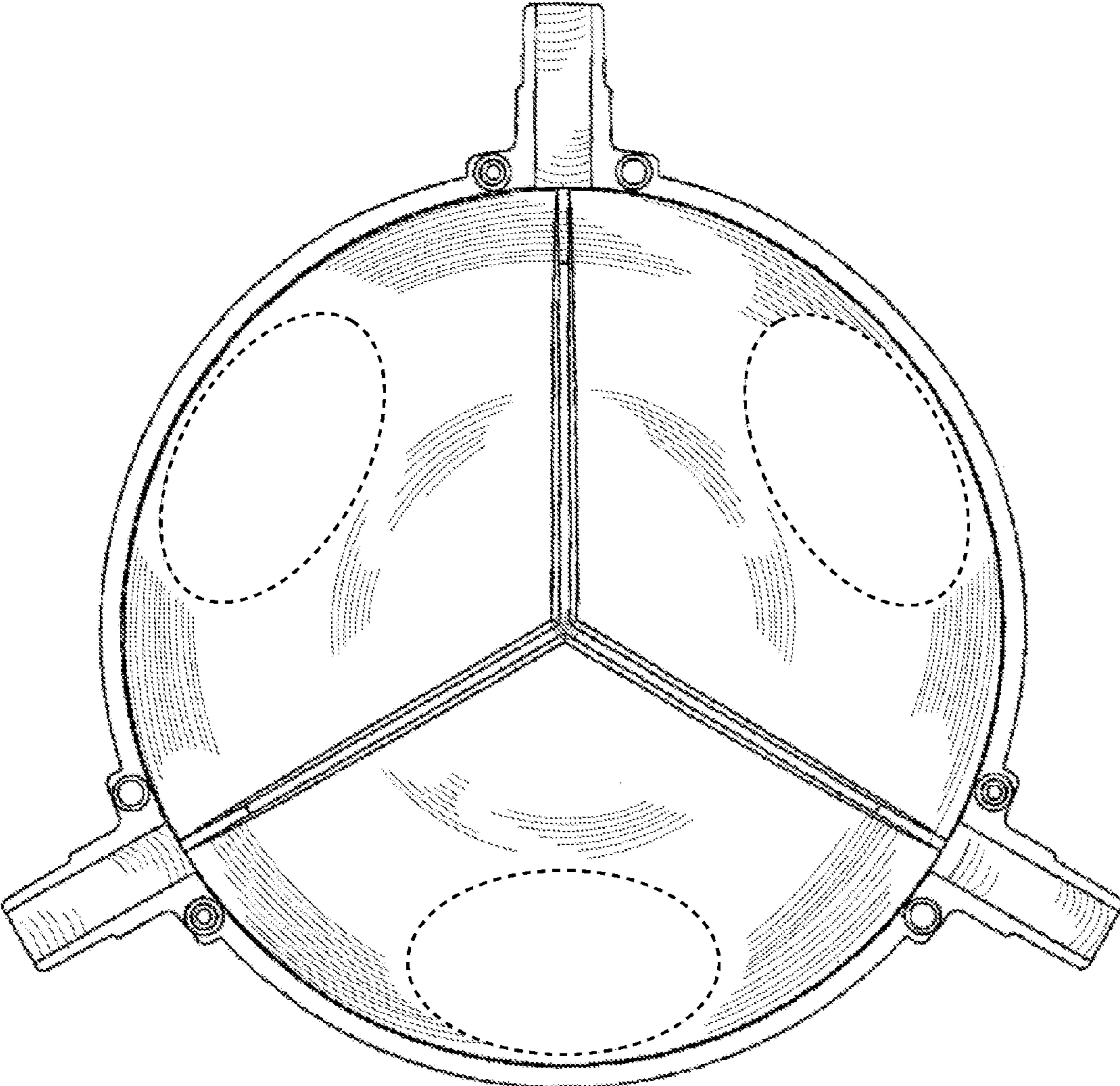


FIG. 8



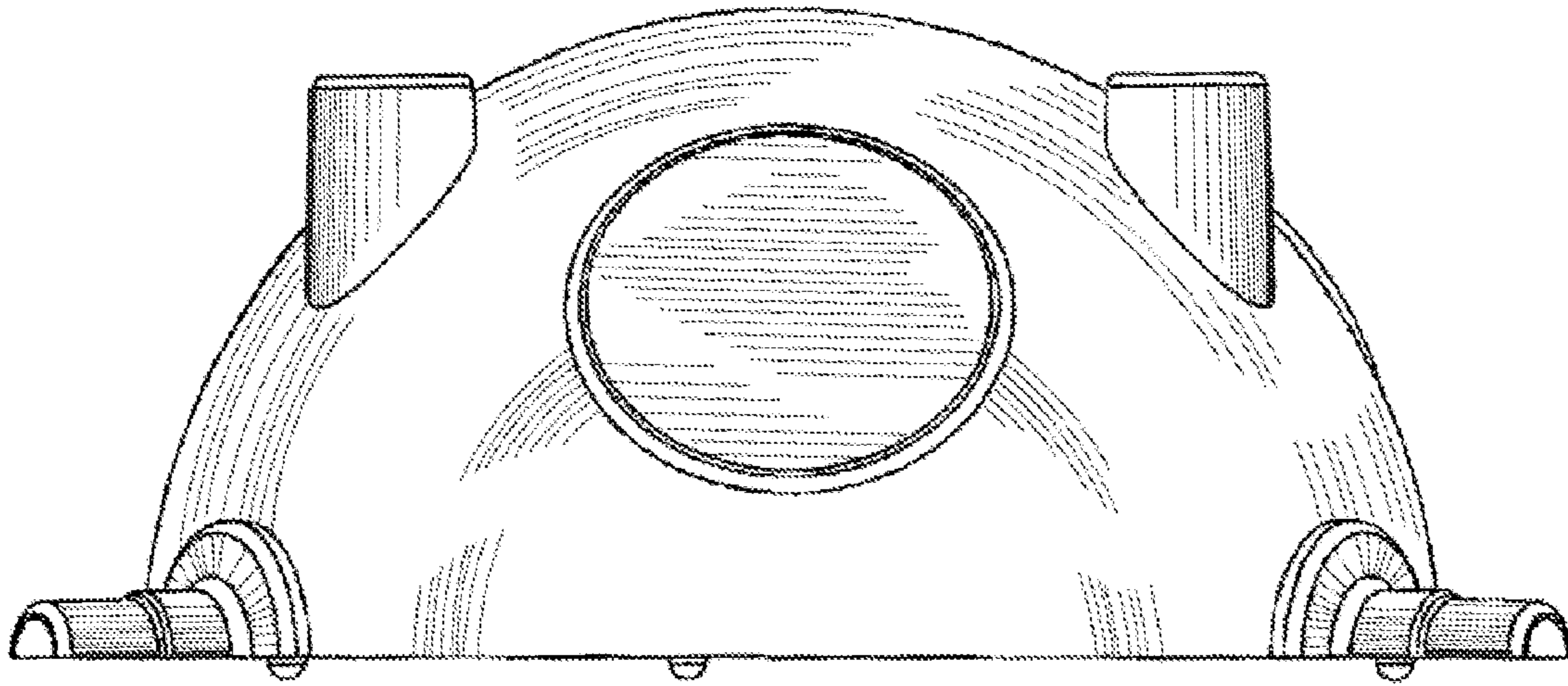


FIG. 9

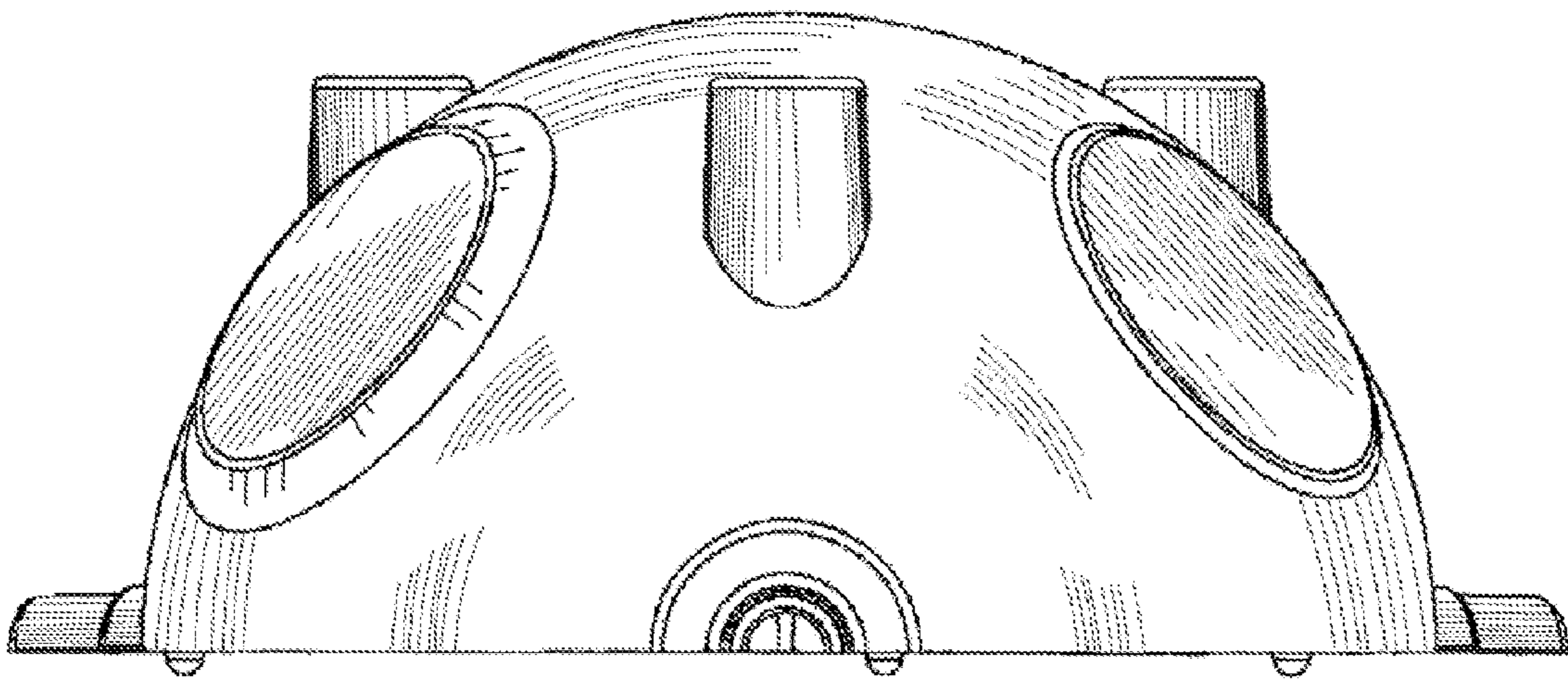


FIG. 10

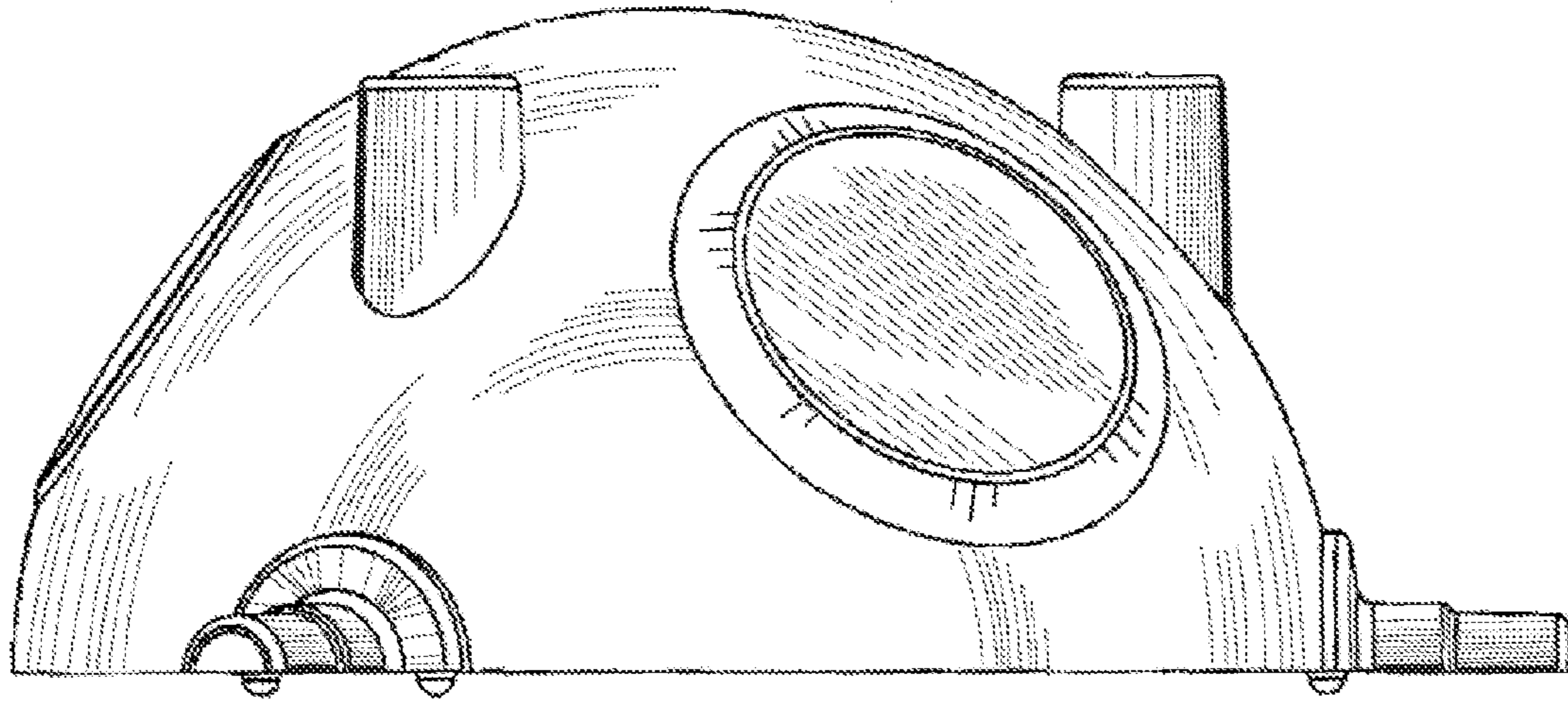


FIG. 11

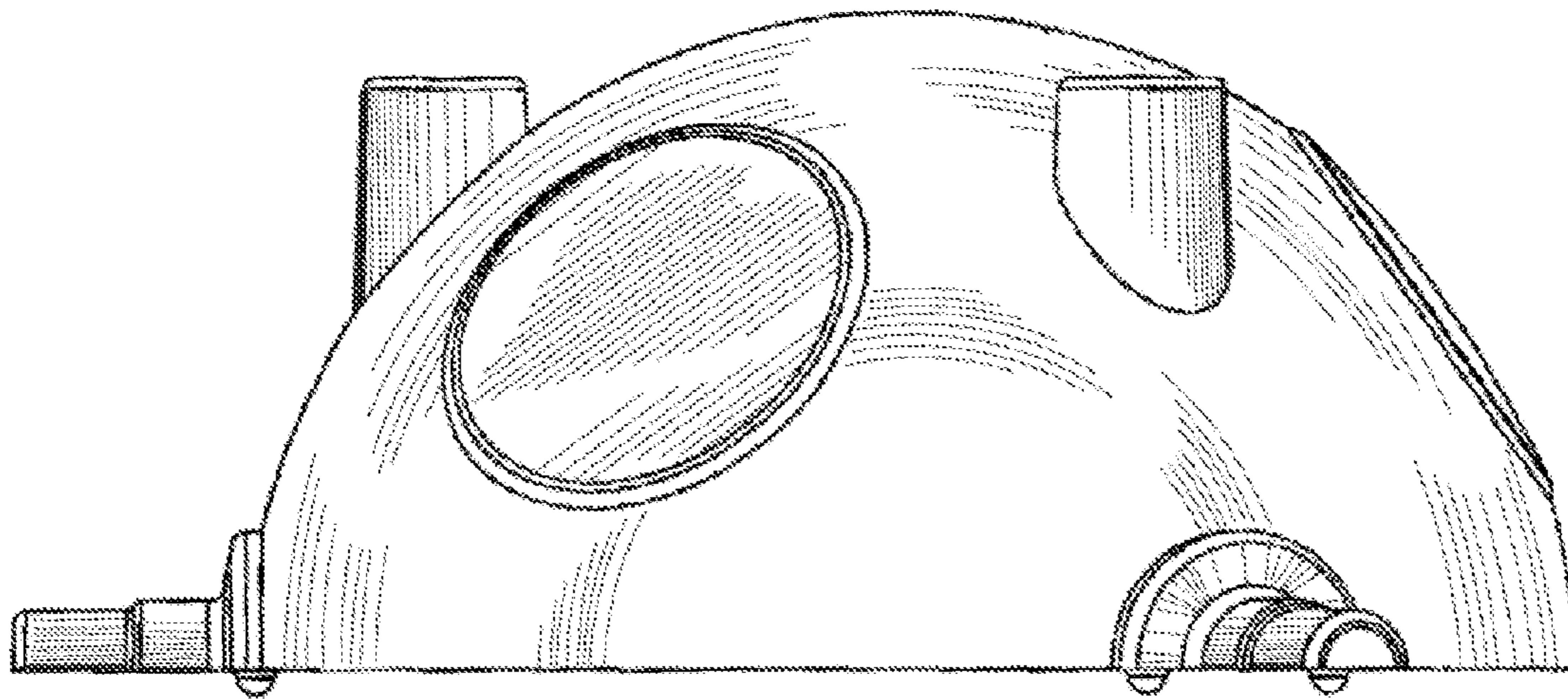


FIG. 12

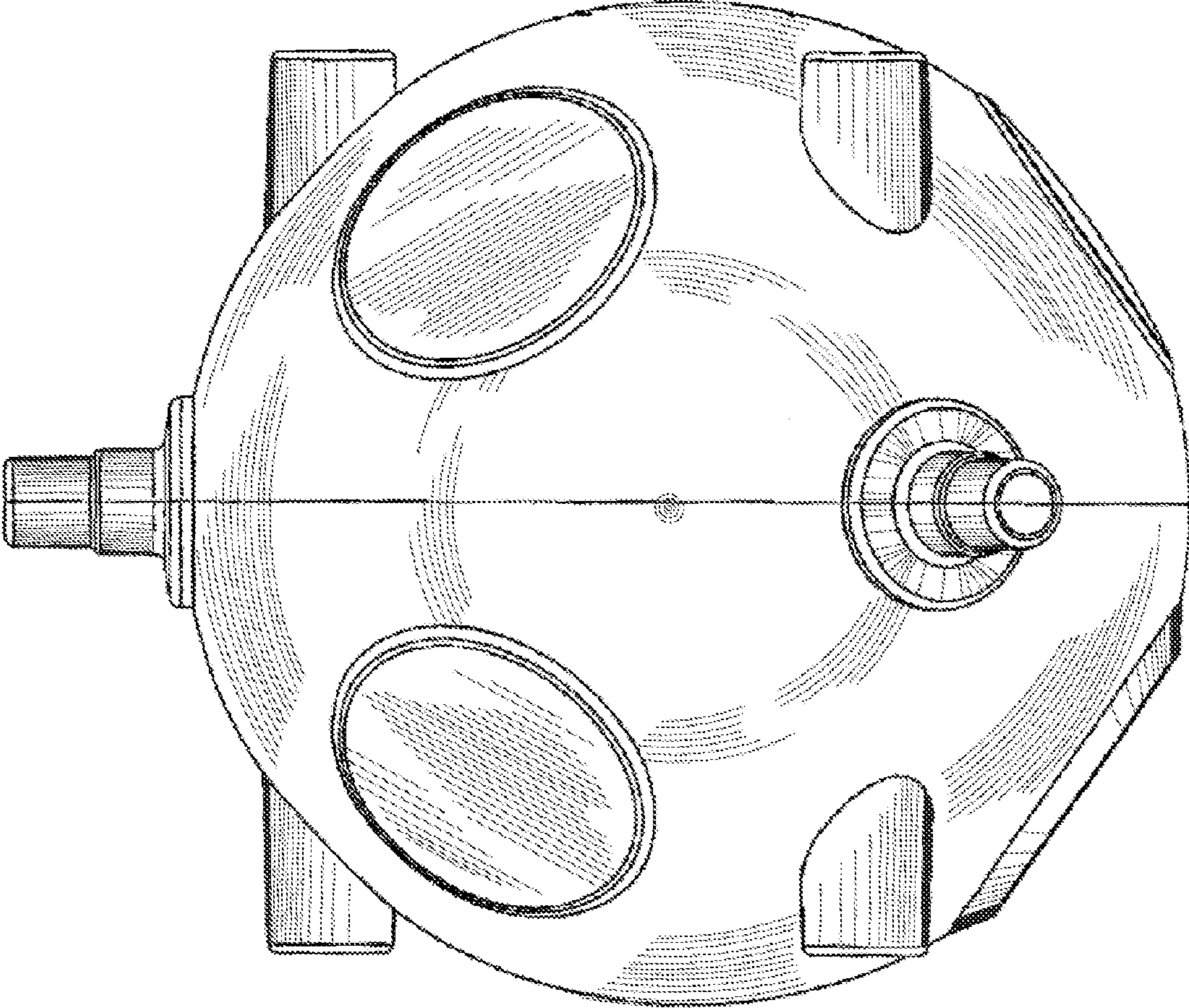


FIG. 13