

US00D621439S

(12) **United States Design Patent**
Hamanaga

(10) **Patent No.:** **US D621,439 S**

(45) **Date of Patent:** **** Aug. 10, 2010**

(54) **SILENCER FOR TRUMPET**

D386,197 S * 11/1997 Hamanaga D17/13
D386,198 S * 11/1997 Hamanaga D17/13

(75) Inventor: **Shinji Hamanaga**, Shizuoka (JP)

* cited by examiner

(73) Assignee: **Best Brass Corporation**, Iwata-shi,
Shizuoka (JP)

Primary Examiner—Ian Simmons

Assistant Examiner—R. Johnson

(**) Term: **14 Years**

(74) *Attorney, Agent, or Firm*—Flynn, Thiel, Boutell & Tanis,
P.C.

(21) Appl. No.: **29/286,935**

(57) **CLAIM**

(22) Filed: **May 22, 2007**

The ornamental design for a silencer for trumpet, as shown
and described.

(30) **Foreign Application Priority Data**

Feb. 6, 2007 (JP) 2007-002619

DESCRIPTION

(51) **LOC (9) Cl.** **17-02**

(52) **U.S. Cl.** **D17/13**

(58) **Field of Classification Search** D17/13,
D17/99, 11; 84/400; D3/204; 206/314
See application file for complete search history.

FIG. 1 is a front elevational view of a silencer for trumpet.
FIG. 2 is a back elevational view of a silencer for trumpet.
FIG. 3 is a right side view of a silencer for trumpet.
FIG. 4 is a left side view of a silencer for trumpet.
FIG. 5 is a top plan view of a silencer for trumpet.
FIG. 6 is a bottom plan view of a silencer for trumpet; and,
FIG. 7 is a perspective view of a silencer for trumpet.

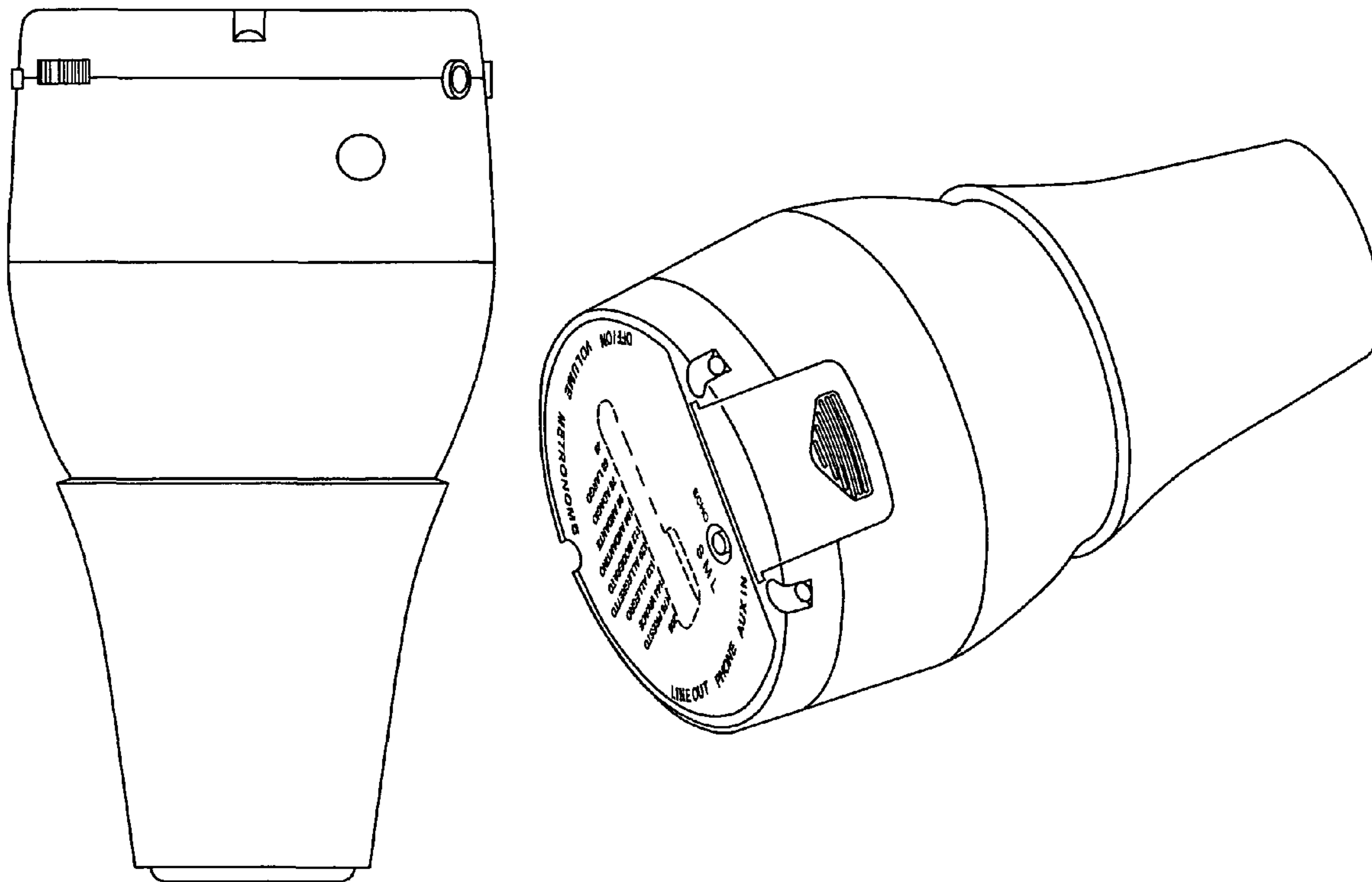
The broken lines depict environmental subject matter only
and form no part of the claimed design.

(56) **References Cited**

U.S. PATENT DOCUMENTS

2,252,847 A * 8/1941 Greenspan 84/400
3,555,956 A * 1/1971 Martin 84/400
3,646,471 A * 2/1972 DeMent 372/77
D223,726 S * 5/1972 Crown D17/13
D381,037 S * 7/1997 Hamanaga D17/13

1 Claim, 7 Drawing Sheets



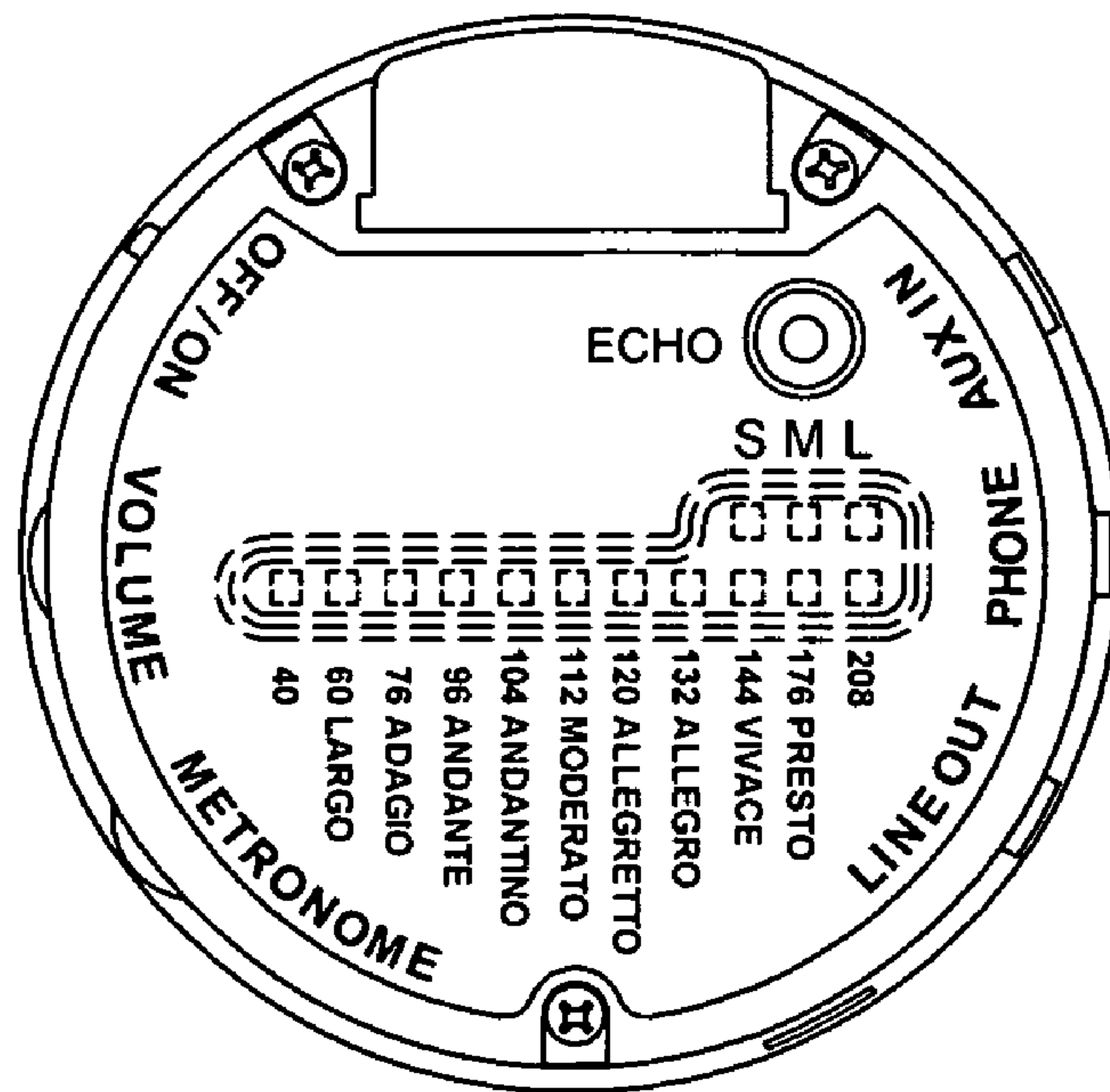


FIG. 1

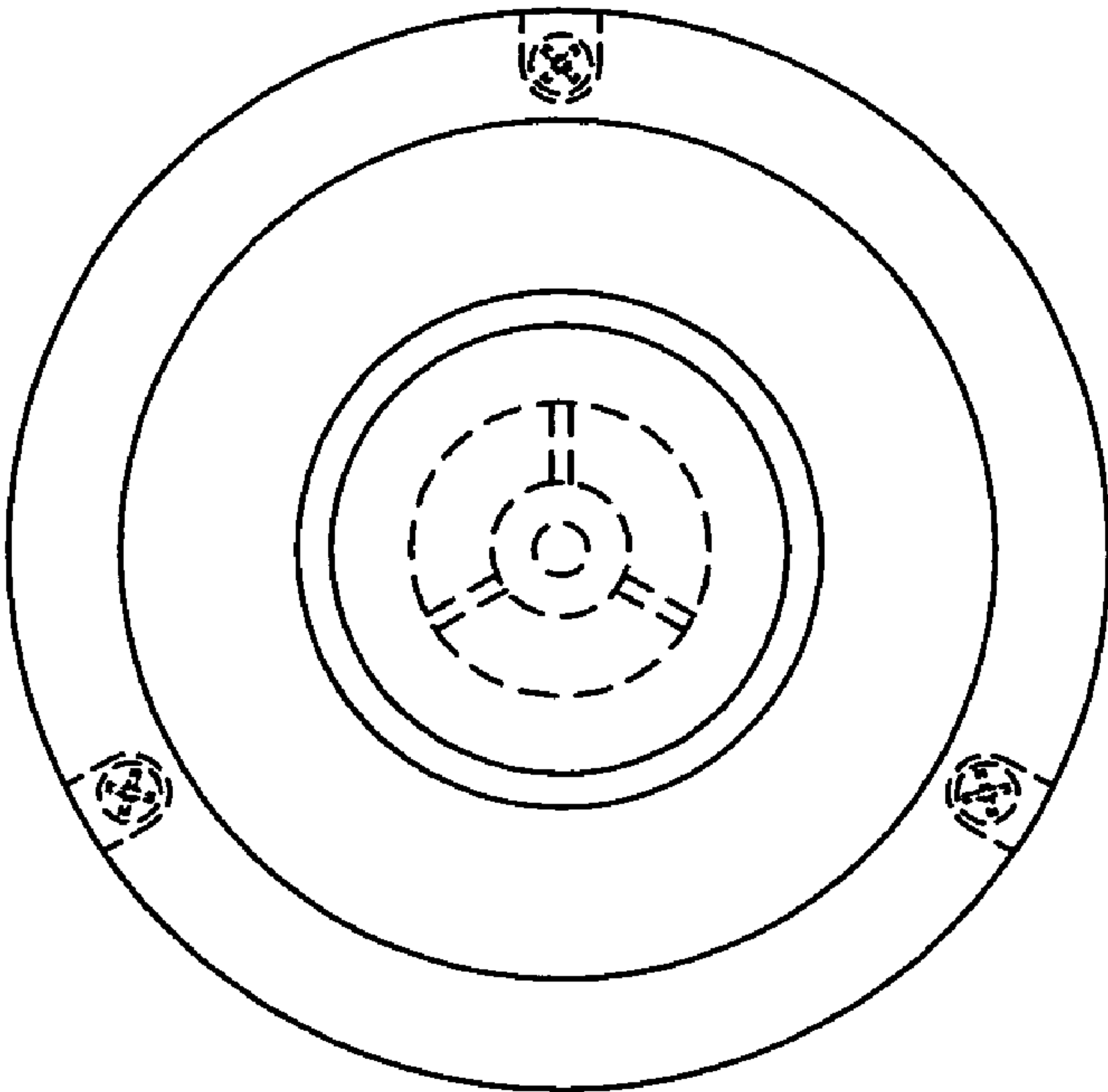


FIG. 2

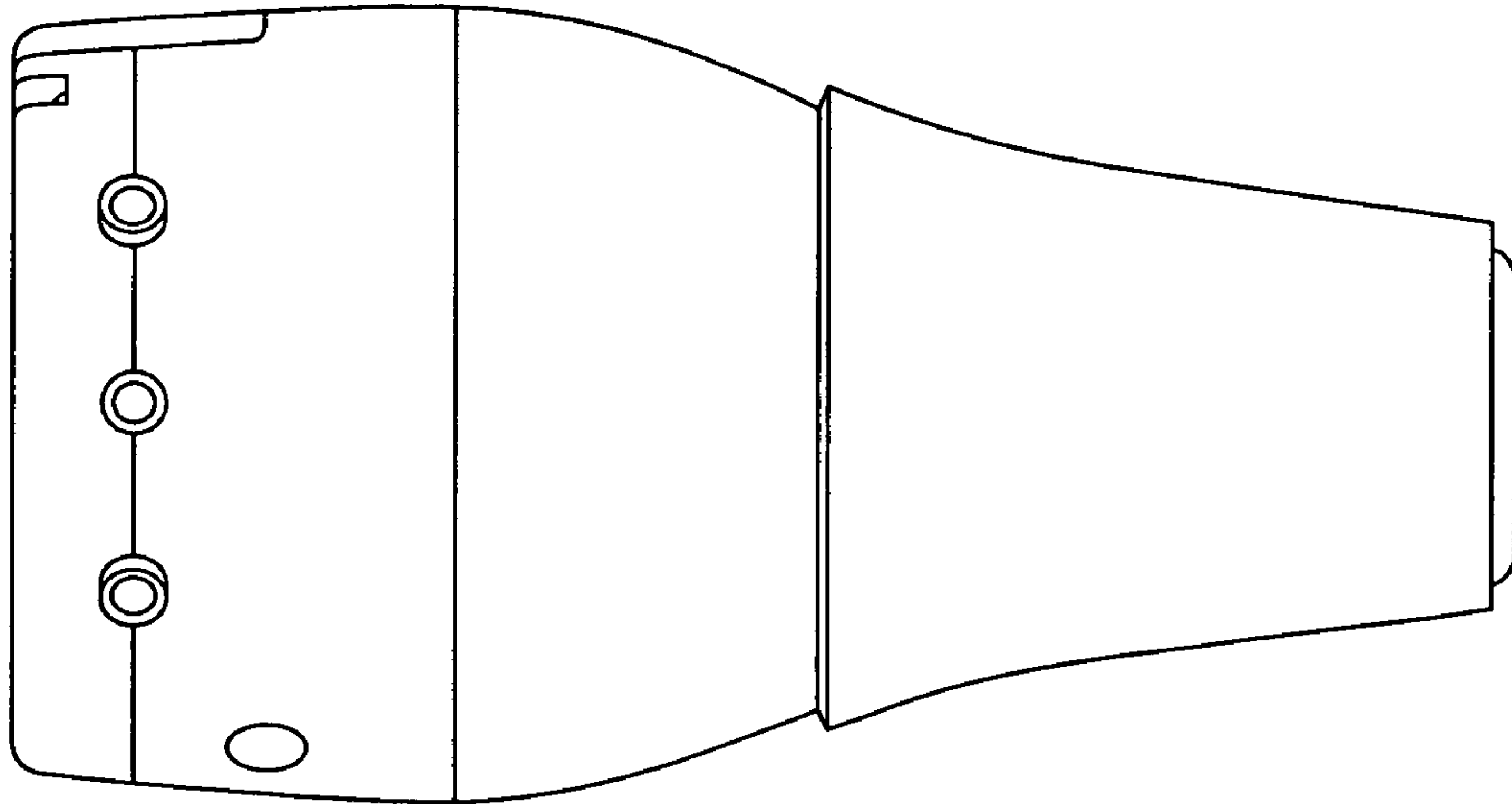


FIG. 3

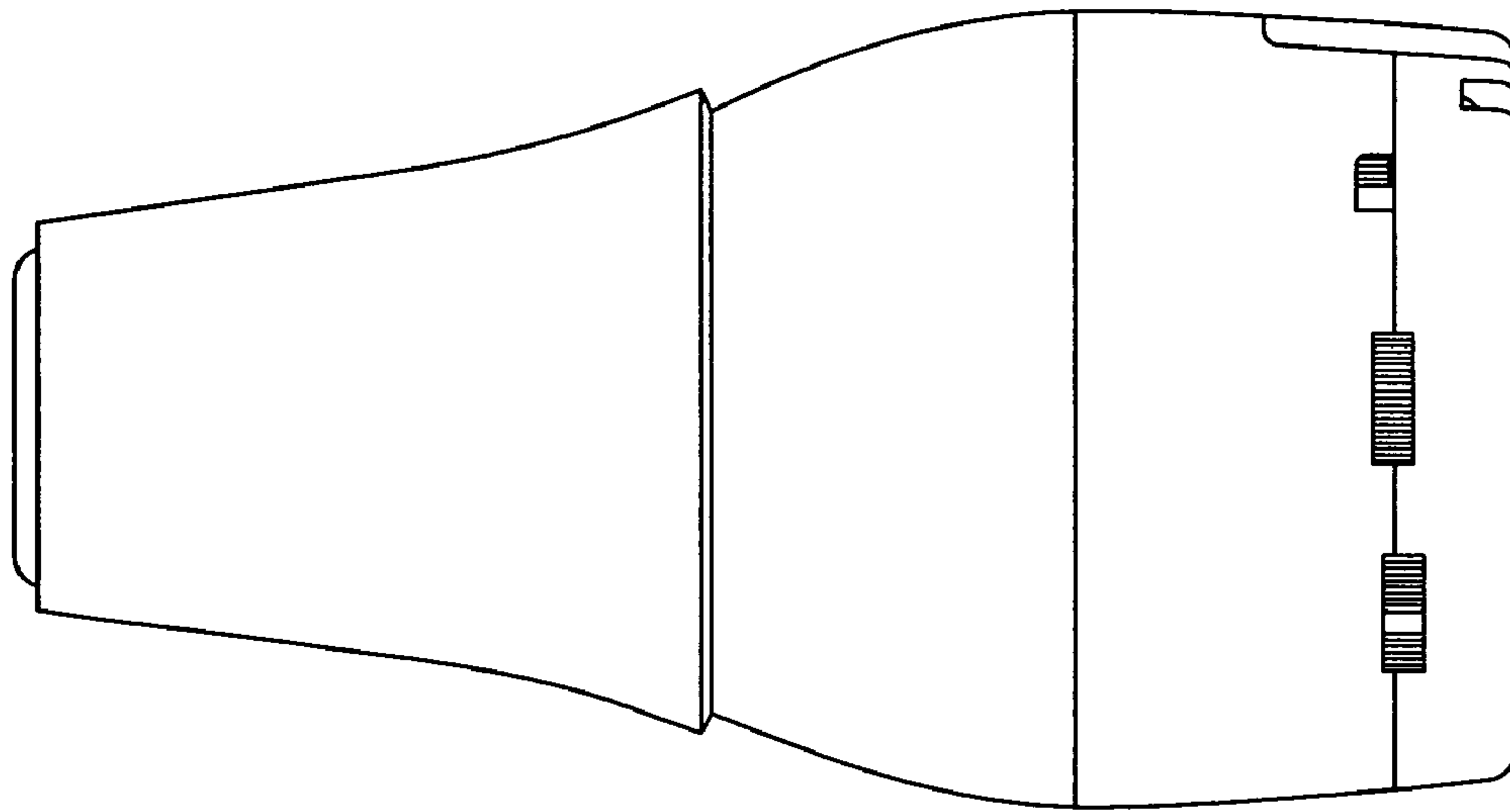


FIG. 4

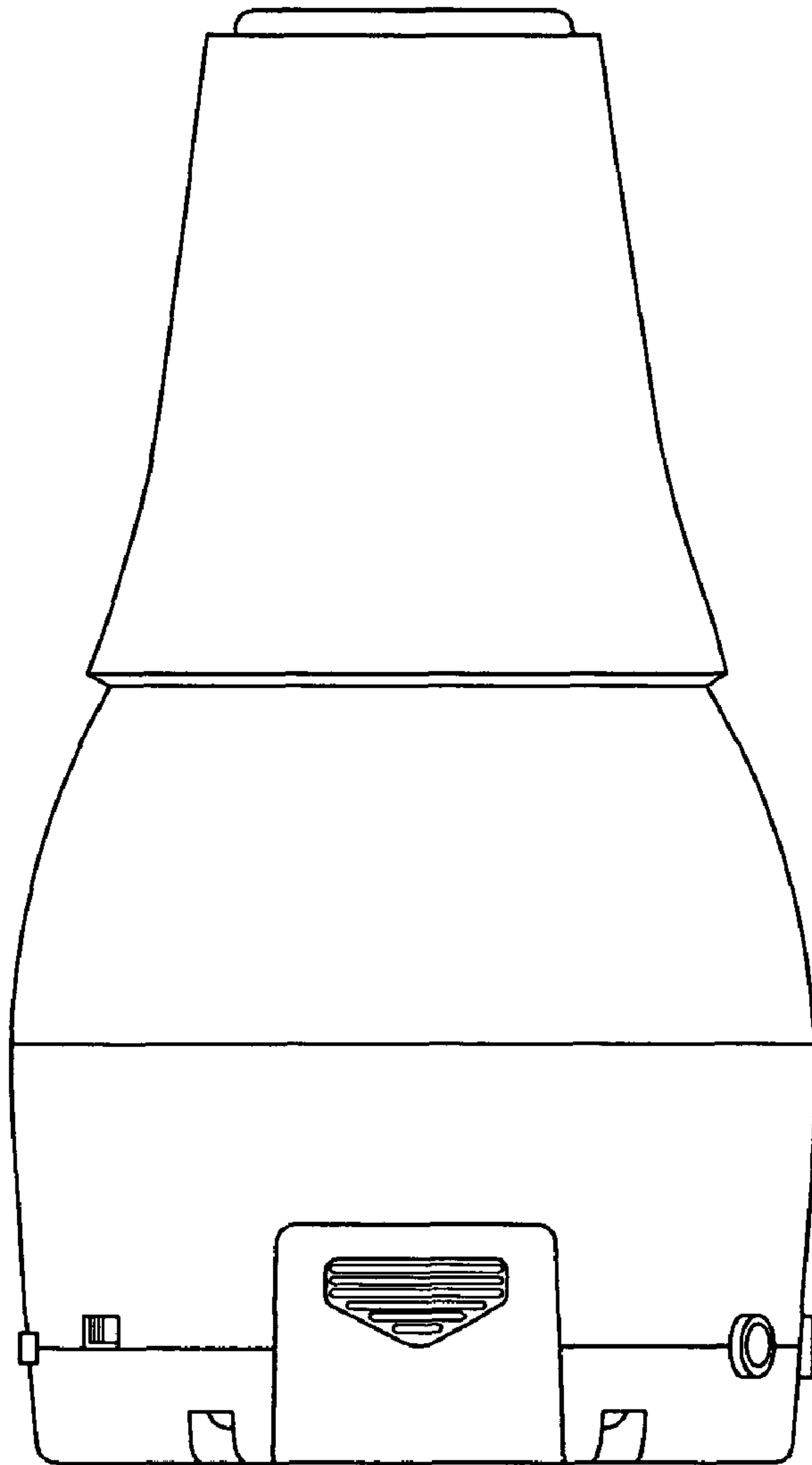


FIG. 5

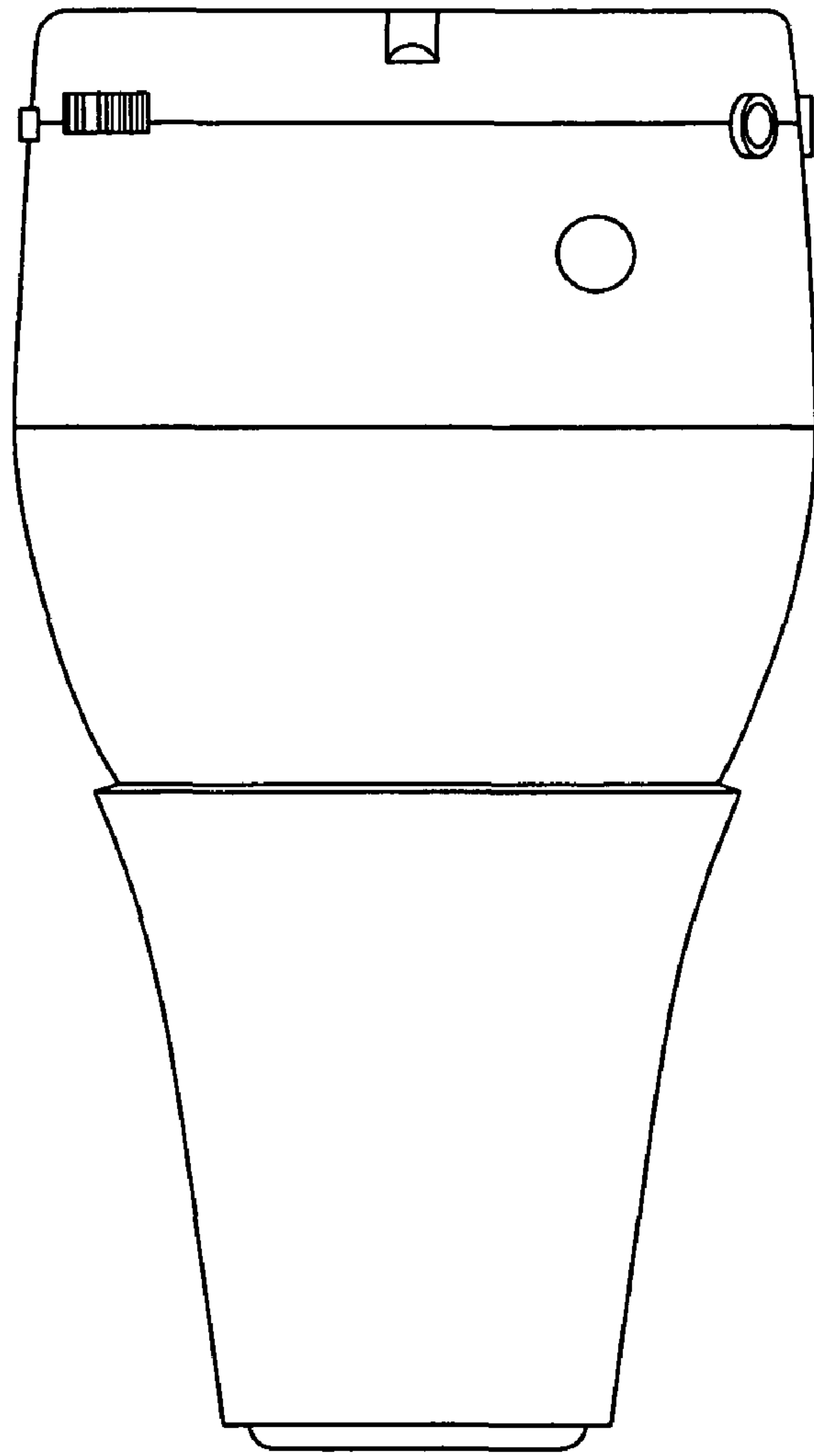


FIG. 6

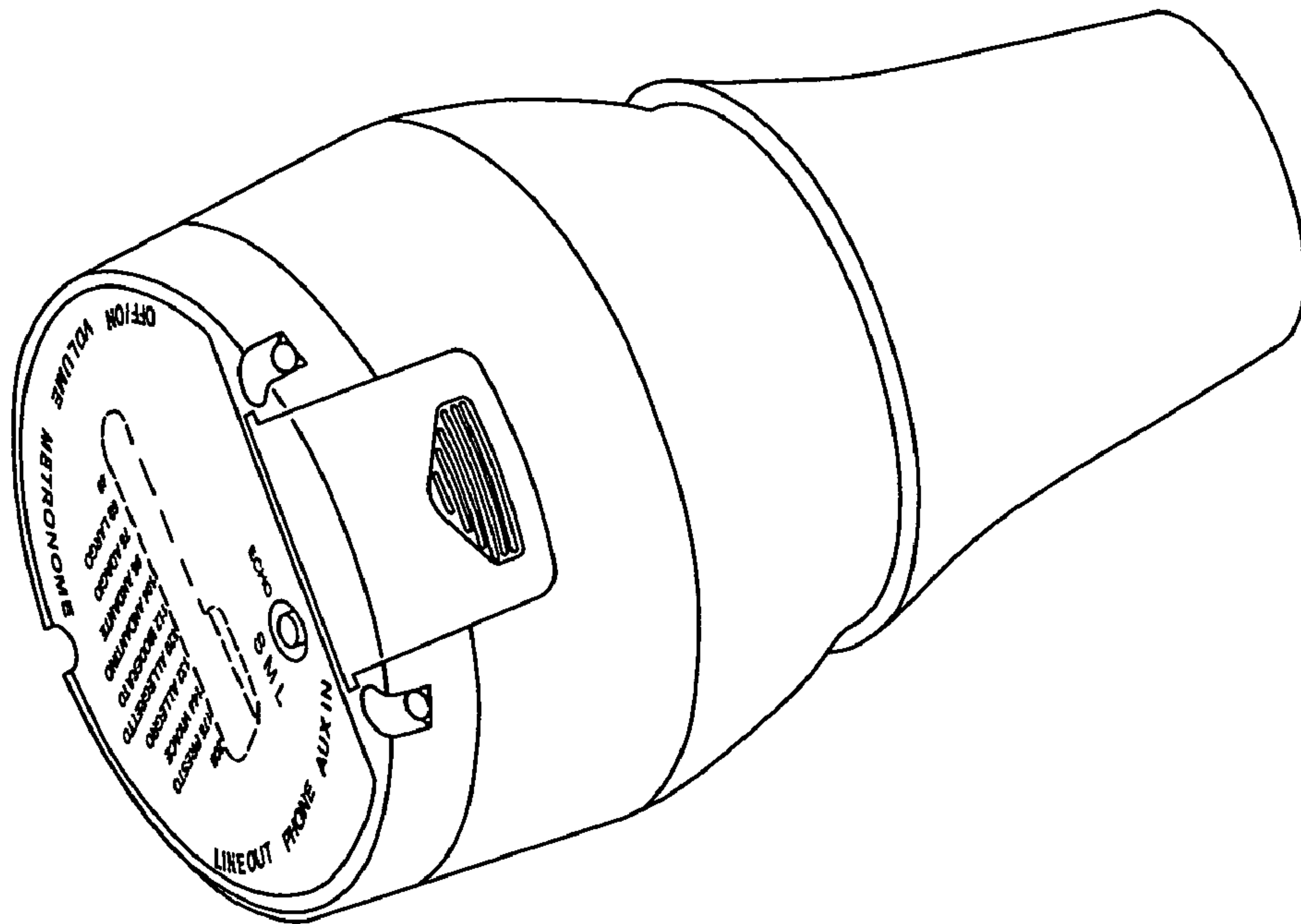


FIG. 7