



US00D621436S

(12) **United States Design Patent**  
**Chidester**

(10) **Patent No.:** **US D621,436 S**

(45) **Date of Patent:** **\*\* Aug. 10, 2010**

(54) **RECEIVING BASE FOR A QUICK CONNECT  
STAND MOUNTING SYSTEM**

(76) **Inventor:** **Clinton Reed Chidester**, 1113 E.  
Waddell St., Eagle Mountain, UT (US)  
84005

(\*\*) **Term:** **14 Years**

(21) **Appl. No.:** **29/314,735**

(22) **Filed:** **Apr. 22, 2009**

(51) **LOC (9) Cl.** ..... **16-05**

(52) **U.S. Cl.** ..... **D16/245**

(58) **Field of Classification Search** ..... D16/237,  
D16/242, 244, 245; 248/176.1, 177.1, 187.1;  
352/343; 396/329, 419, 421, 428  
See application file for complete search history.

(56) **References Cited**

**U.S. PATENT DOCUMENTS**

4,466,595	A	8/1984	O'Connor	
4,525,052	A	6/1985	Kosugi et al.	
4,570,887	A	2/1986	Banister	
4,763,151	A	8/1988	Klinger	
4,929,973	A	5/1990	Nakatani	
5,137,238	A	8/1992	Hutten	
5,222,826	A	6/1993	Hanke	
D399,230	S *	10/1998	Tenne	D16/245
6,196,504	B1	3/2001	Lemke	
D483,789	S *	12/2003	Dordick	D16/245
6,773,172	B1 *	8/2004	Johnson et al.	248/187.1

7,077,582	B2	7/2006	Johnson	
7,185,862	B1	3/2007	Yang	
7,290,740	B2	11/2007	Joy et al.	
7,431,247	B2 *	10/2008	Bobro	248/176.1
D602,974	S *	10/2009	Zen	D16/242
D604,352	S *	11/2009	Carlesso	D16/245

\* cited by examiner

*Primary Examiner*—Adir Aronovich

(74) *Attorney, Agent, or Firm*—Morris O'Bryant Compagni

(57) **CLAIM**

The ornamental design for the receiving base for a quick connect stand mounting system, as shown and described.

**DESCRIPTION**

FIG. 1 is a rear and right side perspective view of a receiving base for a quick connect stand mounting system showing my new design;

FIG. 2 is a right side elevational view thereof;

FIG. 3 is a left side elevational view thereof;

FIG. 4 is a rear elevational view thereof;

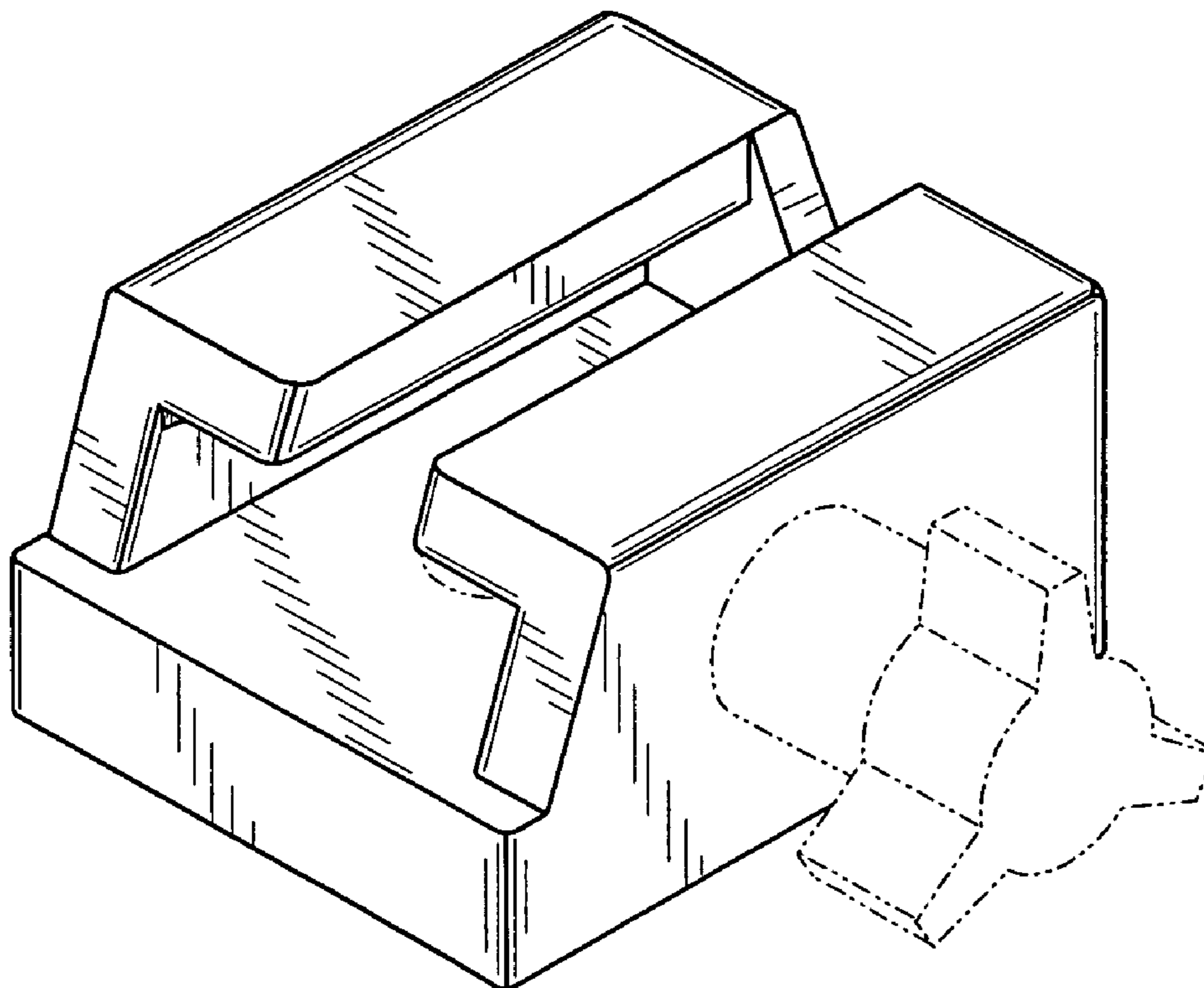
FIG. 5 is a front elevational view thereof;

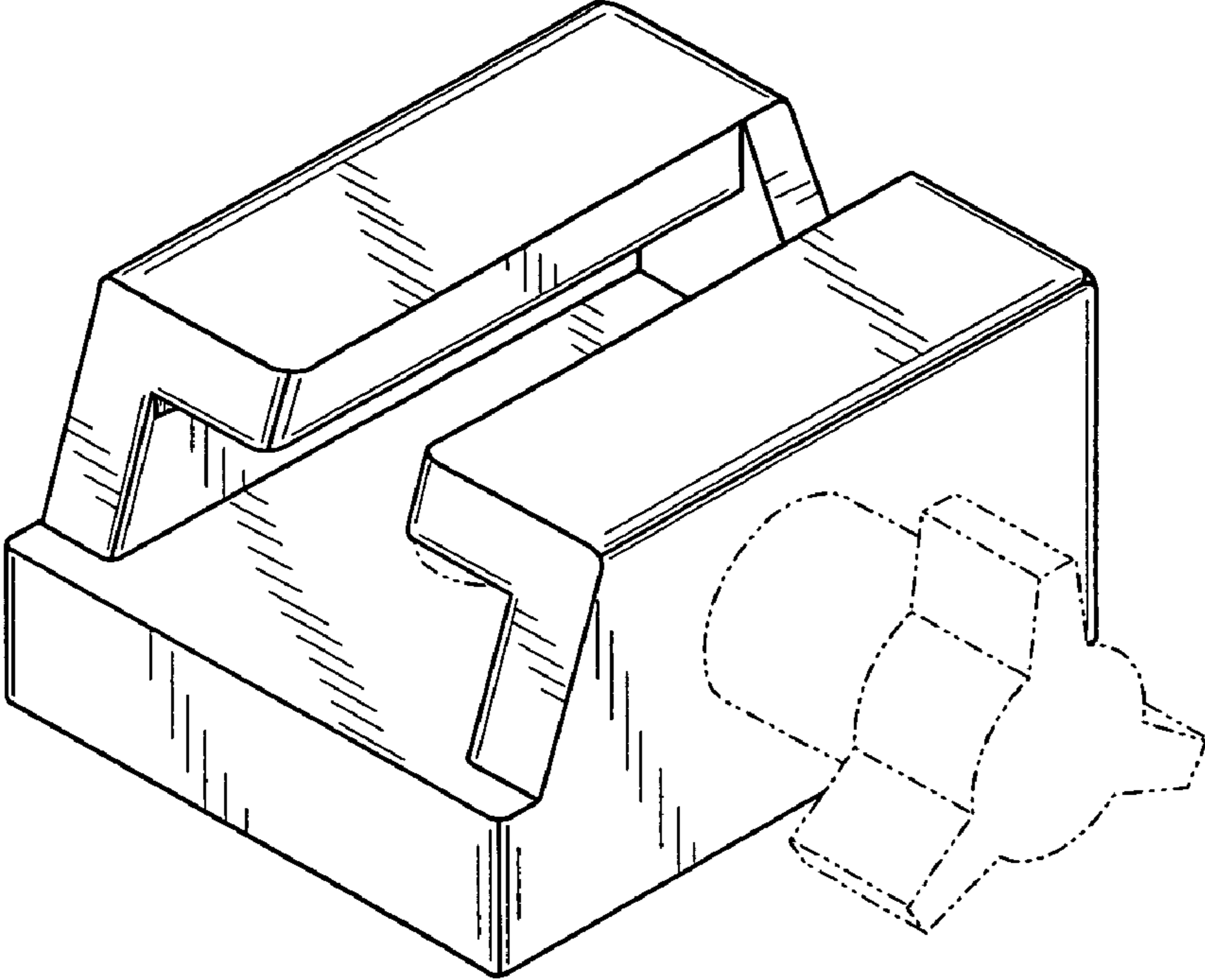
FIG. 6 is a top plan view thereof; and,

FIG. 7 is a bottom plan view thereof.

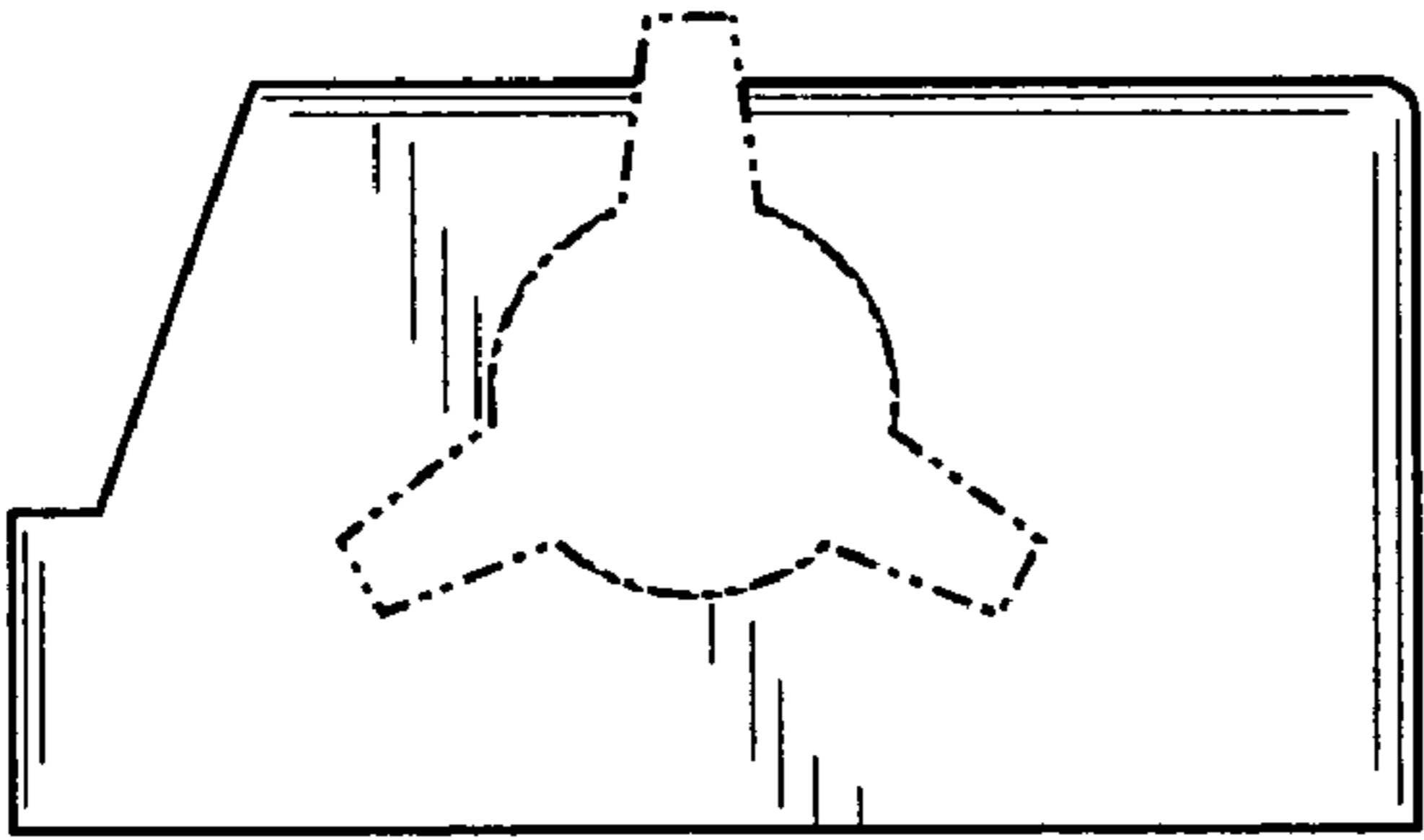
The portions of the article in broken lines are shown for illustrative purposes only and form no part of the claimed design.

**1 Claim, 2 Drawing Sheets**

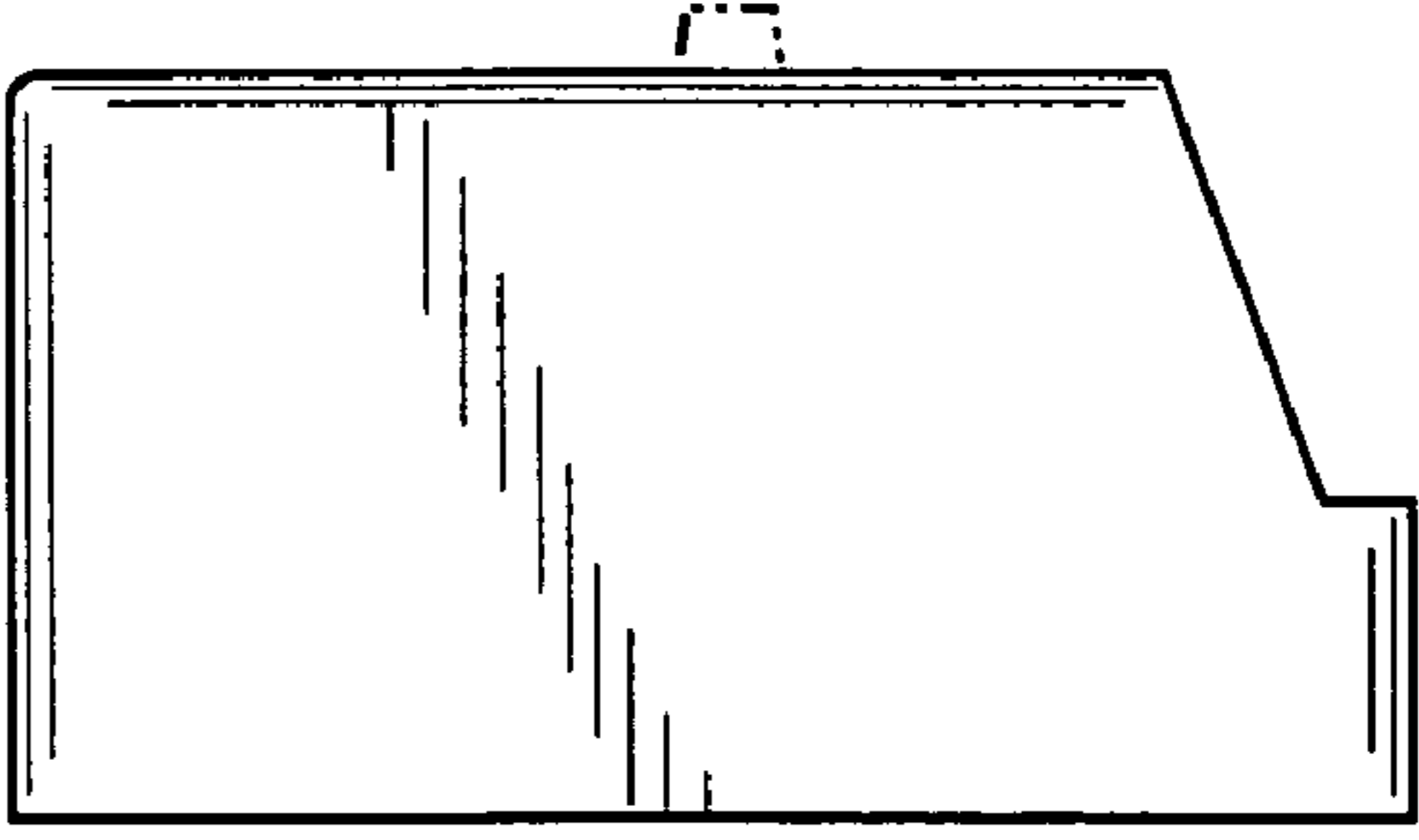




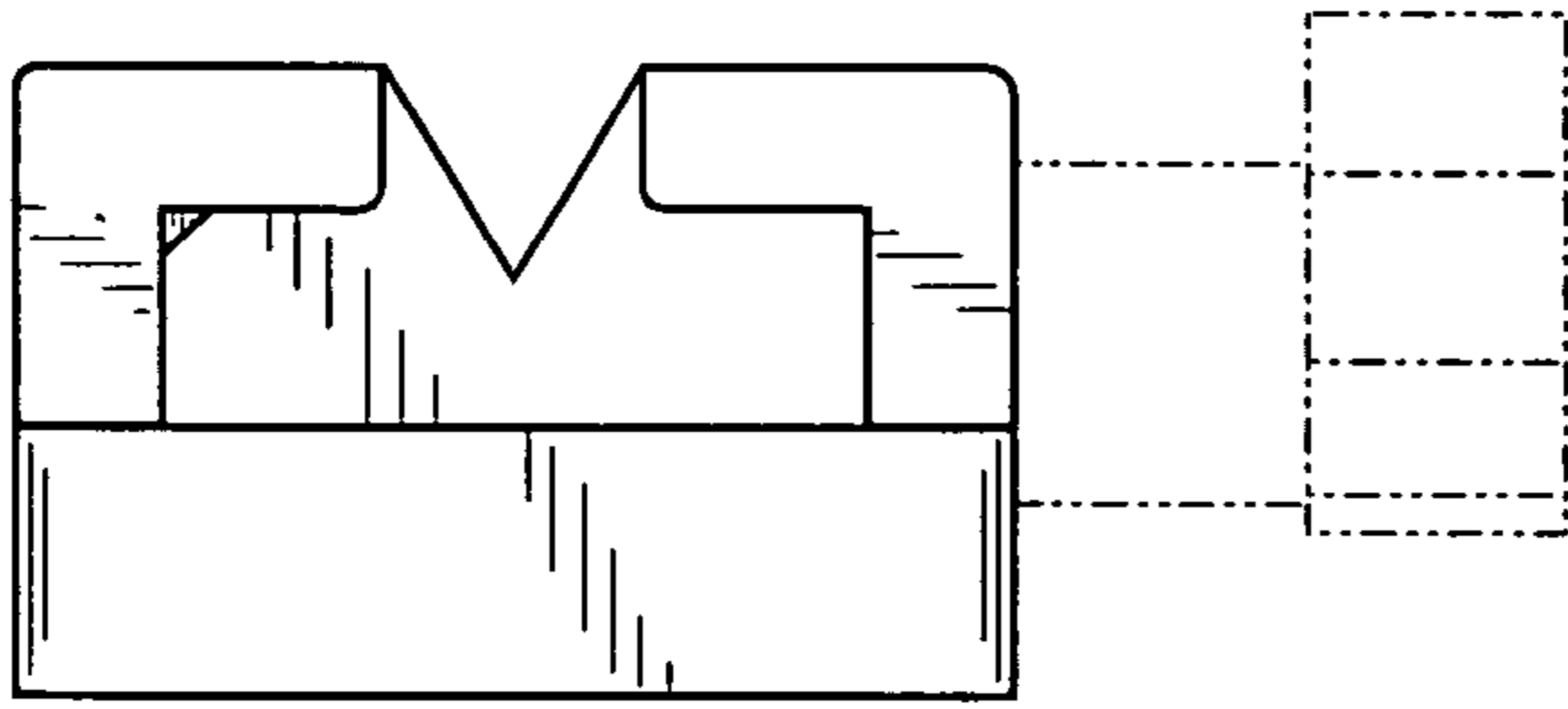
**FIG. 1**



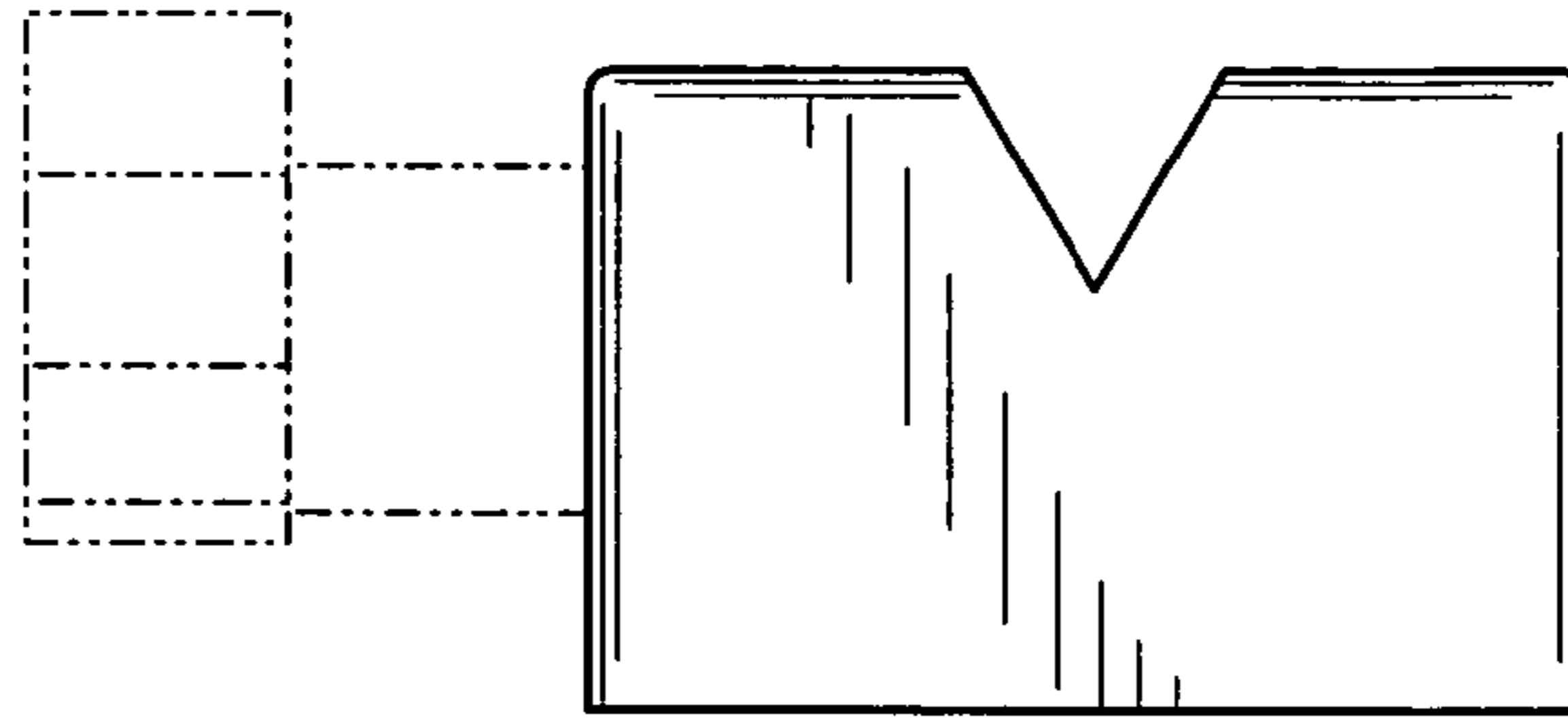
**FIG. 2**



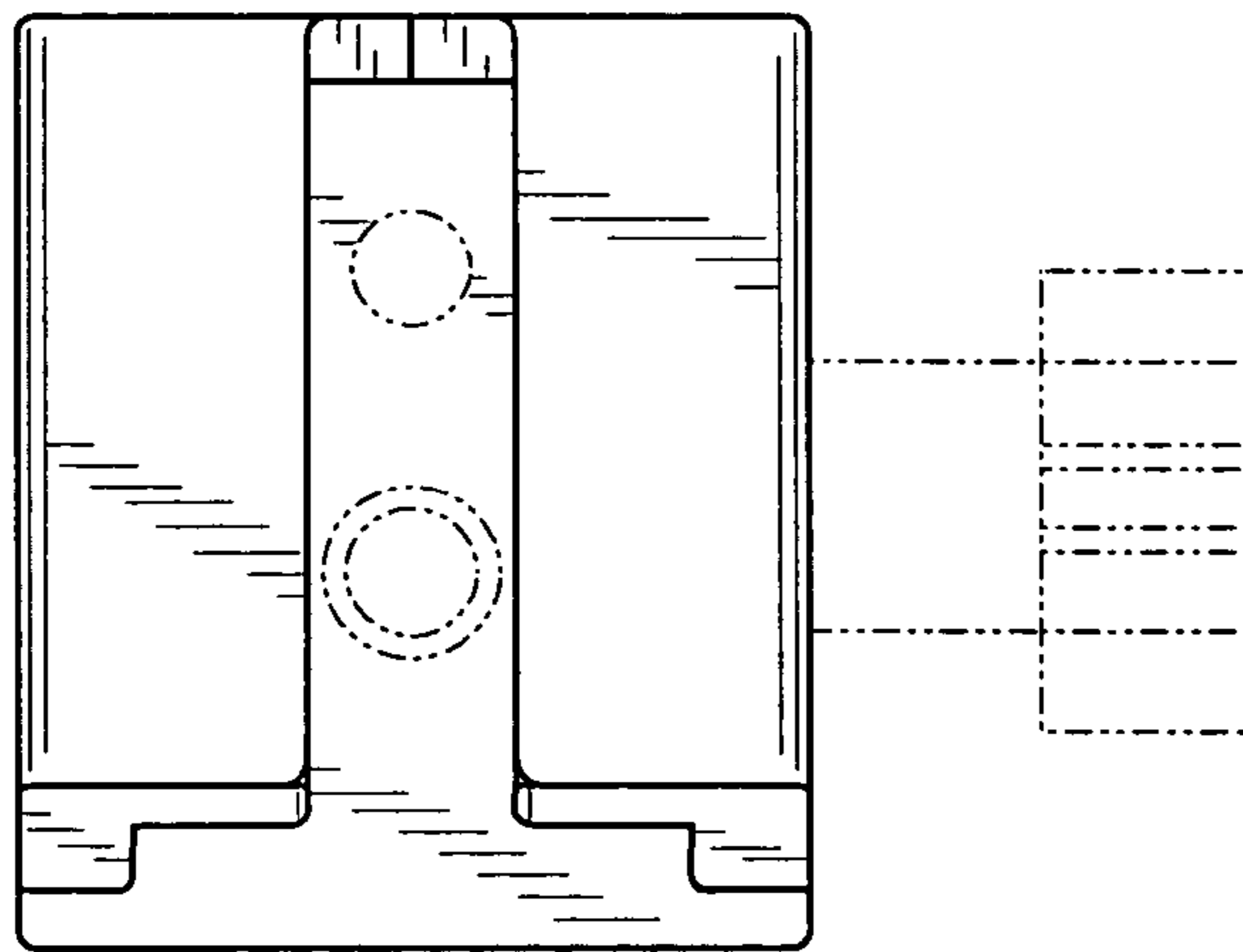
**FIG. 3**



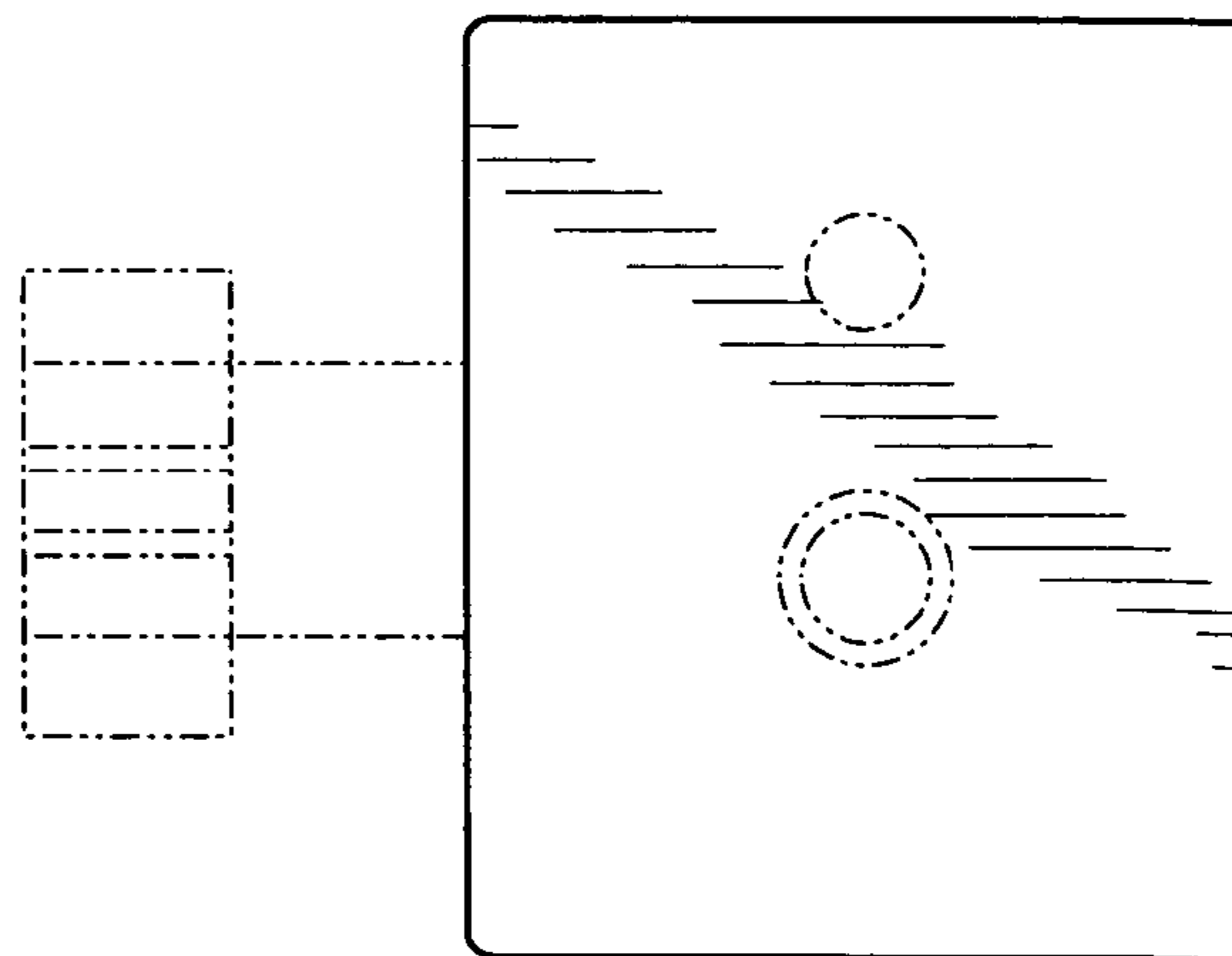
**FIG. 4**



**FIG. 5**



**FIG. 6**



**FIG. 7**