

US00D621435S

(12) **United States Design Patent**  
**Green et al.**

(10) **Patent No.:** **US D621,435 S**  
(45) **Date of Patent:** **\*\* Aug. 10, 2010**

(54) **PORTABLE DIGITAL VIDEO CAMERA**

(75) Inventors: **Jason Green**, Seattle, WA (US); **Marc Barros**, Bellevue, WA (US); **David Thorpe**, Portland, OR (US); **Chunshik Kim**, Portland, OR (US); **Felix Ballerstedt**, Portland, OR (US); **David Randall Knaub**, Portland, OR (US); **Oved Valadez**, Portland, OR (US); **Peter Kettenring**, Reinheim (DE)

(73) Assignee: **Twenty20, Inc.**, Seattle, WA (US)

(\*\*) Term: **14 Years**

(21) Appl. No.: **29/355,173**

(22) Filed: **Feb. 3, 2010**

**Related U.S. Application Data**

(63) Continuation of application No. 29/322,219, filed on Jul. 30, 2008, now Pat. No. Des. 616,006, which is a continuation of application No. PCT/US2008/071661, filed on Jul. 30, 2008.

(51) **LOC (9) Cl.** ..... **16-05**

(52) **U.S. Cl.** ..... **D16/219; D16/202**

(58) **Field of Classification Search** ..... D16/200–205, D16/208, 218, 219; 348/373–376; 358/906; 396/535–541

See application file for complete search history.

(56) **References Cited**

**U.S. PATENT DOCUMENTS**

4,516,157 A	5/1985	Campbell
4,525,045 A	6/1985	Fazekas
5,583,571 A	12/1996	Friedland
D378,095 S	2/1997	Hasegawa
D392,300 S	3/1998	Chow et al.
5,859,666 A	1/1999	Manabe
5,966,176 A	10/1999	Chow et al.
6,028,627 A	2/2000	Helmsderfer
6,091,831 A	7/2000	Cho
D430,888 S	9/2000	Adachi et al.

6,142,437 A	11/2000	Wilkins, Jr.
6,704,044 B1	3/2004	Foster et al.
6,819,354 B1	11/2004	Foster et al.
D506,489 S	6/2005	Owada
D510,374 S	10/2005	Greenwood et al.
D528,576 S *	9/2006	Chung et al. .... D16/203
D547,346 S	7/2007	Ollila
D558,805 S	1/2008	Sadatsuki
D581,959 S	12/2008	Chan

(Continued)

**OTHER PUBLICATIONS**

International Application No. PCT/US2008/71661, filed Jul. 30, 2008.

(Continued)

*Primary Examiner*—Adir Aronovich

(74) *Attorney, Agent, or Firm*—Stoel Rives LLP

(57) **CLAIM**

The ornamental design for a portable digital video camera, as shown and described.

**DESCRIPTION**

FIG. 1 is a left side elevation view of a portable digital video camera, showing our new design;

FIG. 2 is a front elevation view thereof;

FIG. 3 is a rear elevation view thereof;

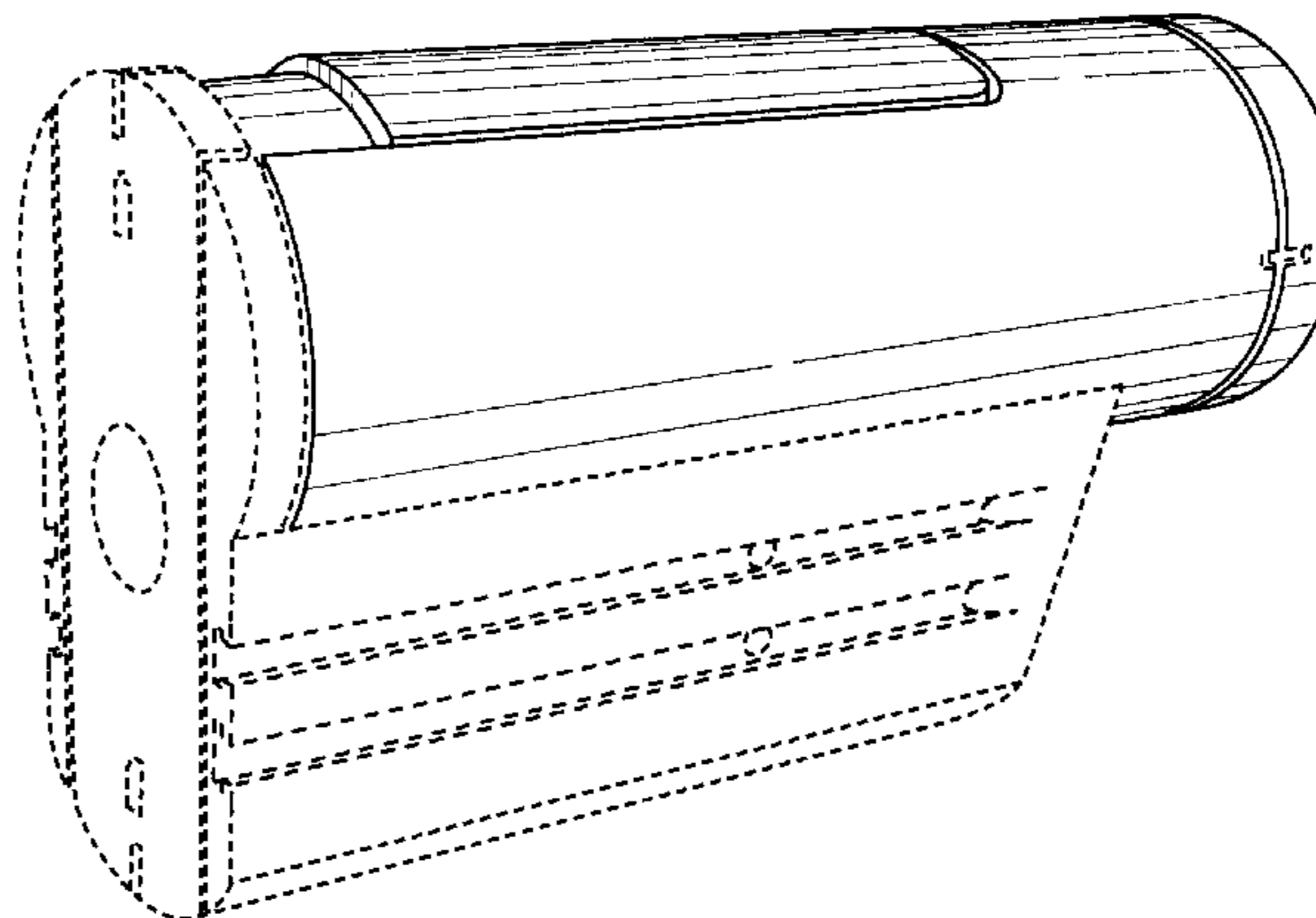
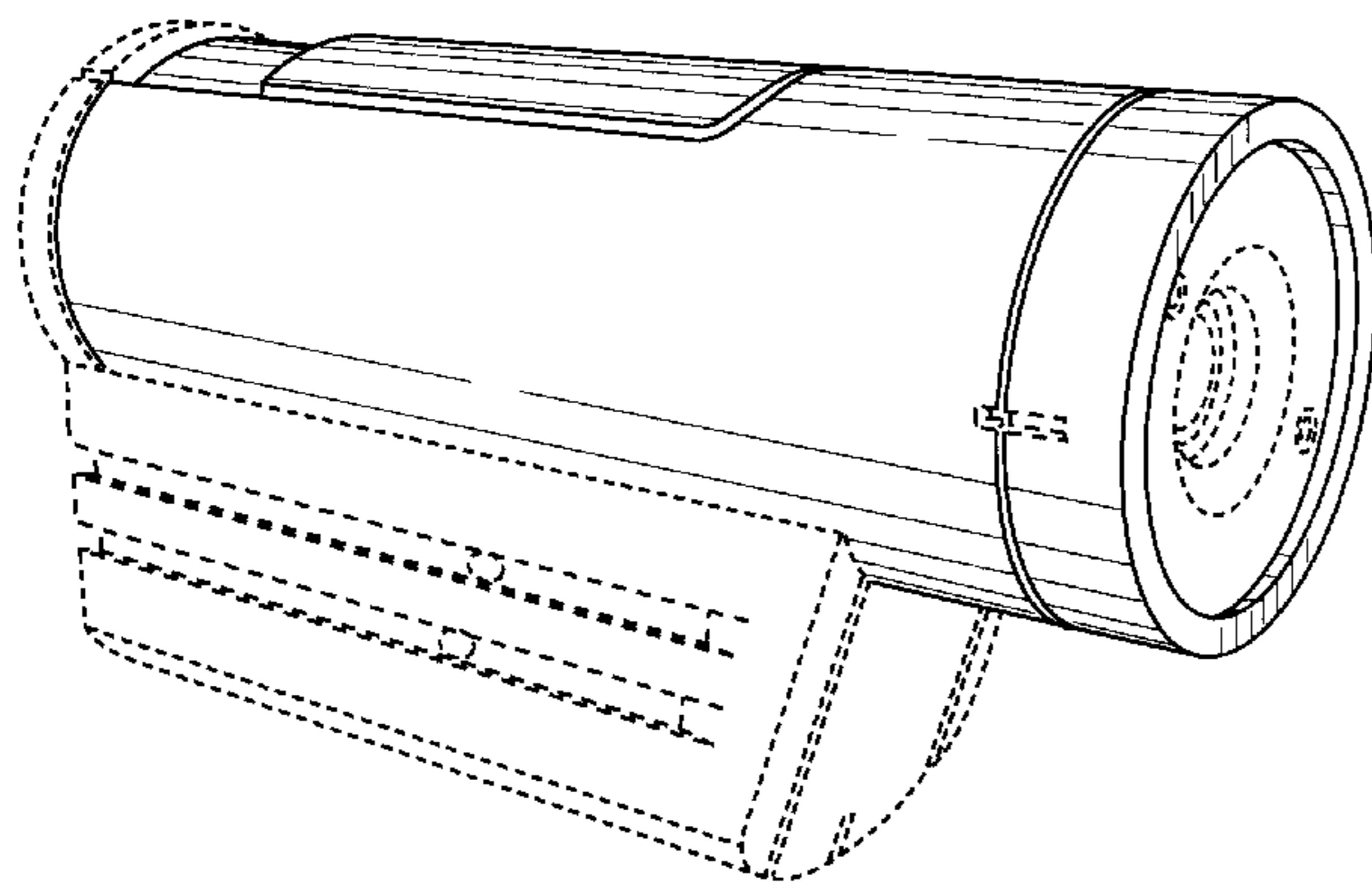
FIG. 4 is a top plan view thereof;

FIG. 5 is a top, front, and left side perspective view of the digital video camera of FIG. 1 with a top-mounted switch in a second position; and,

FIG. 6 is a top, rear, and left side perspective view of the digital video camera of FIG. 1 with the top-mounted switch in the second position.

The broken lines showing in FIGS. 1-6 are for illustrative purposes only and form no part of the claimed design.

**1 Claim, 2 Drawing Sheets**



# US D621,435 S

Page 2

---

## U.S. PATENT DOCUMENTS

D586,836 S \* 2/2009 Liow et al. .... D16/203  
7,522,834 B2 4/2009 Heaven et al.  
D592,231 S 5/2009 Schnell  
D610,186 S \* 2/2010 Jannard et al. .... D16/219  
D614,221 S \* 4/2010 Park ..... D16/203  
2004/0004825 A1 1/2004 Malard et al.  
2005/0200750 A1 9/2005 Ollila  
2006/0055786 A1 3/2006 Ollila

2007/0111754 A1 5/2007 Marshall et al.

## OTHER PUBLICATIONS

Nov. 2, 2009 world wide web ("[http://www.helmkameras24.de/Oregon-Scientific-ATC-9000\\_c25\\_...](http://www.helmkameras24.de/Oregon-Scientific-ATC-9000_c25_...)") 2-page printout concerning new item Oregon Scientific ATC 9000.

Nov. 2, 2009 world wide web ("<http://www.actioncameras.co.uk/X170>") 4-page printout concerning X170 Action Camera and its mounts.

\* cited by examiner

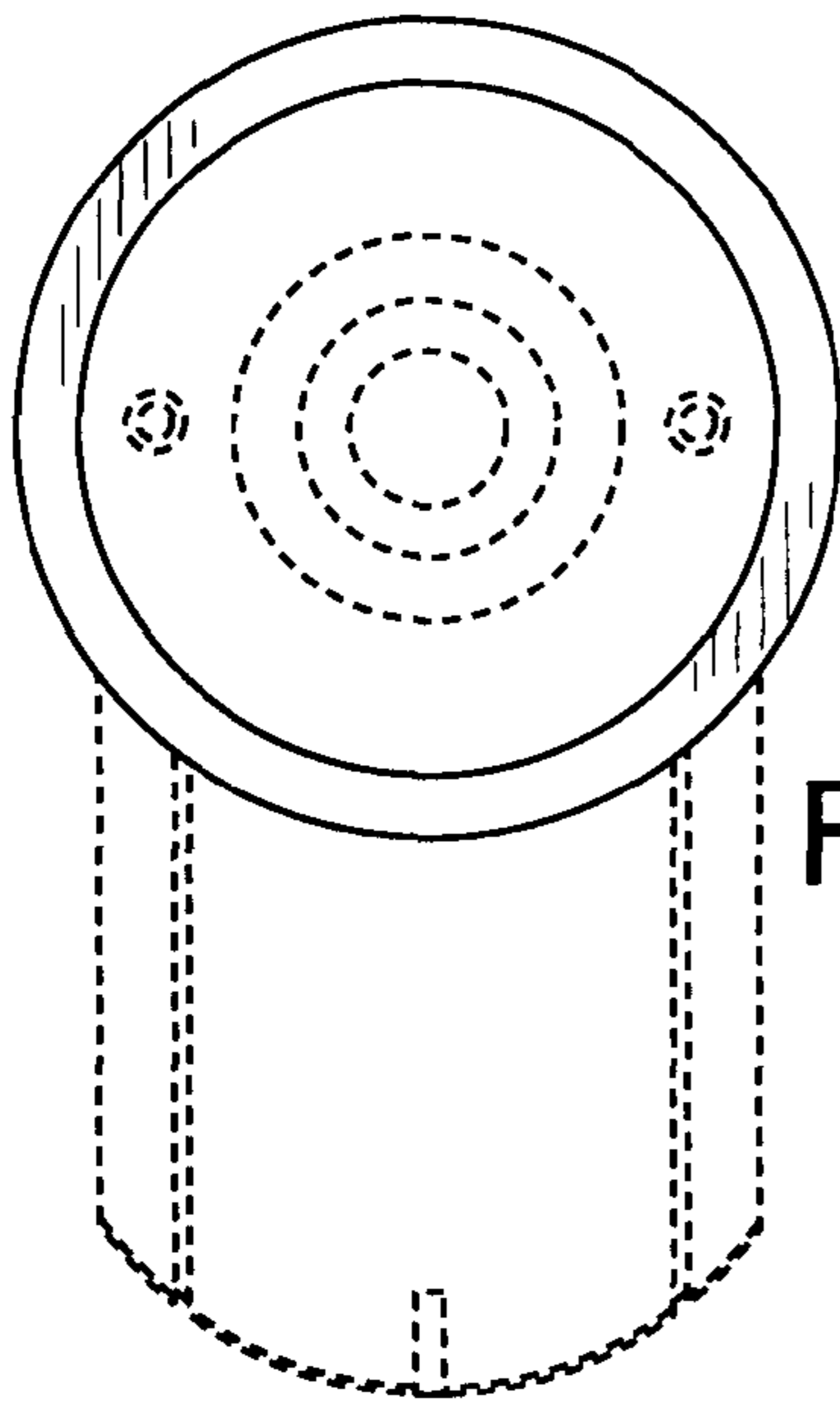
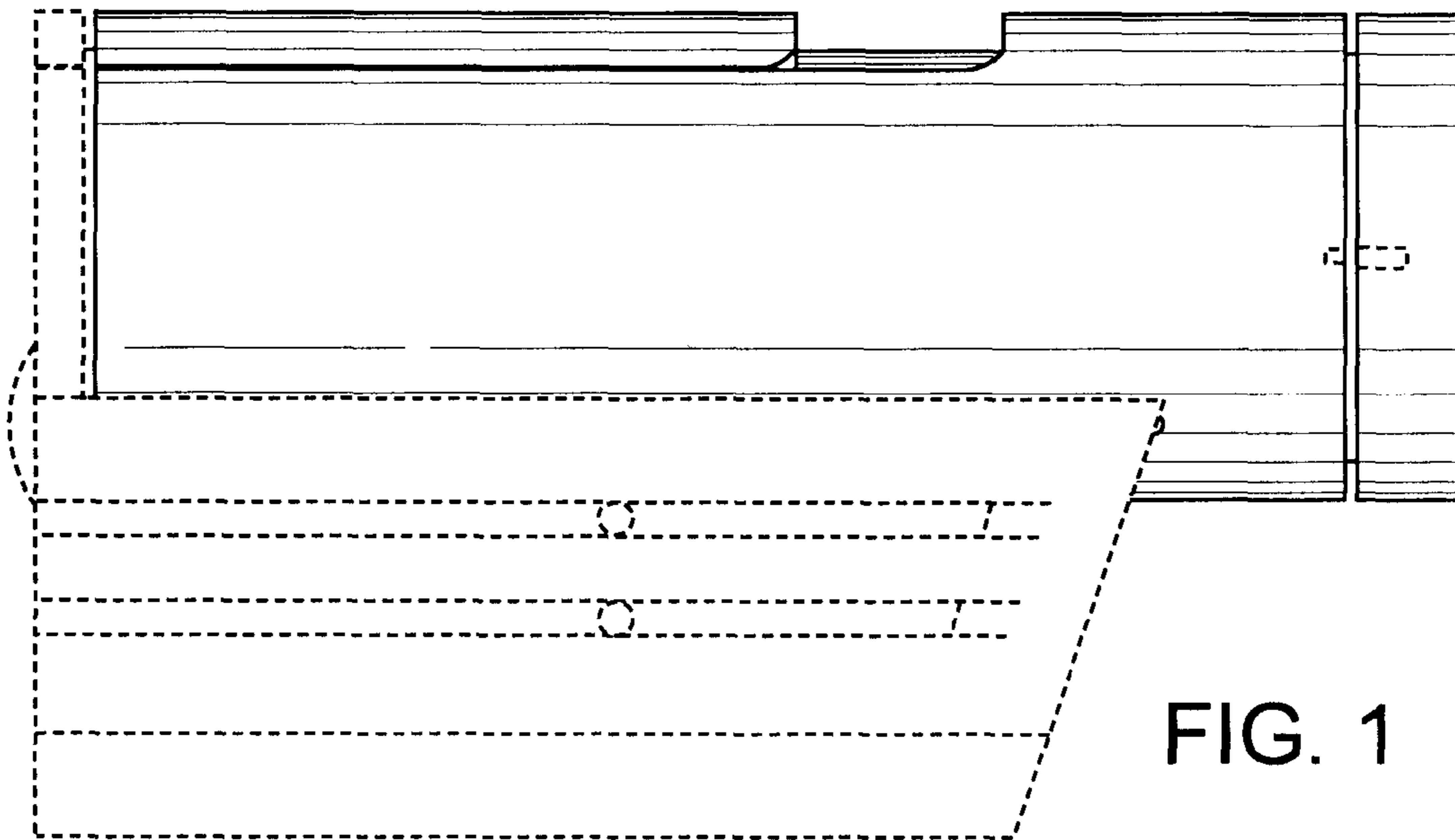
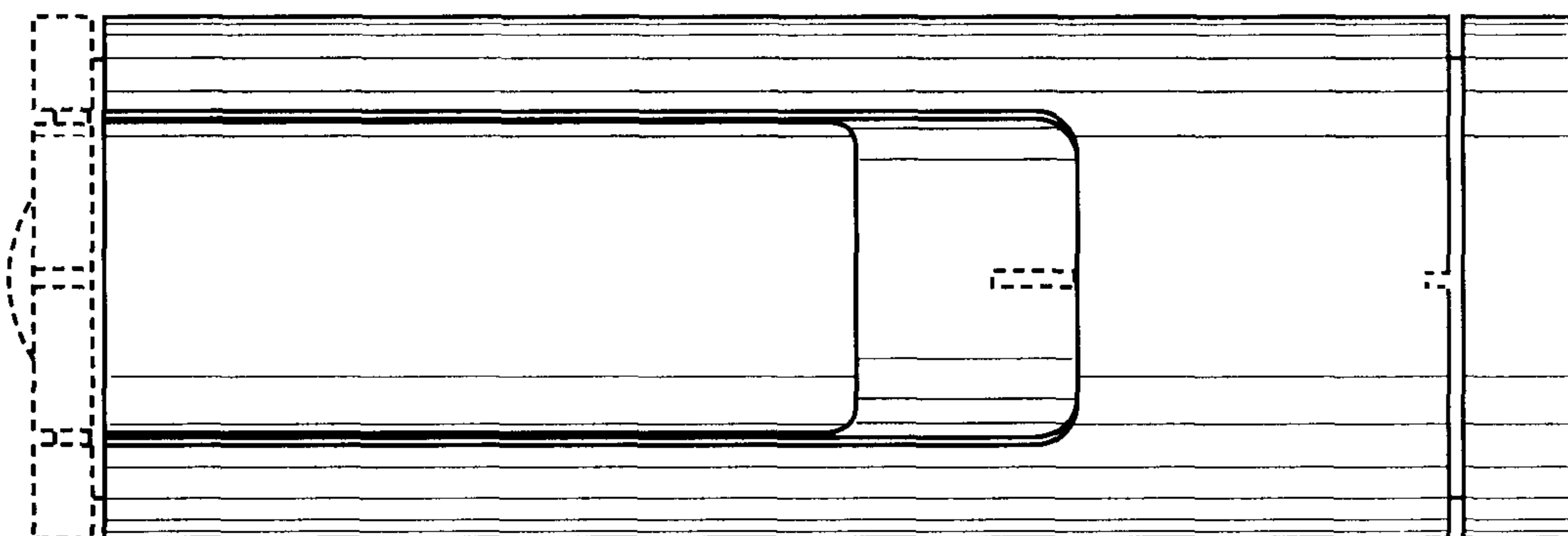
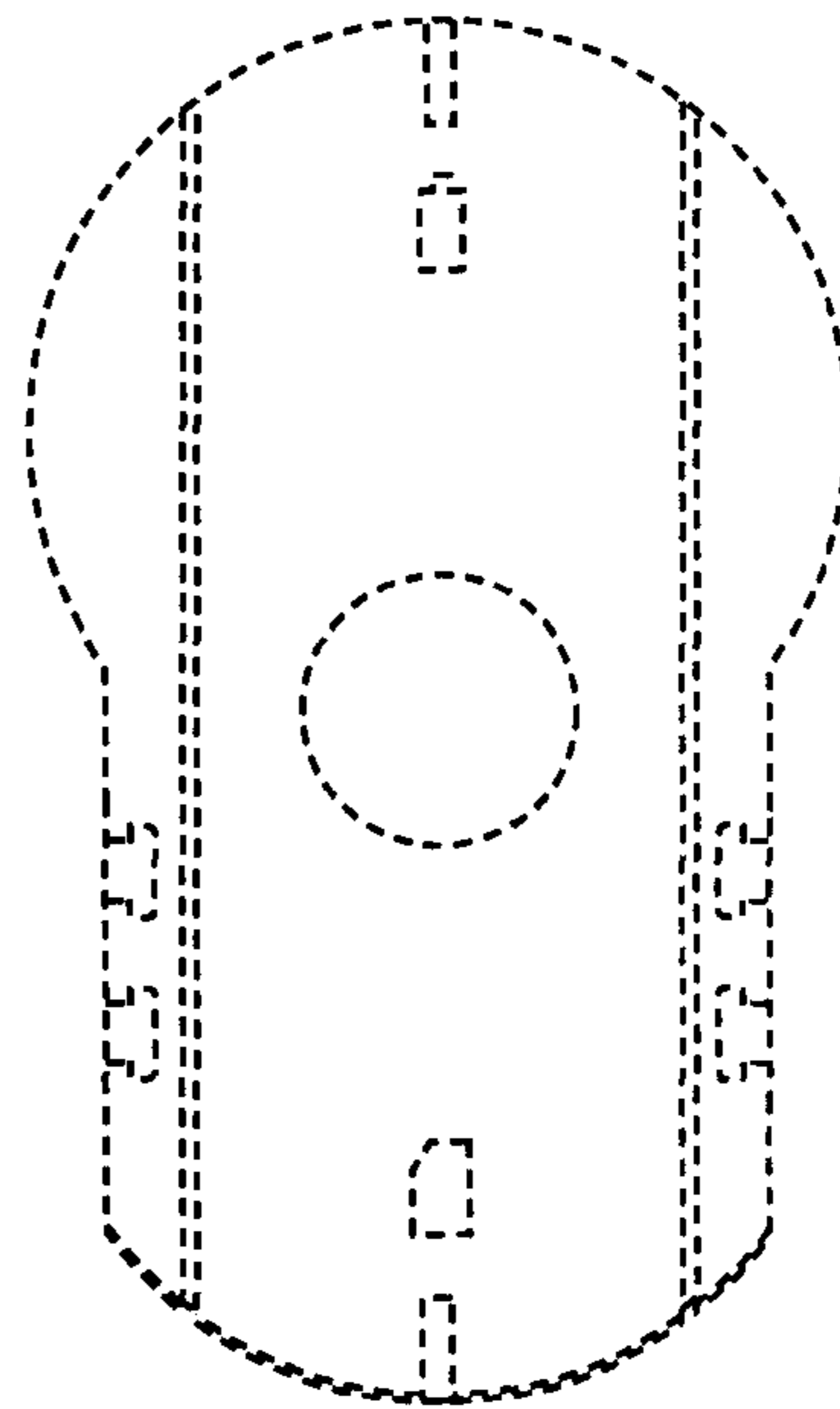


FIG. 2

FIG. 3

FIG. 4



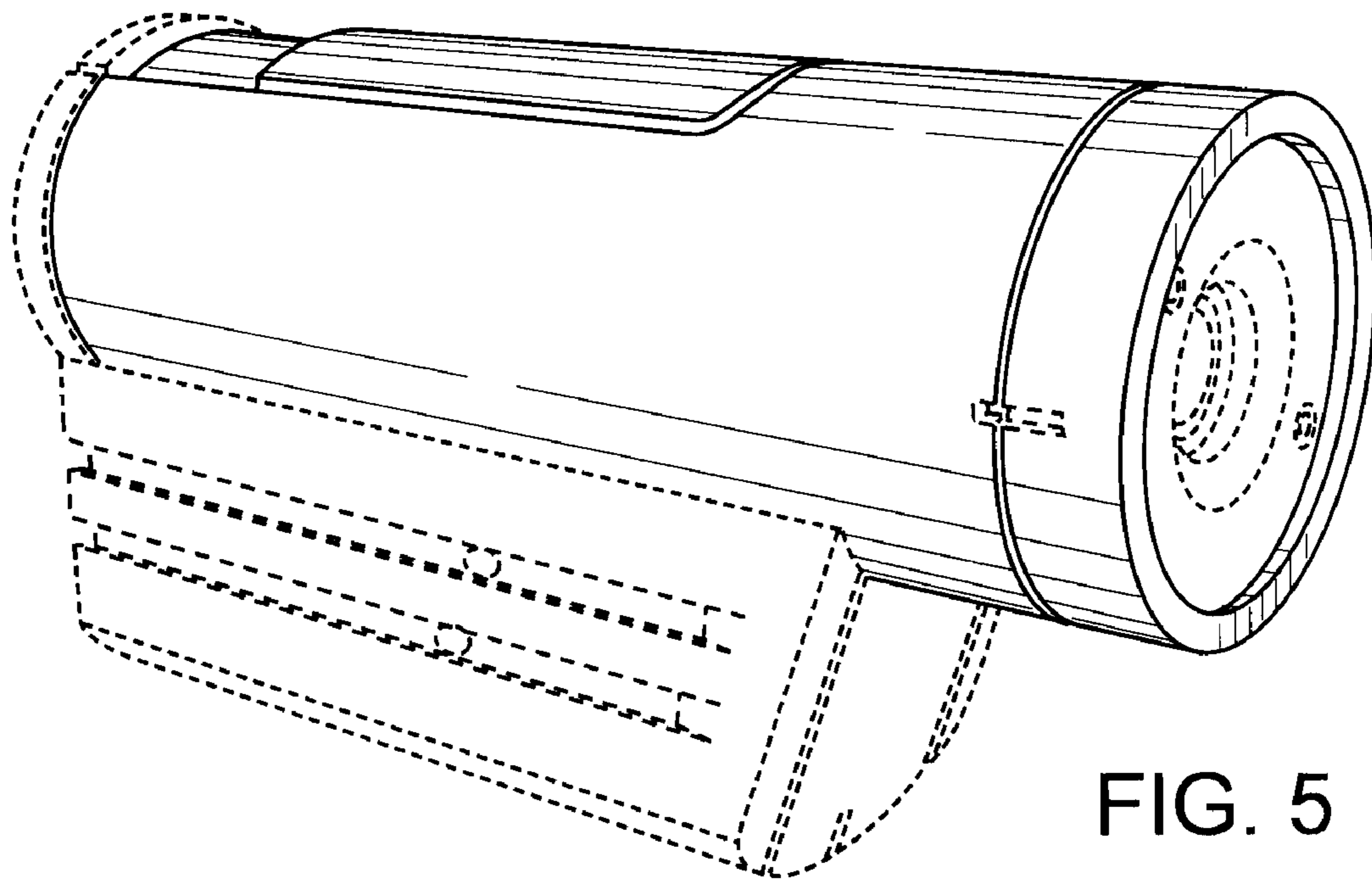


FIG. 5

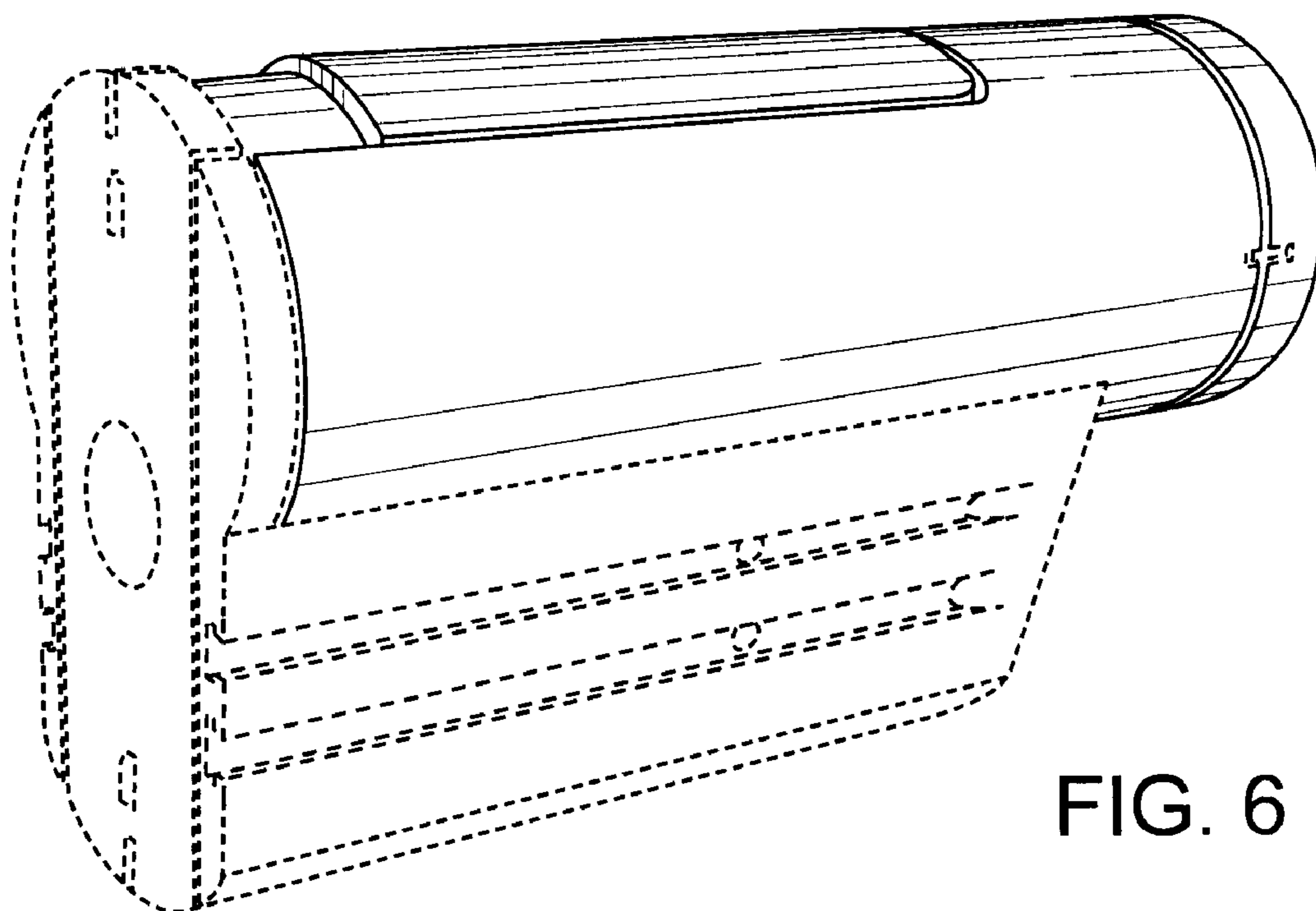


FIG. 6