



US00D621434S

(12) **United States Design Patent**
Sheppard et al.

(10) **Patent No.:** **US D621,434 S**

(45) **Date of Patent:** **** Aug. 10, 2010**

(54) **DIGITAL VIDEO CAMERA WITH BUILT-IN CONNECTOR AND DISPLAY SCREEN**

(75) Inventors: **Nasahn Adam Sheppard**, Mill Valley, CA (US); **Maarten Dinger**, San Francisco, CA (US); **Allan Freas Velzy**, San Francisco, CA (US); **Peter Michaelian**, Tappan, NY (US); **Jaewon Samuel Kang**, Santa Clara, CA (US); **Lionel Jingles**, San Francisco, CA (US); **John Furlan**, Belmont, CA (US); **Greg Allen Cummings**, San Francisco, CA (US)

(73) Assignee: **Cisco Technology, Inc.**, San Jose, CA (US)

(**) Term: **14 Years**

(21) Appl. No.: **29/354,577**

(22) Filed: **Jan. 26, 2010**

Related U.S. Application Data

(63) Continuation of application No. 29/328,155, filed on Nov. 19, 2008, now Pat. No. Des. 610,600, which is a continuation of application No. 29/304,515, filed on Mar. 3, 2008, now Pat. No. Des. 591,321.

(51) **LOC (9) Cl.** **16-05**

(52) **U.S. Cl.** **D16/219**

(58) **Field of Classification Search** D13/133, D13/147; D14/356; D16/200–204, 208, D16/218, 219; 348/373–376; 396/535, 540, 396/541

See application file for complete search history.

(56) **References Cited**

U.S. PATENT DOCUMENTS

- 6,979,210 B2 12/2005 Regen et al.
- 7,025,275 B2 * 4/2006 Huang et al. 235/486
- 7,070,425 B2 7/2006 Regen et al.
- 7,090,515 B2 8/2006 Regen et al.

- D527,754 S * 9/2006 Chou D16/202
- D552,141 S * 10/2007 Kaplan et al. D16/202
- 7,462,044 B1 12/2008 Regen et al.
- 7,566,231 B2 7/2009 Regen et al.
- D607,914 S * 1/2010 Kaplan et al. D16/219
- D608,813 S * 1/2010 Hong et al. D16/218
- 2009/0109329 A1 * 4/2009 Cummings et al. 348/374

* cited by examiner

Primary Examiner—Adir Aronovich

(74) *Attorney, Agent, or Firm*—Patterson & Sheridan, LLP

(57) **CLAIM**

The ornamental design for a digital video camera with a built-in connector and a display screen, as shown and described.

DESCRIPTION

FIG. 1 is a front perspective view of a digital video camera with a built-in connector and a display screen showing our new design.

FIG. 2 is a rear perspective view thereof.

FIG. 3 is a front perspective view thereof, with the connector being in an extended position.

FIG. 4 is a rear perspective view thereof, with the connector being in an extended position.

FIG. 5 is a right side elevational view thereof, with the connector being in an extended position.

FIG. 6 is a left side elevational view thereof, with the connector being in an extended position.

FIG. 7 is a top plan view thereof.

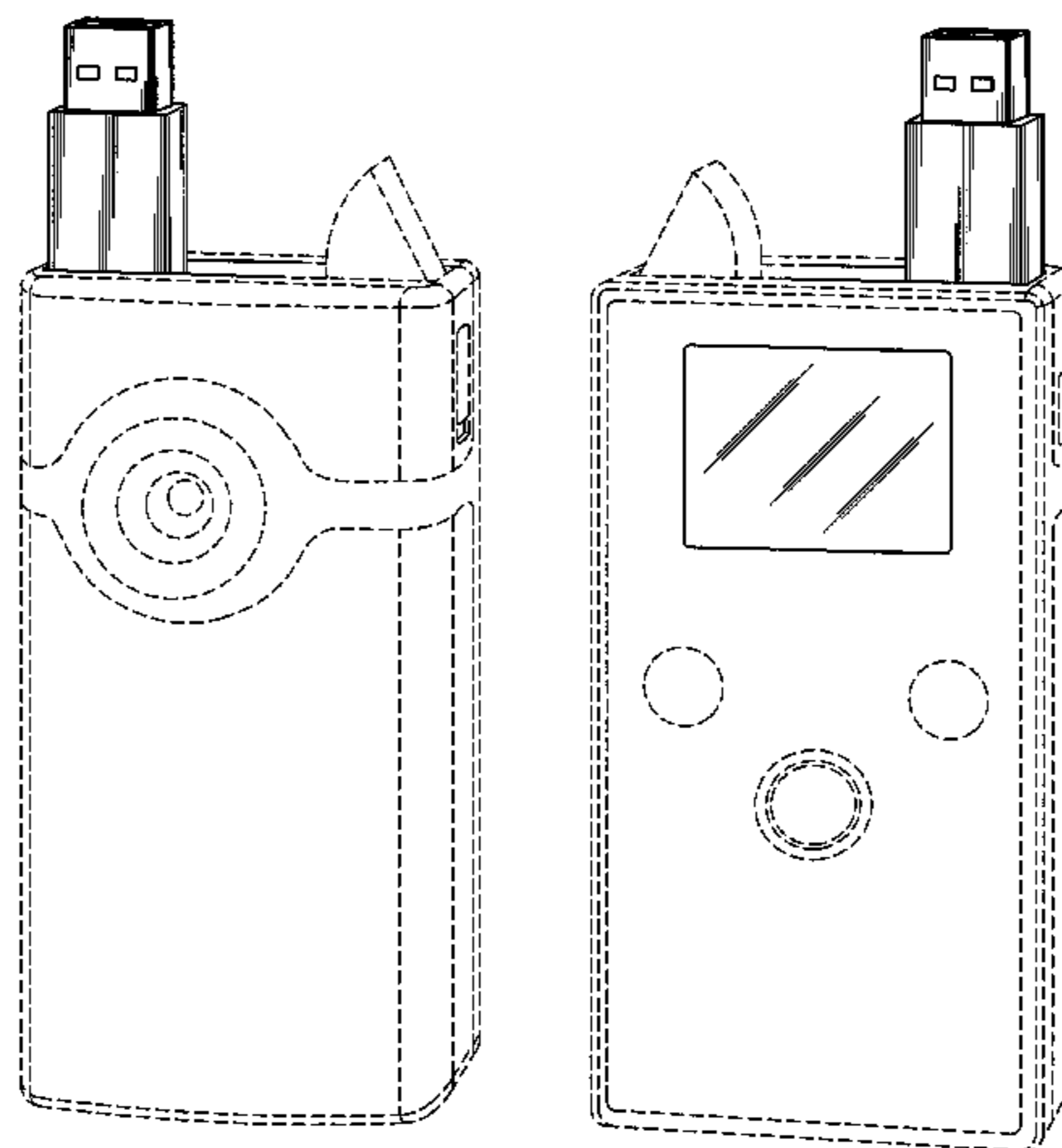
FIG. 8 is a top plan view thereof, with the connector being in an extended position.

FIG. 9 is a front elevational view thereof, with the connector being in an extended position; and,

FIG. 10 is a rear elevational view thereof, with the connector being in an extended position.

The broken line portions in all views are shown to illustrate environment only and form no part of the claimed design.

1 Claim, 8 Drawing Sheets



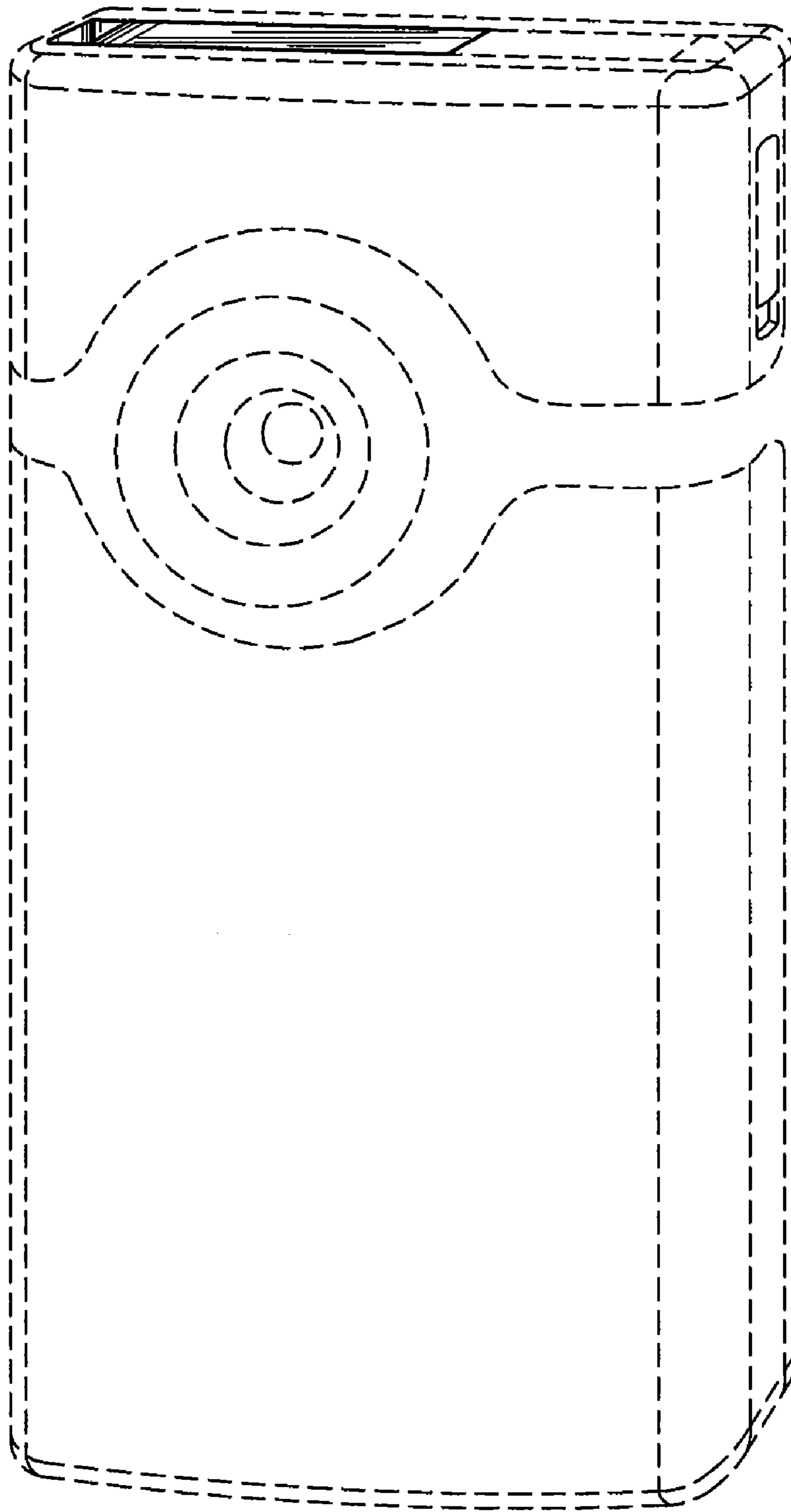


FIG. 1

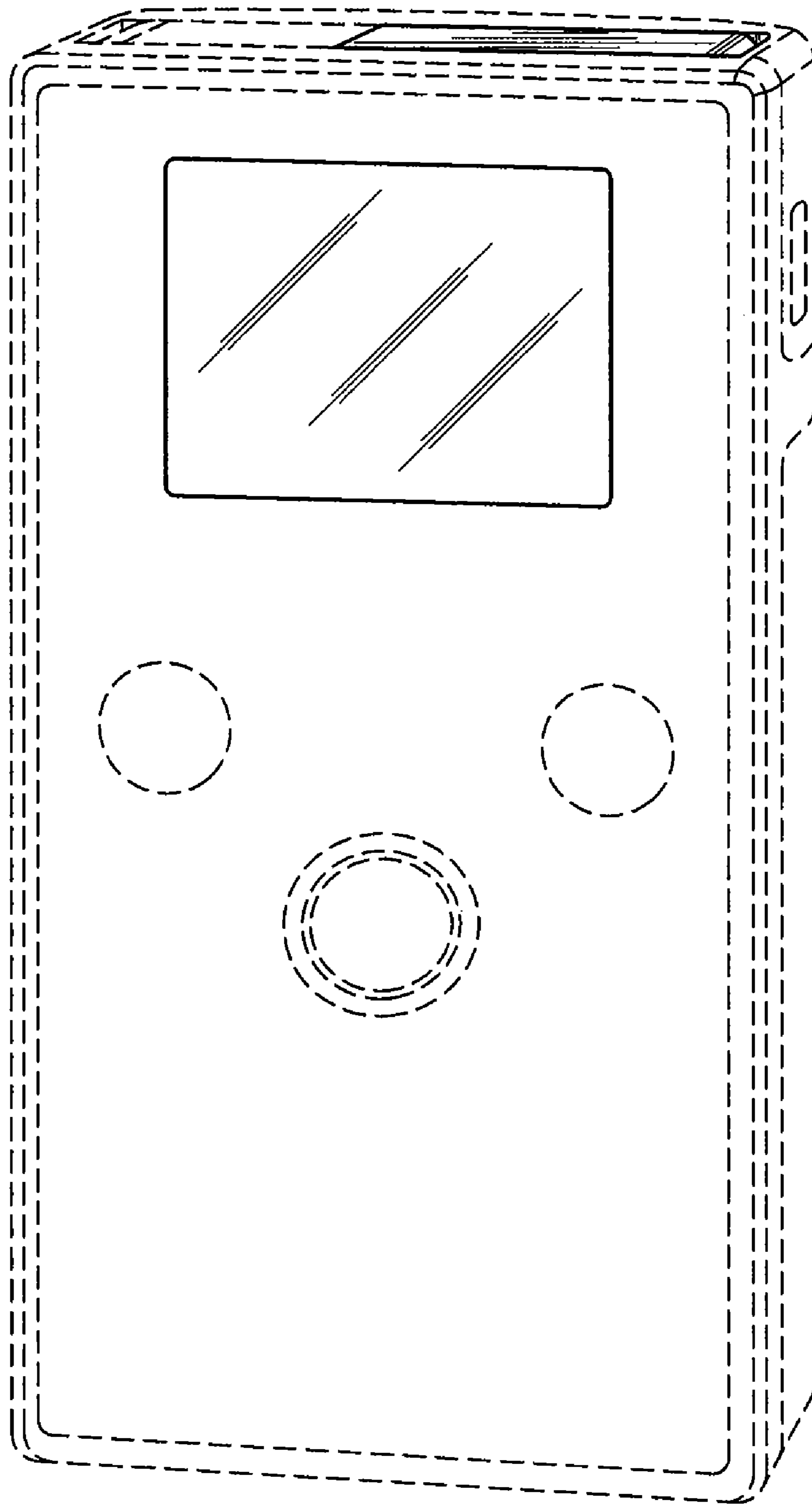


FIG. 2

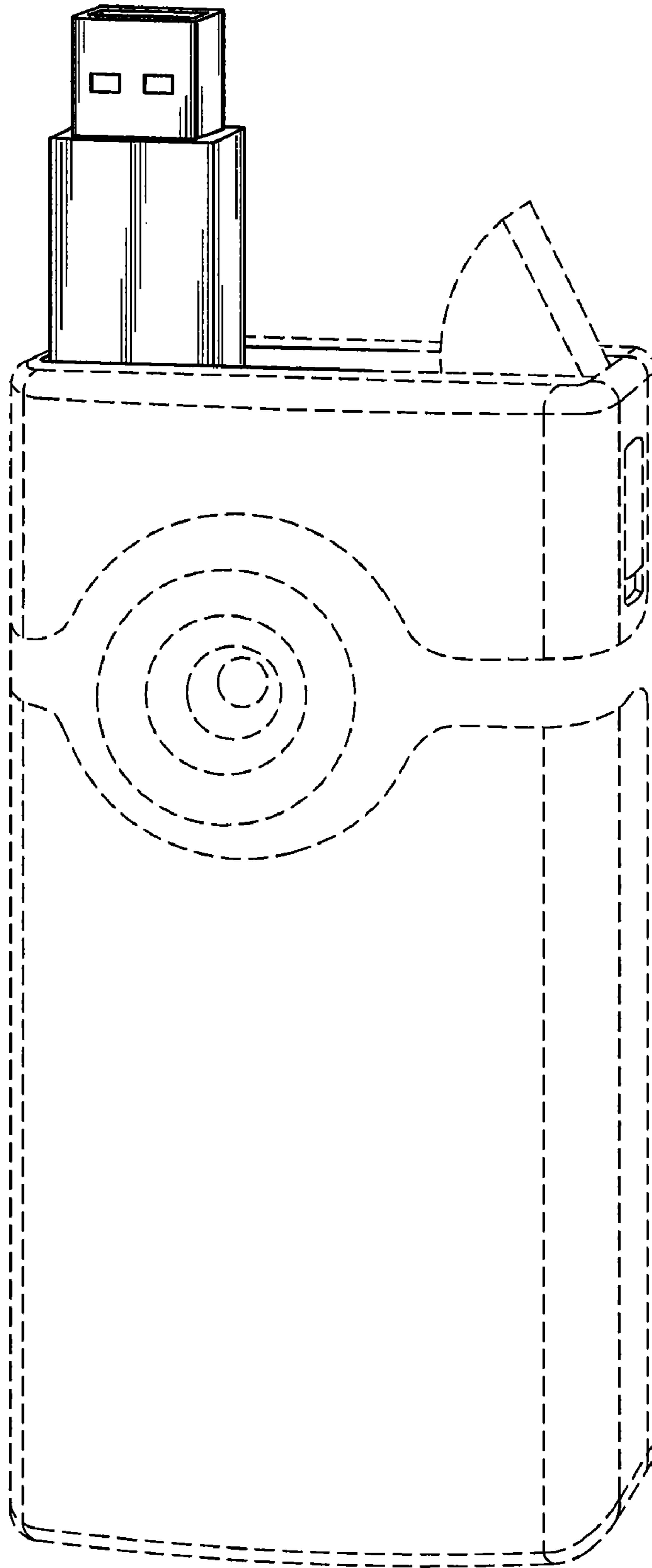


FIG. 3

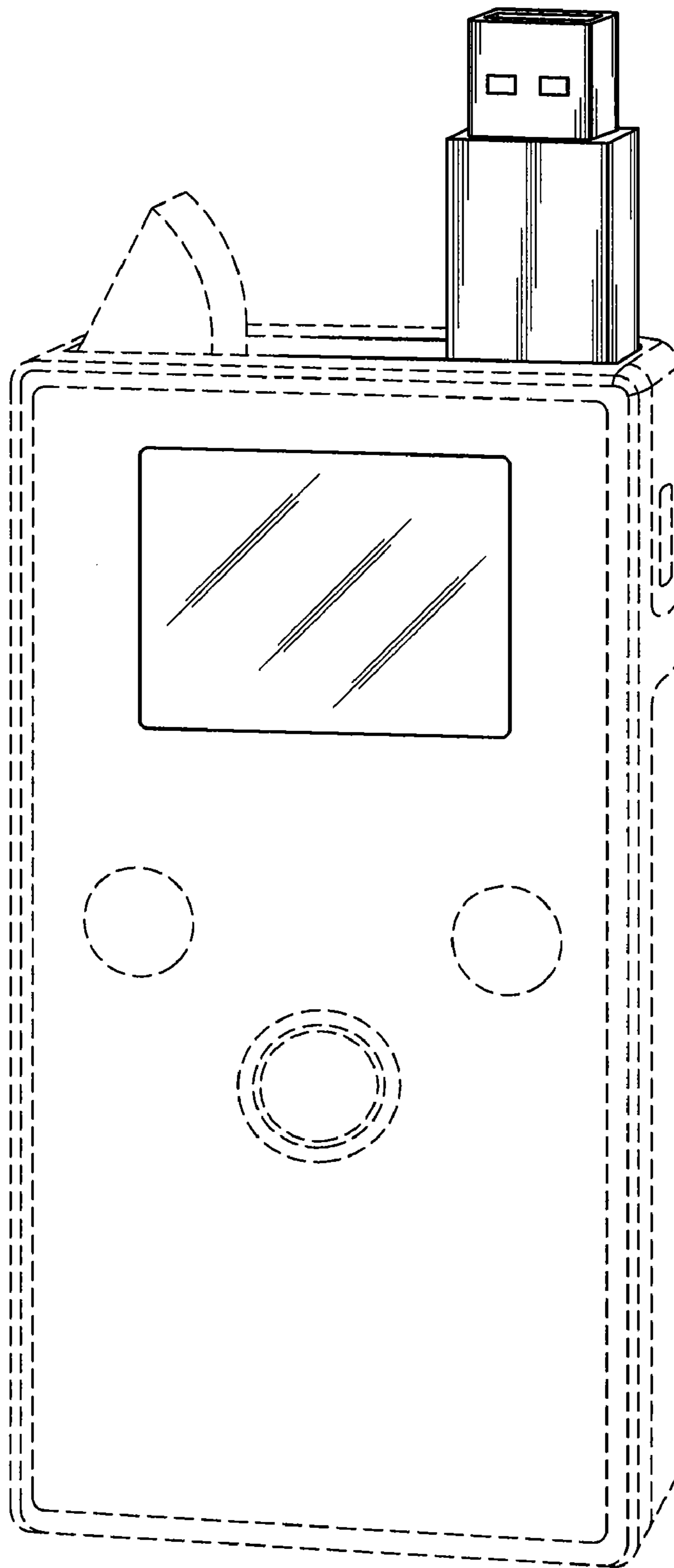


FIG. 4

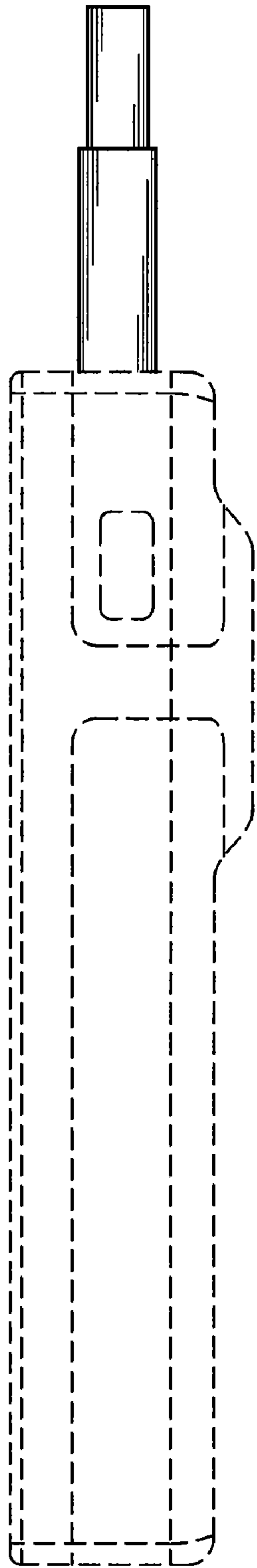


FIG. 5

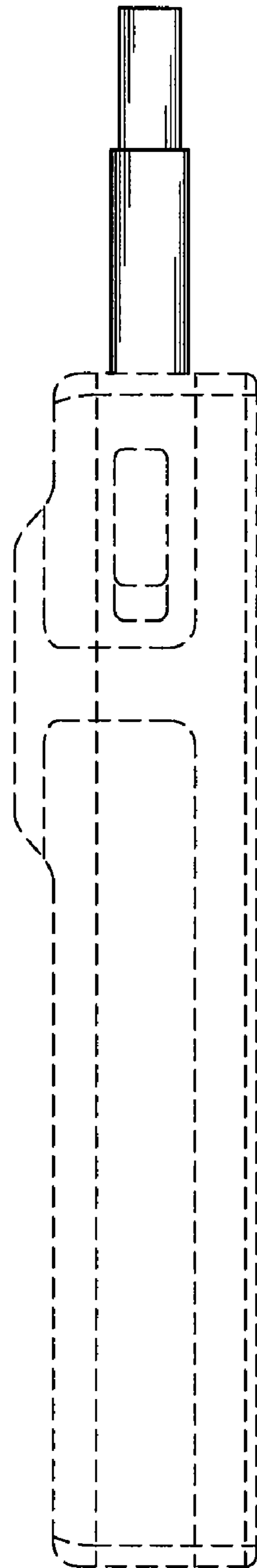


FIG. 6

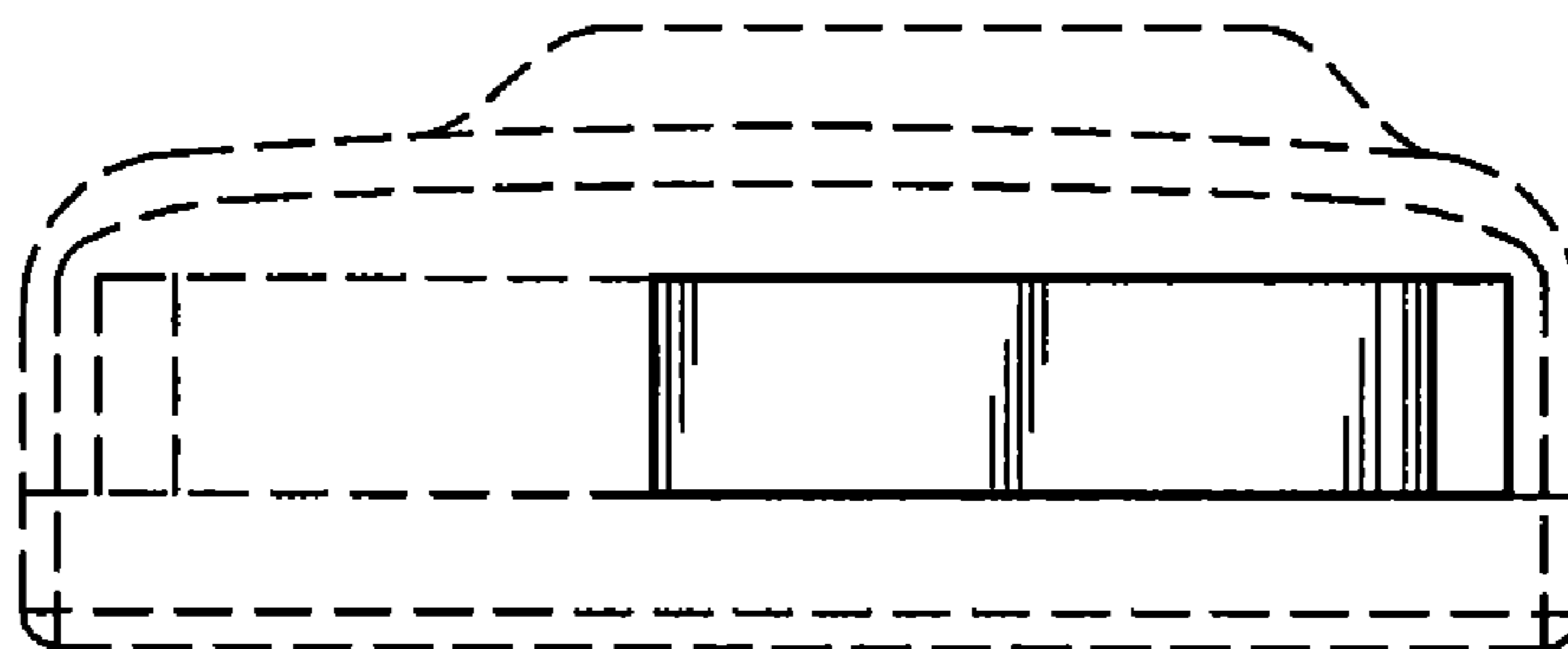


FIG. 7

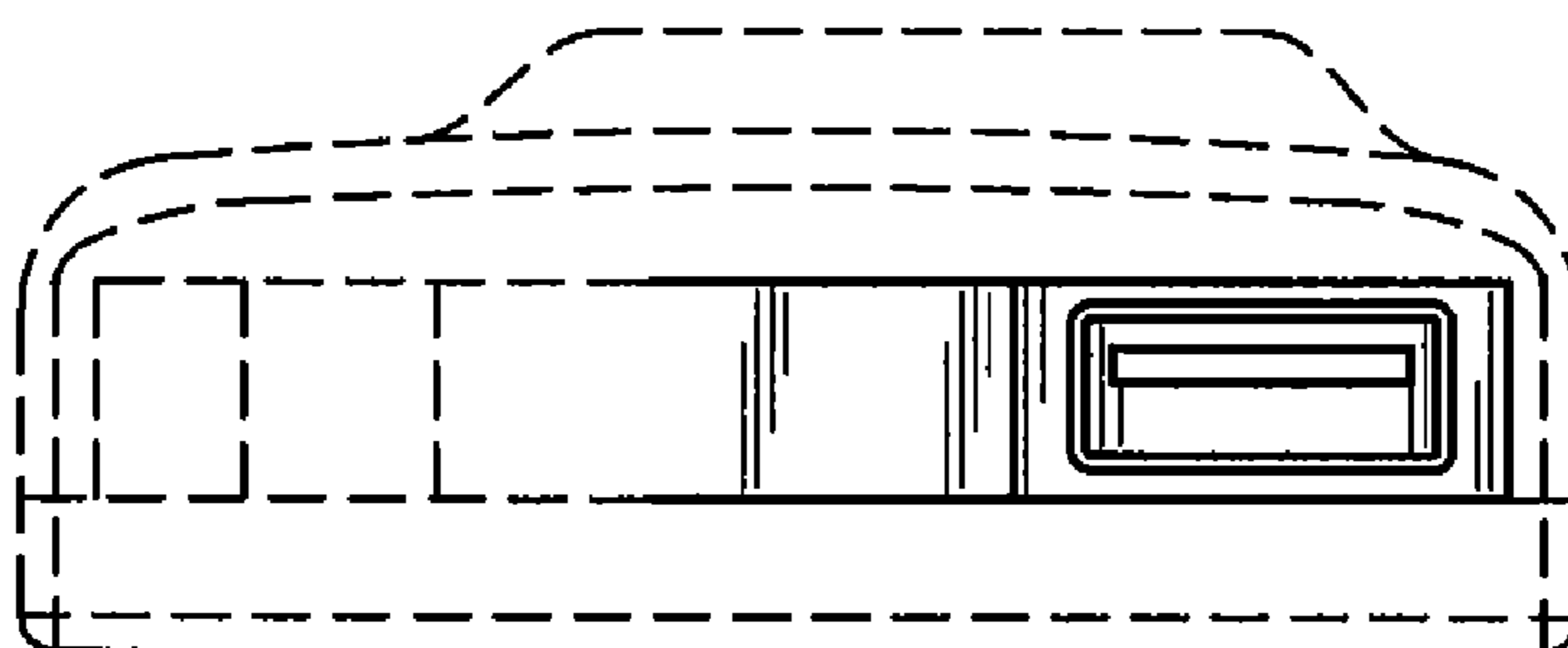


FIG. 8

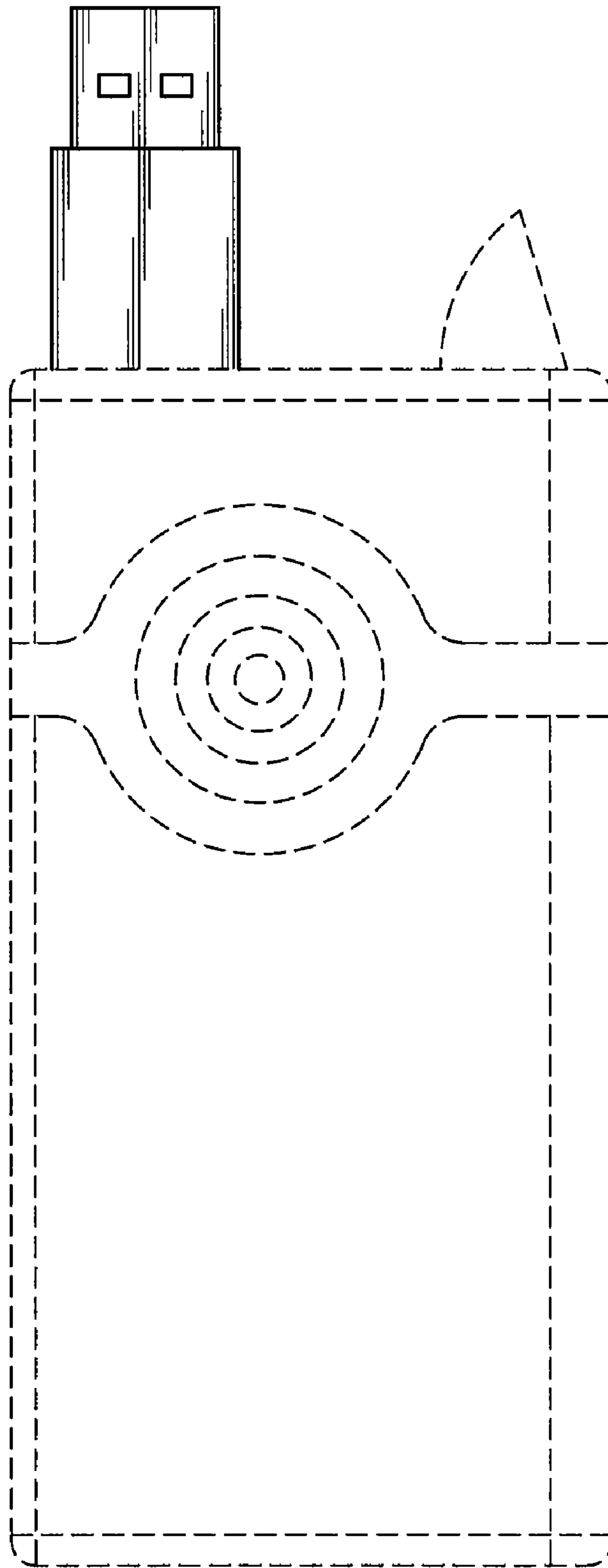


FIG.9

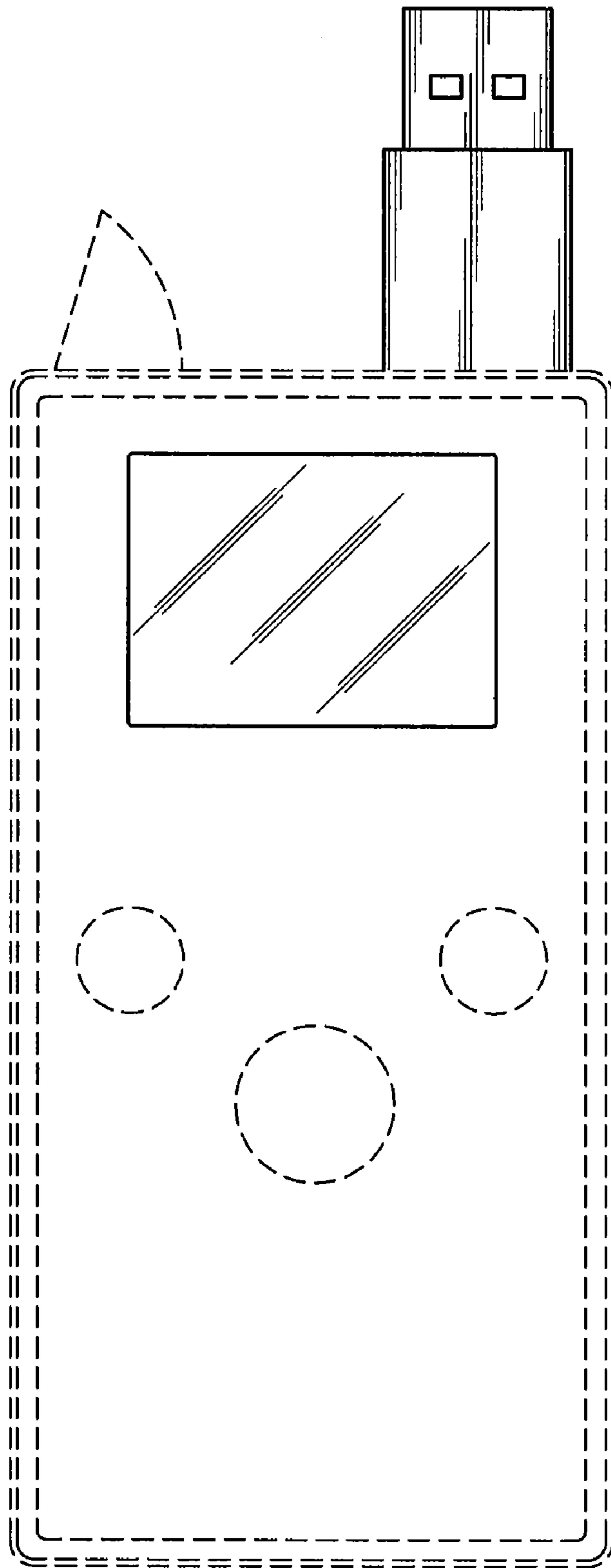


FIG. 10