



US00D621432S

(12) **United States Design Patent**
Yim

(10) **Patent No.:** **US D621,432 S**
(45) **Date of Patent:** **** Aug. 10, 2010**

(54) **CONFIGURABLE WATERPROOF CAMERA CASE**

(75) Inventor: **Wai Lam William Yim**, Hong Kong (HK)

(73) Assignee: **Sanwa Technologies Limited**, Hong Kong (HK)

(**) Term: **14 Years**

(21) Appl. No.: **29/342,046**

(22) Filed: **Aug. 18, 2009**

(51) **LOC (9) Cl.** **16-01**

(52) **U.S. Cl.** **D16/204**

(58) **Field of Classification Search** D3/267;
D16/200-204, 208, 218; 206/316.1, 316.2;
396/25-29, 535-541

See application file for complete search history.

(56) **References Cited**

U.S. PATENT DOCUMENTS

D367,283 S * 2/1996 Lyon et al. D16/208
D419,296 S * 1/2000 Shinano D16/204

D453,177 S * 1/2002 Uehara D16/204
D537,858 S * 3/2007 Griffin et al. D16/204
7,194,202 B2 * 3/2007 Funahashi et al. 396/27
7,352,961 B2 * 4/2008 Watanabe et al. 396/27
7,653,292 B2 * 1/2010 Yamaguchi et al. 396/28

* cited by examiner

Primary Examiner—Adir Aronovich

(57) **CLAIM**

The ornamental design for a configurable waterproof camera case, as shown.

DESCRIPTION

FIG. 1 is a front elevational view of a configurable waterproof camera case showing my new design;

FIG. 2 is a rear elevational view thereof;

FIG. 3 is a top plan view thereof;

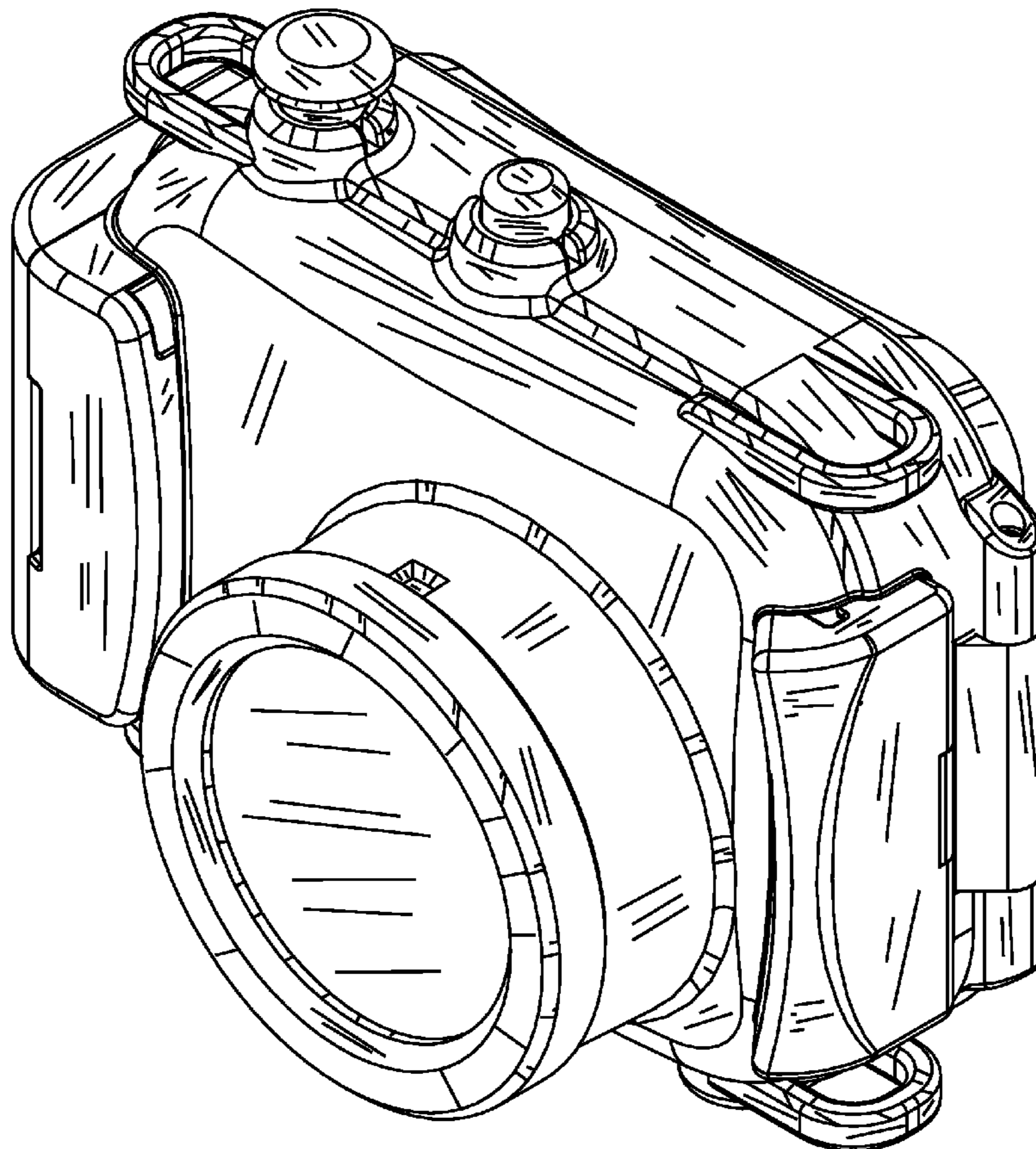
FIG. 4 is a bottom plan view thereof;

FIG. 5 is a right side elevational view thereof;

FIG. 6 is a left side elevational view thereof; and,

FIG. 7 is a top, front and right perspective view thereof.

1 Claim, 7 Drawing Sheets



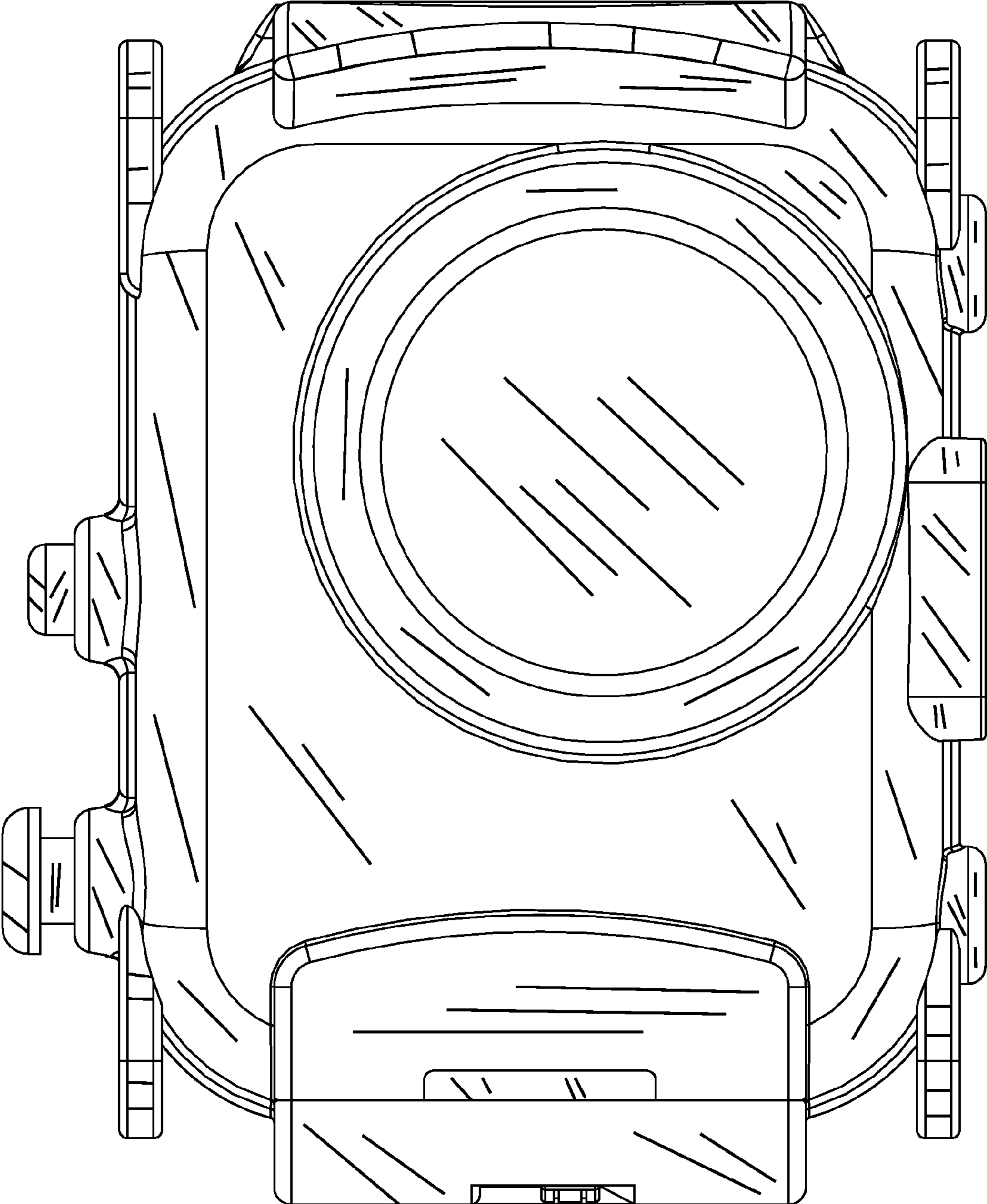


FIG. 1

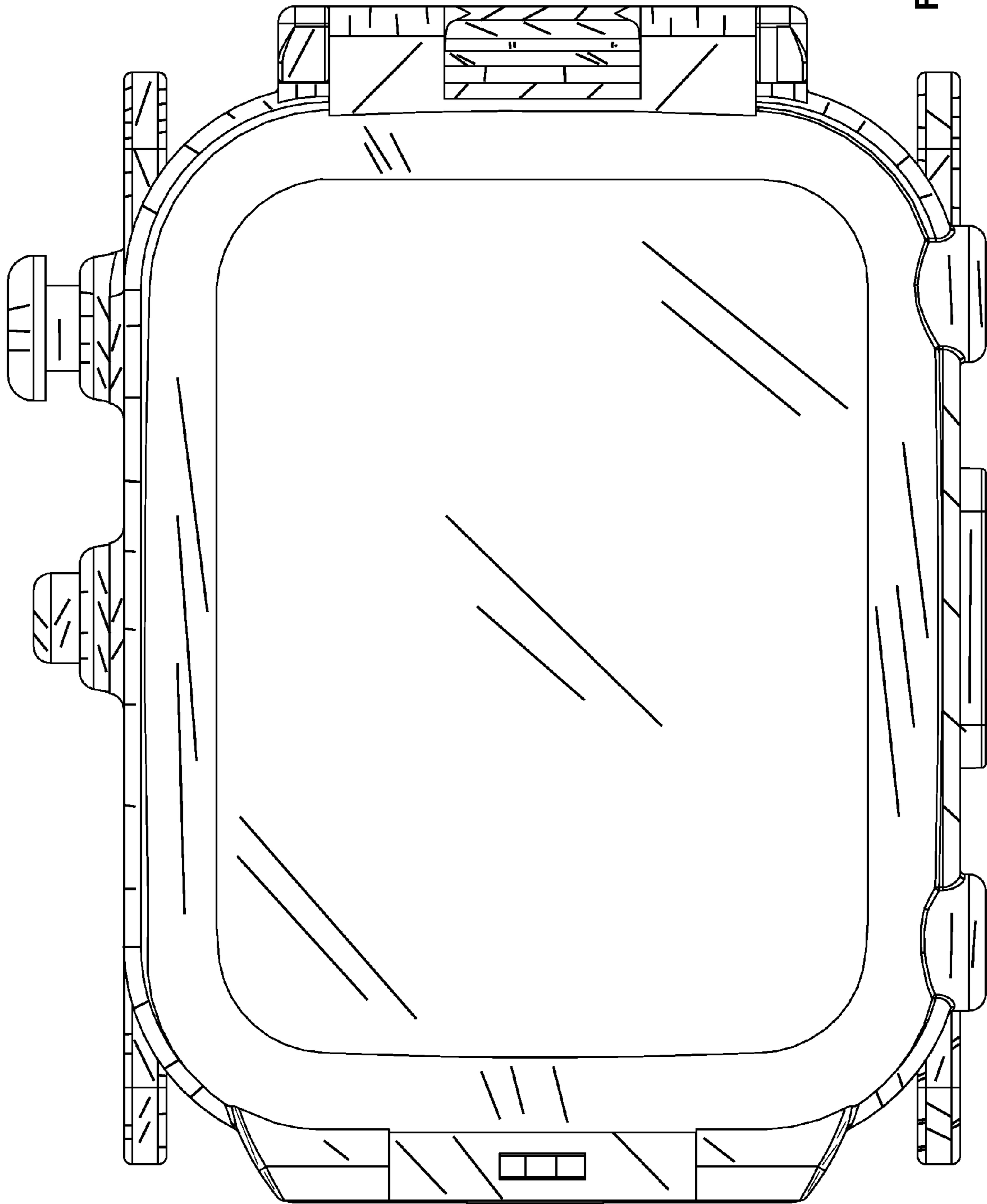


FIG. 2

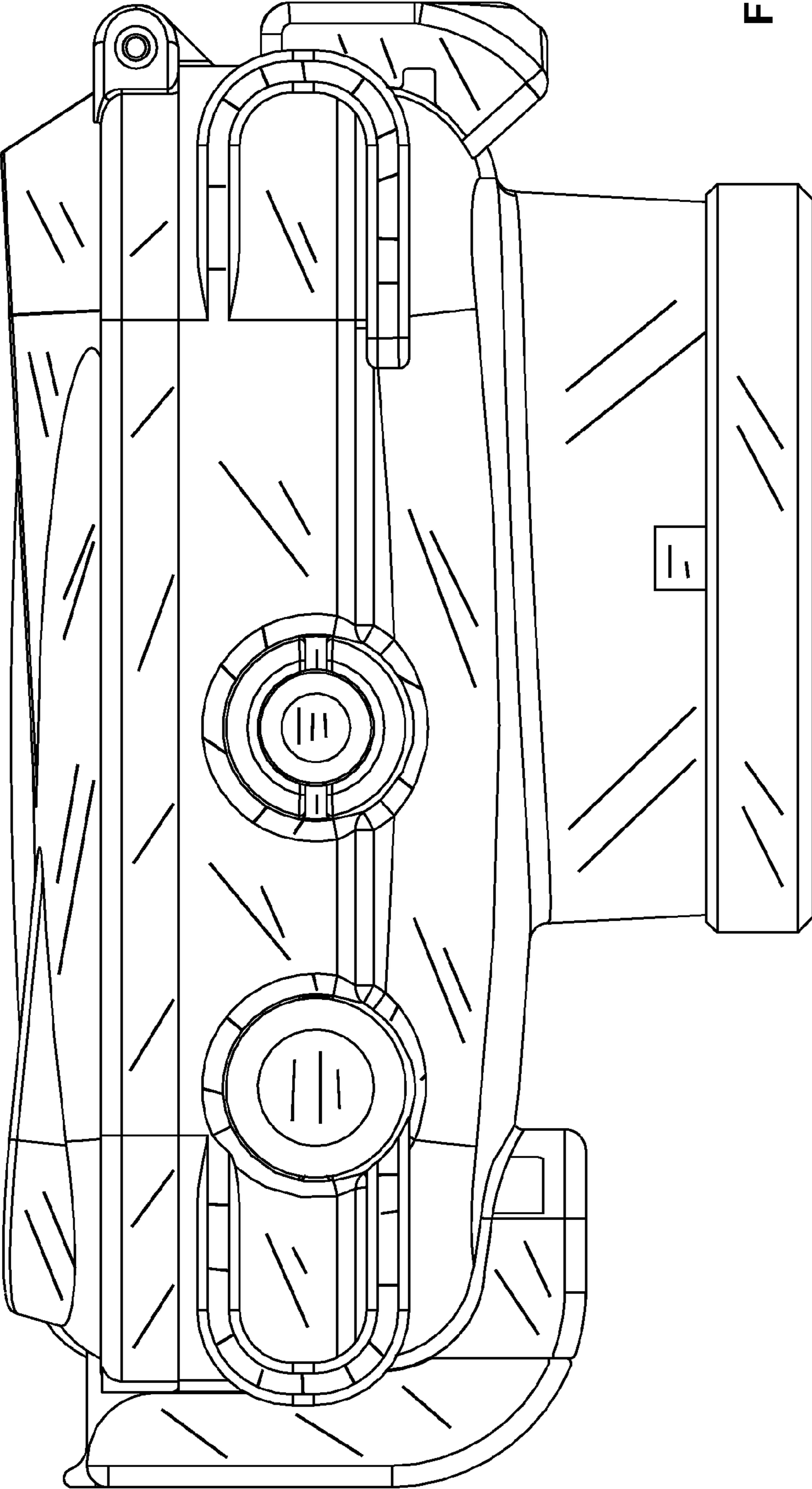


FIG. 3

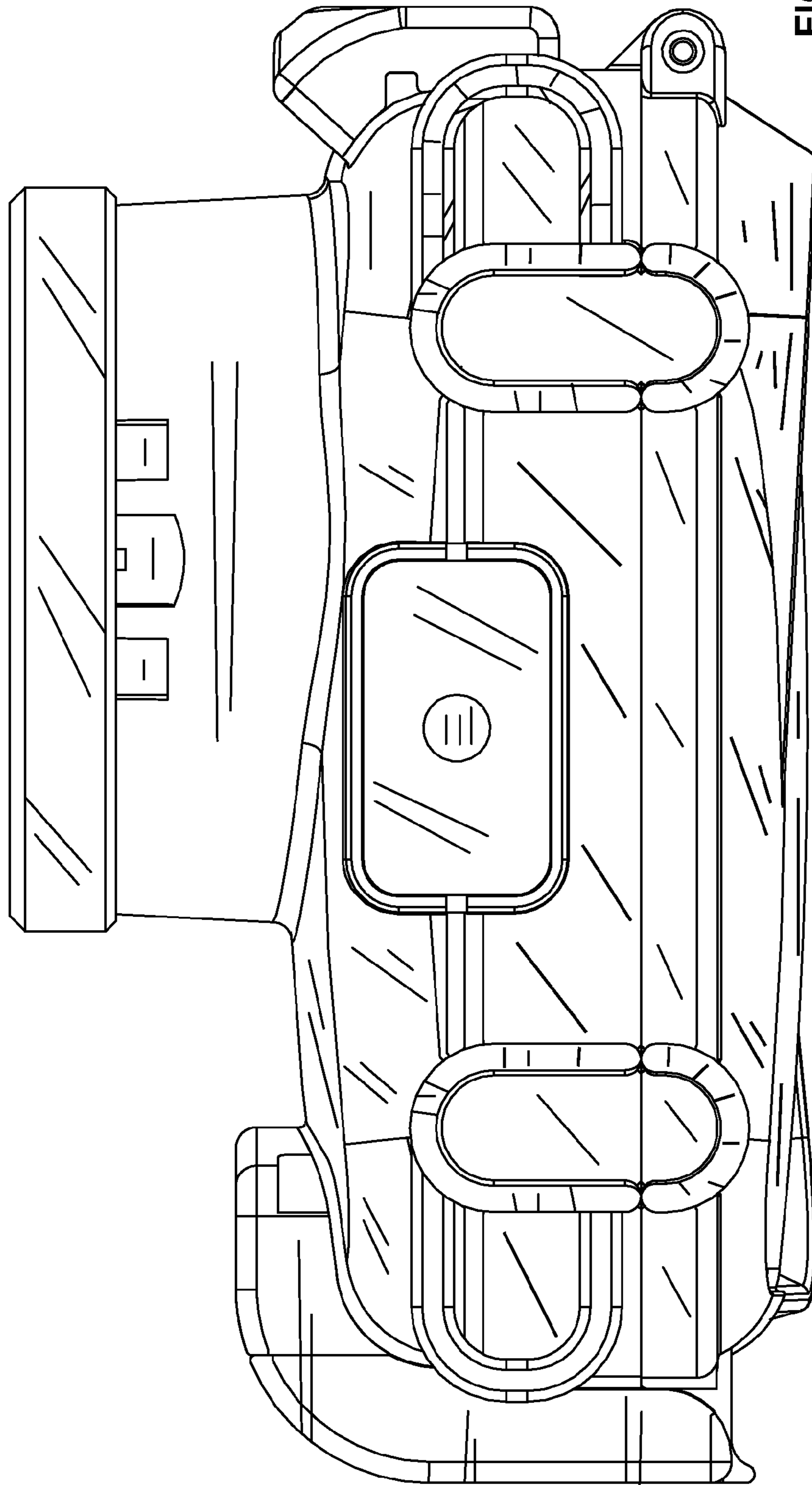


FIG. 4

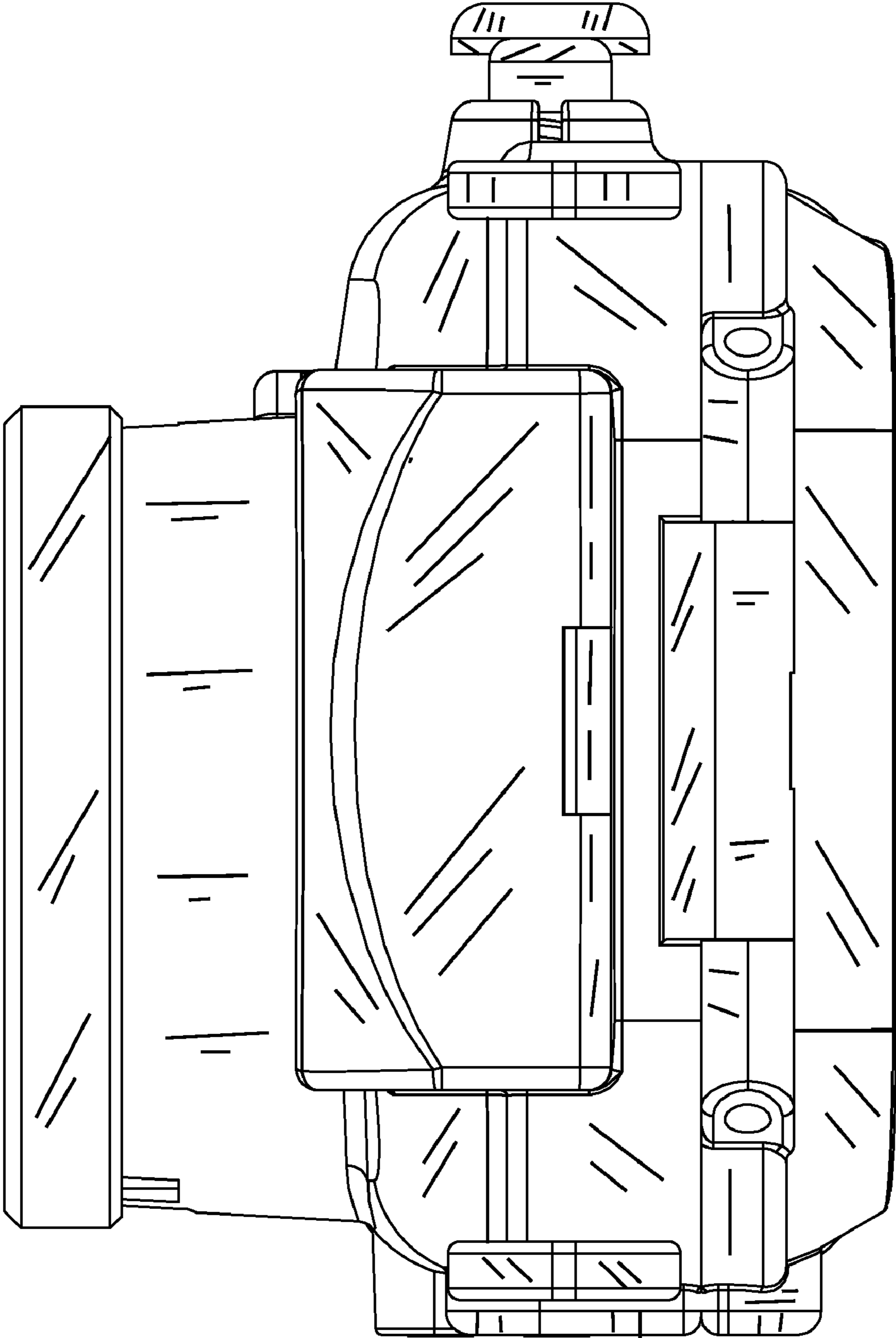


FIG. 5

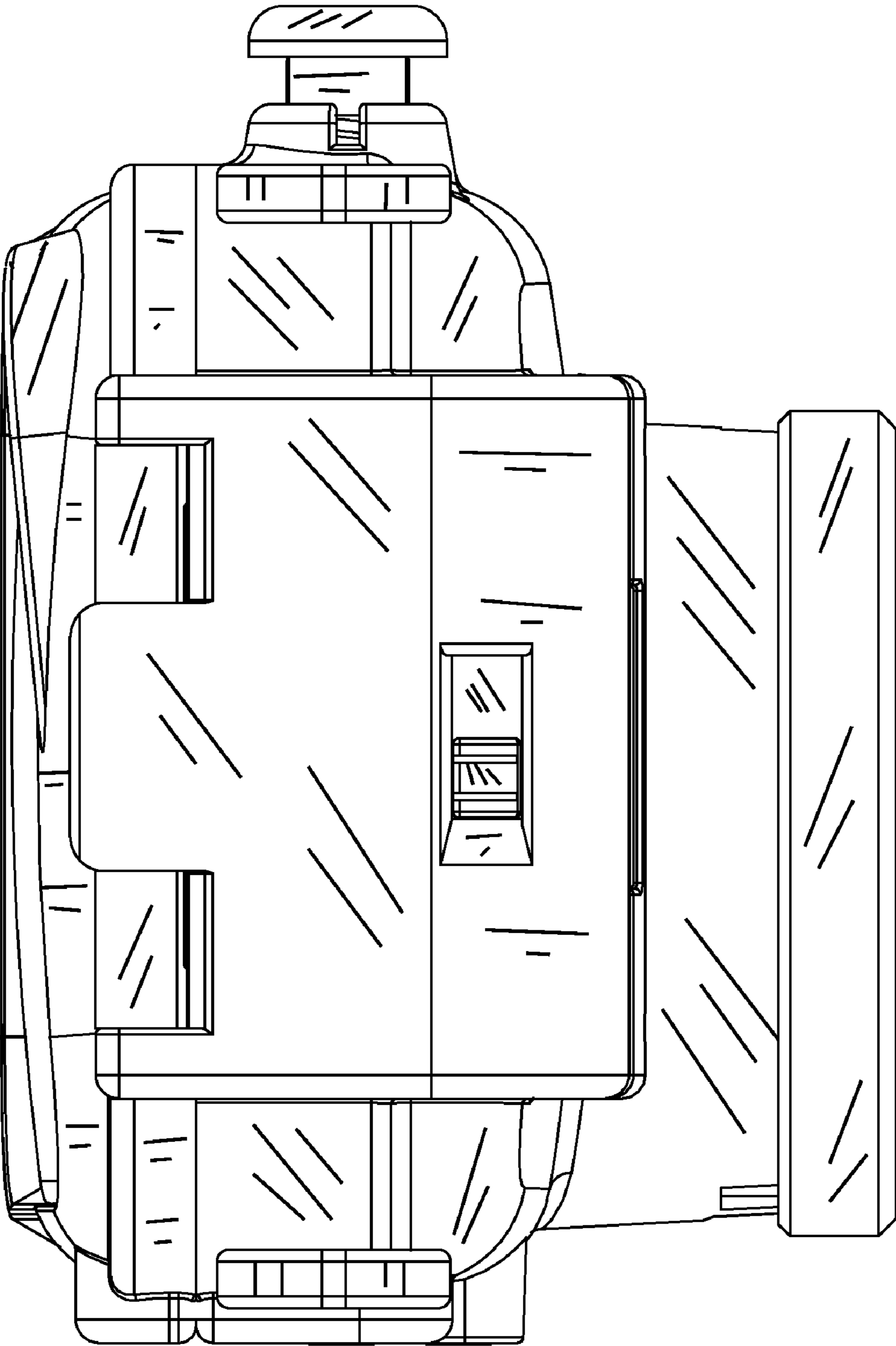


FIG. 6

FIG. 7

