



US00D621430S

(12) **United States Design Patent**  
**Christen et al.**

(10) **Patent No.:** **US D621,430 S**  
(45) **Date of Patent:** **\*\* Aug. 10, 2010**

(54) **WELDING DEVICE**

(75) Inventors: **Peter Christen**, Kriens (CH); **Andreas Furling**, Willisau (CH); **Stefan Rohrer**, Lungern (CH)

(73) Assignee: **Leister Process Technologies**, Kagiswil (CH)

(\*\*) Term: **14 Years**

(21) Appl. No.: **29/345,623**

(22) Filed: **Oct. 20, 2009**

(30) **Foreign Application Priority Data**

Apr. 24, 2009 (EM) ..... 001126650

(51) **LOC (9) Cl.** ..... **15-09**

(52) **U.S. Cl.** ..... **D15/144**

(58) **Field of Classification Search** ..... D8/30;  
D15/144, 144.1, 144.2; 219/130, 424; 222/146.5,  
222/152, 156, 189.06, 397

See application file for complete search history.

(56) **References Cited**

**U.S. PATENT DOCUMENTS**

D161,912 S *	2/1951	Fotie	.....	D15/144
4,440,588 A *	4/1984	Stevenson et al.	.....	156/157
4,834,828 A *	5/1989	Murphy	.....	156/359
5,110,398 A *	5/1992	Murphy	.....	156/499
5,935,357 A *	8/1999	Hubbard et al.	.....	156/82
6,453,964 B1 *	9/2002	Pfotenhauer et al.	.....	156/391
6,596,972 B1 *	7/2003	Di Novo et al.	.....	219/137.9
6,761,201 B2 *	7/2004	Pelcarsky et al.	.....	156/579

6,866,077 B2 *	3/2005	Zurmuhle et al.	.....	156/391
7,094,298 B2 *	8/2006	Schwetz	.....	156/71
D558,803 S *	1/2008	Gisler et al.	.....	D15/144
2003/0019586 A1 *	1/2003	Henegar	.....	156/497

\* cited by examiner

*Primary Examiner*—Sandra Snapp

*Assistant Examiner*—Patricia Palasik

(74) *Attorney, Agent, or Firm*—Bachman & LaPointe, P.C.

(57) **CLAIM**

An ornamental design for a welding device, as shown and described.

**DESCRIPTION**

FIG. 1 is a perspective view of a welding device showing the ornamental design of the present invention;

FIG. 2 is an enlarged perspective view showing the welding device of FIG. 1 with the heat element housing angled downwardly;

FIG. 3 is a rear perspective view showing the welding device of FIG. 1;

FIG. 4 is a front view of the welding device of FIG. 1;

FIG. 5 is a rear view of the welding device of FIG. 1;

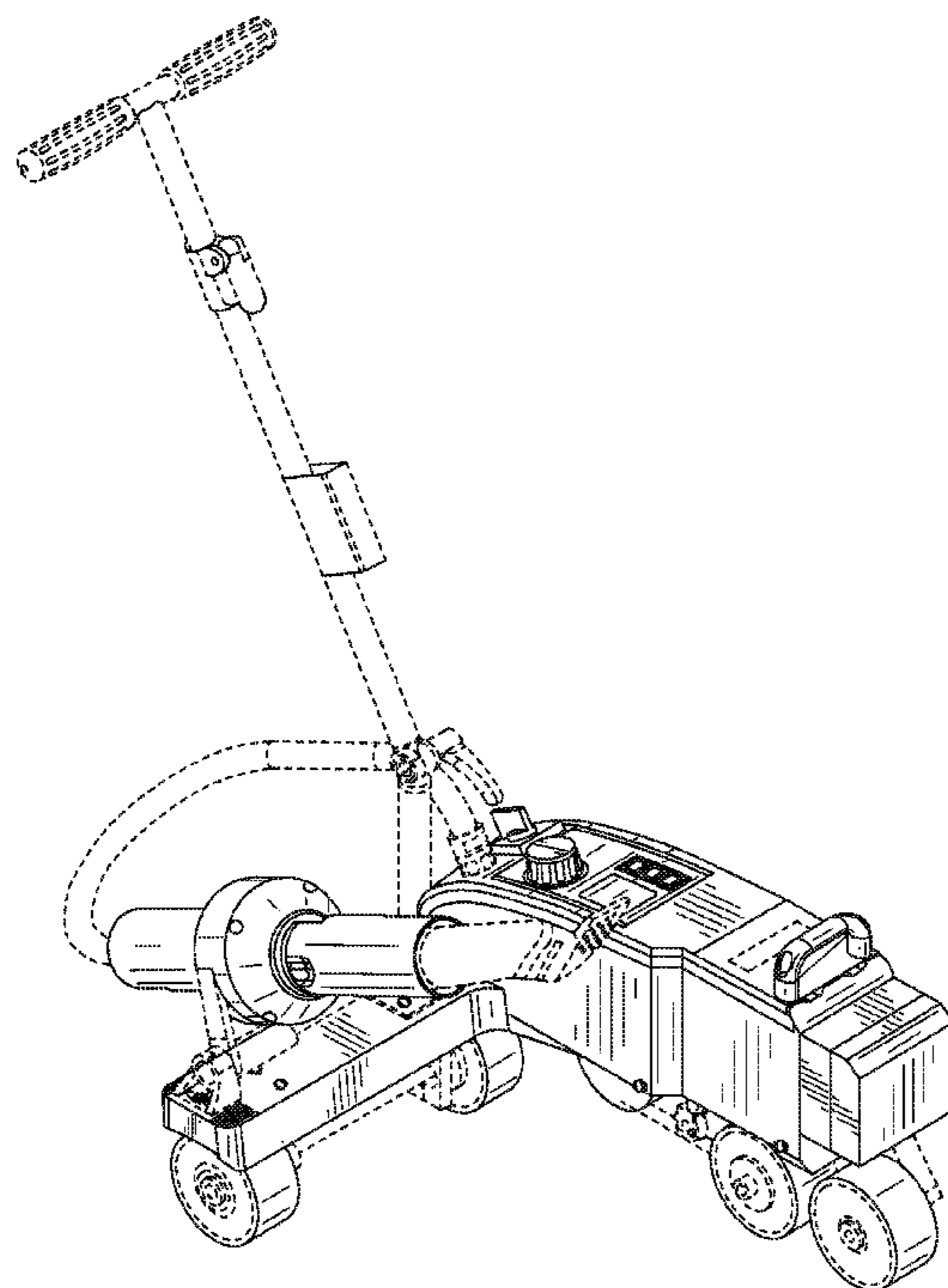
FIG. 6 is a first side view of the welding device of FIG. 1;

FIG. 7 is an opposite side view showing the welding device of FIG. 1; and,

FIG. 8 is top view showing the welding device of FIG. 1.

The broken lines in the drawings depict unclaimed environmental subject matter.

**1 Claim, 8 Drawing Sheets**



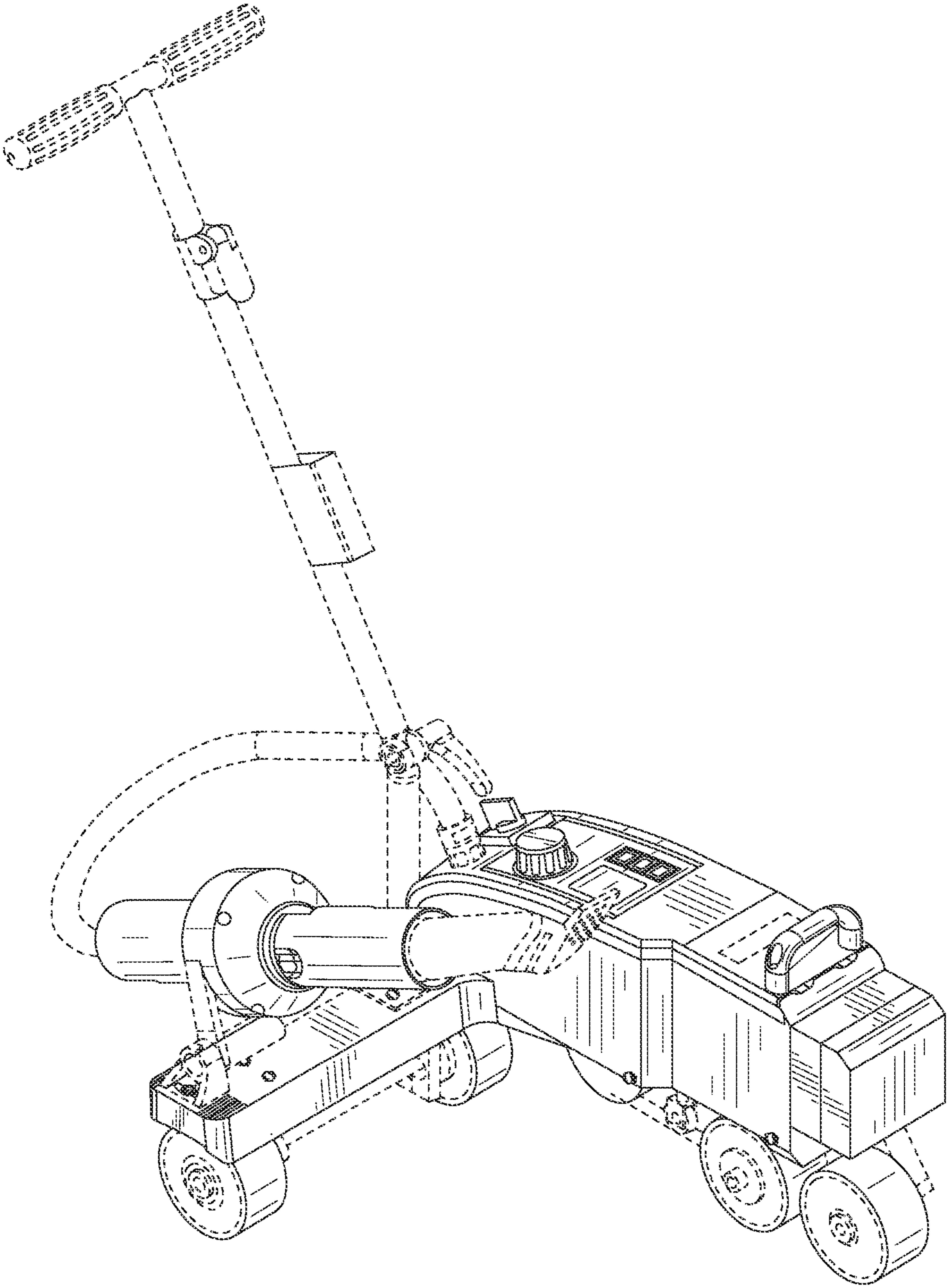


FIG. 1

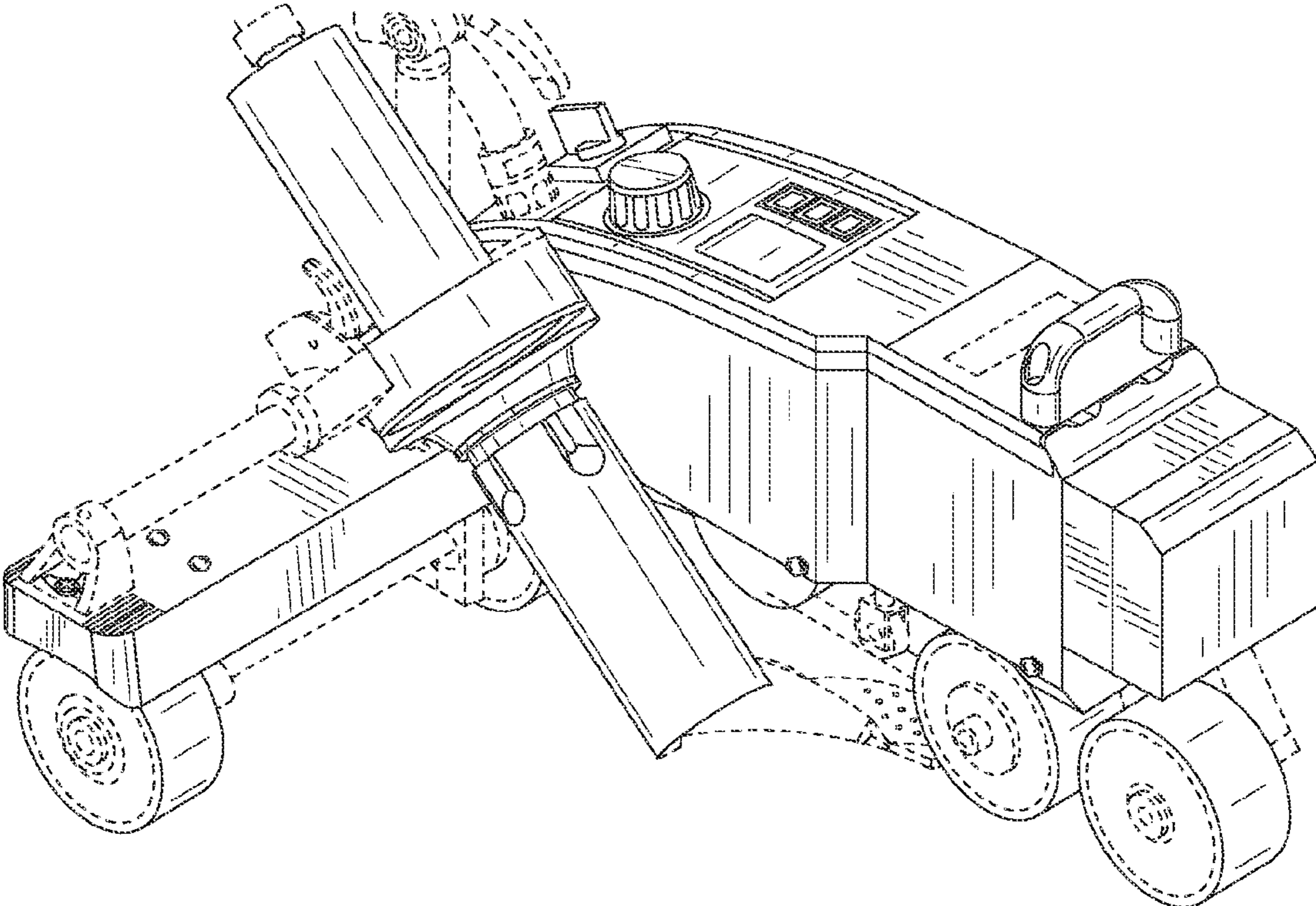


FIG. 2

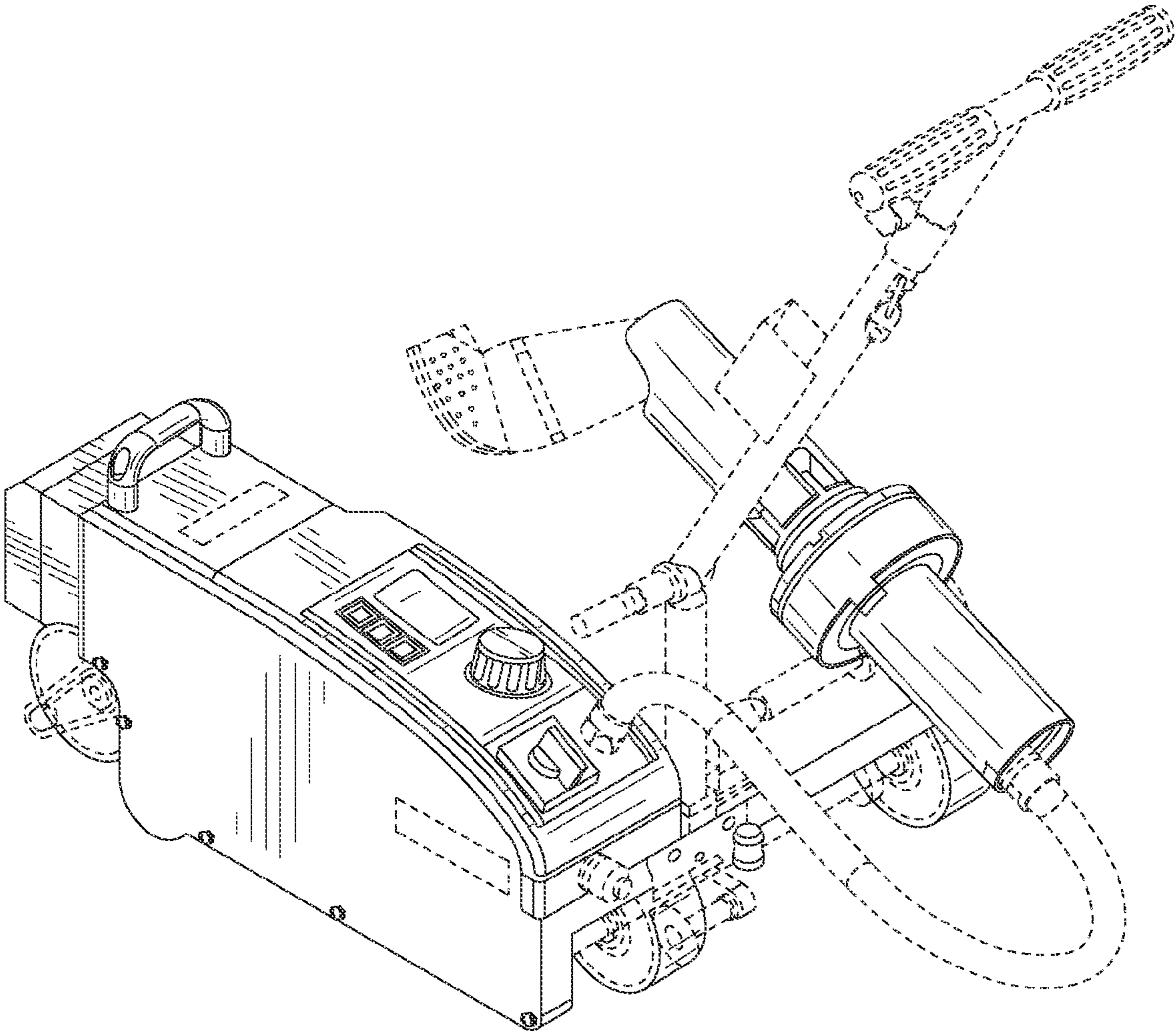


FIG. 3

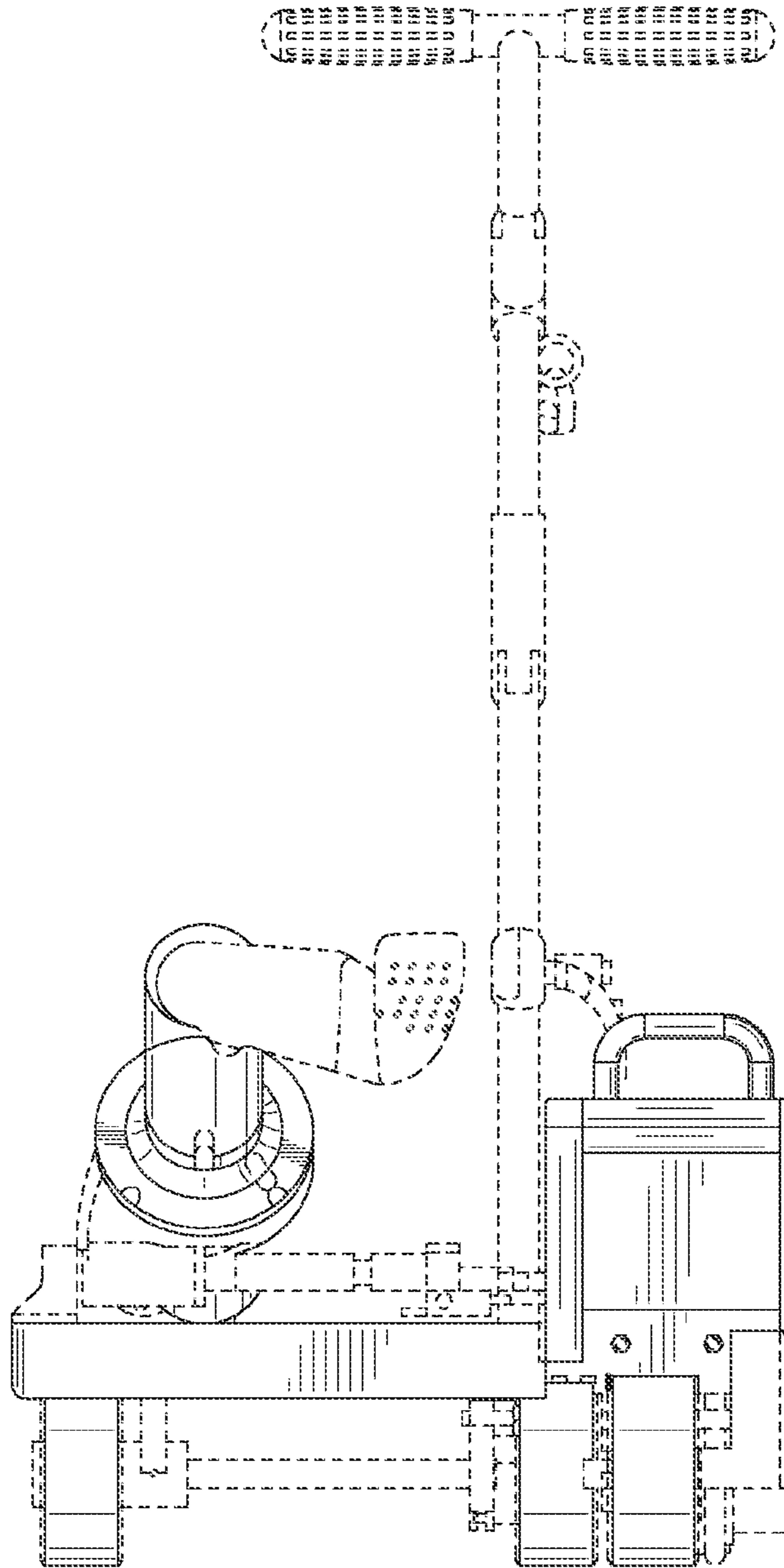


FIG. 4

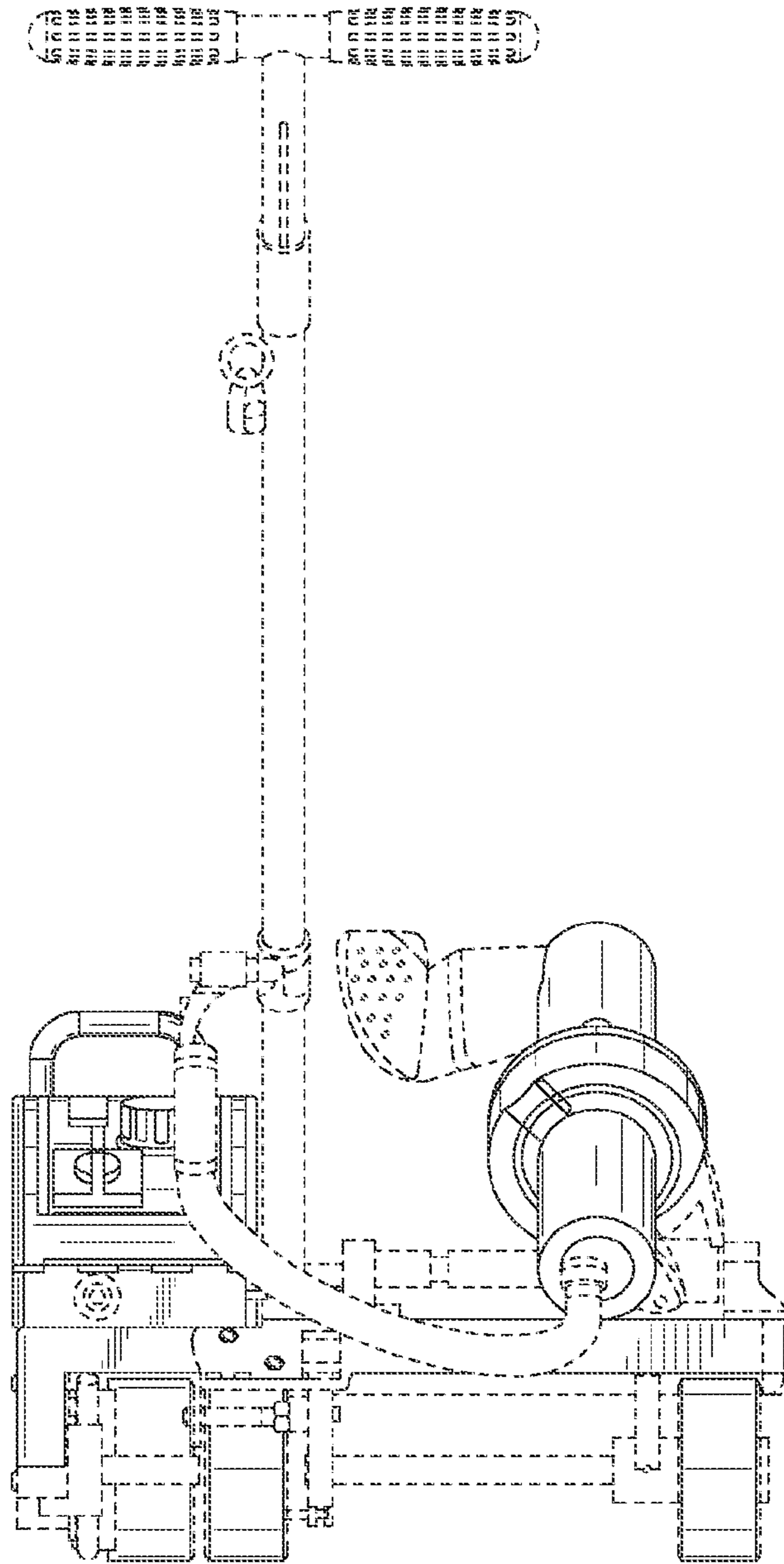


FIG. 5

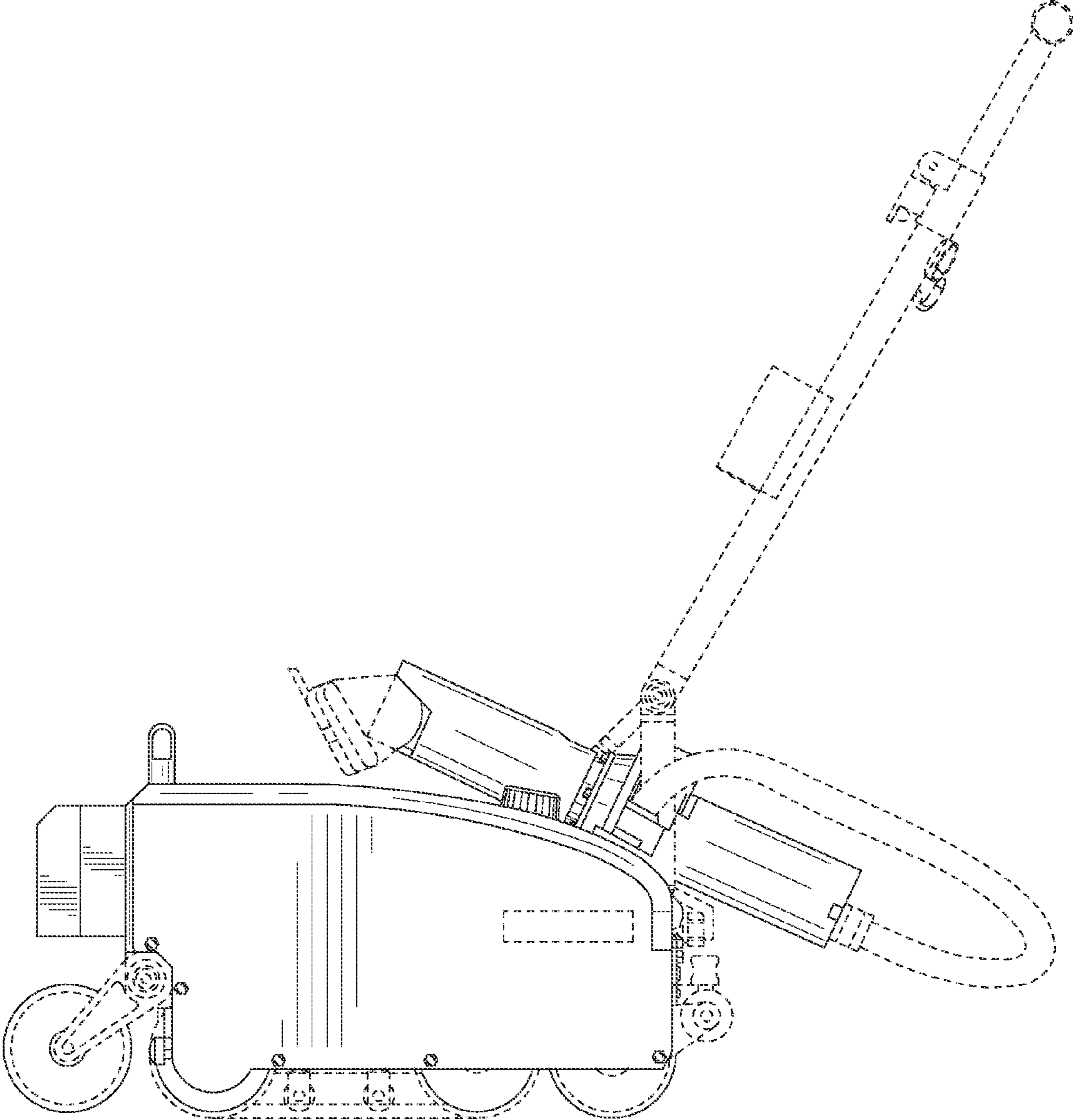


FIG. 6

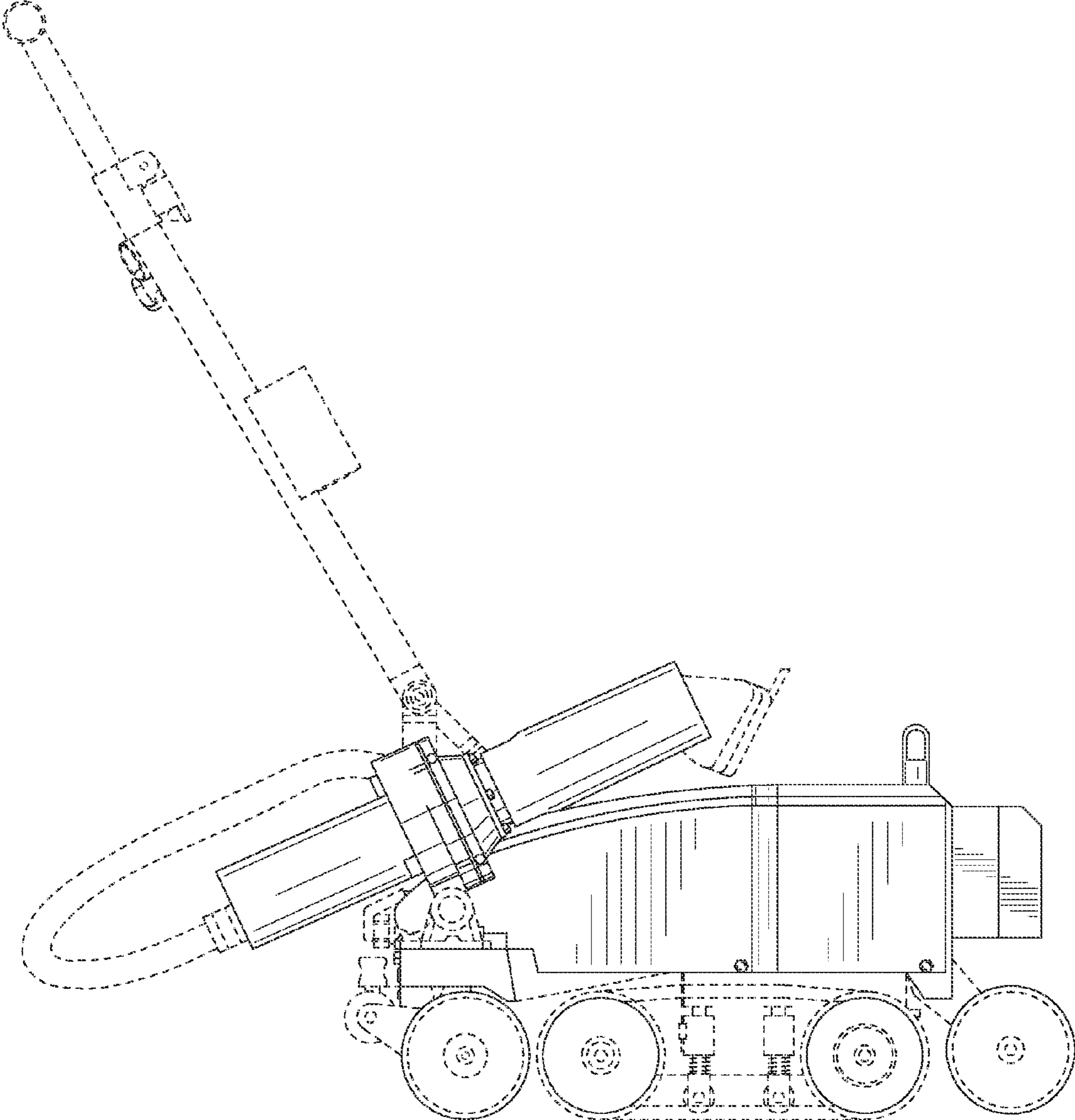


FIG. 7



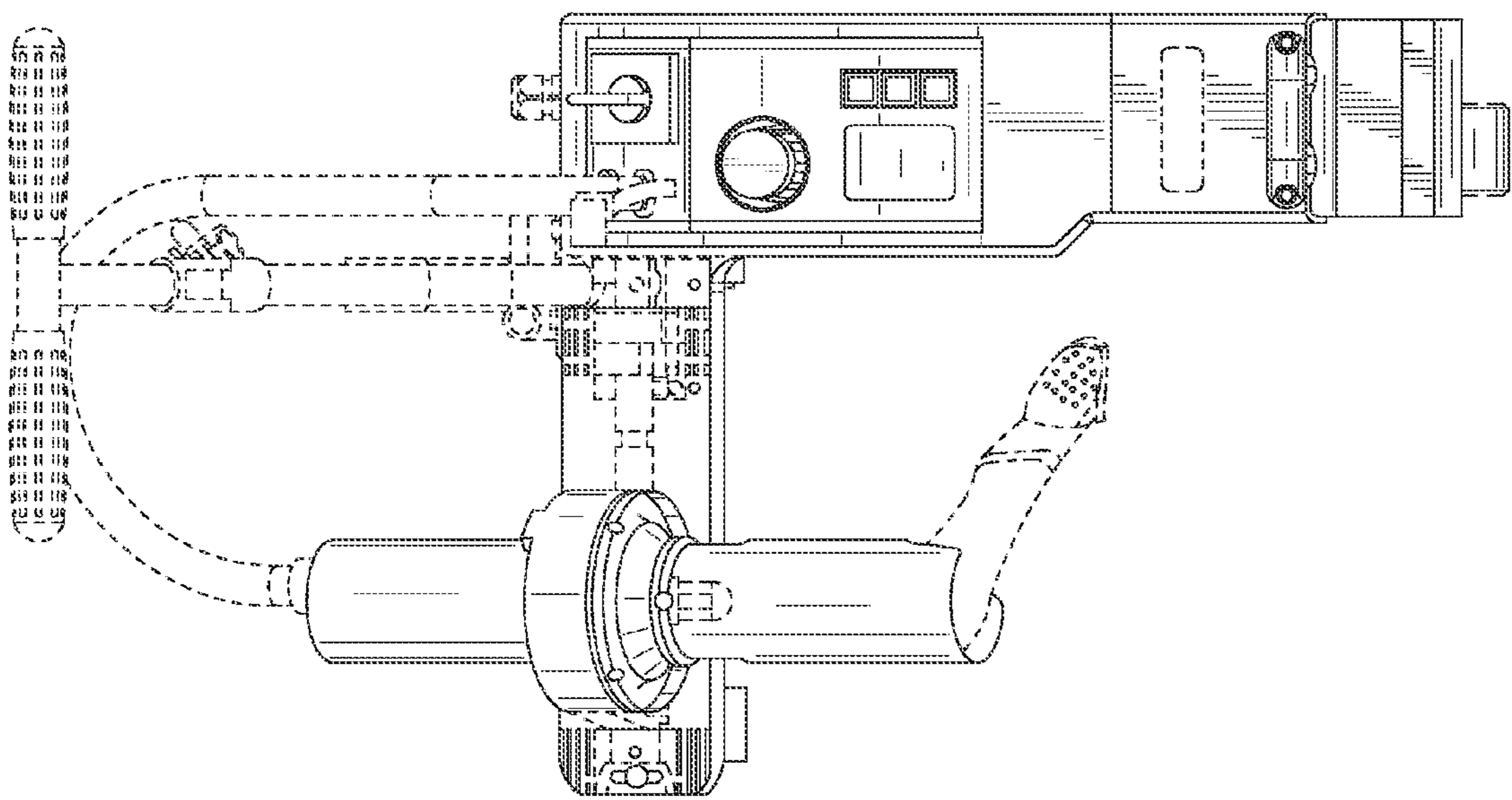


FIG. 8