



US00D621429S

(12) **United States Design Patent**
Zastrozynski

(10) **Patent No.:** **US D621,429 S**

(45) **Date of Patent:** **** Aug. 10, 2010**

(54) **CUTTING INSERT**

(75) Inventor: **Jürgen Zastrozynski**, Düsseldorf (DE)

(73) Assignee: **Kennametal Inc.**, Latrobe, PA (US)

(**) Term: **14 Years**

(21) Appl. No.: **29/344,055**

(22) Filed: **Sep. 23, 2009**

Related U.S. Application Data

(62) Division of application No. 29/294,688, filed on Jan. 23, 2008, now Pat. No. Des. 603,433.

(30) **Foreign Application Priority Data**

Jul. 27, 2007 (EP) 000765284

(51) **LOC (9) Cl.** **15-09**

(52) **U.S. Cl.** **D15/139**

(58) **Field of Classification Search** D15/138,
D15/139, 140; 407/35, 42, 112-119
See application file for complete search history.

(56) **References Cited**

U.S. PATENT DOCUMENTS

- 4,215,957 A * 8/1980 Holma et al. 407/114
- 4,880,338 A * 11/1989 Stashko 407/114
- 4,988,242 A * 1/1991 Pettersson et al. 407/114
- 5,205,680 A * 4/1993 Lindstedt 407/116
- D363,076 S * 10/1995 Hansson et al. D15/139
- D367,866 S * 3/1996 Pantzar et al. D15/139

- D422,608 S * 4/2000 Malaker et al. D15/139
- 6,186,705 B1 * 2/2001 Kumar et al. 407/114
- D485,852 S * 1/2004 Arvidsson D15/139
- D487,281 S * 3/2004 Roman et al. D15/139
- D496,949 S * 10/2004 Waggle et al. D15/139
- D497,923 S * 11/2004 Waggle et al. D15/139
- 6,843,620 B2 * 1/2005 Inayama 407/114
- D555,684 S * 11/2007 Waggle et al. D15/139
- D573,164 S * 7/2008 Nitzche D15/139
- 2006/0216122 A1 * 9/2006 Engstrom et al. 407/114

* cited by examiner

Primary Examiner—Sandra Snapp

Assistant Examiner—Patricia Palasik

(74) *Attorney, Agent, or Firm*—Larry R. Meenan

(57) **CLAIM**

The ornamental design for a cutting insert, as shown and described.

DESCRIPTION

FIG. 1 is a perspective view from above of a cutting insert showing my new design;

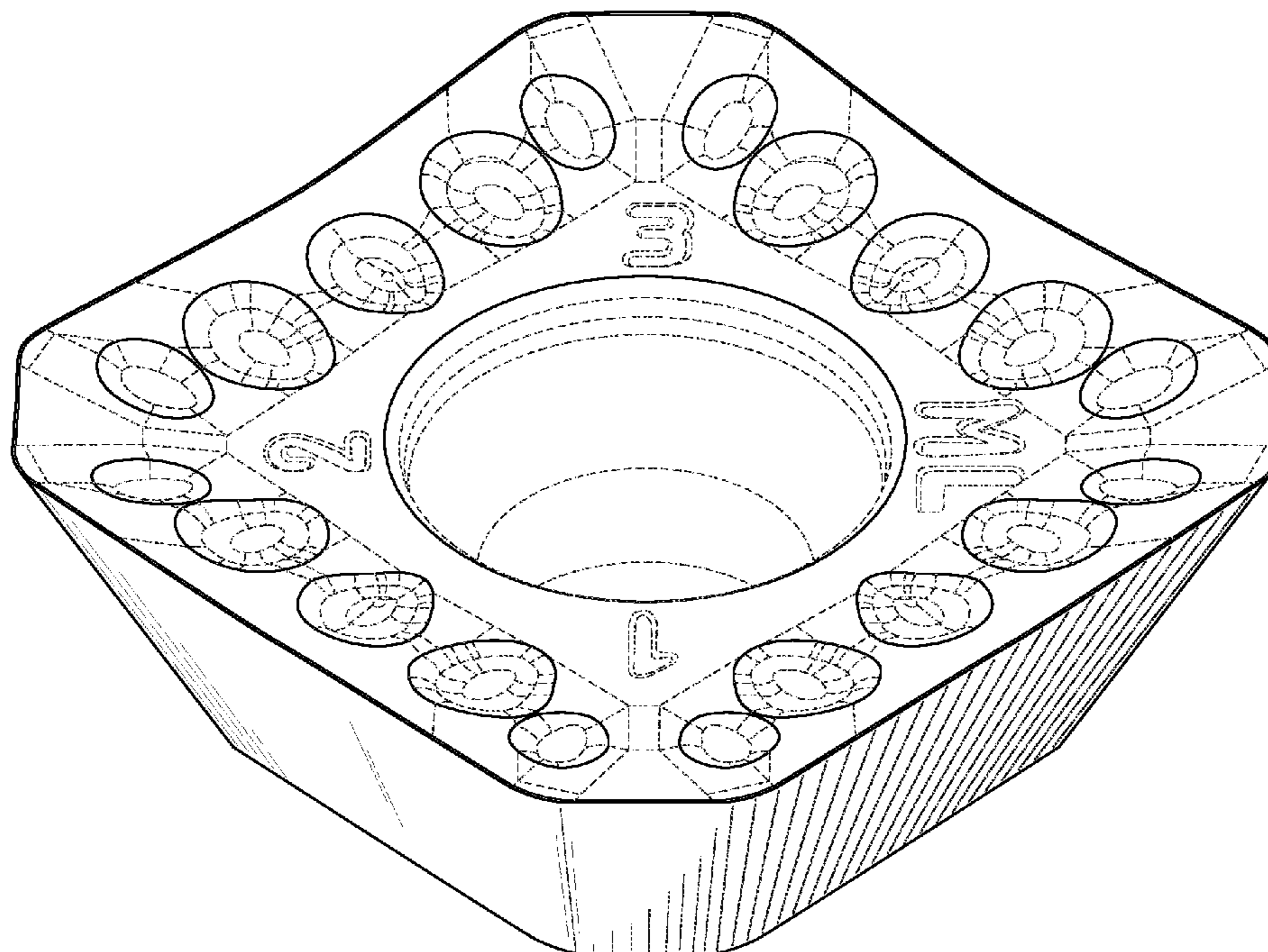
FIG. 2 is a top plan view thereof;

FIG. 3 is a bottom plan view thereof; and,

FIG. 4 is a side view thereof, which is identical from all sides.

The broken line showings of FIGS. 1-3 are included for the purposes of illustrating portions of the cutting insert and form no part of the claimed design.

1 Claim, 4 Drawing Sheets



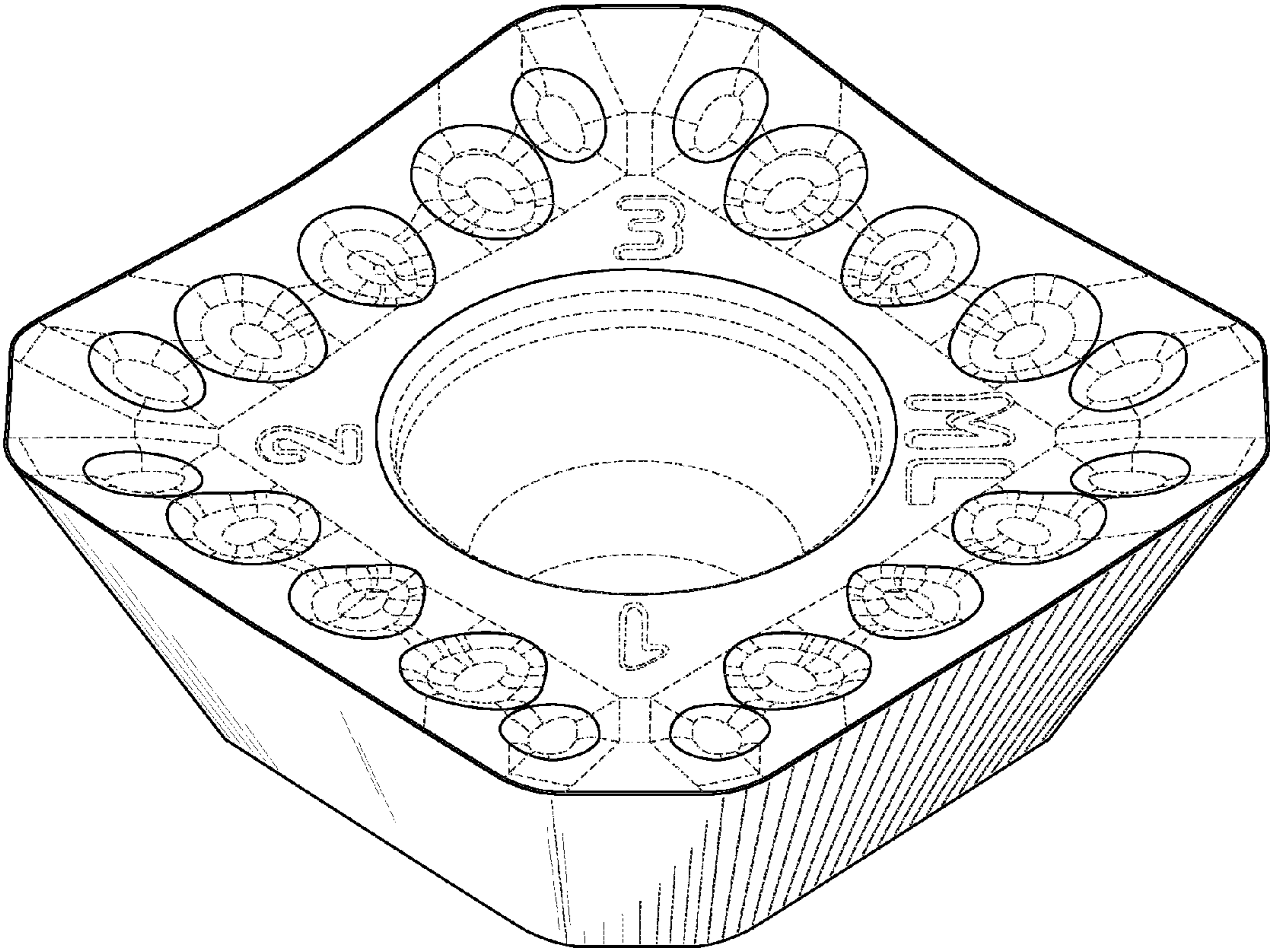


FIG. 1

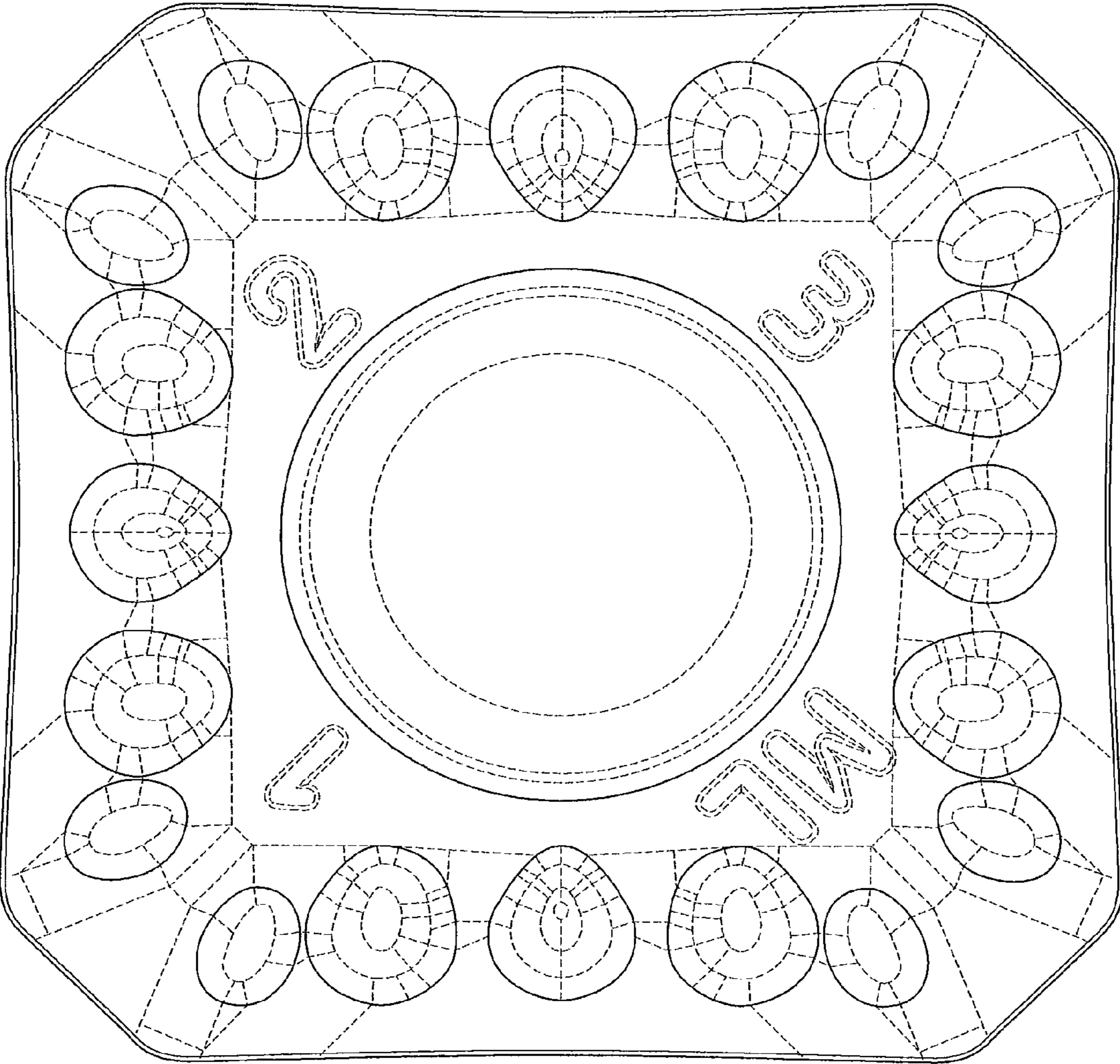


FIG. 2

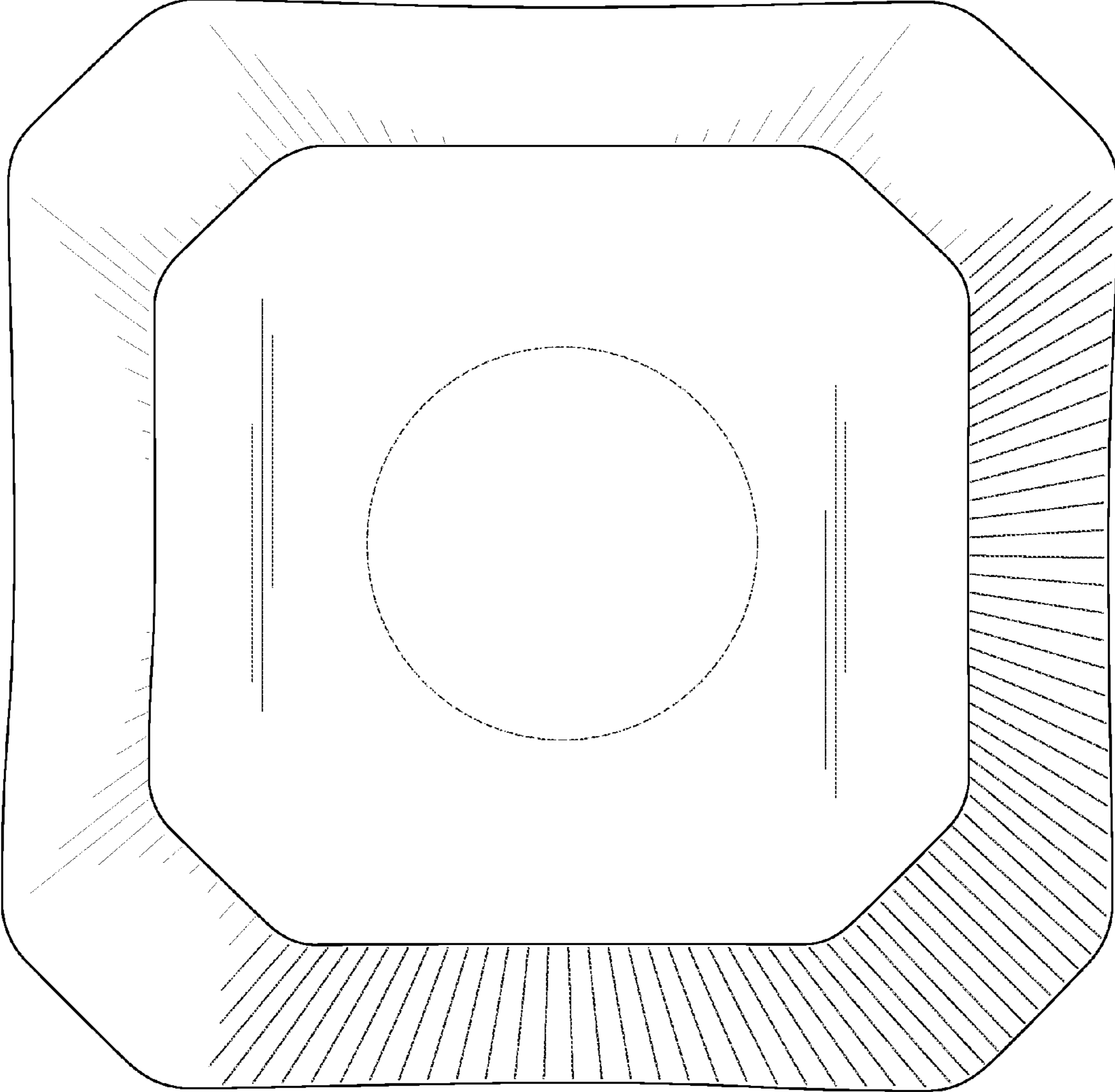


FIG. 3

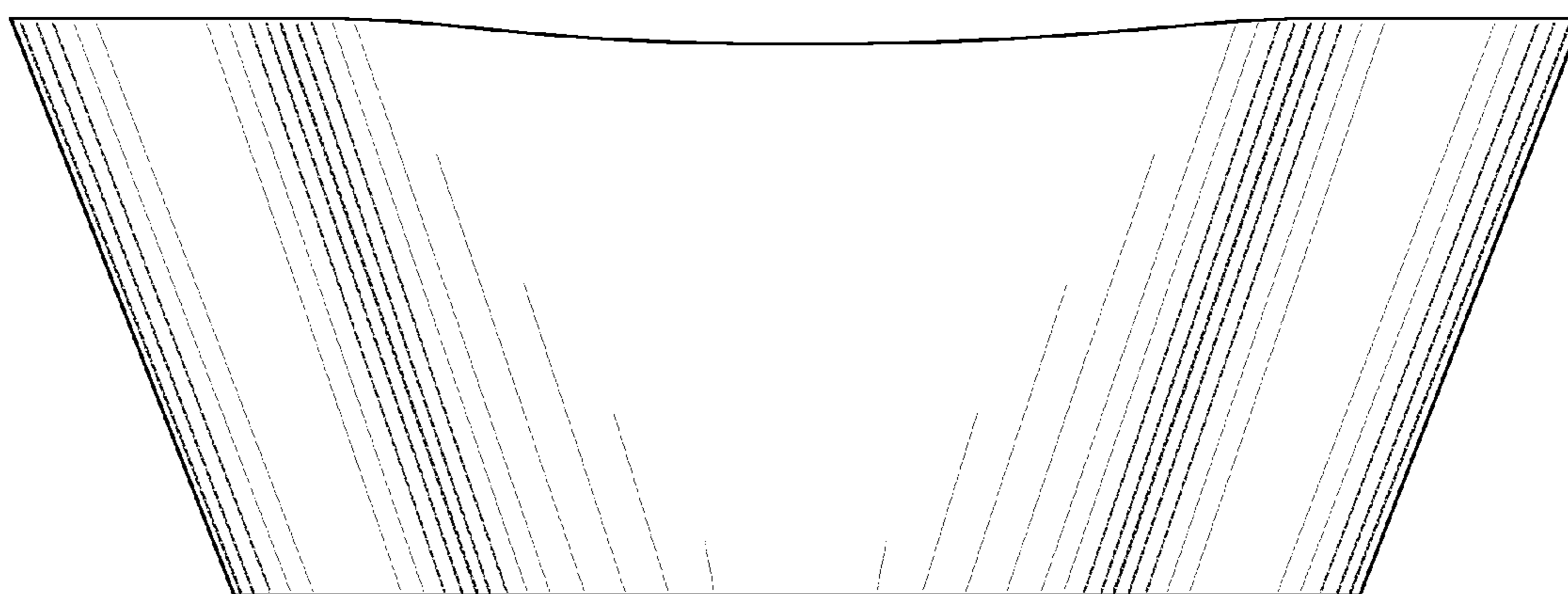


FIG. 4