



US00D621427S

(12) **United States Design Patent**
Dow et al.

(10) **Patent No.:** **US D621,427 S**
(45) **Date of Patent:** **** Aug. 10, 2010**

(54) **ADAPTER FOR A SANDING TOOL**

(75) Inventors: **David R. Dow**, West Lakeland, MN
(US); **Brett R. Johnson**, Roseville, MN
(US); **Micah T. Somers**, Minneapolis,
MN (US)

(73) Assignee: **3M Innovative Properties Company**,
St. Paul, MN (US)

(**) Term: **14 Years**

(21) Appl. No.: **29/352,251**

(22) Filed: **Dec. 18, 2009**

(51) **LOC (9) Cl.** **15-09**

(52) **U.S. Cl.** **D15/126**

(58) **Field of Classification Search** D3/276,
D3/282, 291; D7/605; D8/70; D9/456;
D11/3, 86, 87; D15/125, 126, 138; 21/484,
21/502, 503; 83/441, 441.1, 468, 781, 829;
451/522, 525

See application file for complete search history.

(56) **References Cited**

U.S. PATENT DOCUMENTS

1,453,225	A *	4/1923	Harris	451/522
2,417,356	A *	3/1947	Feild	451/521
D194,637	S *	2/1963	Szantay	D7/605
4,552,541	A *	11/1985	Bolli	446/91
4,885,876	A *	12/1989	Henke	451/503
D355,766	S *	2/1995	Miller	D3/323
D365,857	S *	1/1996	Lyman	D21/491

D408,142	S *	4/1999	Song	D3/282
6,050,044	A *	4/2000	McIntosh	52/591.1
6,126,506	A *	10/2000	Rudy	446/85
D448,249	S *	9/2001	DeCastro et al.	D7/605
D519,375	S *	4/2006	Brooks	D9/456
7,112,128	B1 *	9/2006	Kirschhoffer et al.	451/499
7,396,276	B2 *	7/2008	Ali et al.	451/356
7,473,165	B1 *	1/2009	Berryhill	451/354
D595,710	S *	7/2009	Harrington	D14/258
D611,783	S *	3/2010	Masser et al.	D8/1
2004/0262322	A1 *	12/2004	Middleton et al.	220/675
2010/0009609	A1 *	1/2010	Dow et al.	451/522

* cited by examiner

Primary Examiner—Sandra Snapp

Assistant Examiner—Patricia Palasik

(74) *Attorney, Agent, or Firm*—David B. Patchett

(57) **CLAIM**

The ornamental design for an adapter for a sanding tool, as shown and described.

DESCRIPTION

FIG. 1 is a perspective view showing the new design for an adapter for a sanding tool.

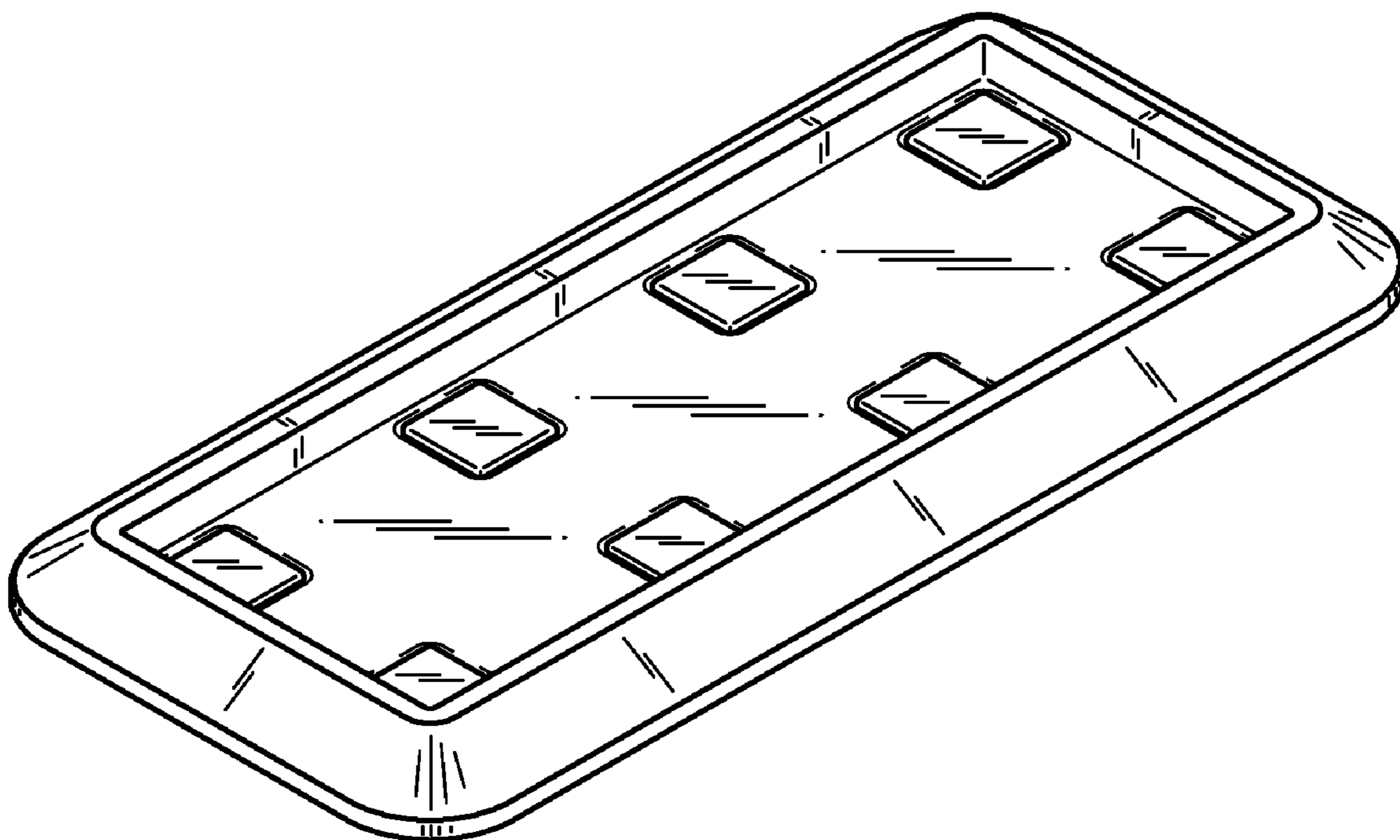
FIG. 2 is a top view thereof;

FIG. 3 is a bottom view thereof;

FIG. 4 is a front view thereof, the back view being a mirror image of the front view shown; and,

FIG. 5 is a right side view thereof, the left side view being a mirror image of the right side view shown.

1 Claim, 2 Drawing Sheets



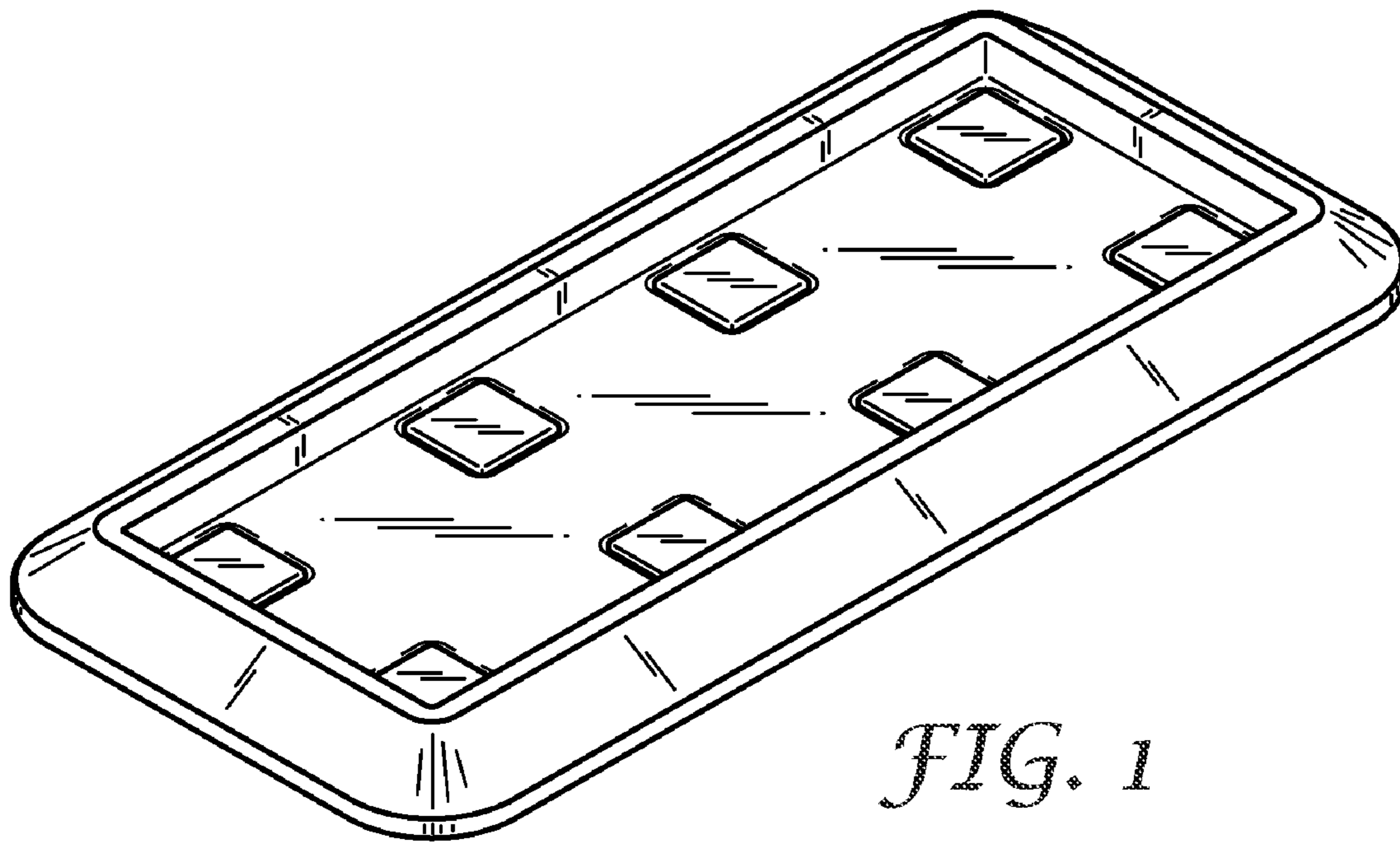


FIG. 1

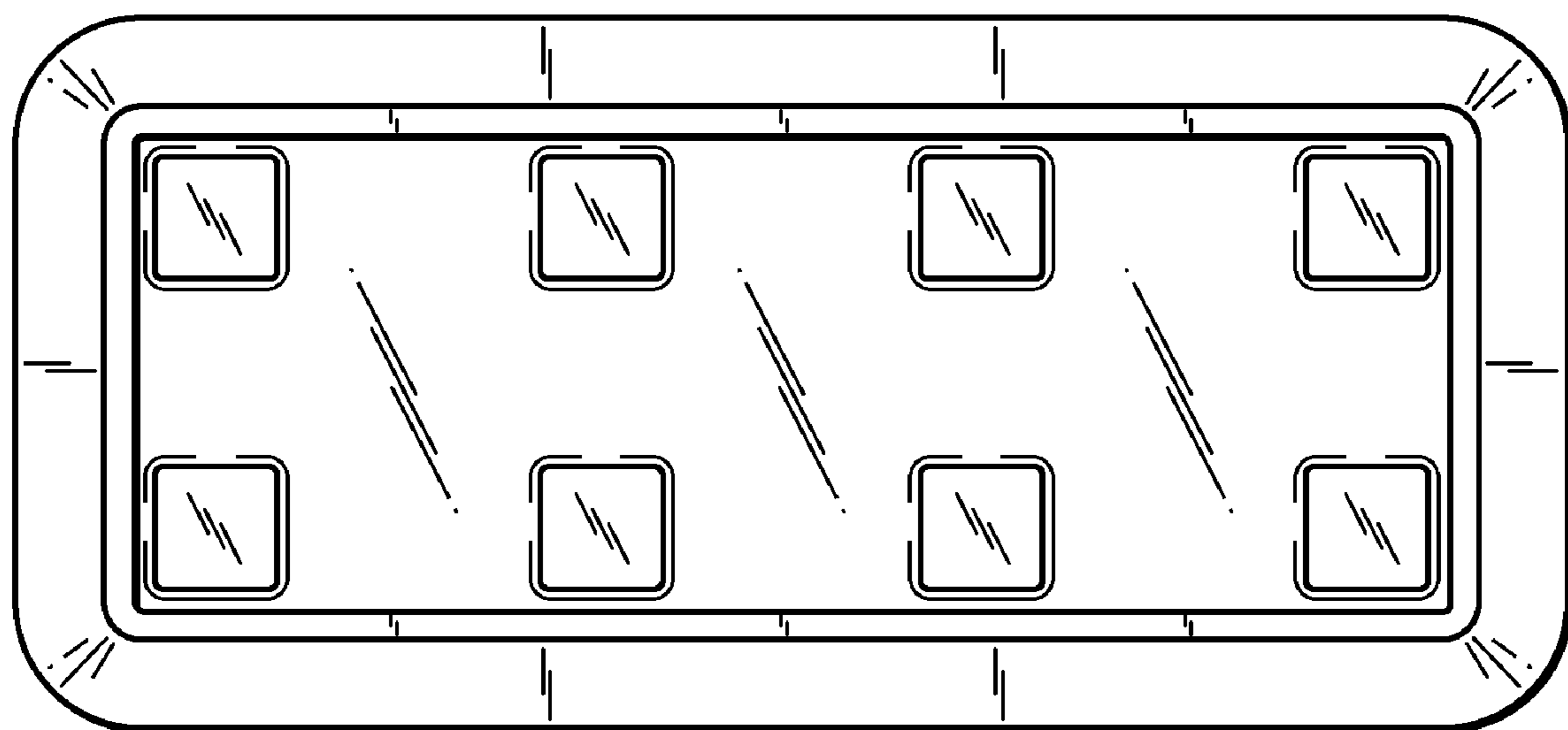


FIG. 2

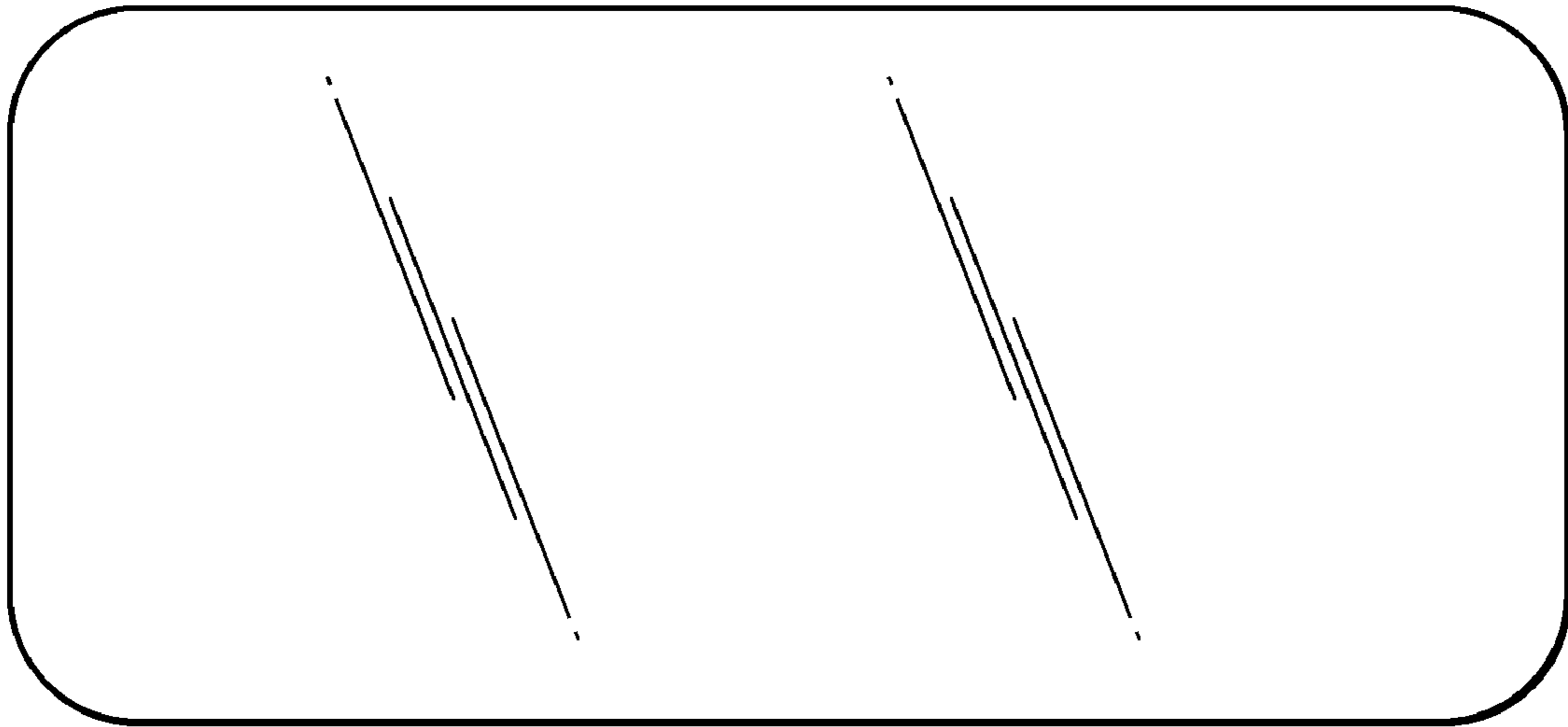


FIG. 3

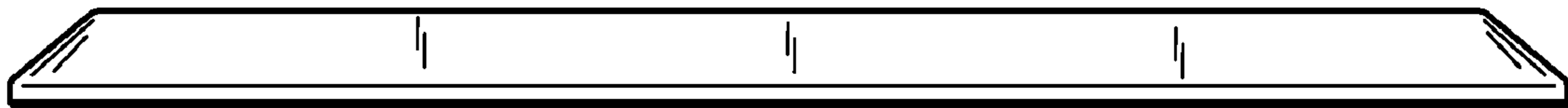


FIG. 4

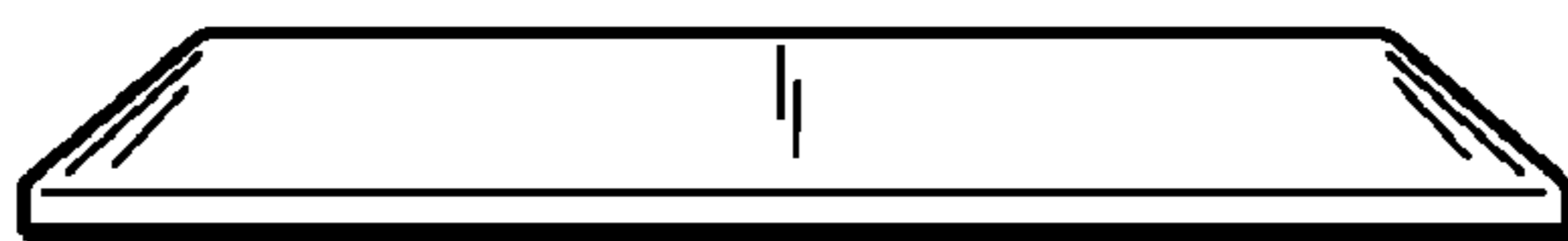


FIG. 5