



US00D621426S

(12) **United States Design Patent**
Fusejima et al.

(10) **Patent No.:** **US D621,426 S**

(45) **Date of Patent:** **** Aug. 10, 2010**

(54) **FLUIDIZED BED GRANULATION COATER**

(75) Inventors: **Iwao Fusejima**, Shinjuku-ku (JP);
Kazuhiko Nara, Shinjuku-ku (JP);
Masayuki Omori, Yaizu (JP)

(73) Assignees: **Freund Corporation**, Tokyo (JP);
Okawara Mfg. Co., Ltd., Shizuoka-Ken (JP)

(**) Term: **14 Years**

(21) Appl. No.: **29/347,367**

(22) Filed: **Dec. 15, 2009**

(30) **Foreign Application Priority Data**

Jun. 26, 2009 (JP) 2009-14600

(51) **LOC (9) Cl.** **15-09**

(52) **U.S. Cl.** **D15/122**

(58) **Field of Classification Search** D15/122,
D15/124, 199; 118/64, 300, 309, 310, 324
See application file for complete search history.

(56) **References Cited**

U.S. PATENT DOCUMENTS

2,400,315	A *	5/1946	Paasche	118/64
3,669,068	A *	6/1972	Geitz	118/64
D390,577	S *	2/1998	Imahashi	D15/124
6,068,702	A *	5/2000	Bertellotti et al.	118/621
D459,370	S *	6/2002	Beadel	D15/124
D567,264	S *	4/2008	Muller et al.	D15/122
D599,389	S *	9/2009	Eckhardt	D15/199
2003/0084835	A1 *	5/2003	Chao	116/173

2005/0188919	A1 *	9/2005	Nguyen	118/300
2006/0147633	A1 *	7/2006	Jones	427/299
2007/0036898	A1 *	2/2007	Hill et al.	427/256
2008/0003349	A1 *	1/2008	Van Sciver et al.	427/8

* cited by examiner

Primary Examiner—Sandra Snapp

Assistant Examiner—Patricia Palasik

(74) *Attorney, Agent, or Firm*—Wenderoth, Lind & Ponack, L.L.P.

(57) **CLAIM**

The ornamental design for a fluidized bed granulation coater, as shown and described.

DESCRIPTION

FIG. 1 is a right side perspective view of a fluidized bed granulation coater;

FIG. 2 is a left side perspective view thereof;

FIG. 3 is a right side view thereof;

FIG. 4 is a left side view thereof;

FIG. 5 is a front view thereof;

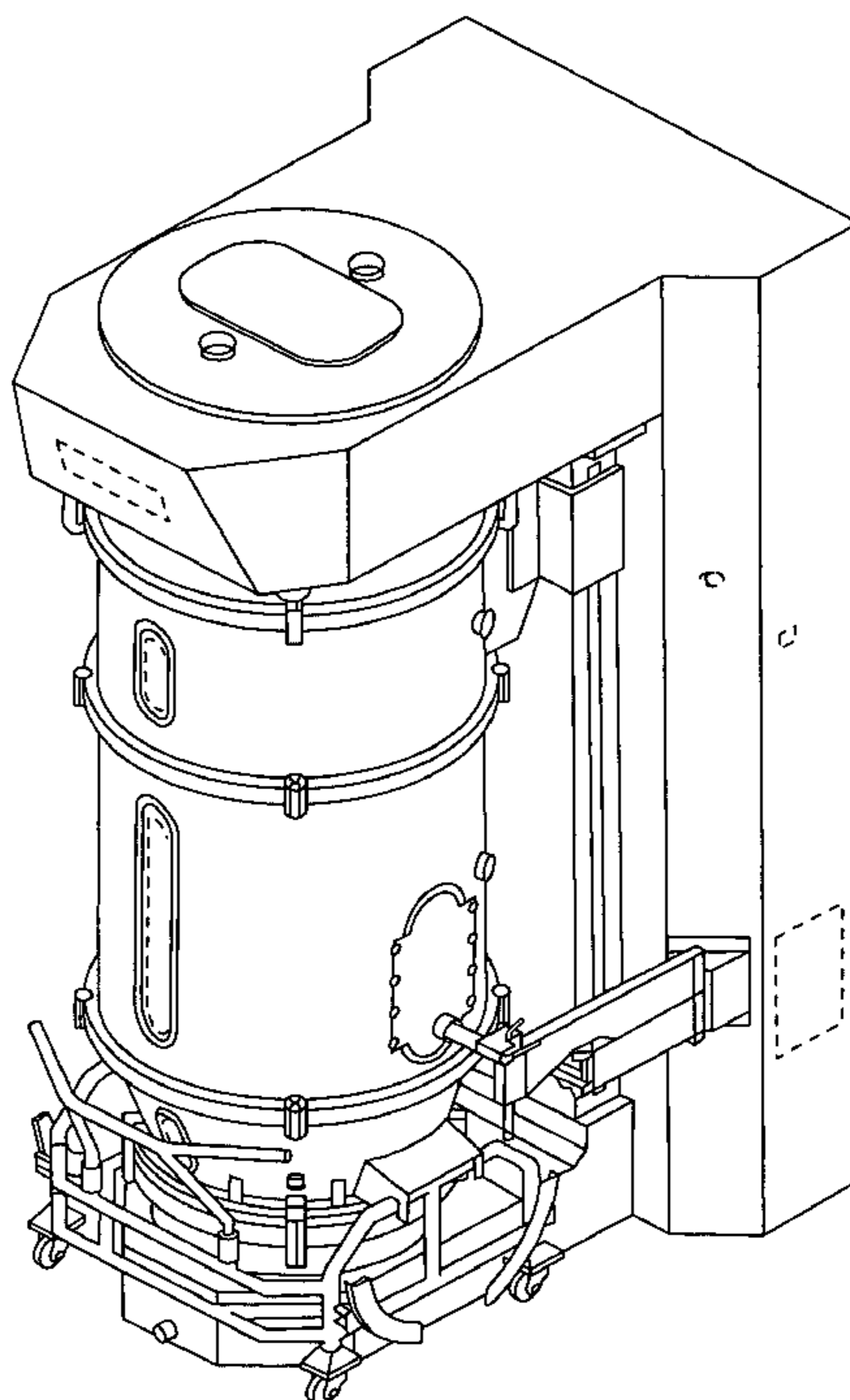
FIG. 6 is a rear view thereof;

FIG. 7 is a top view thereof; and,

FIG. 8 is a bottom view thereof.

A fluidized bed granulation coater has a cylindrical processing container that contains powder and particles serving as raw material, and carries out desired granulation and coating processing and the like.

1 Claim, 8 Drawing Sheets



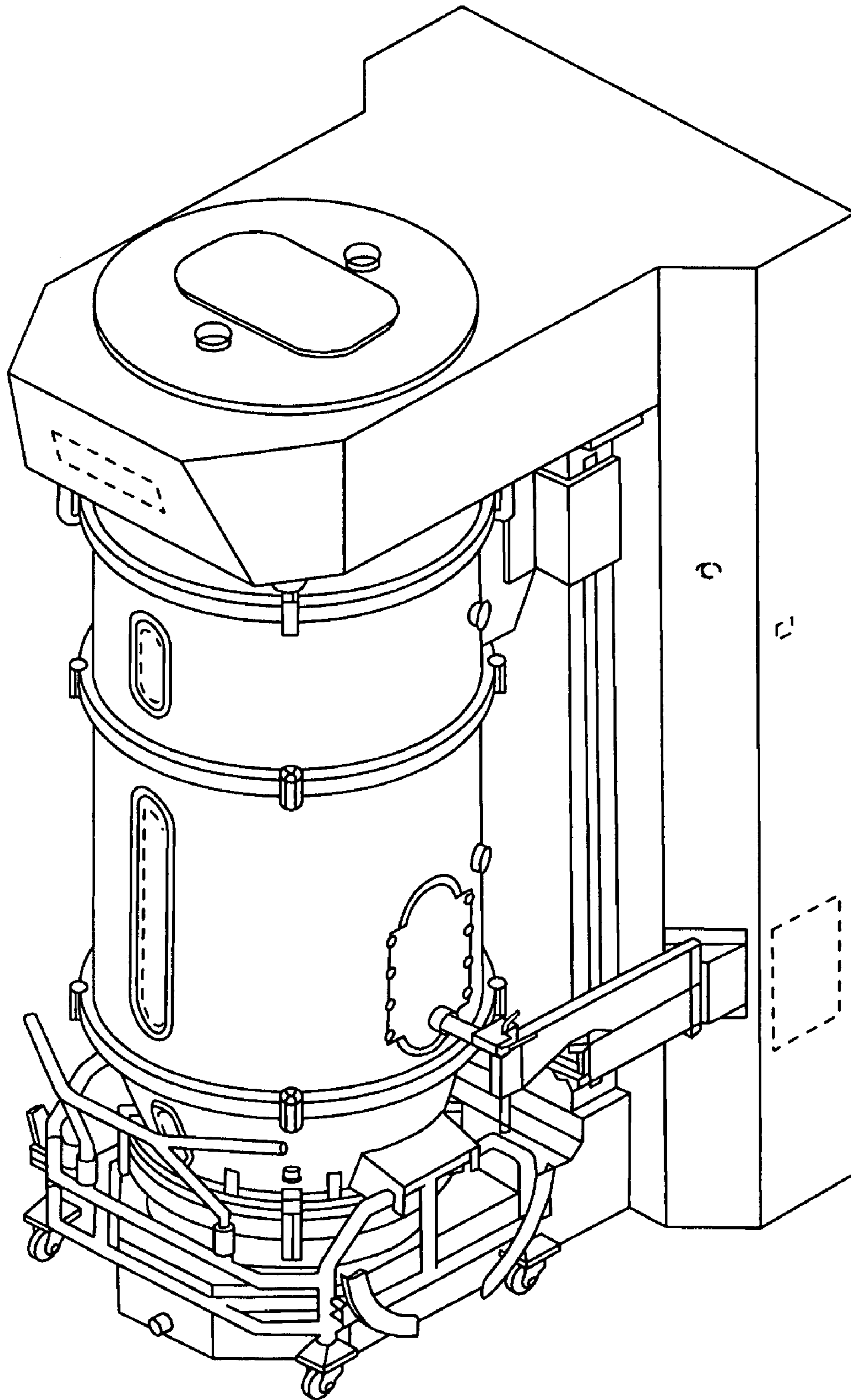


FIG. 1

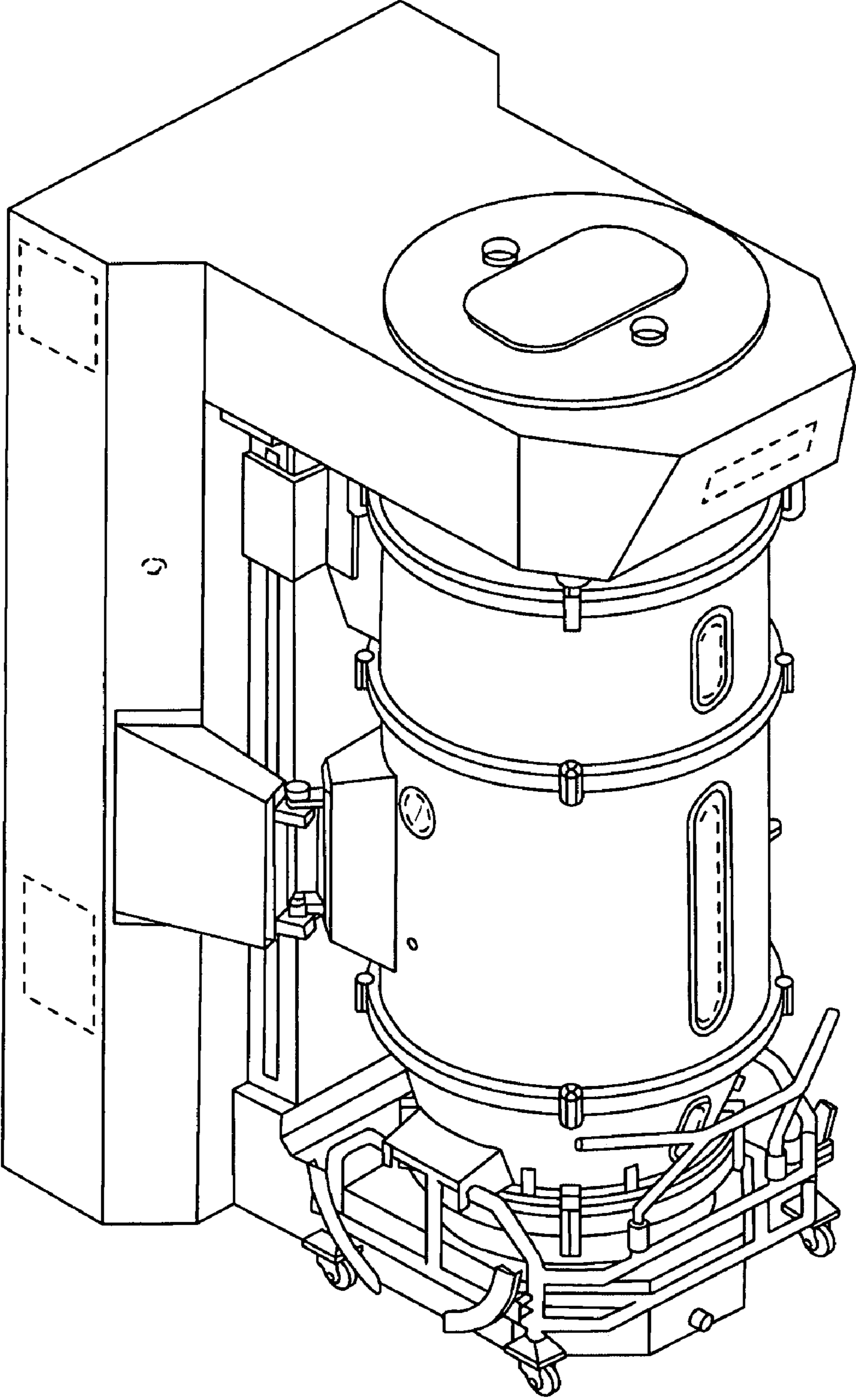


FIG. 2

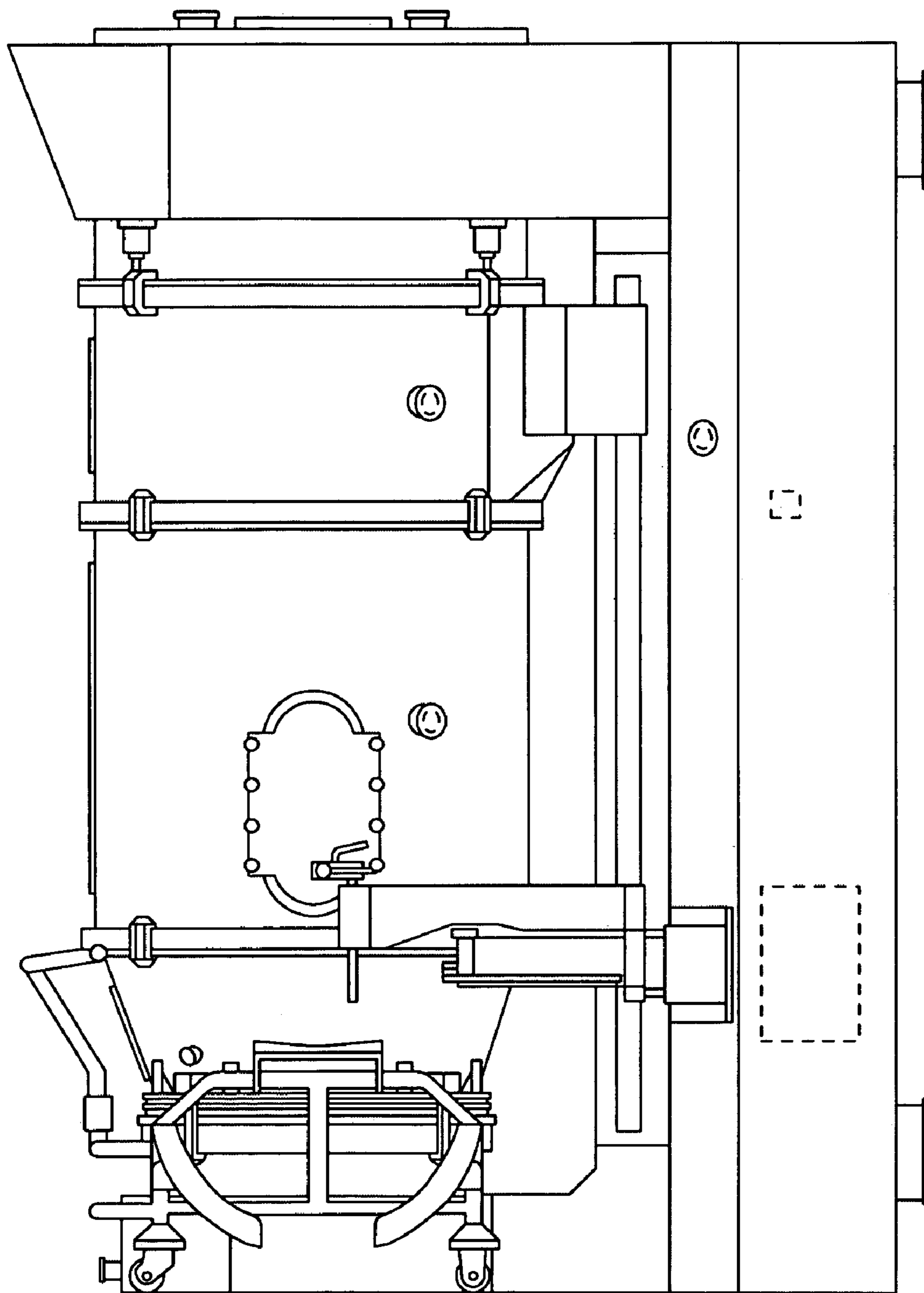


FIG. 3

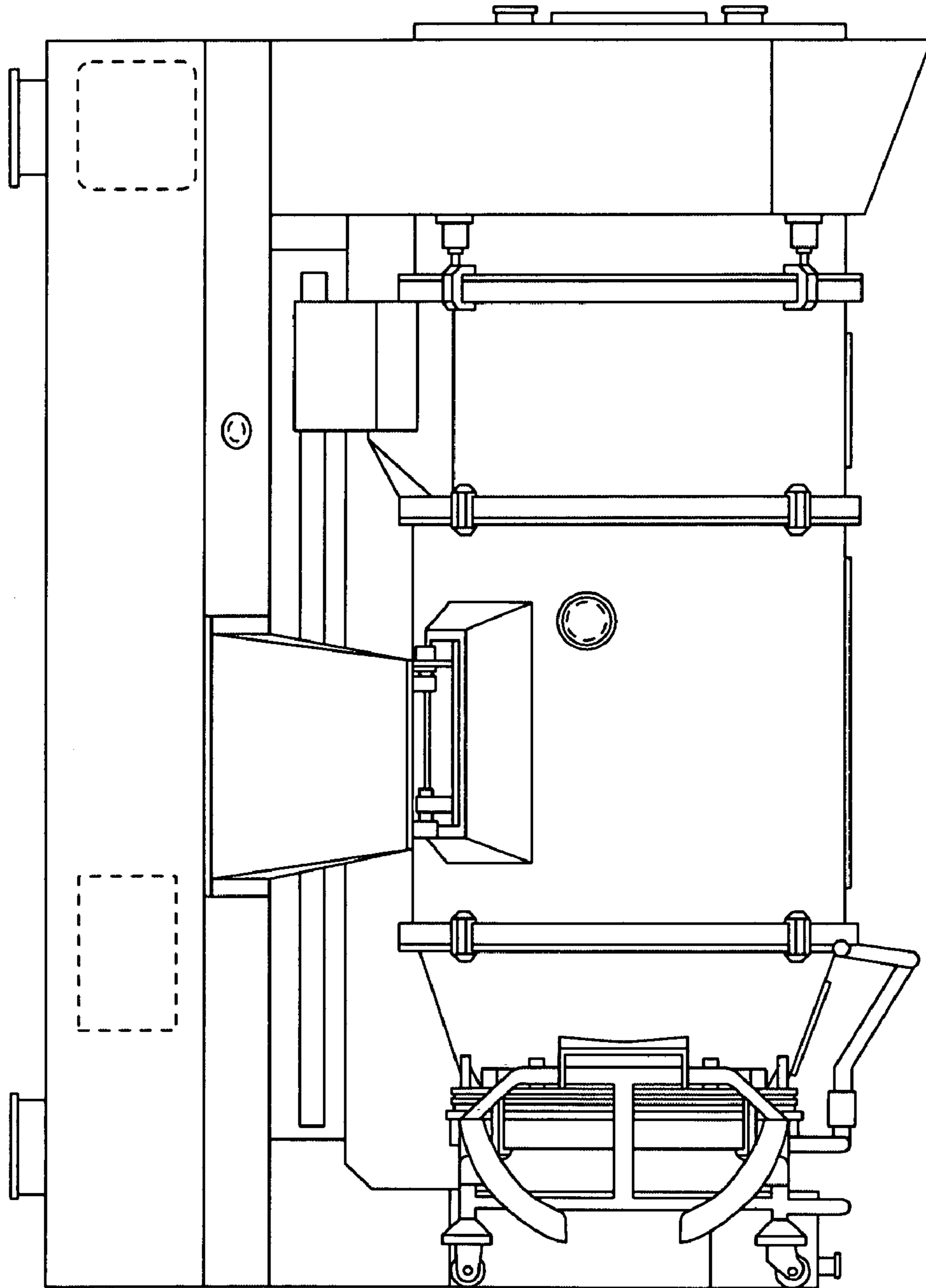


FIG. 4

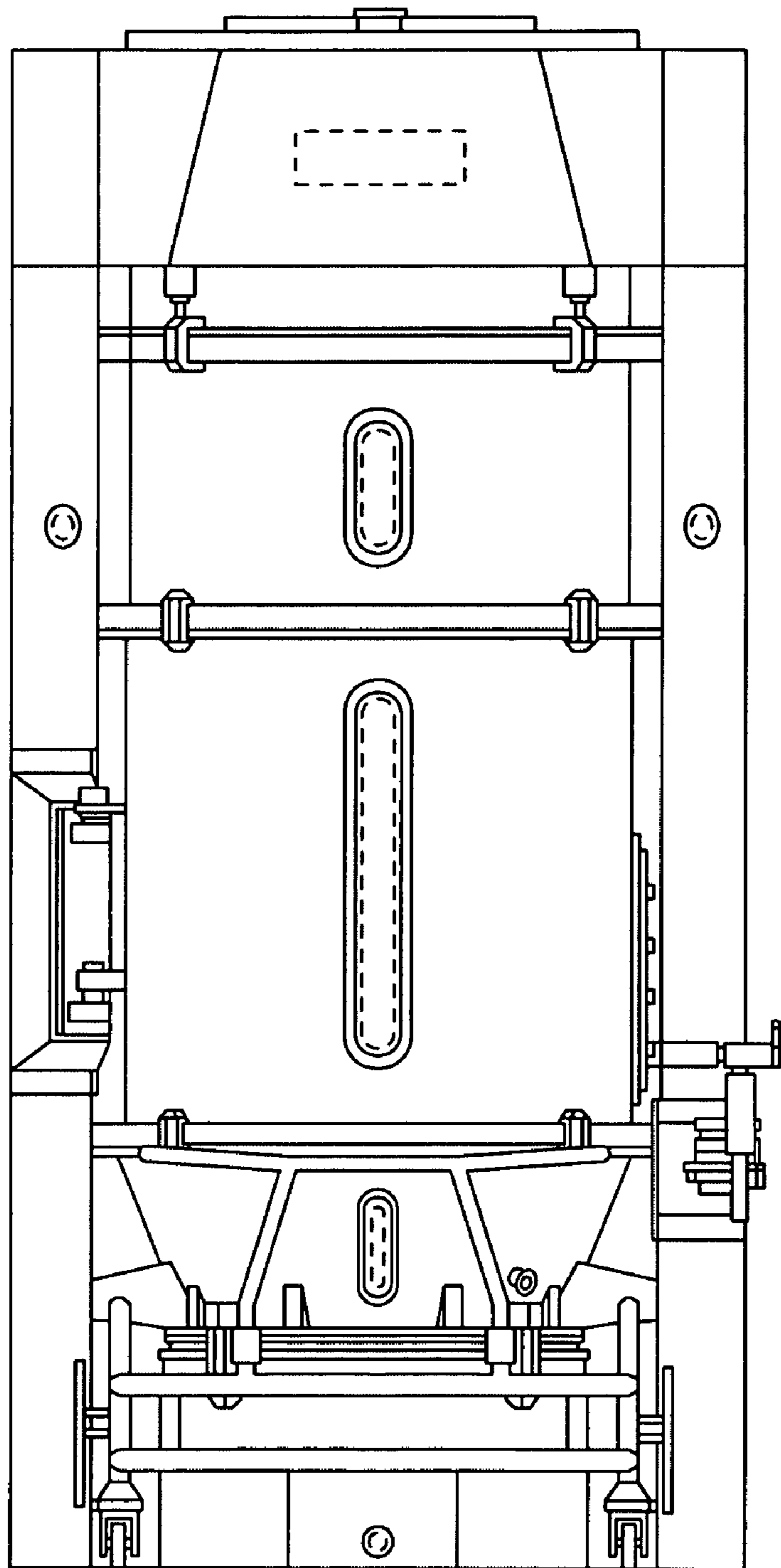


FIG. 5

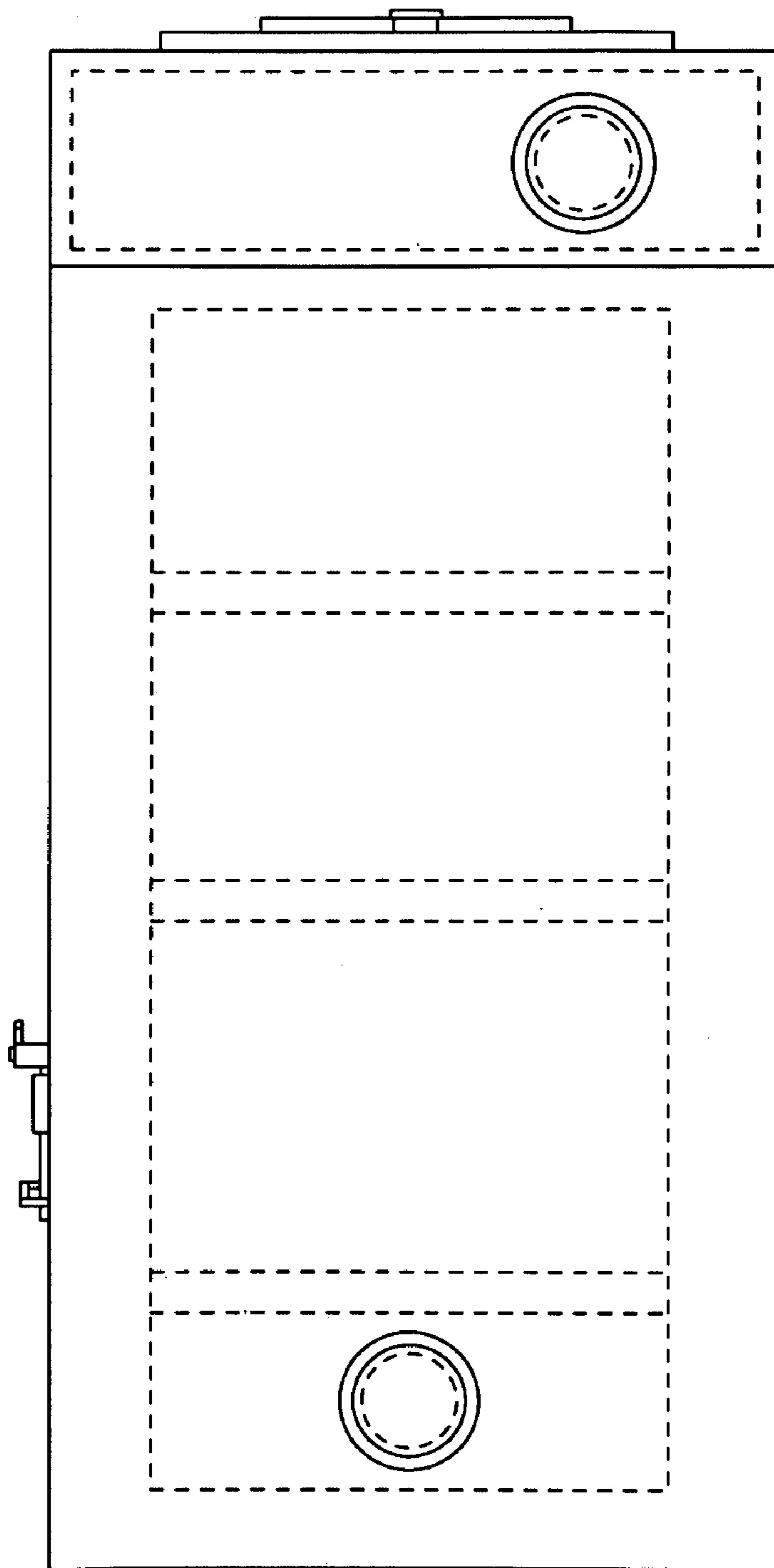


FIG. 6

FIG. 7

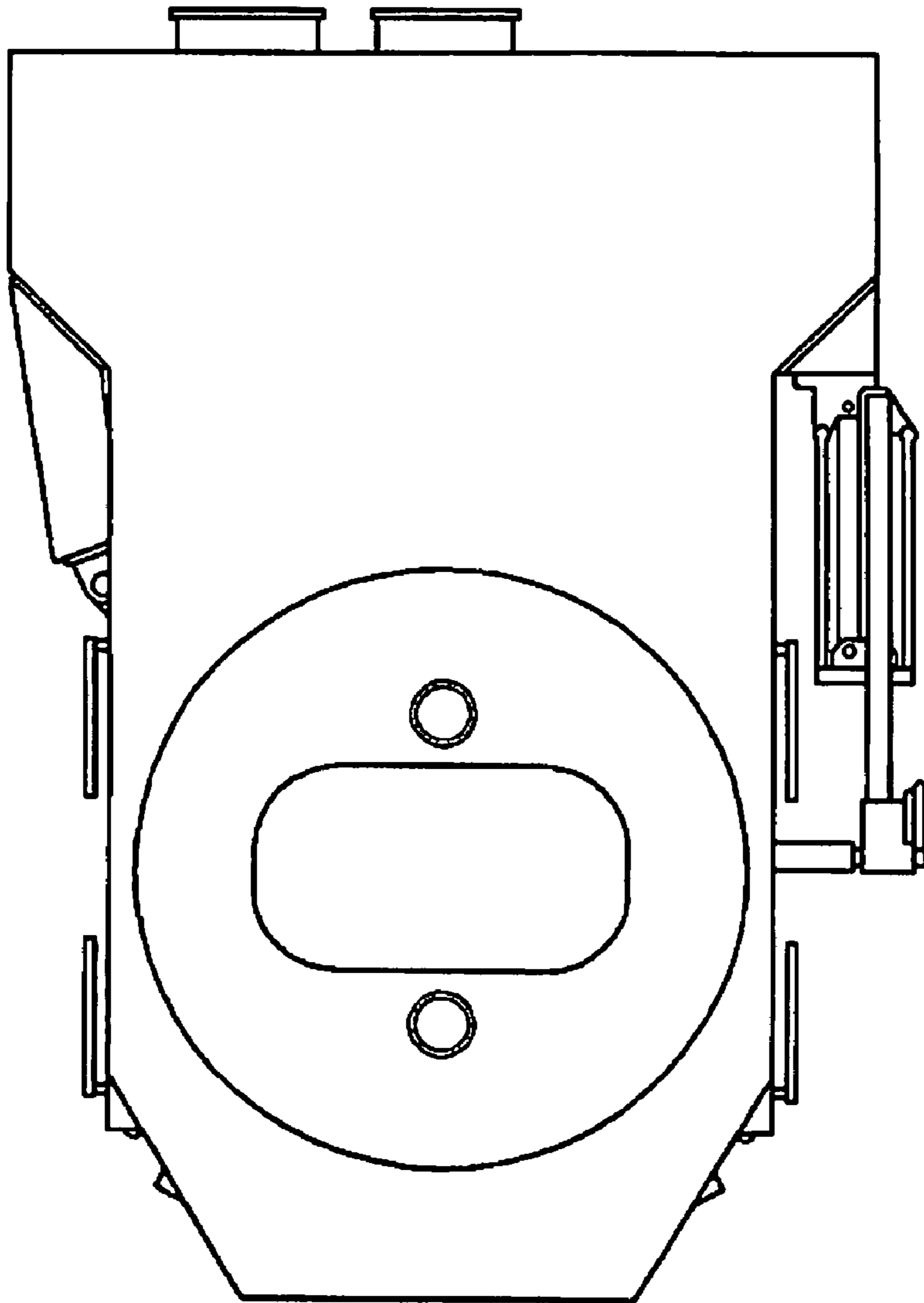


FIG. 8

