



US00D621425S

(12) **United States Design Patent**  
**Mihashi et al.**

(10) **Patent No.:** **US D621,425 S**

(45) **Date of Patent:** **\*\* \*Aug. 10, 2010**

(54) **FLUID PRESSURE CYLINDER**

(75) Inventors: **Koji Mihashi**, Kani (JP); **Takahiko Hara**, Kani (JP); **Yasuhito Takai**, Inuyama (JP)

(73) Assignee: **Kayaba Industry Co., Ltd.**, Tokyo (JP)

(\*) Notice: This patent is subject to a terminal disclaimer.

(\*\*) Term: **14 Years**

(21) Appl. No.: **29/325,016**

(22) Filed: **Sep. 24, 2008**

(30) **Foreign Application Priority Data**

Mar. 27, 2008 (JP) ..... 2008-007724

(51) **LOC (9) Cl.** ..... **15-03**

(52) **U.S. Cl.** ..... **D15/28; D15/143**

(58) **Field of Classification Search** ..... D15/28, D15/138, 143; D12/159; D10/83, 85; D8/499; D23/233; D34/35; 92/169.1, 170.1, 164, 92/165 R; 212/238, 261; 187/344, 345; 248/654, 646, 647

See application file for complete search history.

(56) **References Cited**

**U.S. PATENT DOCUMENTS**

- D16,571 S \* 3/1886 Kenna ..... D8/354
- D136,795 S \* 12/1943 Lear ..... D12/345
- 2,826,467 A \* 3/1958 Ballard ..... 92/164
- D184,544 S \* 3/1959 Von Pessler ..... D15/138
- 2,953,119 A \* 9/1960 Geyer ..... 92/108
- D194,362 S \* 1/1963 Prince ..... D15/28
- D216,825 S \* 3/1970 Hunnicutt et al. .... D15/138
- 3,543,643 A \* 12/1970 Southwell ..... 91/401
- 3,630,120 A \* 12/1971 Carlson et al. .... 91/511
- 3,685,398 A \* 8/1972 Little ..... 92/165 R
- D230,723 S \* 3/1974 Cowan ..... D12/159
- D262,959 S \* 2/1982 Cowan ..... D12/159

- 4,357,858 A \* 11/1982 Wedman ..... 92/128
- D272,315 S \* 1/1984 Valo ..... D8/499
- D288,208 S \* 2/1987 Hawkins ..... D15/138
- 4,658,970 A \* 4/1987 Oliphant ..... 212/294
- 4,671,169 A \* 6/1987 Hillier ..... 92/59
- 4,697,499 A \* 10/1987 Dirkin et al. .... 92/151

(Continued)

*Primary Examiner*—Mark A Goodwin

(74) *Attorney, Agent, or Firm*—Hiroe & Associates; Taras P. Bemko

(57) **CLAIM**

The ornamental design for a fluid pressure cylinder, as shown and described.

**DESCRIPTION**

FIG. 1 is a front view of a fluid pressure cylinder showing our new design;

FIG. 2 is a rear view of the fluid pressure cylinder;

FIG. 3 is a top view of the fluid pressure cylinder;

FIG. 4 is a bottom view of the fluid pressure cylinder;

FIG. 5 is a right side view of the fluid pressure cylinder;

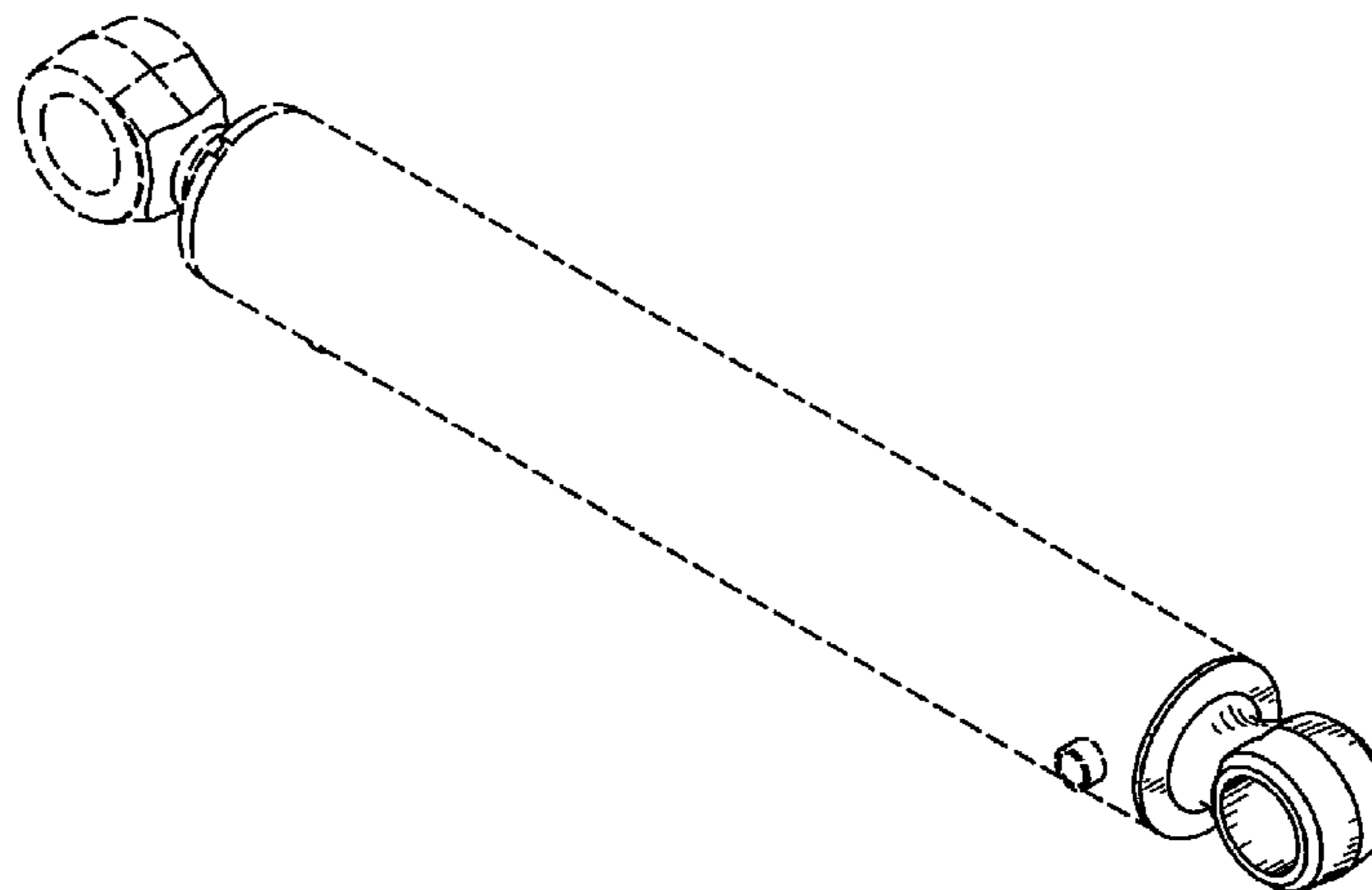
FIG. 6 is a left side view of the fluid pressure cylinder;

FIG. 7 is an enlarged cross-sectional view of the fluid pressure cylinder taken along line 7—7 of FIG. 1; and,

FIG. 8 is a perspective view of the fluid pressure cylinder.

The broken lines in the drawing are for the purpose of illustrating portions of the fluid pressure cylinder that form no part of the claimed design.

**1 Claim, 4 Drawing Sheets**



# US D621,425 S

Page 2

## U.S. PATENT DOCUMENTS

|           |      |         |                  |          |              |      |         |                  |          |
|-----------|------|---------|------------------|----------|--------------|------|---------|------------------|----------|
| 4,941,323 | A *  | 7/1990  | Leigh-Monstevens | 60/589   | D522,090     | S *  | 5/2006  | Matsumoto et al. | D23/233  |
| 5,014,601 | A *  | 5/1991  | Sundholm         | 92/109   | D542,682     | S *  | 5/2007  | Waki             | D10/85   |
| 5,014,603 | A *  | 5/1991  | Navarette et al. | 92/165 R | 7,240,607    | B2 * | 7/2007  | Fish             | 92/169.1 |
| 5,165,324 | A *  | 11/1992 | Maruoka          | 92/171.1 | D553,545     | S *  | 10/2007 | Nygren           | D12/159  |
| D357,951  | S *  | 5/1995  | Chen             | D21/694  | D563,287     | S *  | 3/2008  | Falter et al.    | D12/159  |
| D399,462  | S *  | 10/1998 | Toffolo et al.   | D12/159  | D566,630     | S *  | 4/2008  | Ortiz            | D12/159  |
| D434,707  | S *  | 12/2000 | Bauer            | D12/159  | 7,350,453    | B1 * | 4/2008  | Bailey et al.    | 92/128   |
| D456,827  | S *  | 5/2002  | Butts            | D15/143  | 2003/0116012 | A1 * | 6/2003  | Mickelson        | 92/164   |
| 6,805,039 | B2 * | 10/2004 | Kau              | 92/169.1 | 2004/0094033 | A1 * | 5/2004  | Kau              | 92/169.1 |
| D500,258  | S *  | 12/2004 | Kita et al.      | D10/85   | 2005/0263001 | A1 * | 12/2005 | Alrefai          | 92/164   |
| D500,259  | S *  | 12/2004 | Kita et al.      | D10/85   | 2007/0012174 | A1 * | 1/2007  | Fish             | 92/170.1 |

\* cited by examiner

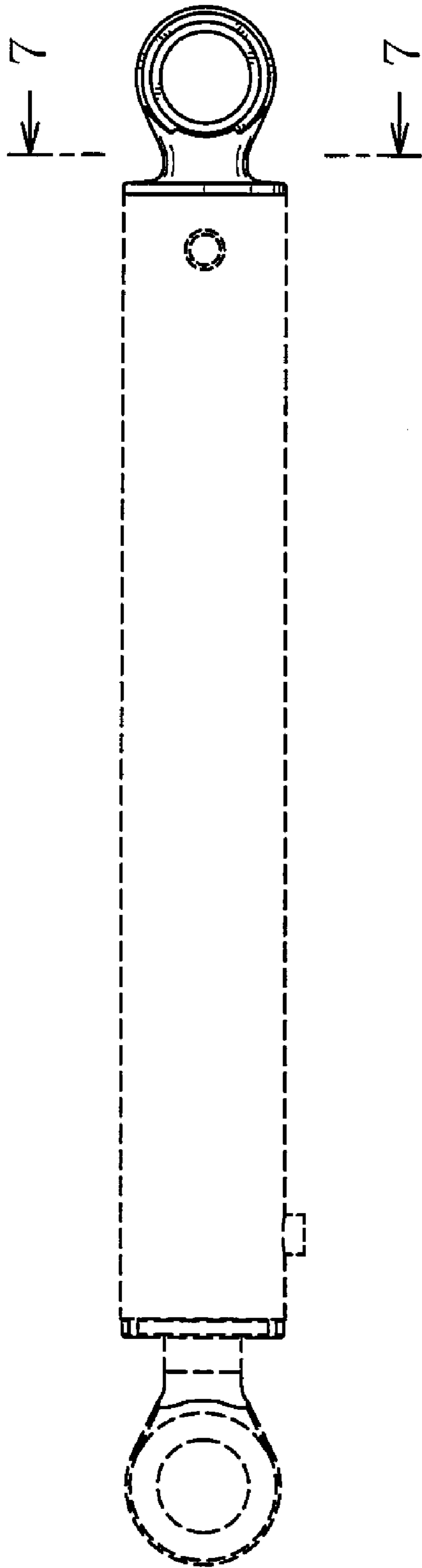


Fig. 1

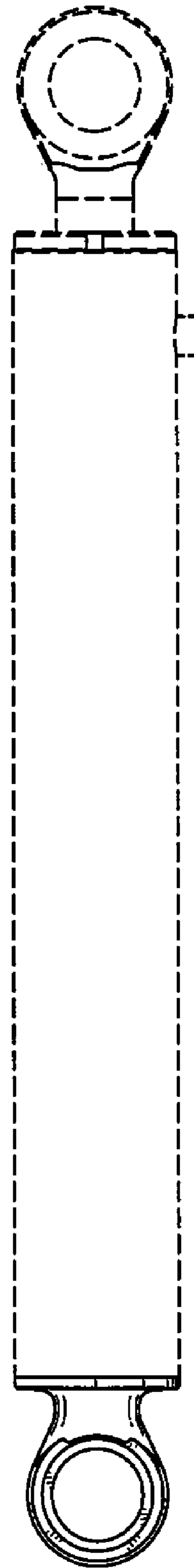


Fig. 2

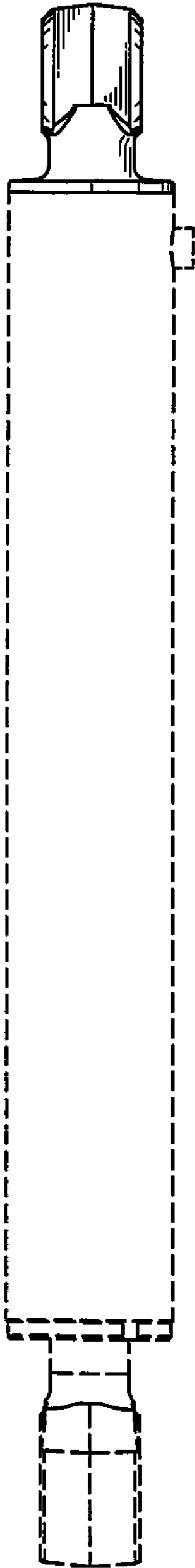


Fig. 3

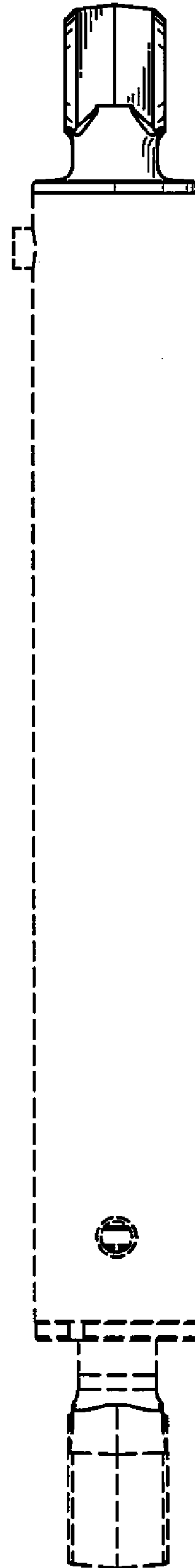


Fig. 4

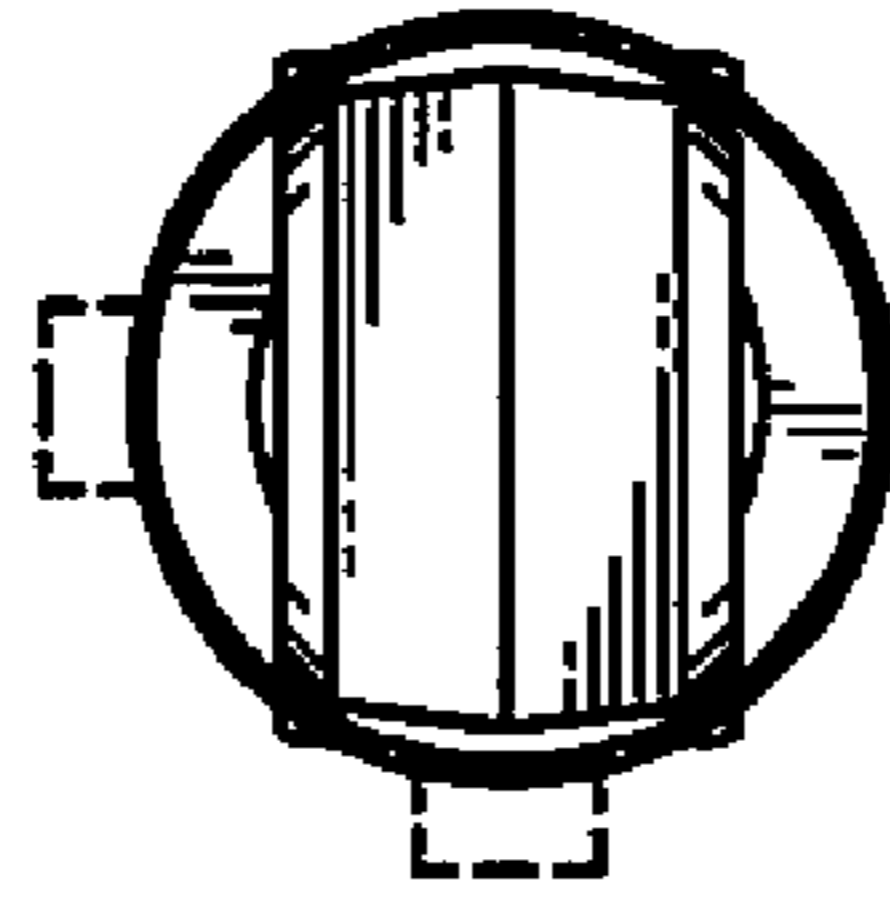


Fig. 5

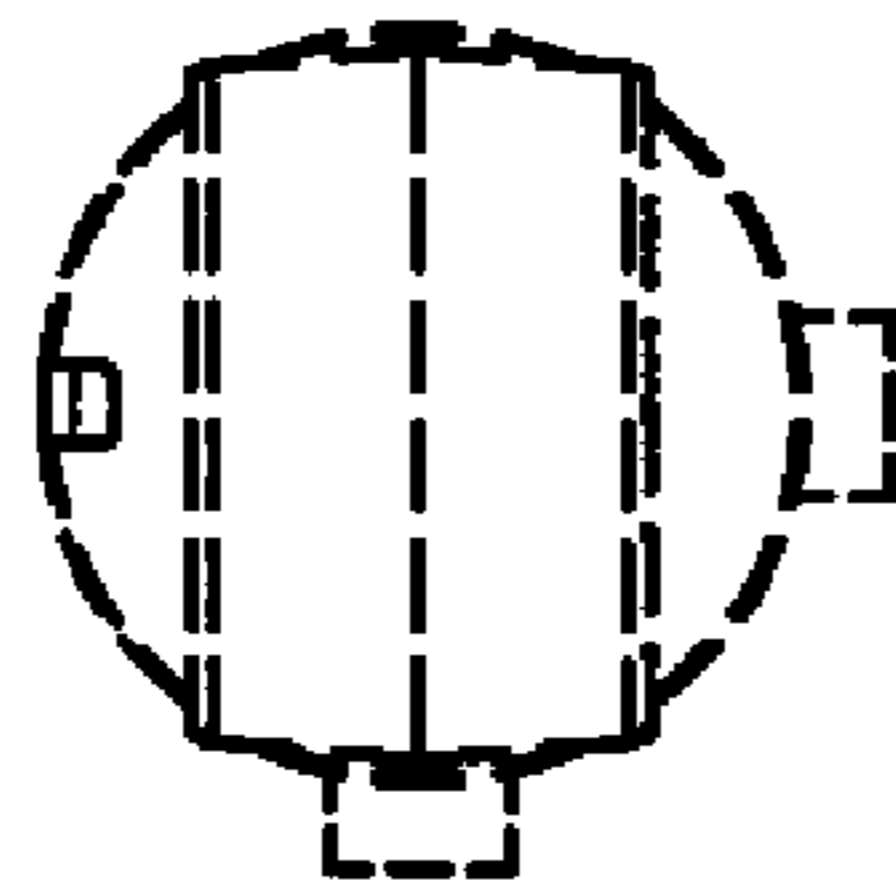


Fig. 6

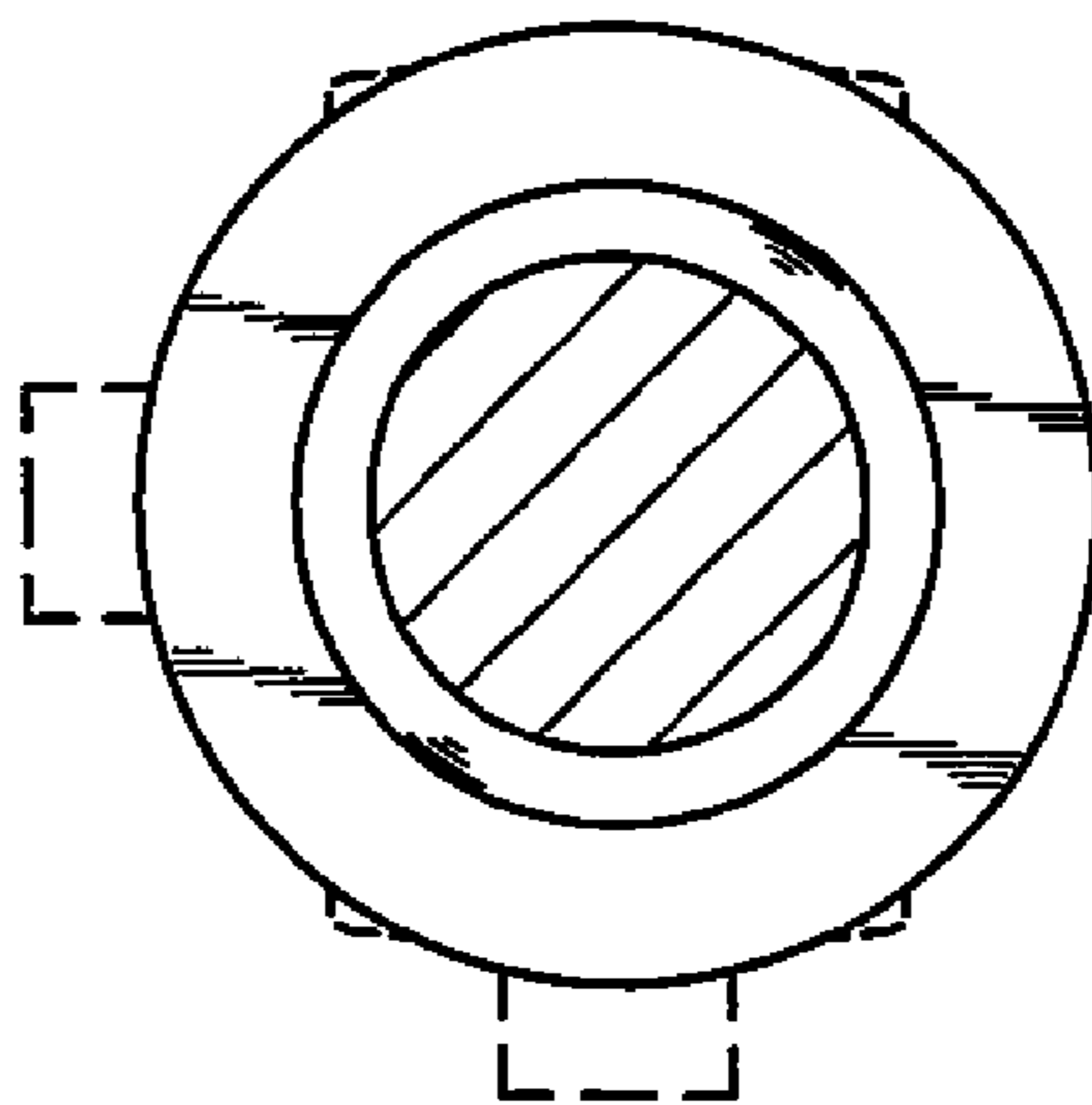


Fig. 7

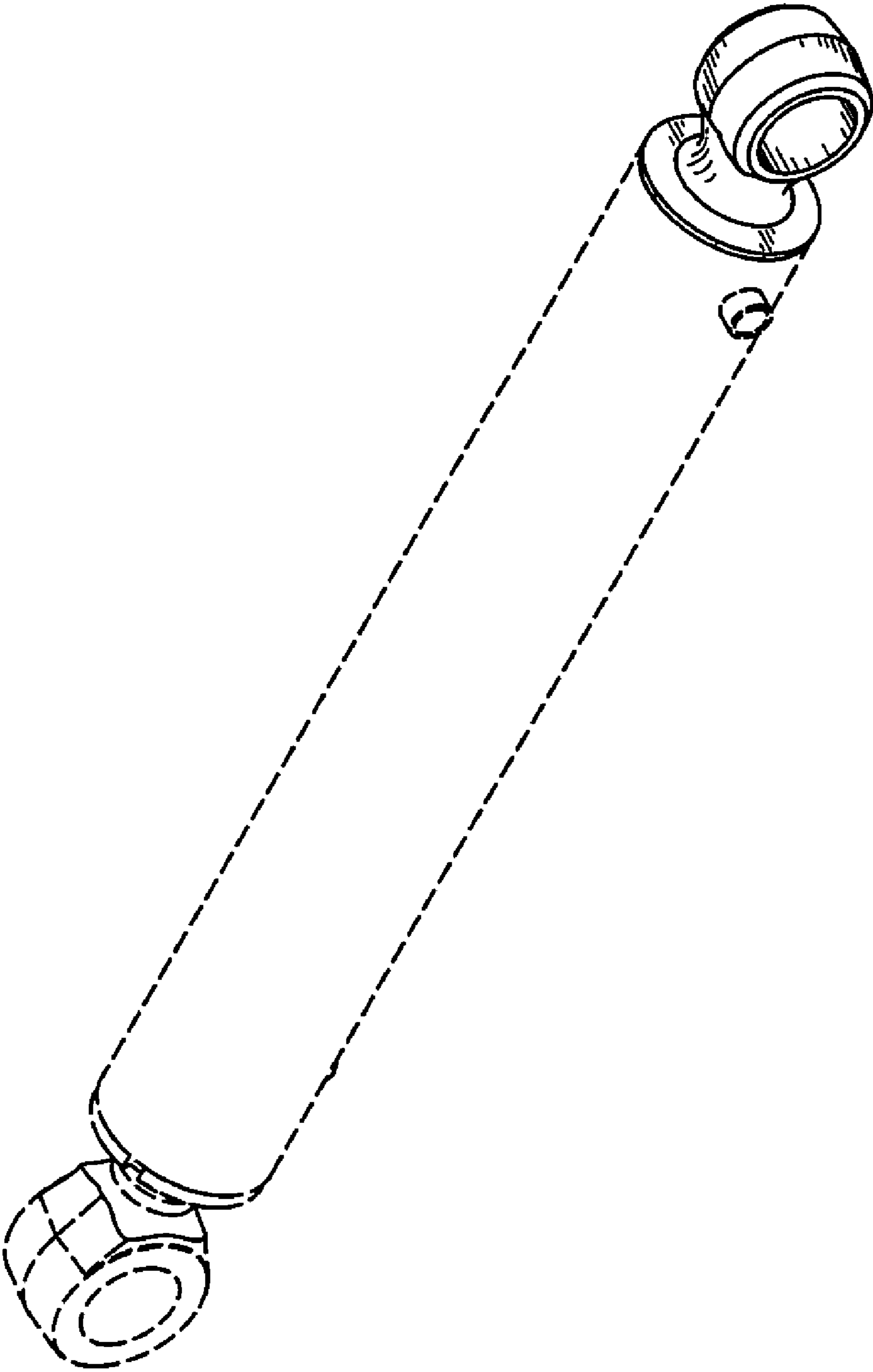


Fig. 8