



US00D621422S

(12) **United States Design Patent**
Loew et al.

(10) **Patent No.:** **US D621,422 S**

(45) **Date of Patent:** **** *Aug. 10, 2010**

(54) **COMPACTOR**

(75) Inventors: **Roland Loew**, Klein-Winternheim (DE);
Joachim Ponstein, Gondershausen (DE)

(73) Assignee: **Bomag GmbH**, Boppard (DE)

(*) Notice: This patent is subject to a terminal disclaimer.

(**) Term: **14 Years**

(21) Appl. No.: **29/332,646**

(22) Filed: **Feb. 20, 2009**

(30) **Foreign Application Priority Data**

Aug. 22, 2008 (EM) 000990627-0005
Aug. 22, 2008 (EM) 000990627-0006

(51) **LOC (9) Cl.** **15-03**

(52) **U.S. Cl.** **D15/20**

(58) **Field of Classification Search** D15/20;
180/20, 89.12; 404/121, 124, 89
See application file for complete search history.

(56) **References Cited**

U.S. PATENT DOCUMENTS

2,777,709 A * 1/1957 Tucker 280/104
D185,841 S * 8/1959 Schertzer D15/20

D189,290 S * 11/1960 Clapper D15/20
3,298,292 A * 1/1967 Wylie 404/122
D231,481 S * 4/1974 Carnahan D15/20
D275,678 S * 9/1984 Mawhorr et al. D15/20
D396,727 S * 8/1998 Geier et al. D15/20
D454,141 S * 3/2002 Geier et al. D15/20
D461,197 S * 8/2002 Geier et al. D15/20
D573,611 S * 7/2008 Geier D15/20

* cited by examiner

Primary Examiner—Ian Simmons

Assistant Examiner—Mark A Goodwin

(74) *Attorney, Agent, or Firm*—Baker & Hostetler LLP

(57) **CLAIM**

The ornamental design for a compactor, as shown and described.

DESCRIPTION

FIG. 1 is a perspective view of a compactor showing our new design;

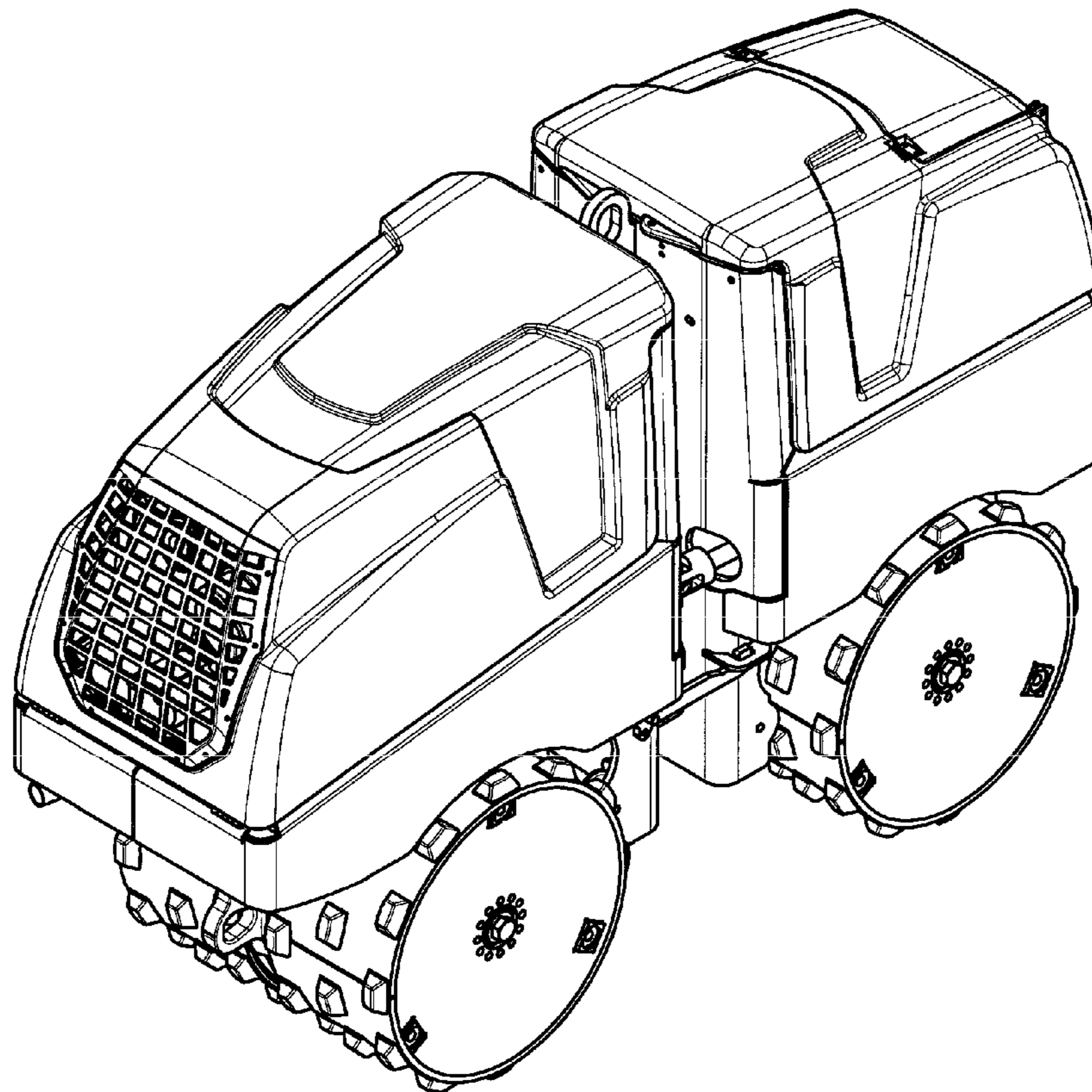
FIG. 2 is a right side view thereof;

FIG. 3 is a front view thereof;

FIG. 4 is a top view thereof; and,

FIG. 5 is a rear view thereof.

1 Claim, 5 Drawing Sheets



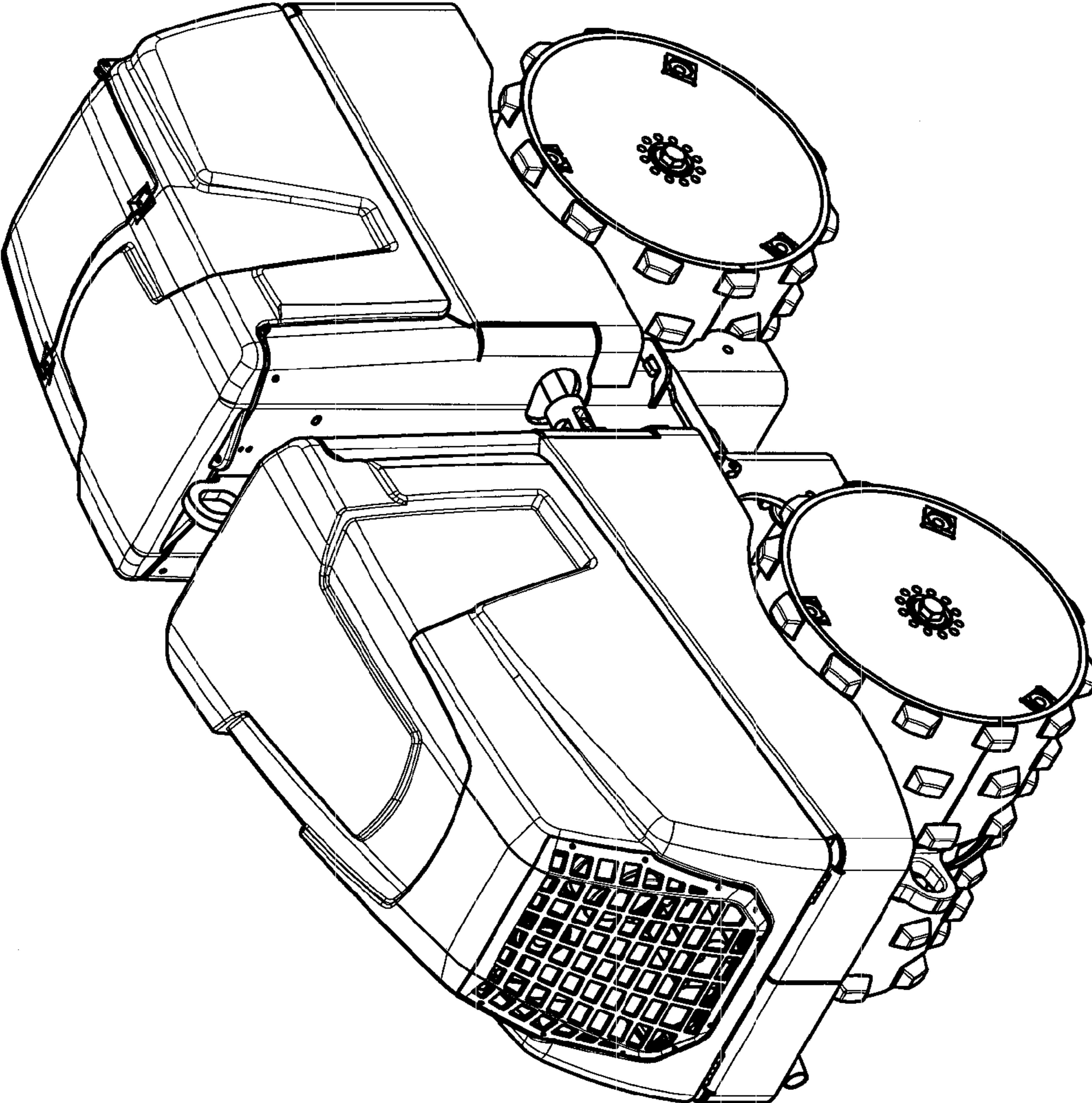


FIG. 1

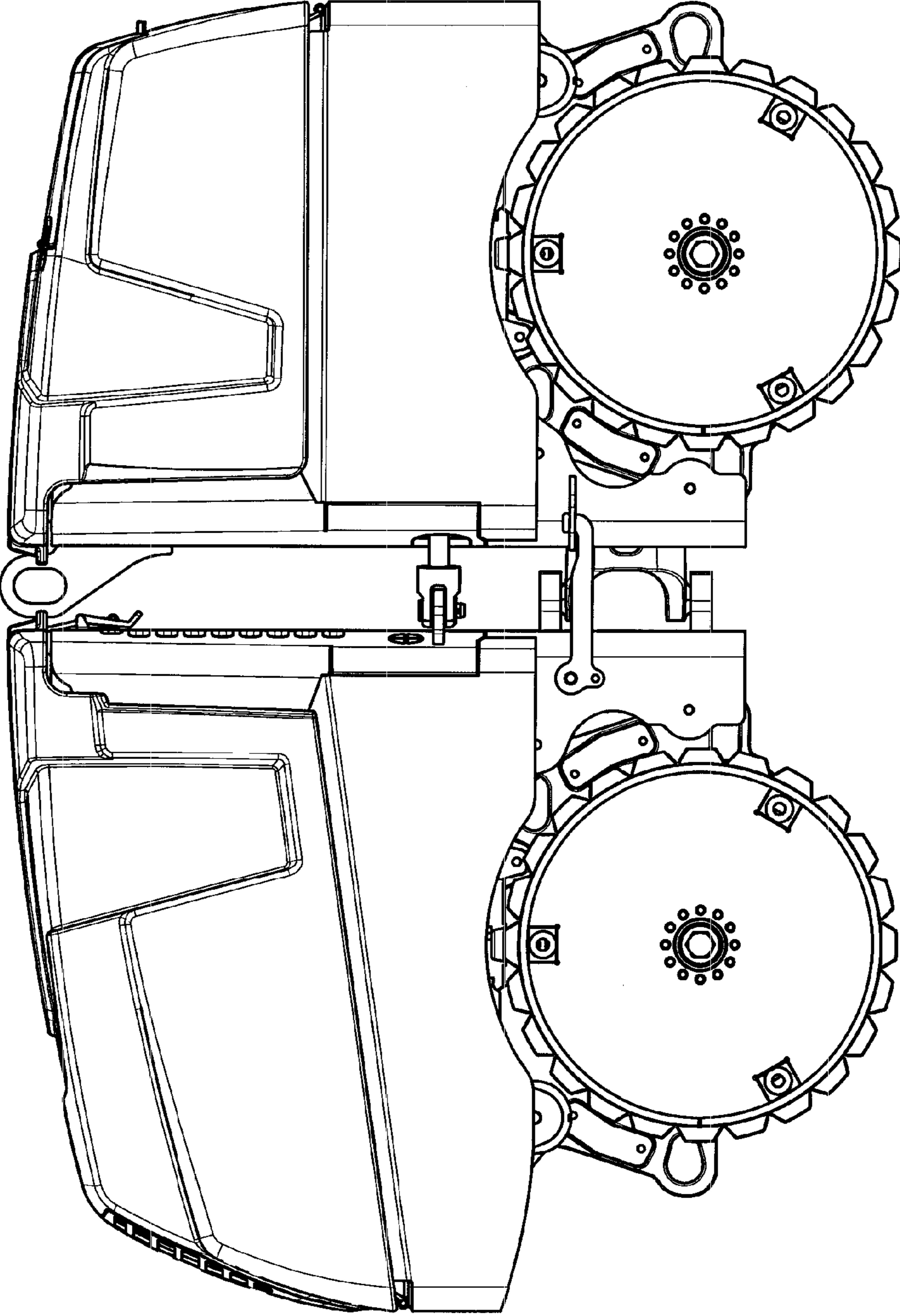


FIG. 2

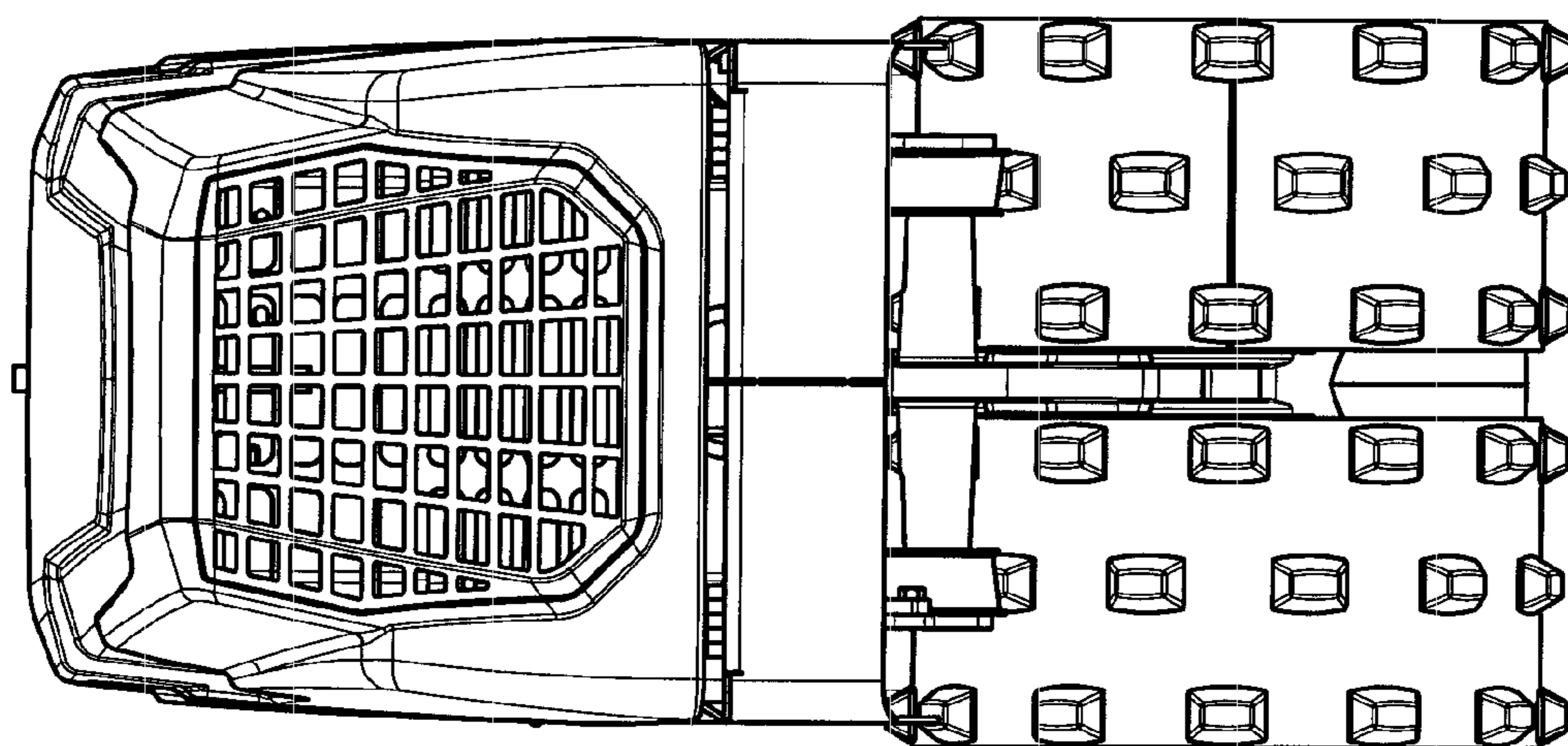


FIG. 3

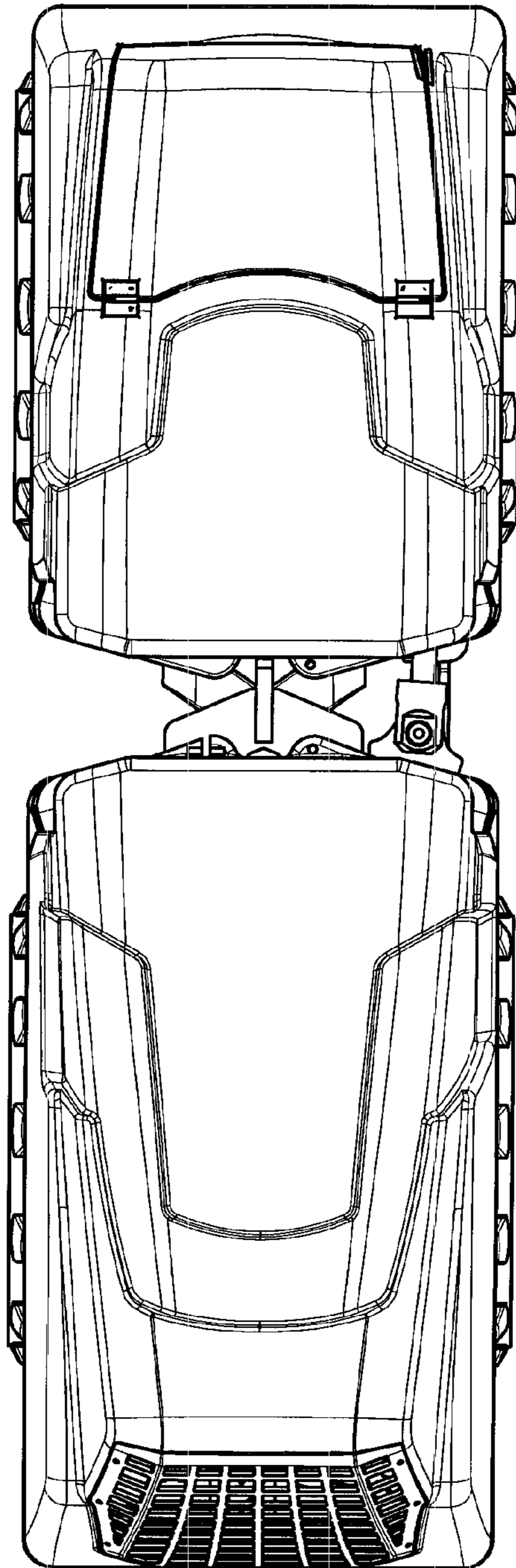


FIG. 4

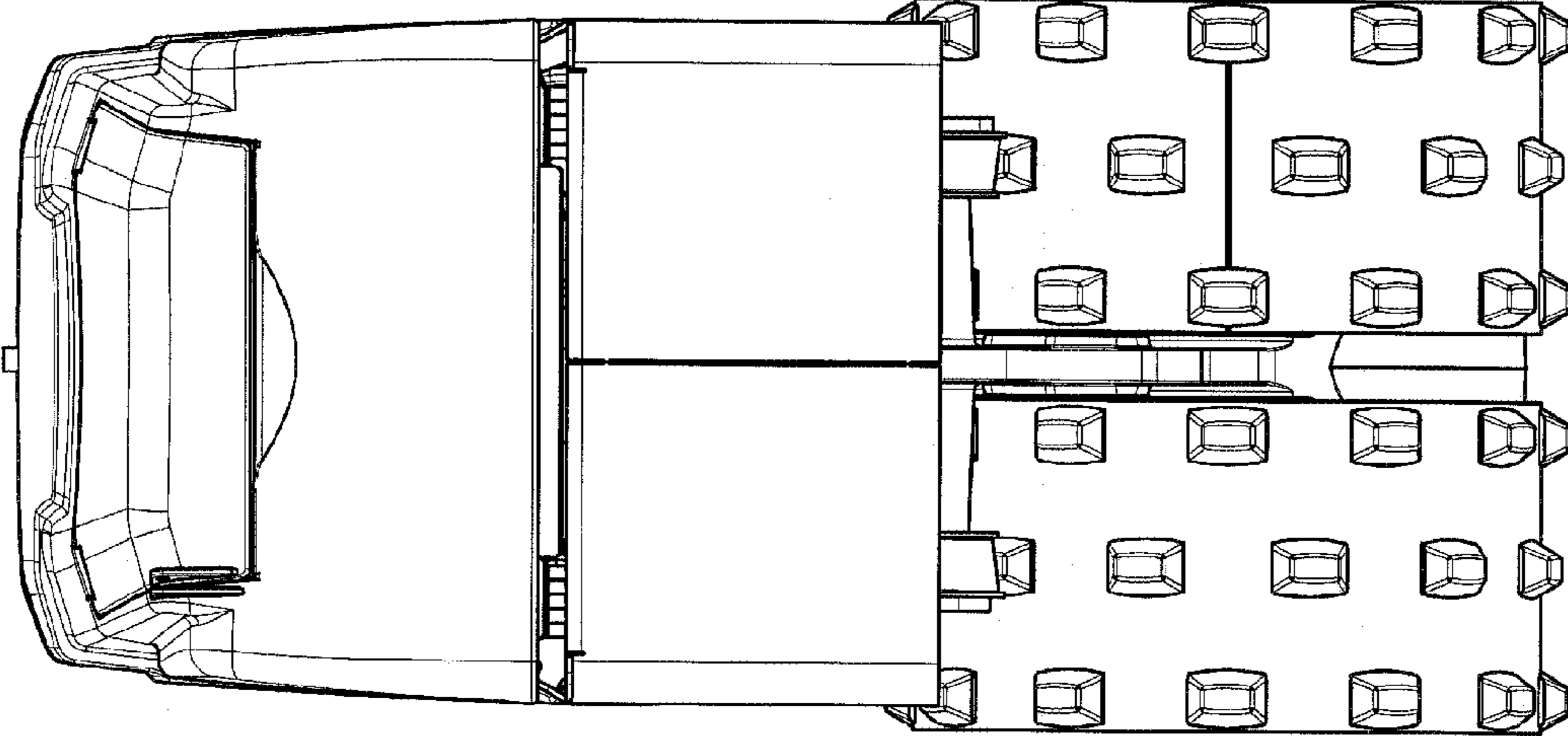


FIG. 5