



US00D621421S

(12) **United States Design Patent**
Falk

(10) **Patent No.:** **US D621,421 S**

(45) **Date of Patent:** **** Aug. 10, 2010**

(54) **SPADING VERTICAL-TILLAGE TOOL
COMPRISED OF MULTIPLE DISK BLADES**

5,297,637 A * 3/1994 Rowlett 172/604

(76) **Inventor:** **Henry J. Falk**, 2079 Edwards Rd.,
Effingham, KS (US) 66023

(Continued)

(**) **Term:** **14 Years**

OTHER PUBLICATIONS

(21) **Appl. No.:** **29/295,387**

Osmundson Mfg. Co., "Osmundson Tillage Tools, Serriator", www.osmundson.com/catalog/detail.asp?itemno=49&mn=, Copyright 2000.

(22) **Filed:** **Sep. 27, 2007**

(Continued)

(51) **LOC (9) Cl.** **15-03**

(52) **U.S. Cl.** **D15/11; D15/27**

(58) **Field of Classification Search** D15/11,
D15/29, 27, 21; D12/135; 111/163, 167-169;
172/604, 532, 558, 599, 166, 555; 56/255,
56/295

Primary Examiner—Mark A Goodwin

(74) *Attorney, Agent, or Firm*—Mark B. Brown

See application file for complete search history.

(57) **CLAIM**

The ornamental design for a spading vertical-tillage tool comprised of multiple disk blades.

(56) **References Cited**

DESCRIPTION

U.S. PATENT DOCUMENTS

D16,819 S *	7/1886	Dow	D15/29
409,818 A *	8/1889	Bell	172/555
D29,342 S *	9/1898	McGuire et al.	D15/29
672,536 A *	4/1901	Newton	172/604
1,663,239 A *	3/1928	Bucknam	172/604
1,954,783 A *	4/1934	Bohmker	172/599
D141,451 S *	6/1945	Stoner	D15/29
2,747,493 A *	5/1956	Noll	172/604
3,213,514 A *	10/1965	Evans	29/14
3,739,856 A *	6/1973	Ray	172/21
4,043,404 A *	8/1977	Sorlie et al.	172/555
4,070,974 A *	1/1978	Stacy, Jr.	111/169
4,099,576 A *	7/1978	Jilani	172/555
D260,264 S	8/1981	Carlsson et al.		
4,289,081 A	9/1981	Koronka		
D264,675 S *	6/1982	Inaga et al.	D8/20
4,359,104 A	11/1982	Haapala		
4,373,590 A	2/1983	Wittrock		
4,396,070 A *	8/1983	Brandner et al.	172/572
4,538,688 A	9/1985	Szucs et al.		
D308,974 S	7/1990	Bruce et al.		
5,152,349 A	10/1992	Roden		

FIG. 1 is a right side elevational view of a spading vertical-tillage tool comprised of multiple disk blades showing my new design in unassembled condition for ease of illustration, the left side elevational view being a mirror image thereof;

FIG. 2 is a front elevational view thereof taken along sightline 2 of FIG. 1; the rear view being a mirror image thereof;

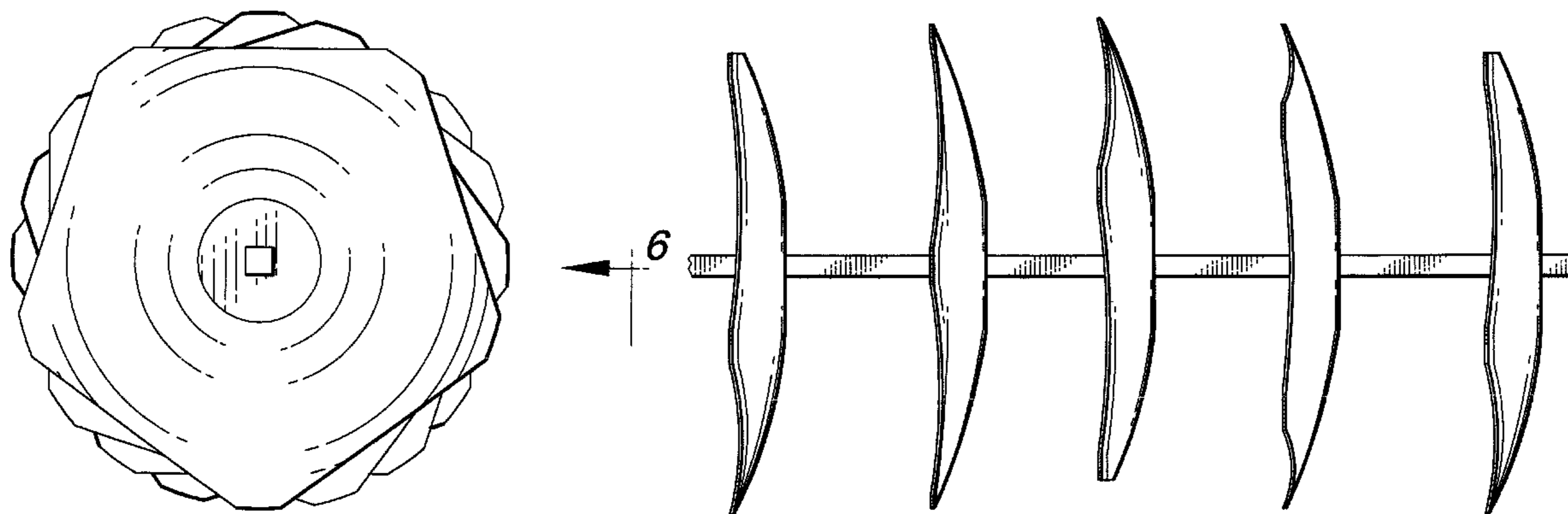
FIG. 3 is a bottom plan view thereof taken along sightline 3 of FIG. 1;

FIG. 4 is a top plan view thereof taken along sightline 4 of FIG. 1;

FIG. 5 is a right side elevational view of a spading vertical-tillage tool comprised of multiple disk blades showing my new design in assembled condition; and,

FIG. 6 is a front elevational view thereof taken along sightline 6 of FIG. 5; the other elevational views are mirror images thereof.

1 Claim, 4 Drawing Sheets



US D621,421 S

Page 2

U.S. PATENT DOCUMENTS

5,351,634	A *	10/1994	Patton	111/77	D469,447	S *	1/2003	Stark	D15/29
5,398,625	A	3/1995	Johnson et al.		6,530,334	B2	3/2003	Hagny	
5,443,023	A	8/1995	Carroll		6,554,079	B2 *	4/2003	Bruce	172/604
5,494,339	A	2/1996	Johnson et al.		6,666,155	B2	12/2003	Paluch et al.	
5,495,897	A *	3/1996	Javerlhac	172/604	6,761,120	B2	7/2004	Kovach et al.	
5,497,717	A	3/1996	Martin		6,763,896	B1	7/2004	Hurtis	
5,620,055	A *	4/1997	Javerlhac	172/604	6,907,833	B2	6/2005	Thompson et al.	
5,623,997	A	4/1997	Rawson et al.		7,017,675	B2	3/2006	Ankenman et al.	
D379,464	S *	5/1997	Bruns	D15/29	D518,491	S	4/2006	Vaughn	
5,645,000	A	7/1997	Carroll		D523,026	S	6/2006	Vaughn	
5,649,602	A	7/1997	Bruce		D523,448	S	6/2006	Jackson	
5,657,707	A	8/1997	Dresher et al.		D524,328	S	7/2006	Sheperd	
5,676,429	A	10/1997	Johnson et al.		7,107,917	B2	9/2006	Summach et al.	
5,782,307	A	7/1998	Forsyth		7,143,836	B2	12/2006	Dietrich, Sr.	
5,855,246	A	1/1999	Bruce		7,143,837	B2	12/2006	Dietrich, Sr.	
5,875,855	A *	3/1999	Bruns et al.	172/510					
5,896,932	A	4/1999	Bruns et al.						
6,119,608	A	9/2000	Peterson et al.						
6,314,897	B1	11/2001	Hagny						
D467,944	S *	12/2002	Stark	D15/29					

OTHER PUBLICATIONS

Great Plains Mfg., "Turbo Till", www.greatplainsmfg.com, Jan. 25, 2007.

* cited by examiner

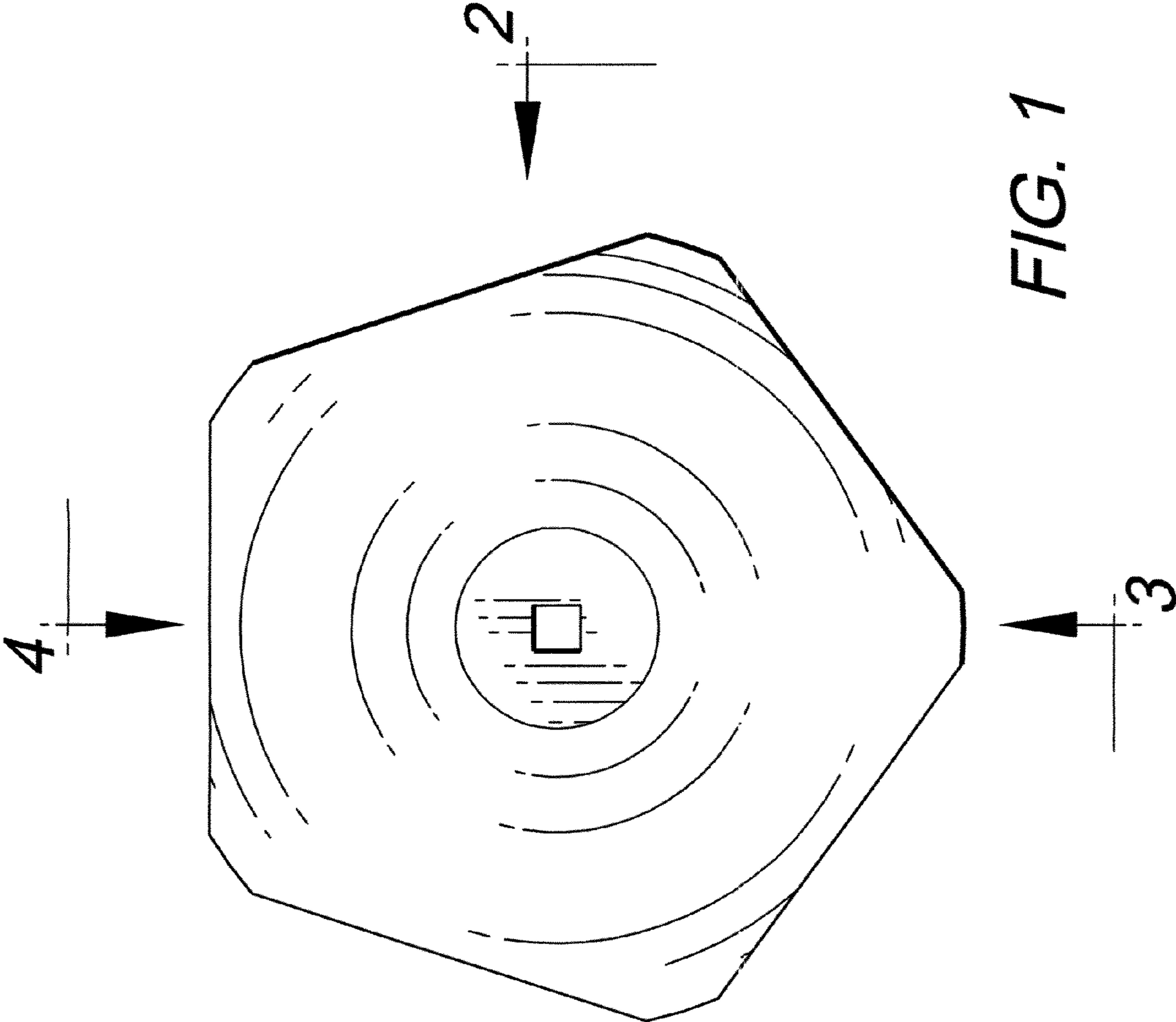


FIG. 1

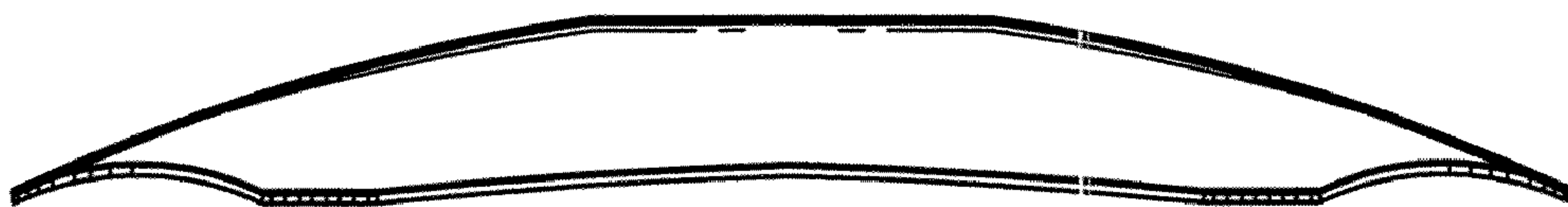


FIG. 2



FIG. 3

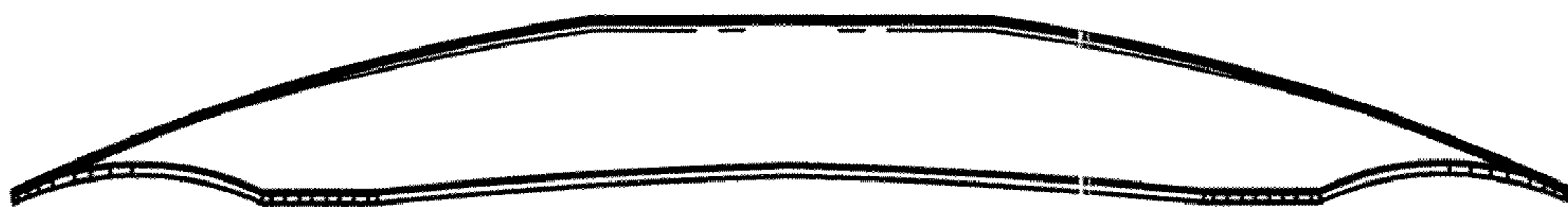


FIG. 4

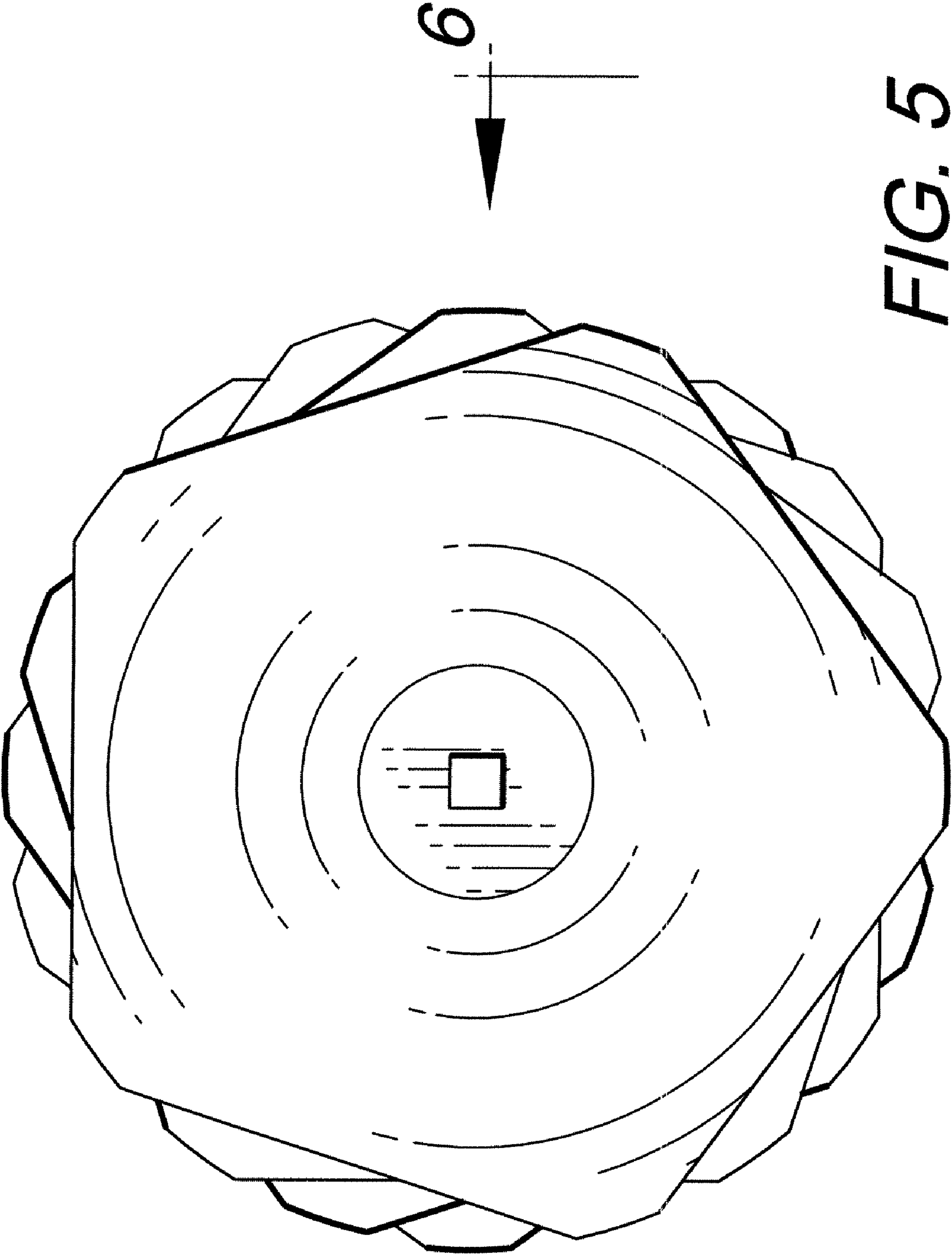


FIG. 5

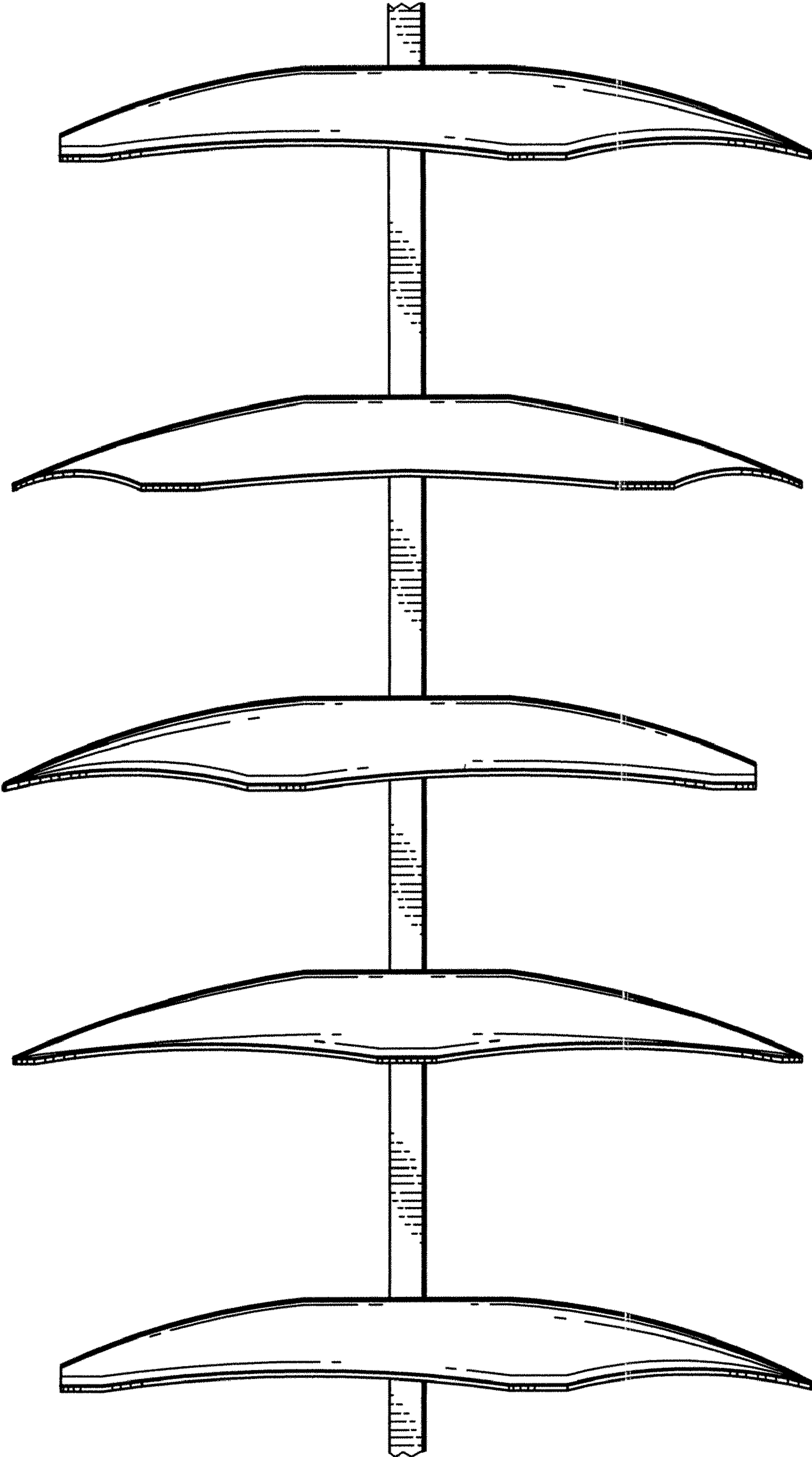


FIG. 6