



US00D621419S

(12) **United States Design Patent**
Sodergard

(10) **Patent No.:** **US D621,419 S**

(45) **Date of Patent:** **** Aug. 10, 2010**

(54) **PUMP**

(75) Inventor: **Bengt Sodergard**, Upplands Vasby (SE)

(73) Assignee: **ITT Manufacturing Enterprises, Inc.**,
Wilmington, DE (US)

(**) Term: **14 Years**

(21) Appl. No.: **29/323,497**

(22) Filed: **Aug. 26, 2008**

(30) **Foreign Application Priority Data**

Feb. 26, 2008 (EM) 000885967-0001
Feb. 26, 2008 (EM) 000885967-0002

(51) **LOC (9) Cl.** **15-02**

(52) **U.S. Cl.** **D15/7**

(58) **Field of Classification Search** D15/7-9;
D23/231, 232, 225; 417/410.1, 359, 415-416,
417/234, 321, 265, 405

See application file for complete search history.

(56) **References Cited**

U.S. PATENT DOCUMENTS

D436,603 S * 1/2001 Mackie et al. D15/9
D582,441 S * 12/2008 Shimomura et al. D15/7

* cited by examiner

Primary Examiner—Ralf Seifert
(74) *Attorney, Agent, or Firm*—Pepper Hamilton LLP

(57) **CLAIM**

The ornamental design for a pump, as shown and described.

DESCRIPTION

FIG. 1 is a first perspective view of a pump in accordance with a first embodiment thereof;

FIG. 2 is a second perspective view in accordance with the first embodiment thereof;

FIG. 3 is a first side view in accordance with the first embodiment thereof;

FIG. 4 is a second side view in accordance with the first embodiment thereof;

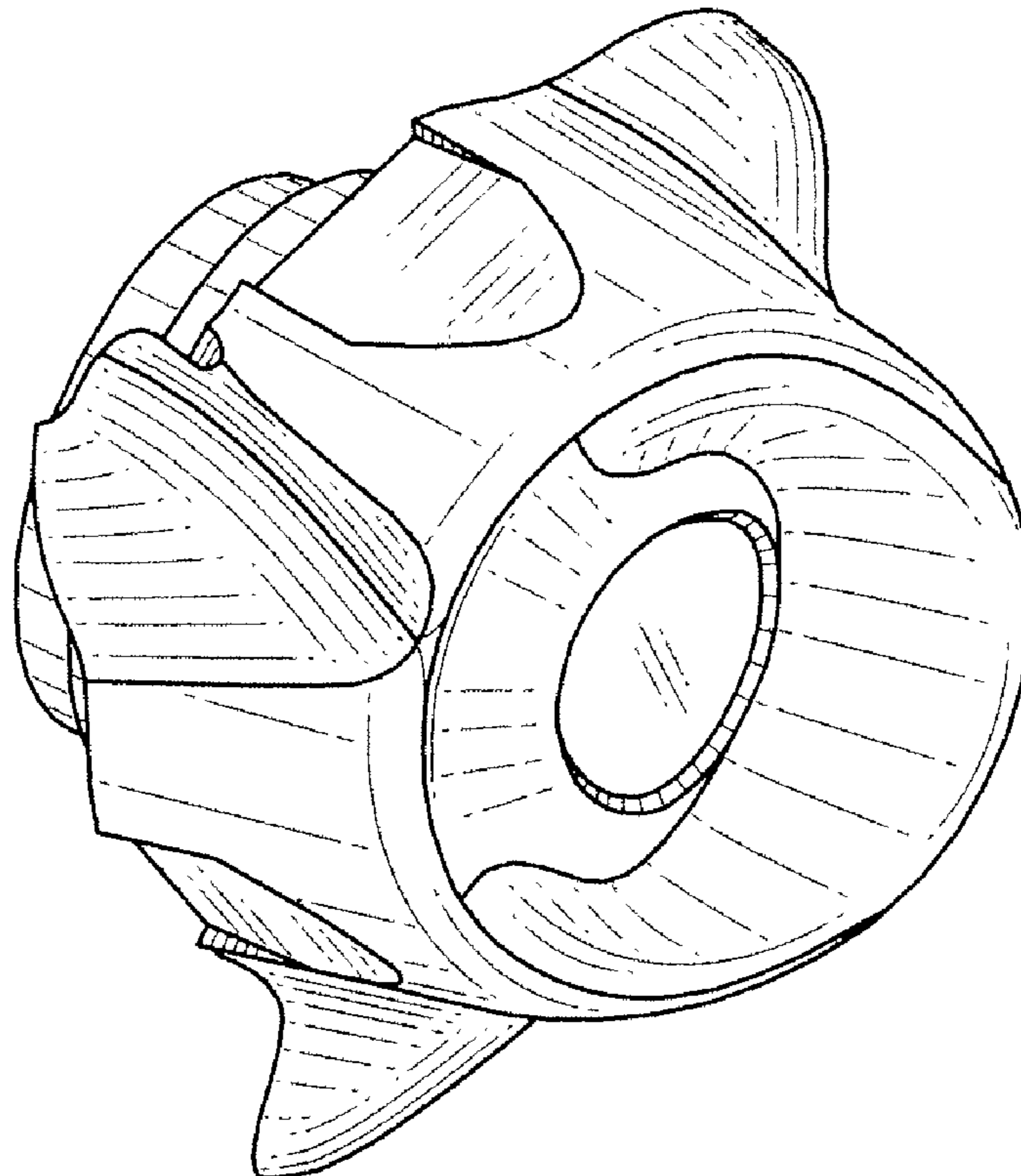
FIG. 5 is a first end view in accordance with the first embodiment thereof;

FIG. 6 is a second end view opposite FIG. 5 in accordance with the first embodiment thereof;

FIG. 7 is a third side view in accordance with the first embodiment thereof; and,

FIG. 8 is a fourth side view in accordance with the first embodiment thereof.

1 Claim, 8 Drawing Sheets



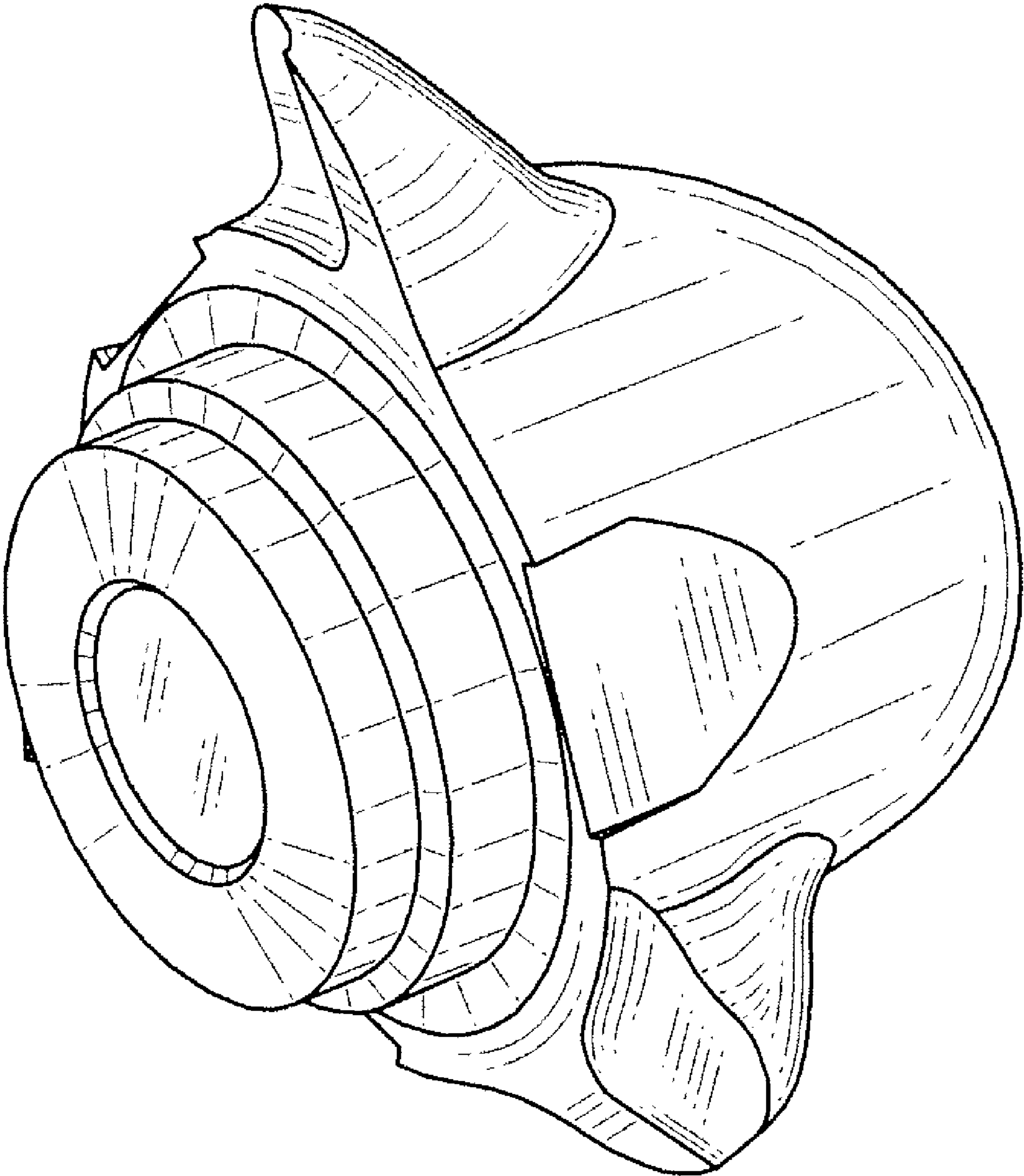


FIG. 1

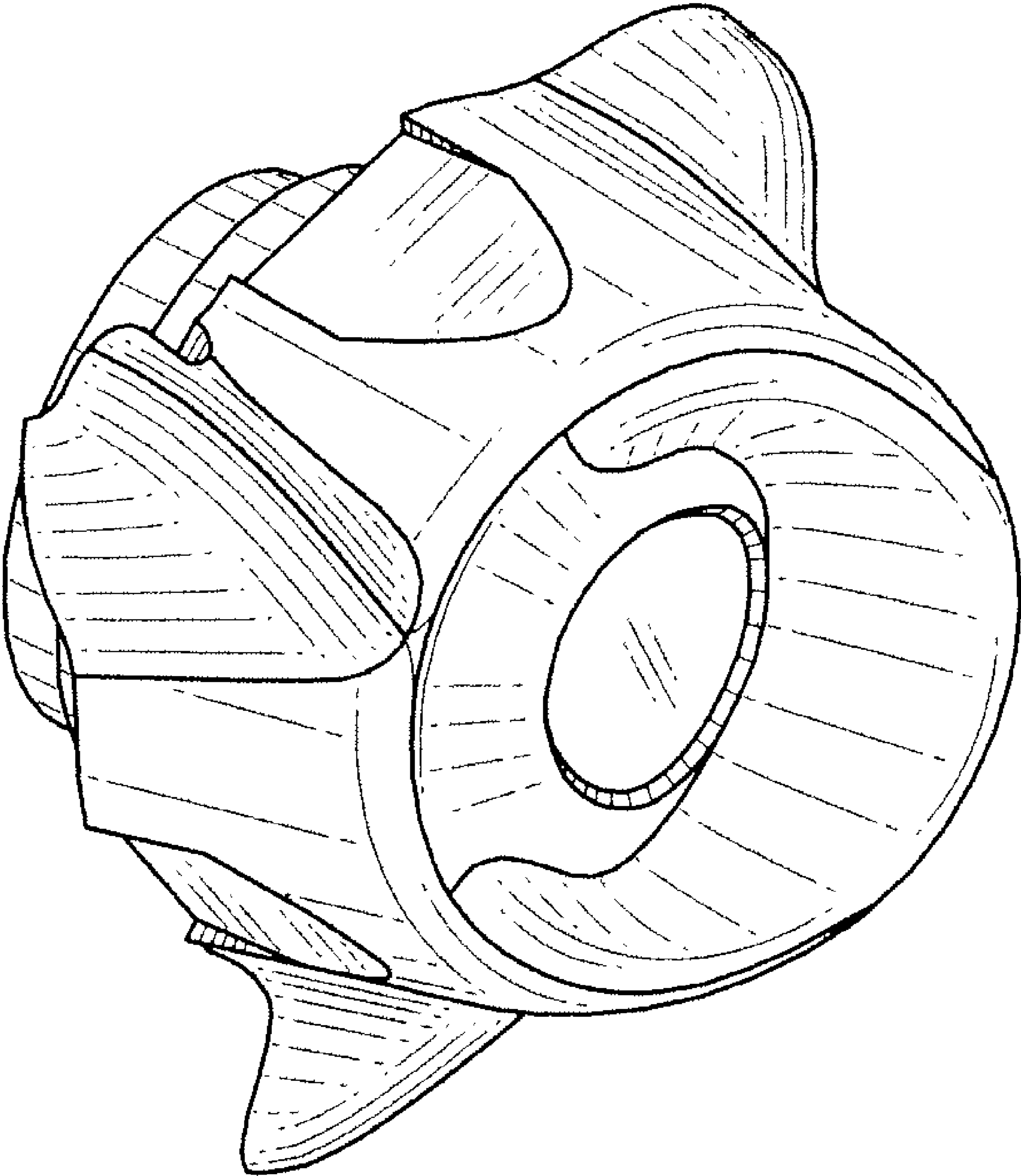


FIG. 2

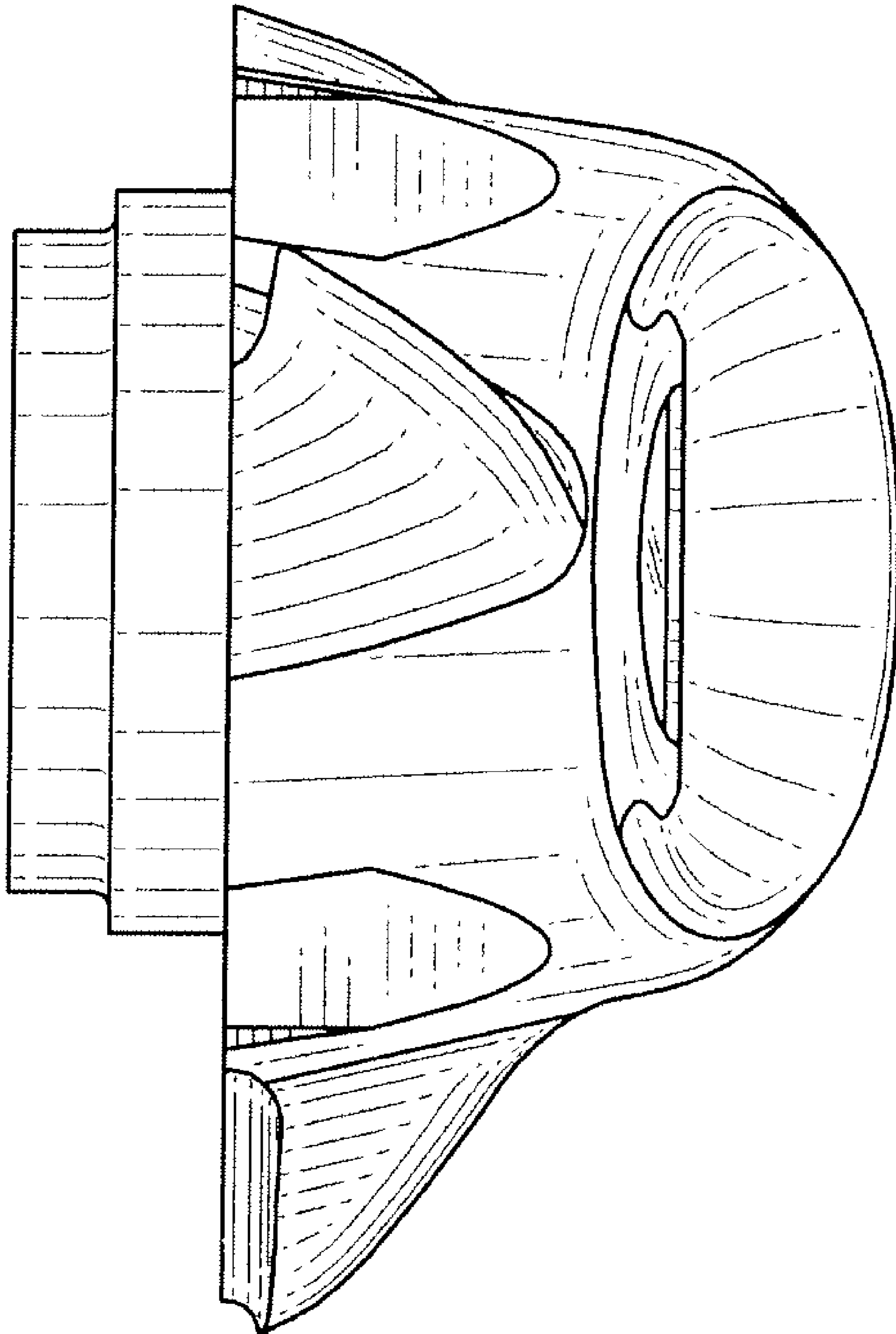


FIG. 3

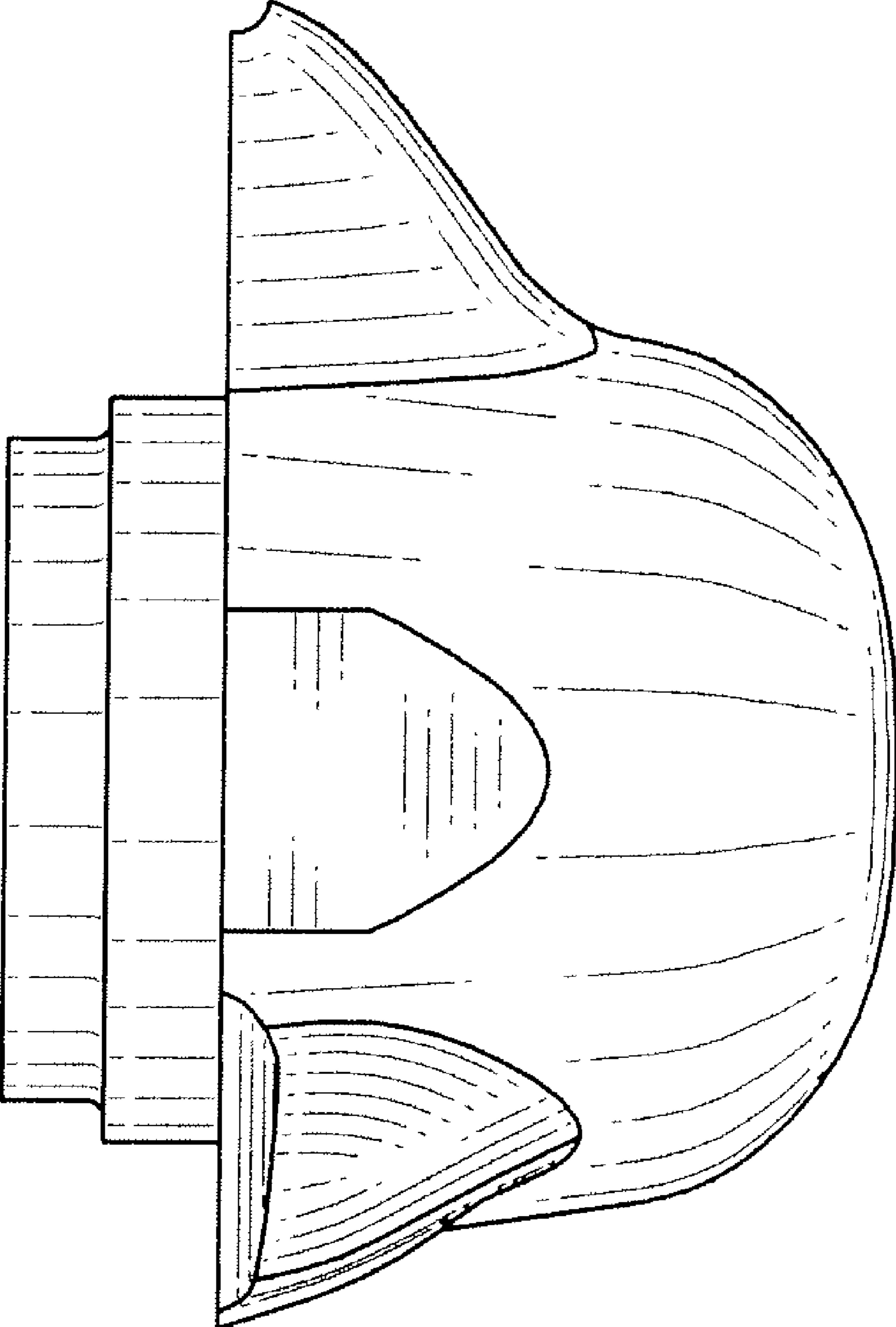


FIG. 4

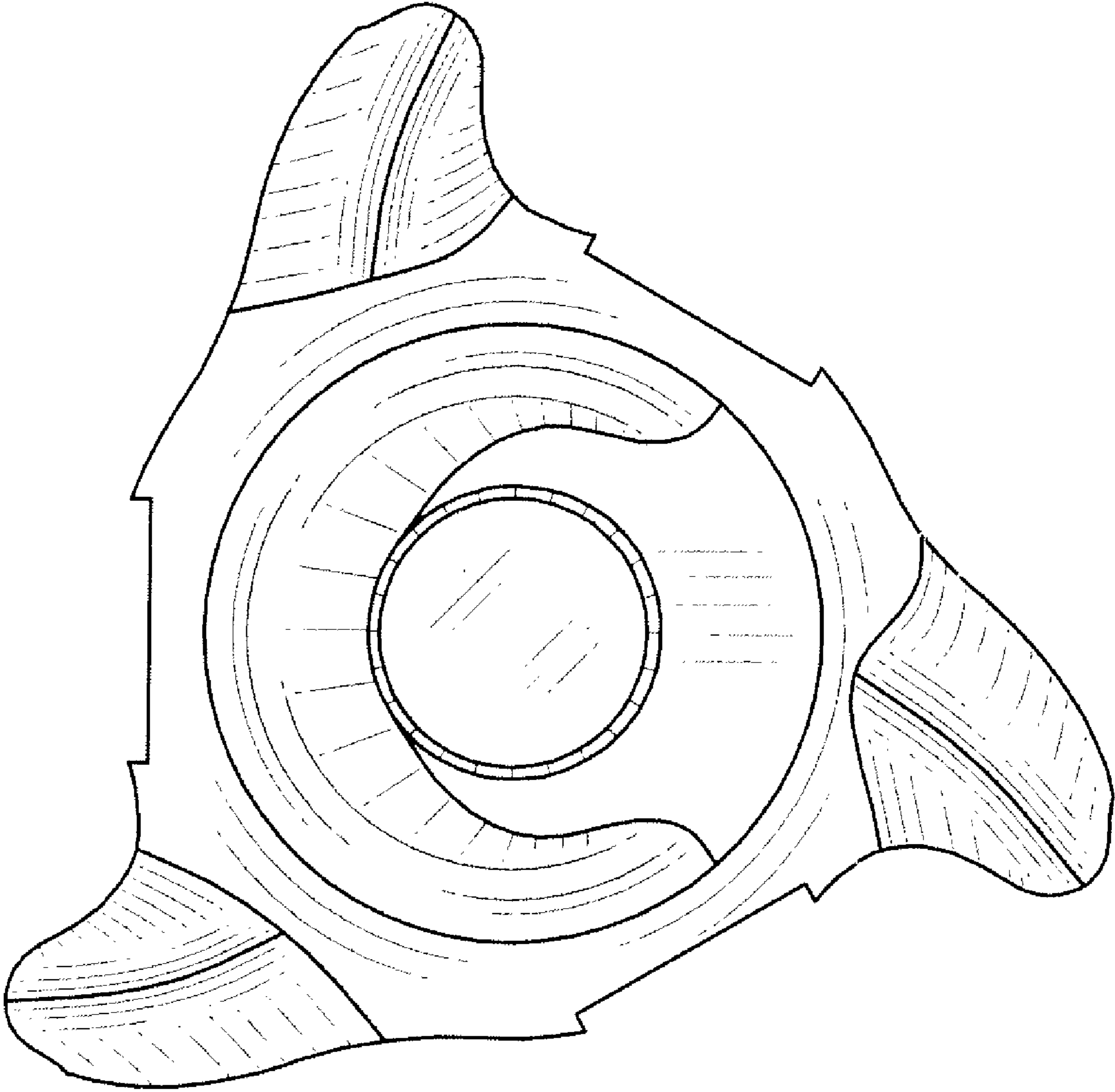


FIG. 5

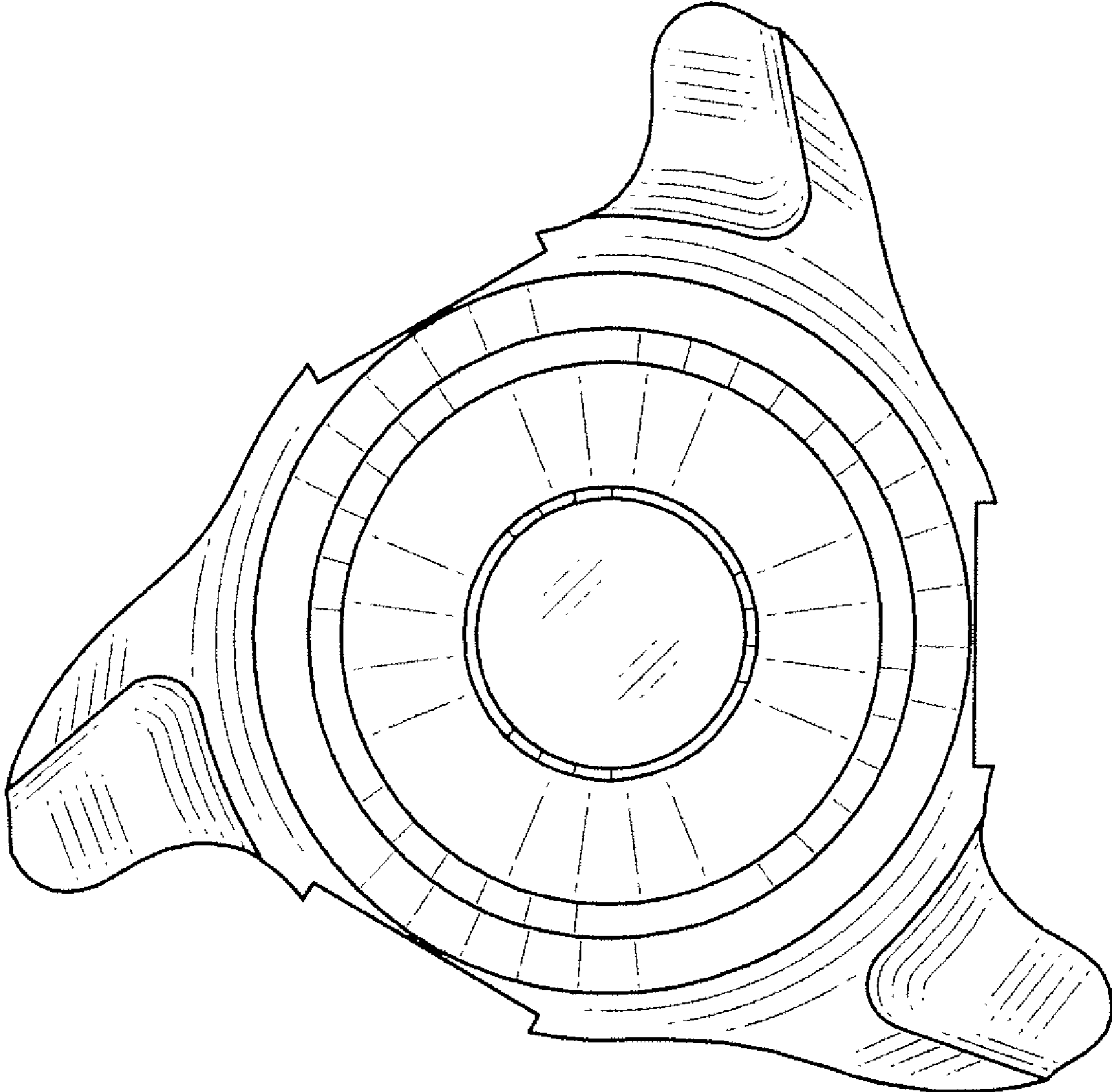


FIG. 6

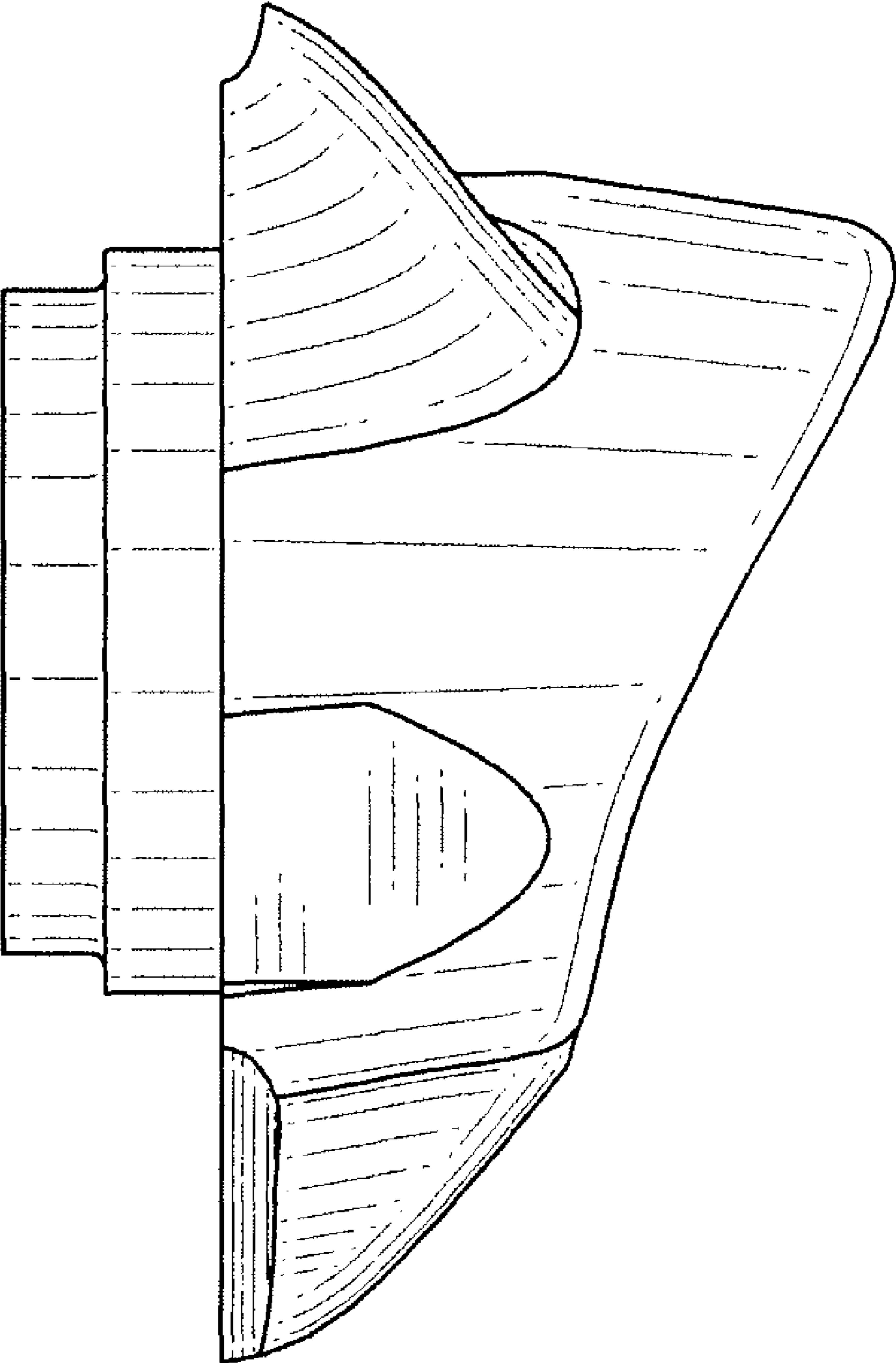


FIG. 7

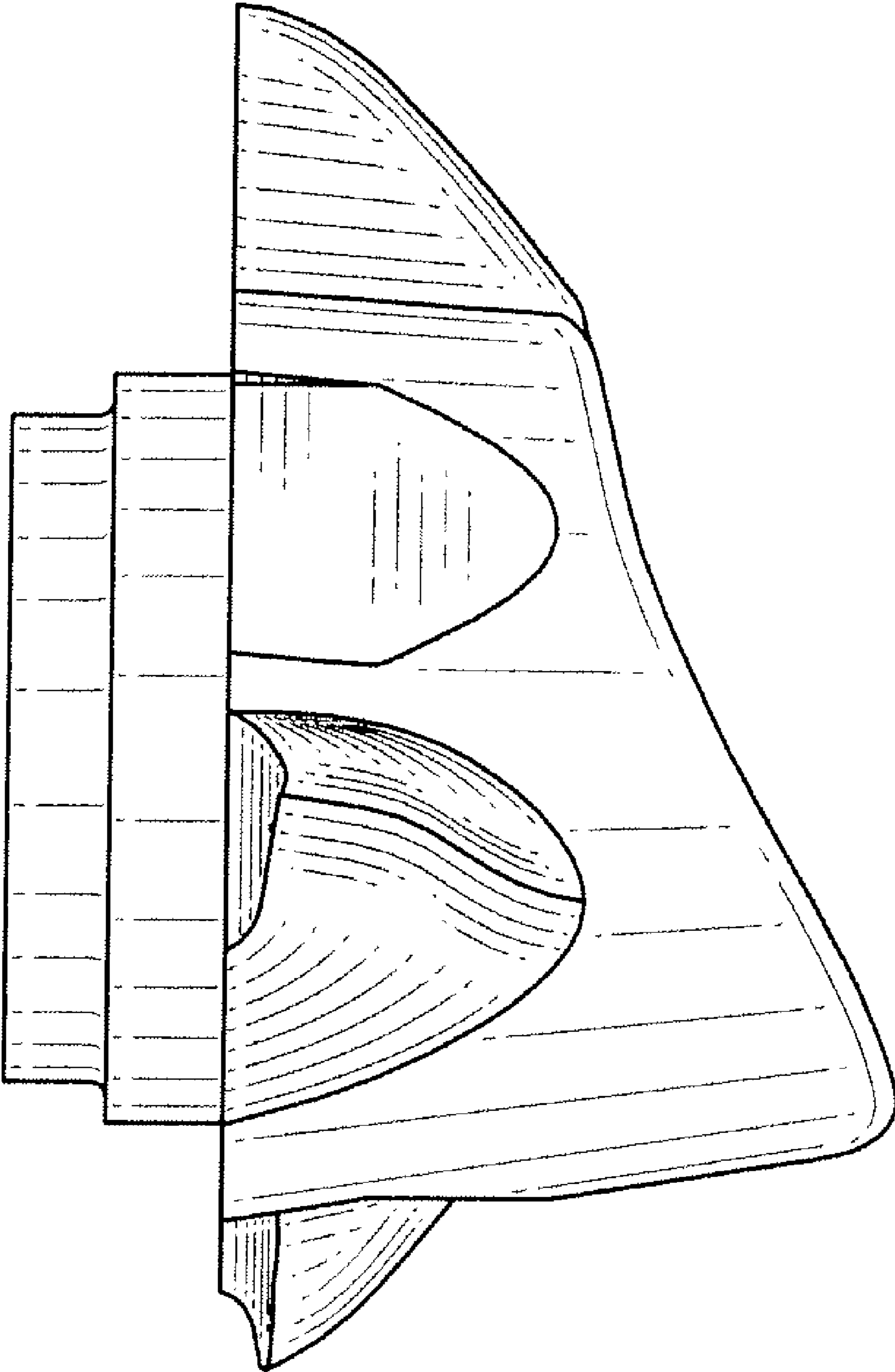


FIG. 8