



US00D621418S

(12) **United States Design Patent**
Leu et al.

(10) **Patent No.:** **US D621,418 S**

(45) **Date of Patent:** **** Aug. 10, 2010**

(54) **PUMP HOUSING**

D590,421 S * 4/2009 Shibukawa D15/7

(75) Inventors: **Shawn Leu**, Newton, WI (US); **Eric Strouf**, Sheboygan, WI (US)

(73) Assignee: **Gardner Denver Thomas, Inc.**, Sheboygan, WI (US)

(**) Term: **14 Years**

(21) Appl. No.: **29/312,025**

(22) Filed: **Sep. 26, 2008**

(51) **LOC (9) Cl.** **15-02**

(52) **U.S. Cl.** **D15/7**

(58) **Field of Classification Search** D15/7-9;
D23/231, 232, 225; 417/410.1, 359, 415-416,
417/234, 321, 265, 405

See application file for complete search history.

(56) **References Cited**

U.S. PATENT DOCUMENTS

D293,682 S *	1/1988	Liou	D15/9
D379,996 S *	6/1997	Leu et al.	D15/9
D405,455 S *	2/1999	Leu et al.	D15/9
D444,799 S *	7/2001	Thomas et al.	D15/9
D488,820 S *	4/2004	Rozek	D15/7
D532,796 S	11/2006	Leu		
D538,193 S *	3/2007	Mizuno	D11/7

OTHER PUBLICATIONS

Drawing for Prior art Pump Model 230, dated Nov. 13, 2008.

* cited by examiner

Primary Examiner—Ralf Seifert

(74) *Attorney, Agent, or Firm*—James B. Conte

(57) **CLAIM**

The ornamental design for a pump housing, as shown and described.

DESCRIPTION

FIG. 1 is a top plan view of the pump housing design;

FIG. 2 is a front elevational view thereof;

FIG. 3 is a left side elevational view thereof;

FIG. 4 is a rear elevational view thereof;

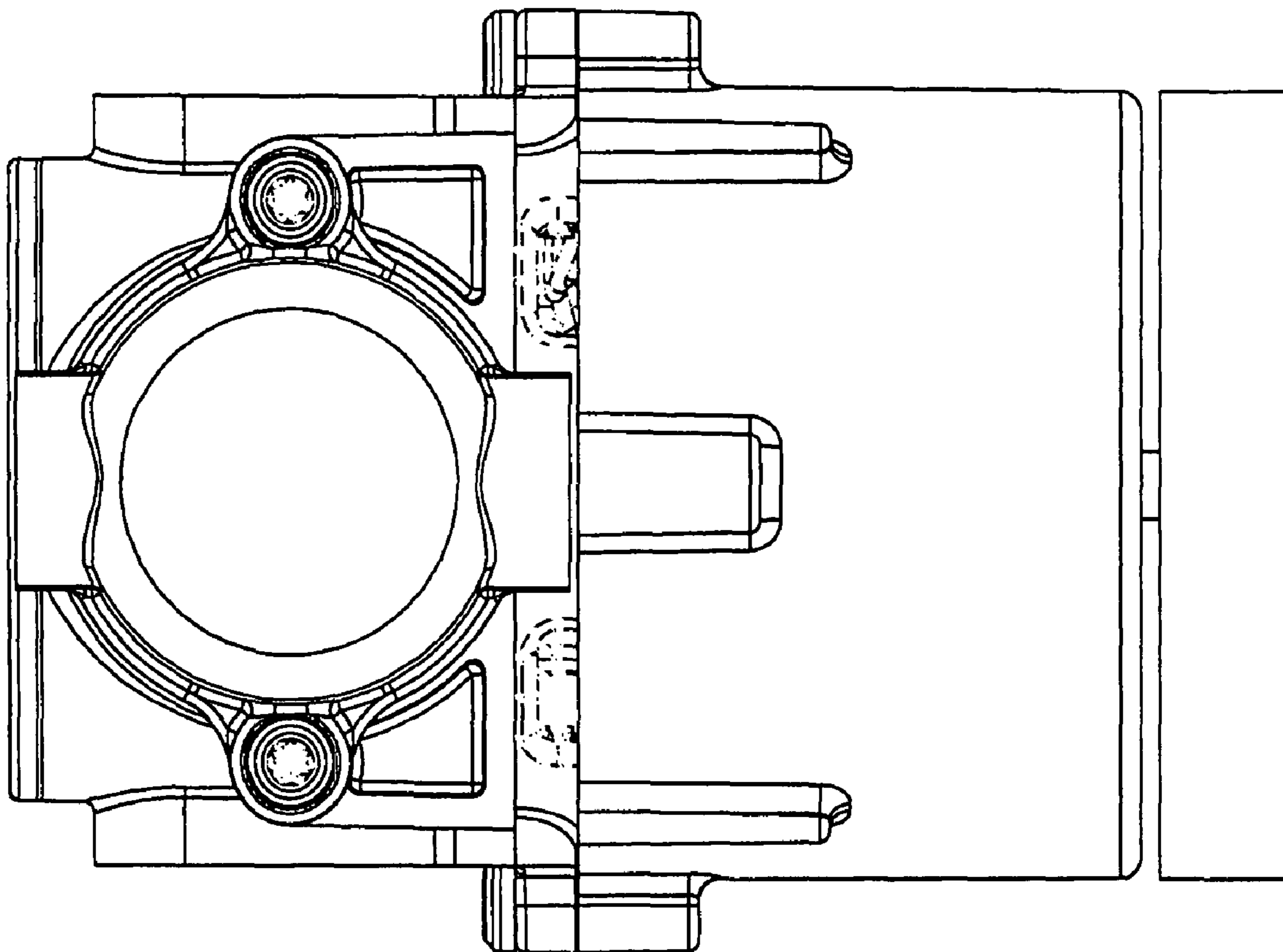
FIG. 5 is a right side elevational view thereof;

FIG. 6 is a bottom view thereof; and,

FIG. 7 is a perspective view taken from the top, front and left side thereof.

The broken lines in FIGS. 1 through 7 are included for the purpose of illustrating components of the pump housing that form no part of the claimed design.

1 Claim, 7 Drawing Sheets



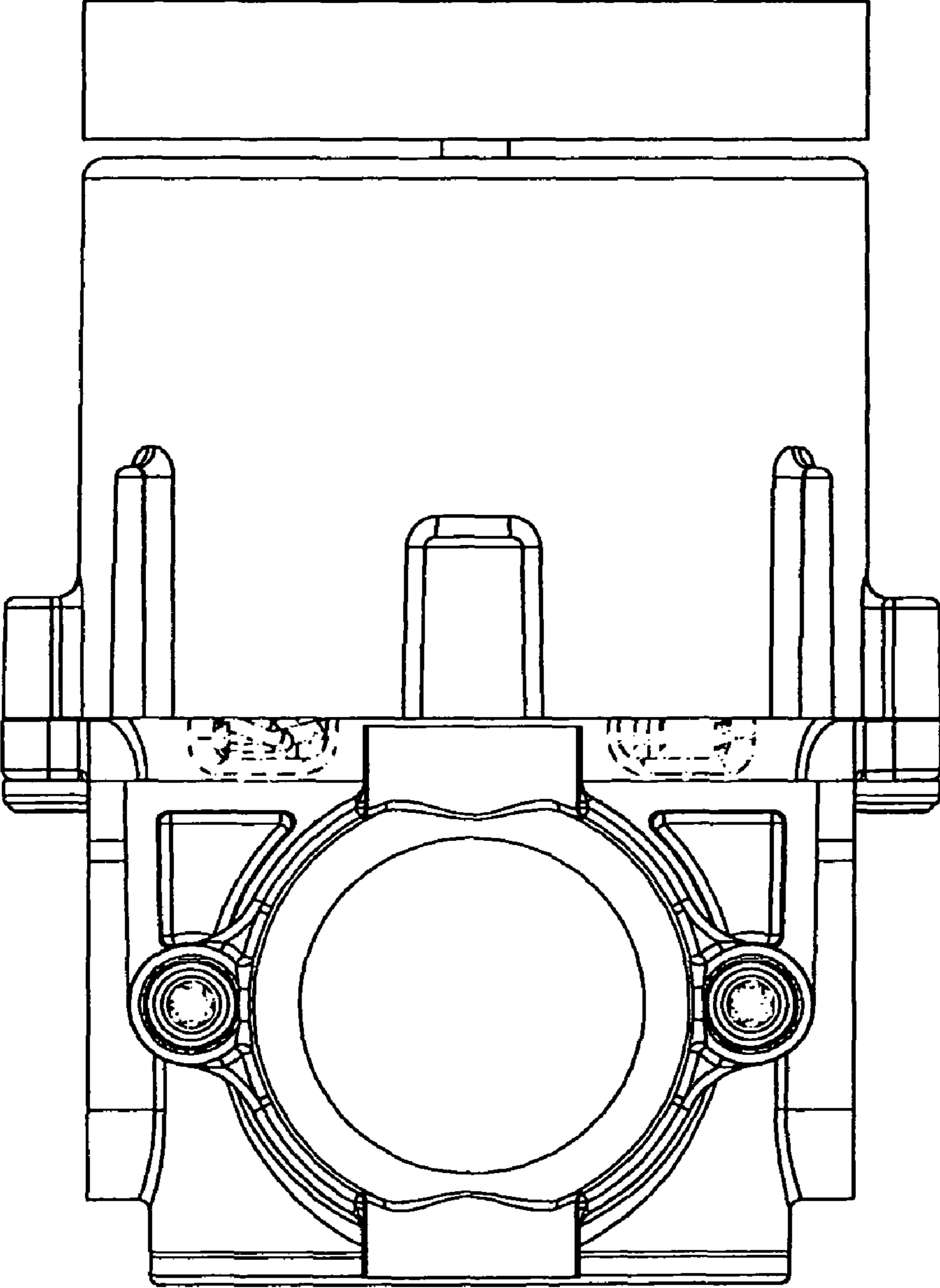


Fig. 1

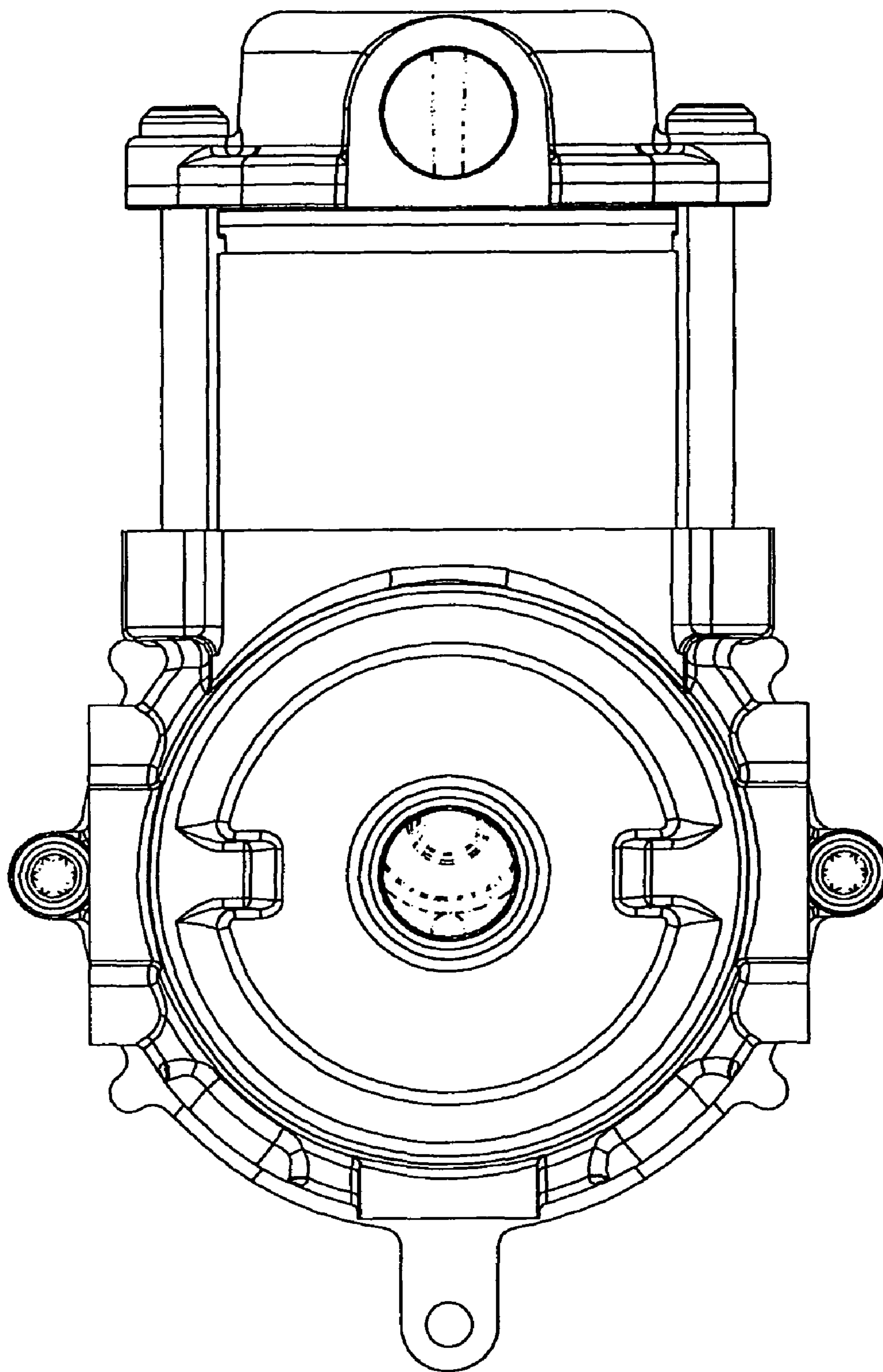


Fig. 2

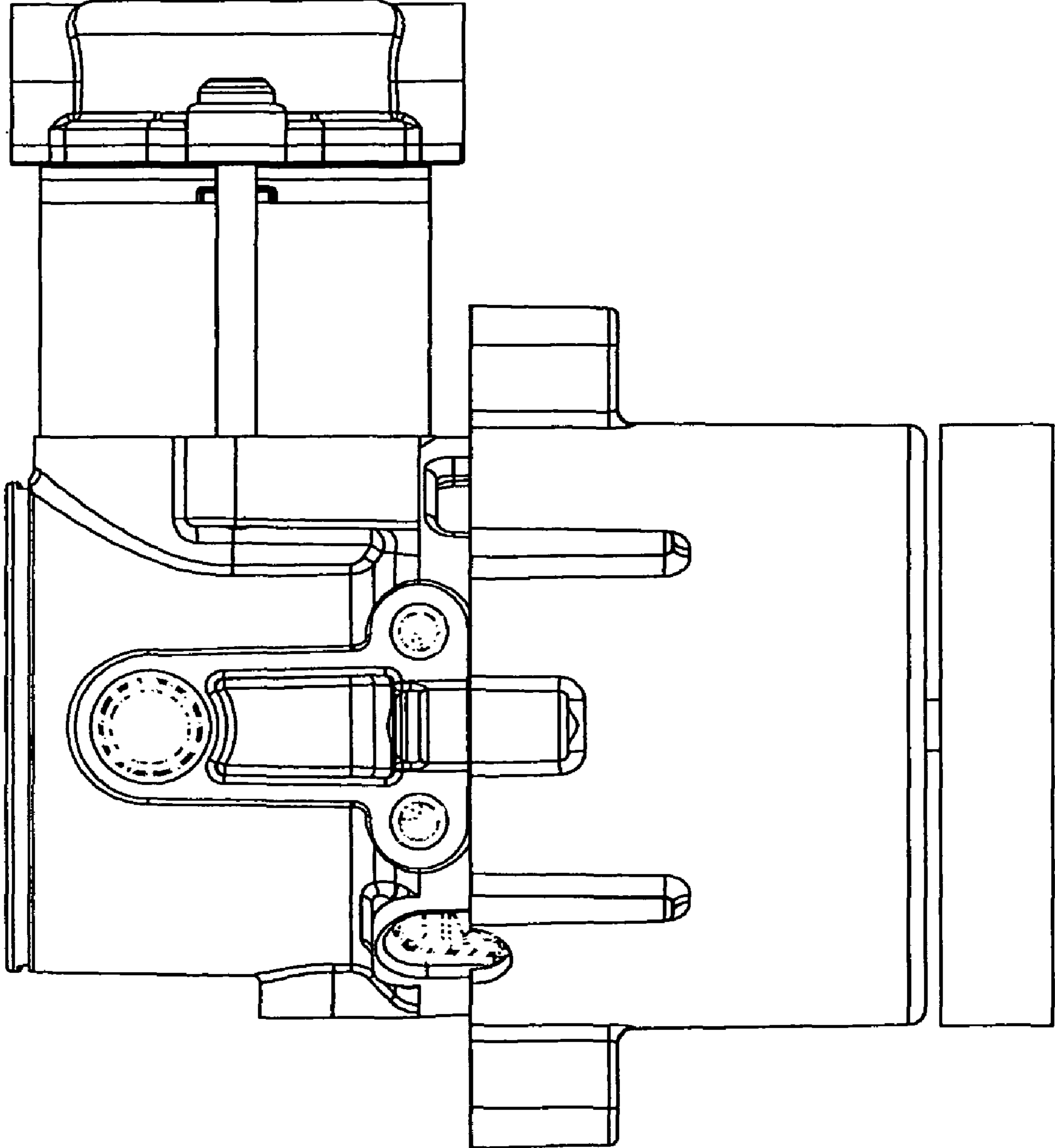


Fig. 3

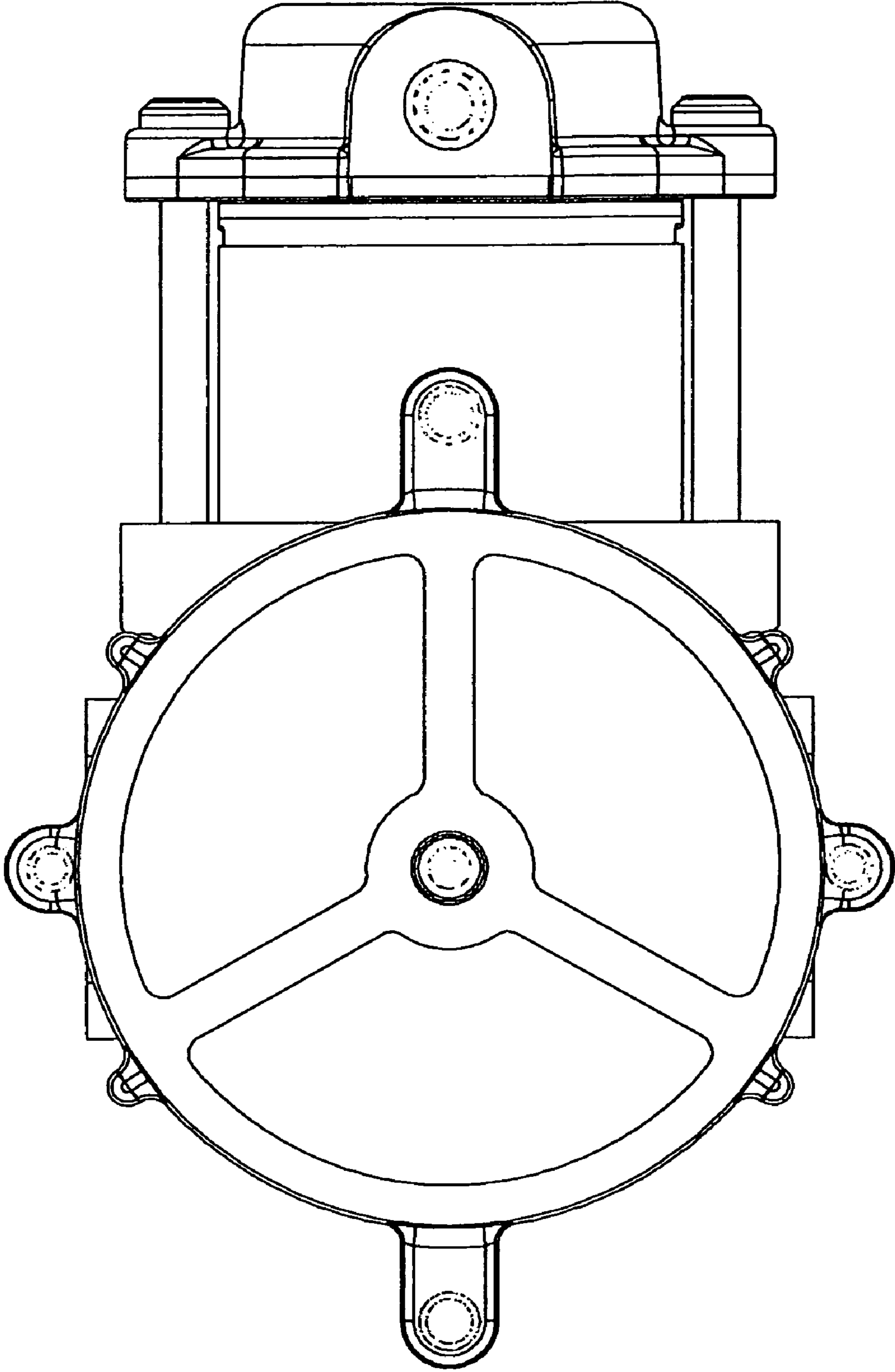


Fig. 4

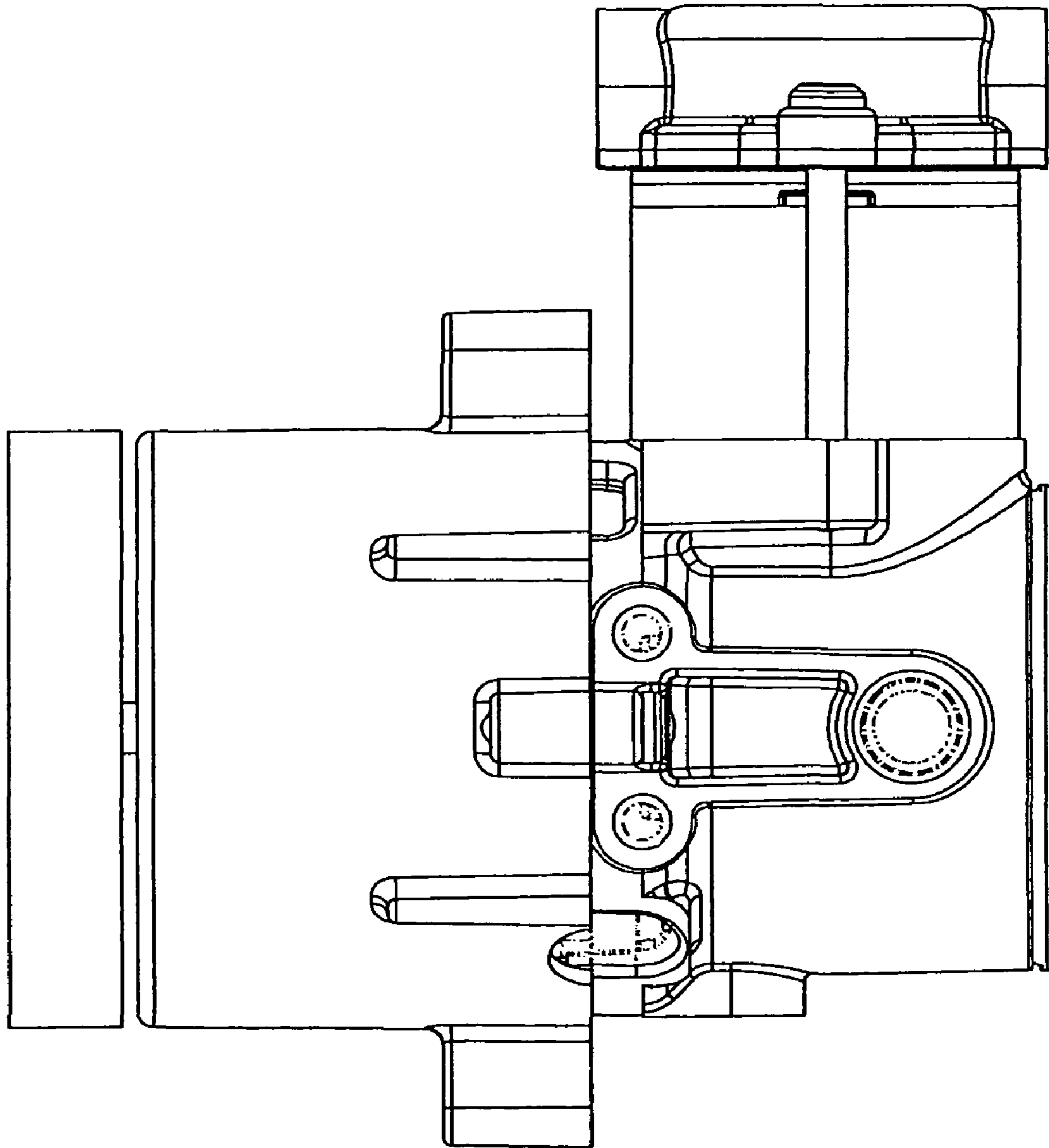


Fig. 5

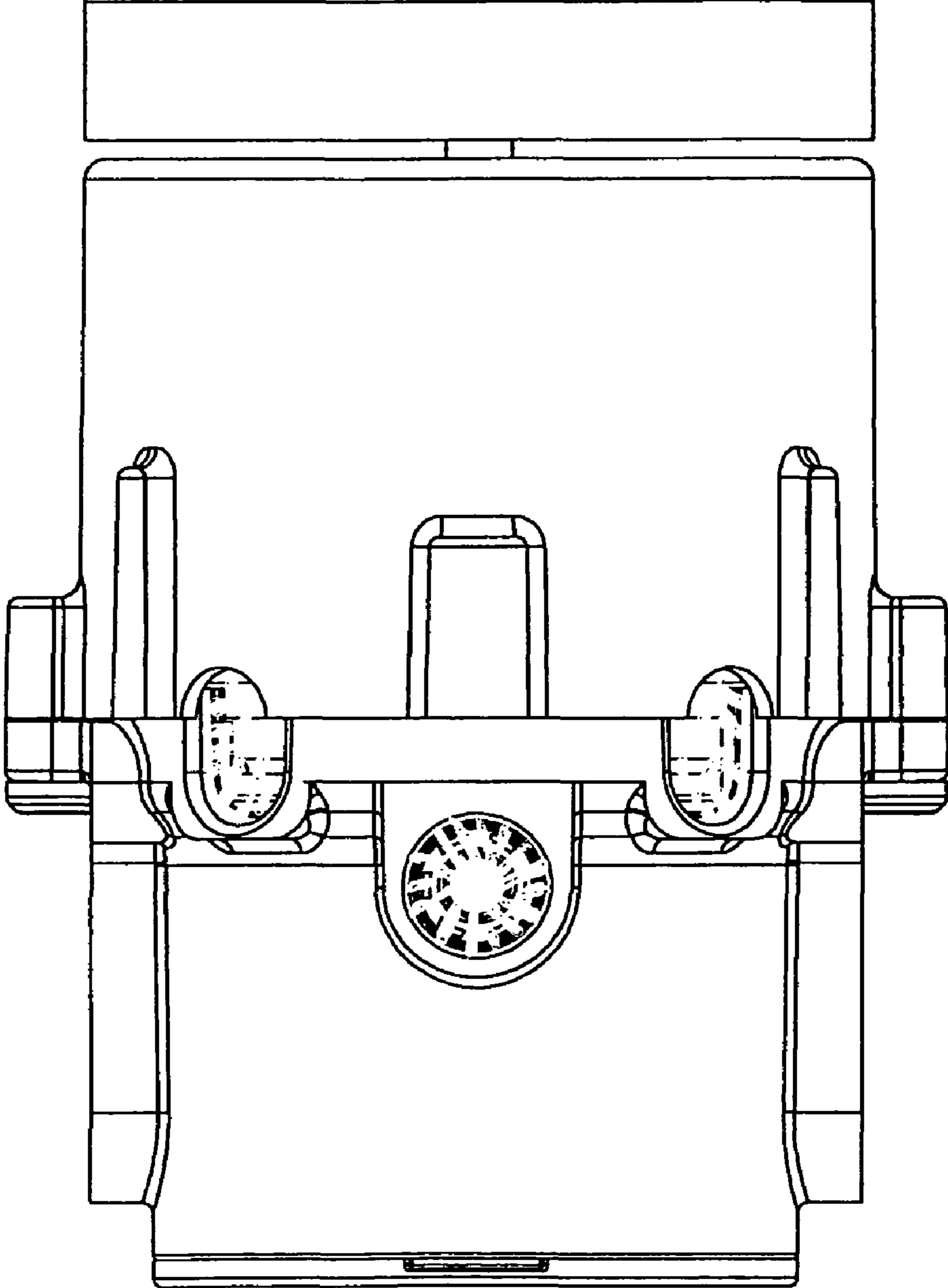


Fig. 6

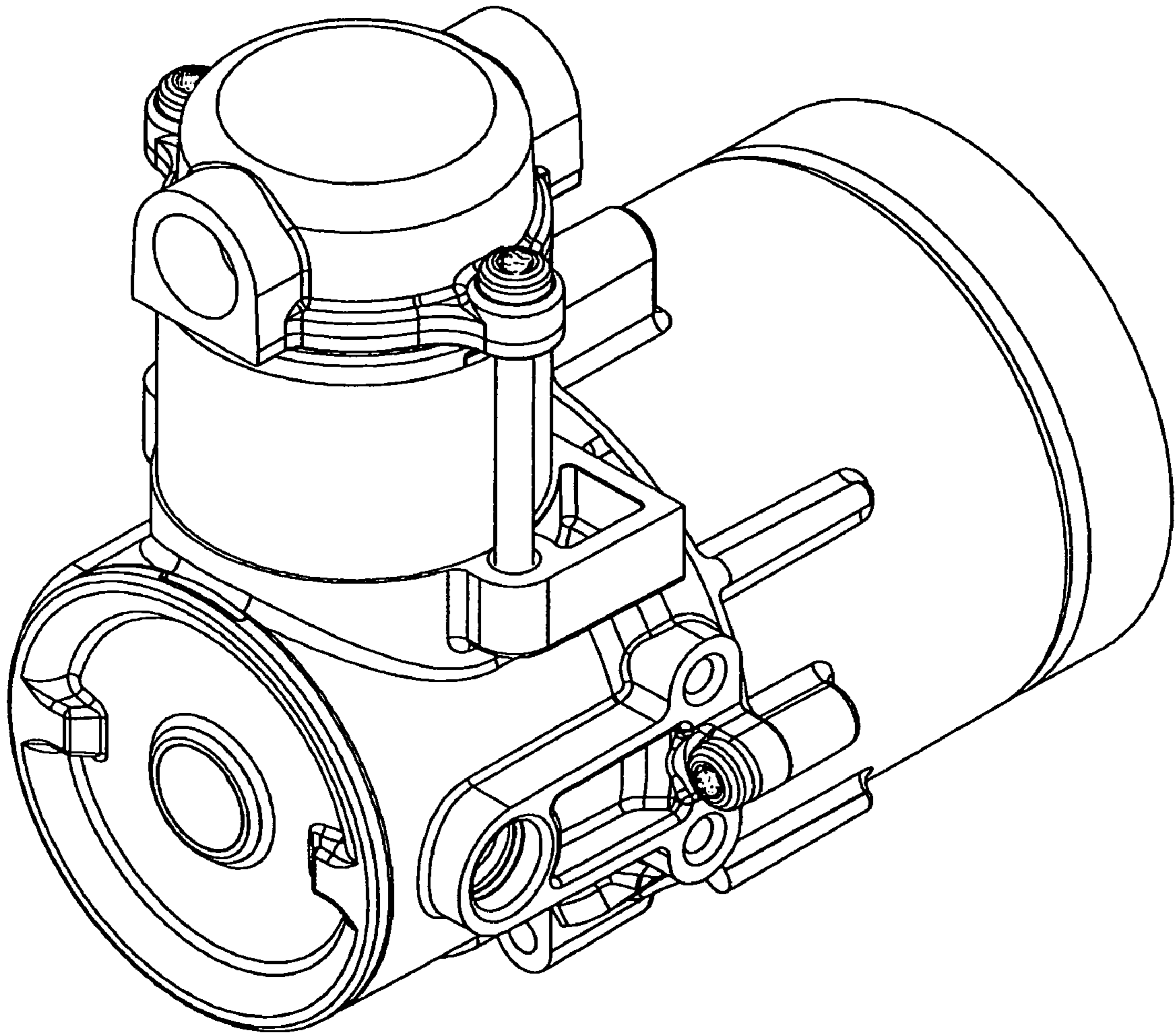


Fig. 7