



US00D621417S

(12) **United States Design Patent**
McGarry

(10) **Patent No.:** **US D621,417 S**

(45) **Date of Patent:** **** Aug. 10, 2010**

(54) **CASE PROTECTOR**

(75) Inventor: **Timothy McGarry**, Phoenix, OR (US)

(73) Assignee: **T.M. Designworks, LLC**, Phoenix, OR (US)

(**) Term: **14 Years**

(21) Appl. No.: **29/350,131**

(22) Filed: **Nov. 11, 2009**

(51) **LOC (9) Cl.** **15-01**

(52) **U.S. Cl.** **D15/5; D12/126**

(58) **Field of Classification Search** D15/1, D15/2, 3, 5, 6, 14, 17, 149; 123/22, 41.34, 123/51 A, 606 R, 52.1, 50 A, 50 B, 54.1, 123/54.2, 54.4, 54.5, 65 R, 195 R, 195 HC, 123/657, 311, 41.67, 198 E, 572-574; D12/126, D12/127, 110, 179, 180; D13/184; 280/288.4; 180/219

See application file for complete search history.

(56) **References Cited**

U.S. PATENT DOCUMENTS

D411,148 S *	6/1999	Swenson et al.	D12/126
D532,720 S *	11/2006	McGarry	D12/127
D592,108 S *	5/2009	McGarry	D12/126
D592,559 S *	5/2009	McGarry	D12/126
D594,791 S *	6/2009	Million	D12/126
D600,600 S *	9/2009	McGarry	D12/127
D601,465 S *	10/2009	McGarry	D12/127
2007/0087877 A1 *	4/2007	McGarry	474/144

OTHER PUBLICATIONS

KX450F Stock Case Protector, Sold by Kawasaki Motor Company, Sep. 2009 (approximately), 4 pages.

* cited by examiner

Primary Examiner—T. Chase Nelson

Assistant Examiner—Ania K Dworzecka

(74) *Attorney, Agent, or Firm*—Alleman Hall McCoy Russell & Tuttle LLP

(57) **CLAIM**

The ornamental design for a case protector, as shown and described.

DESCRIPTION

FIG. 1 is a front perspective view of a case protector according to the present invention.

FIG. 2 is a rear perspective view of the case protector of FIG. 1.

FIG. 3 is a front side view of the case protector of FIG. 1.

FIG. 4 is a rear side view of the case protector of FIG. 1.

FIG. 5 is a top side view of the case protector of FIG. 1.

FIG. 6 is a bottom side view of the case protector of FIG. 1.

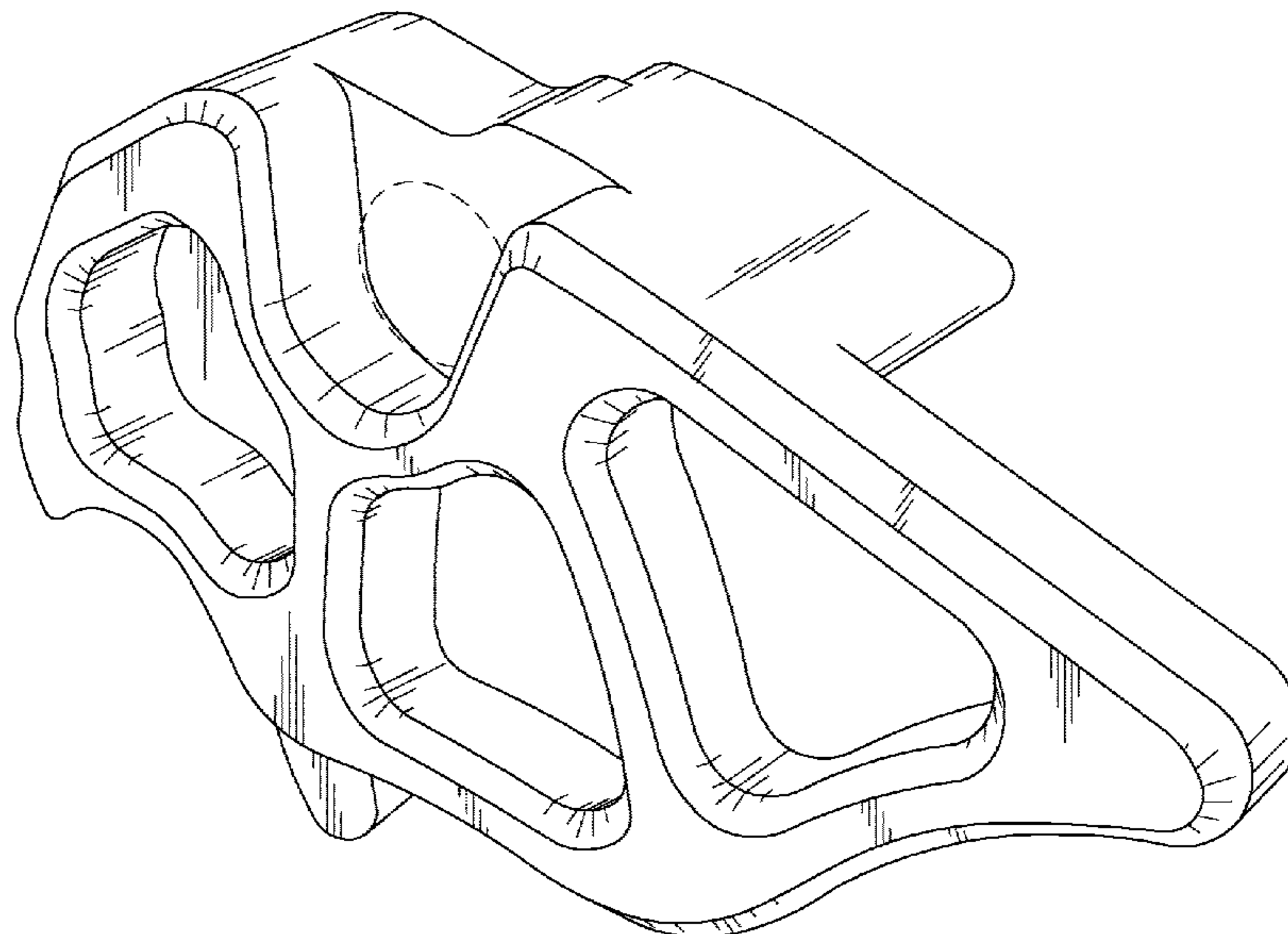
FIG. 7 is a left side view of the case protector of FIG. 1.

FIG. 8 is a right side view of the case protector of FIG. 1; and,

FIG. 9 is another front side view of the case protector of FIG. 1, shown in an unclaimed operating environment to be mounted to an engine case of a motorcycle.

The dashed lines on the article in FIGS. 1-9 illustrate locations for fasteners and form no part of the claimed design. The remaining dashed lines in FIG. 9 illustrate an engine case of a motorcycle and form no part of the claimed design.

1 Claim, 4 Drawing Sheets



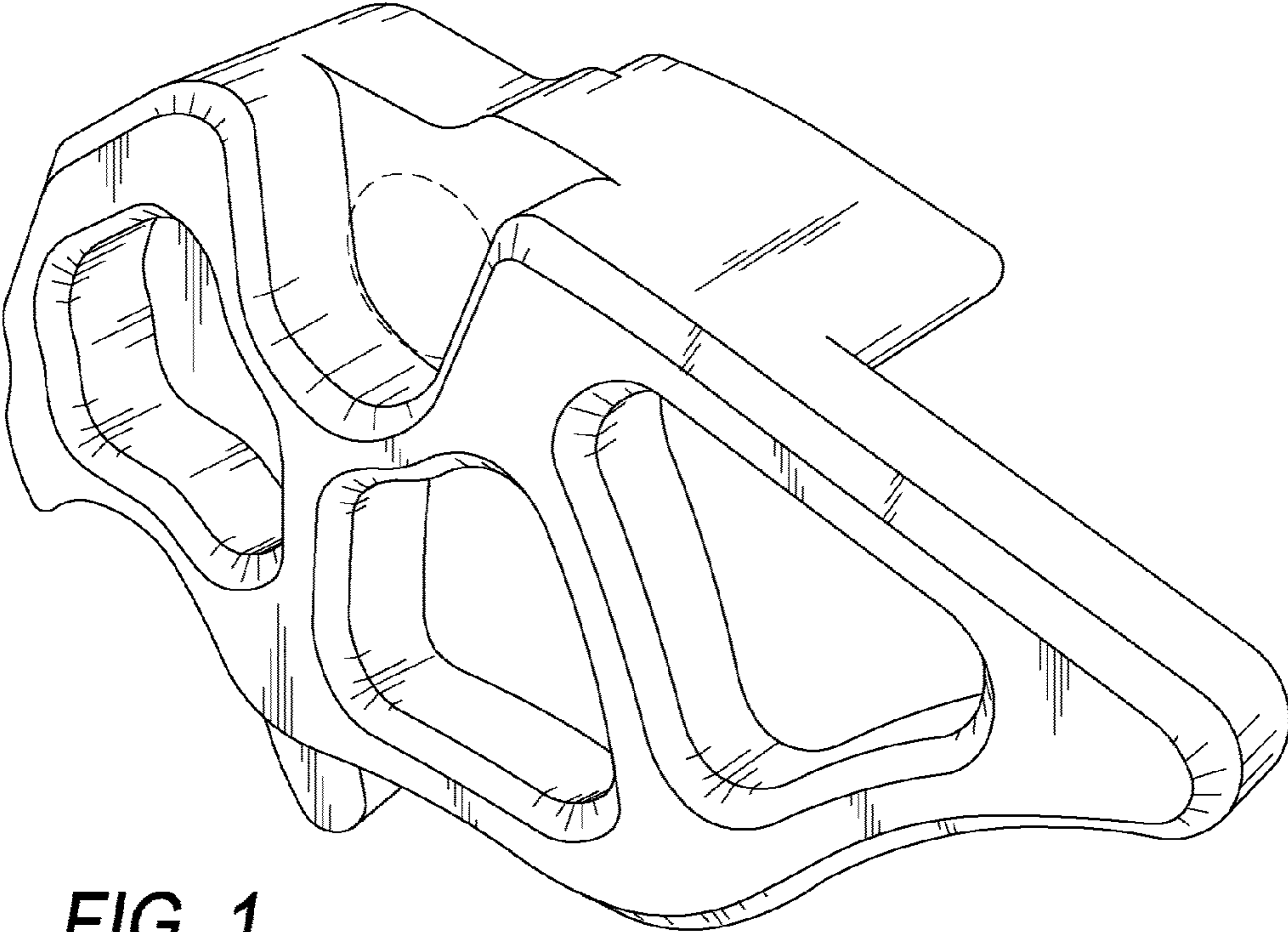


FIG. 1

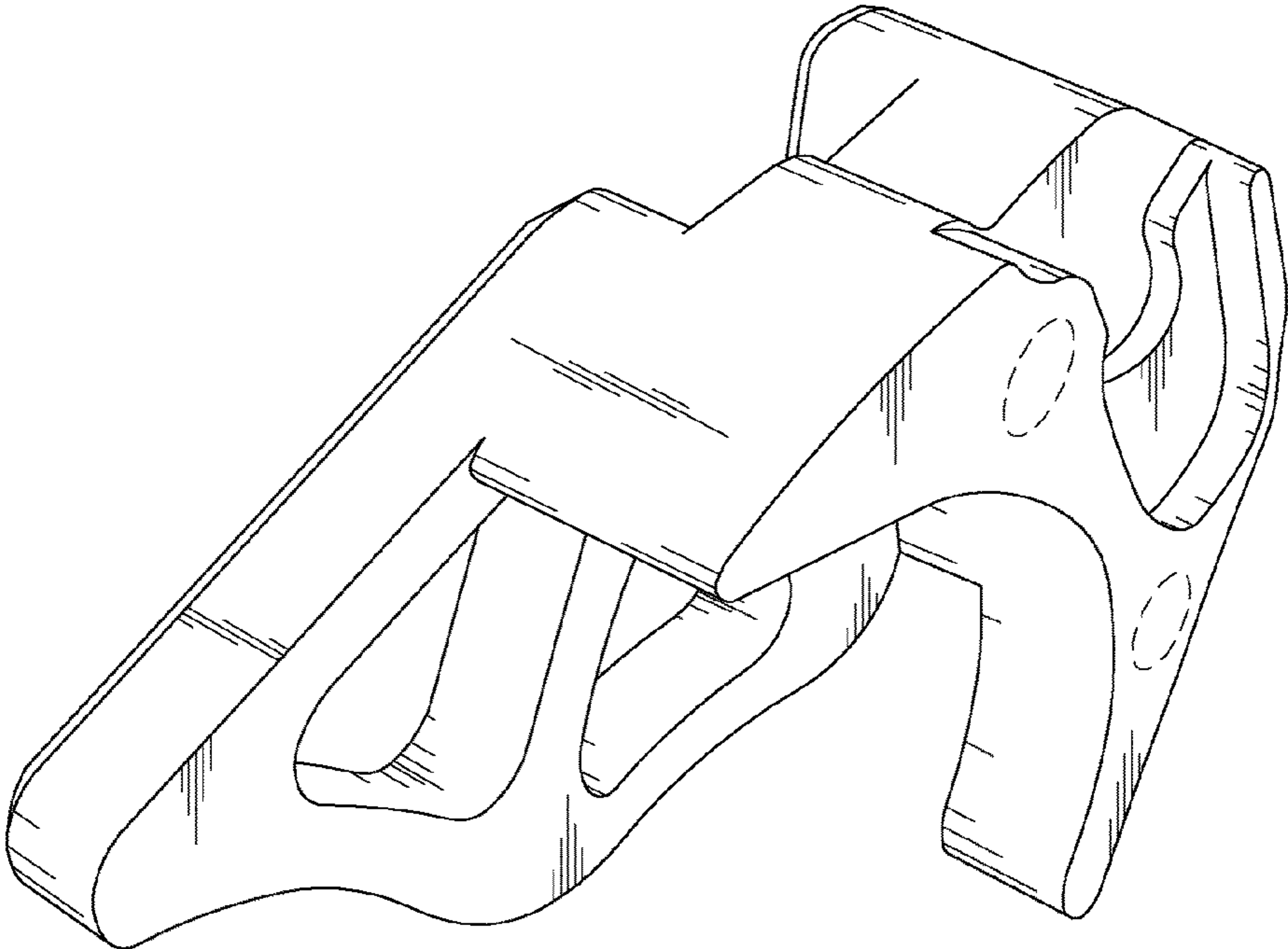


FIG. 2

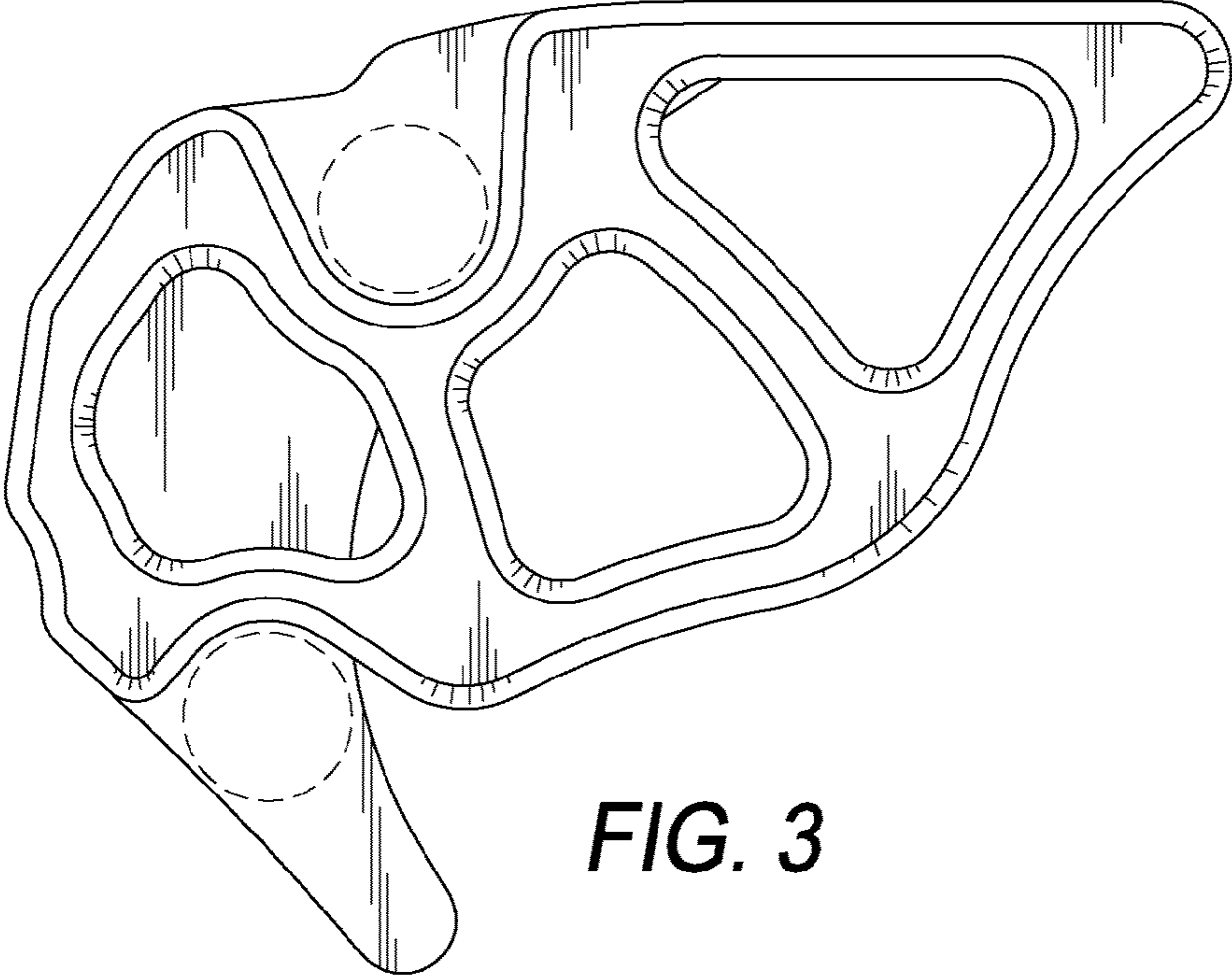


FIG. 3

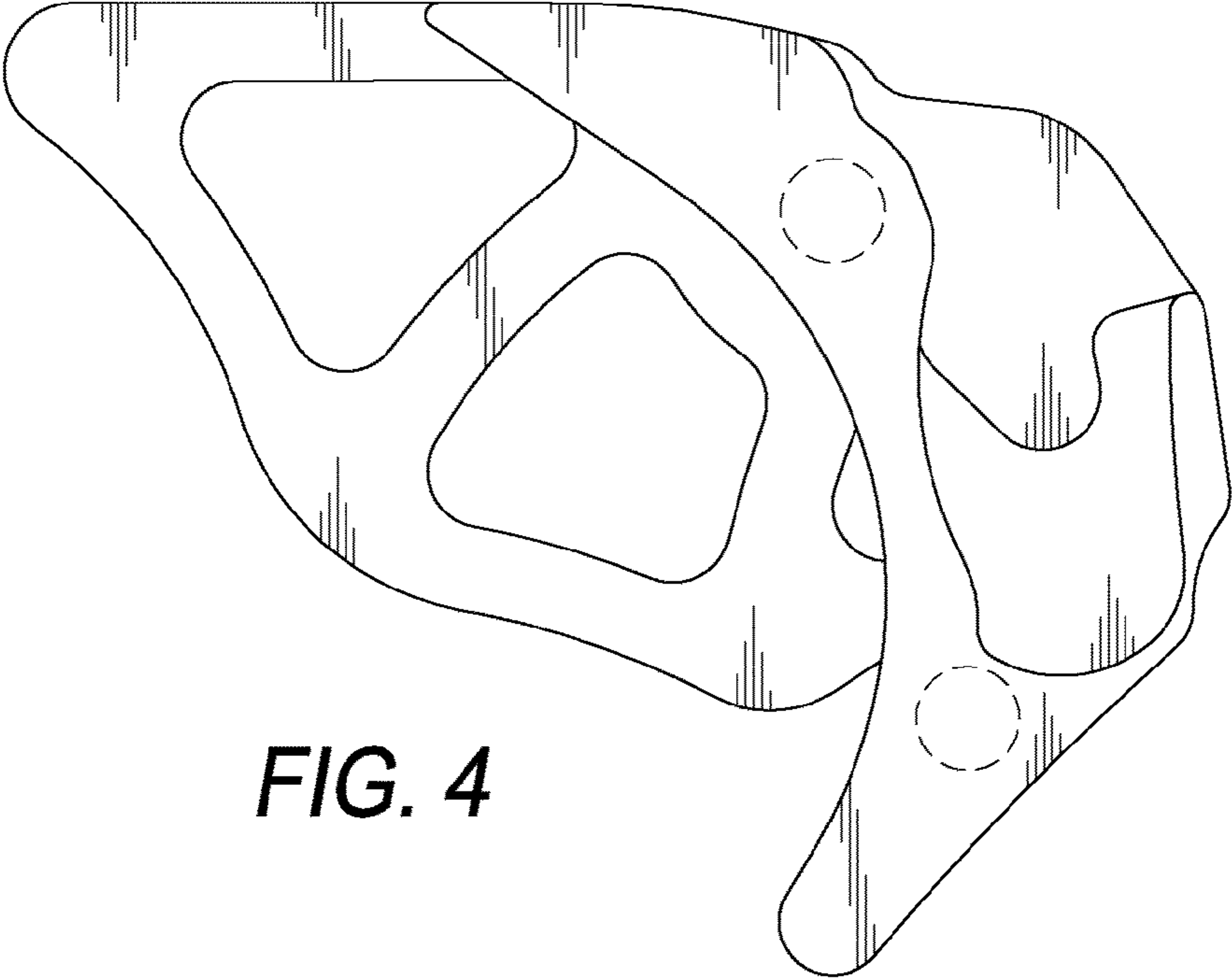


FIG. 4

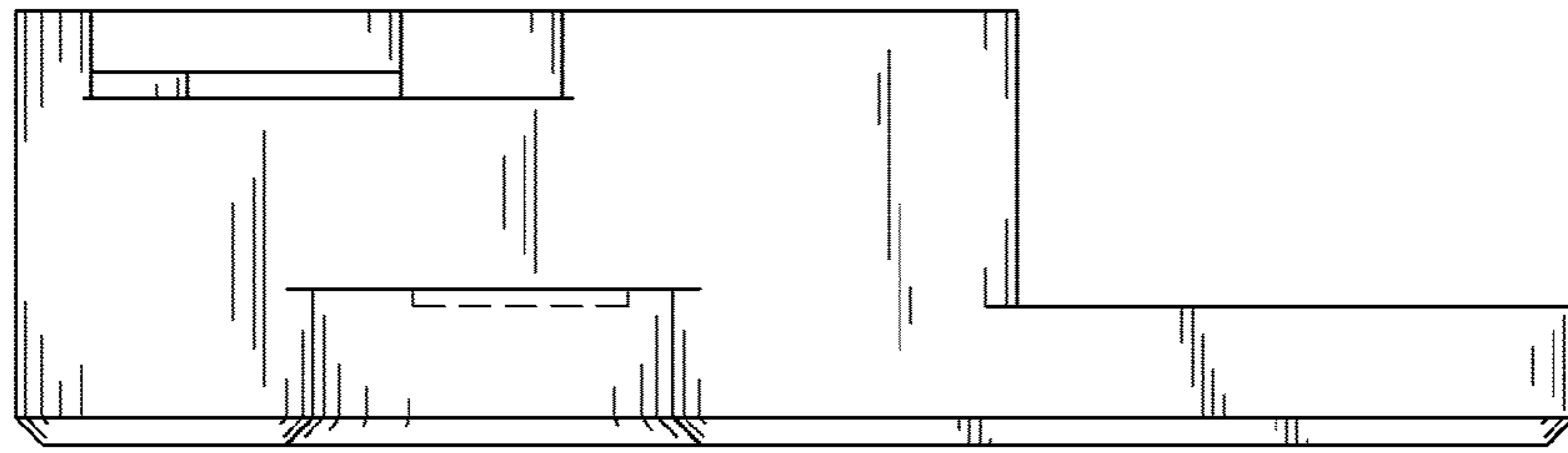


FIG. 5

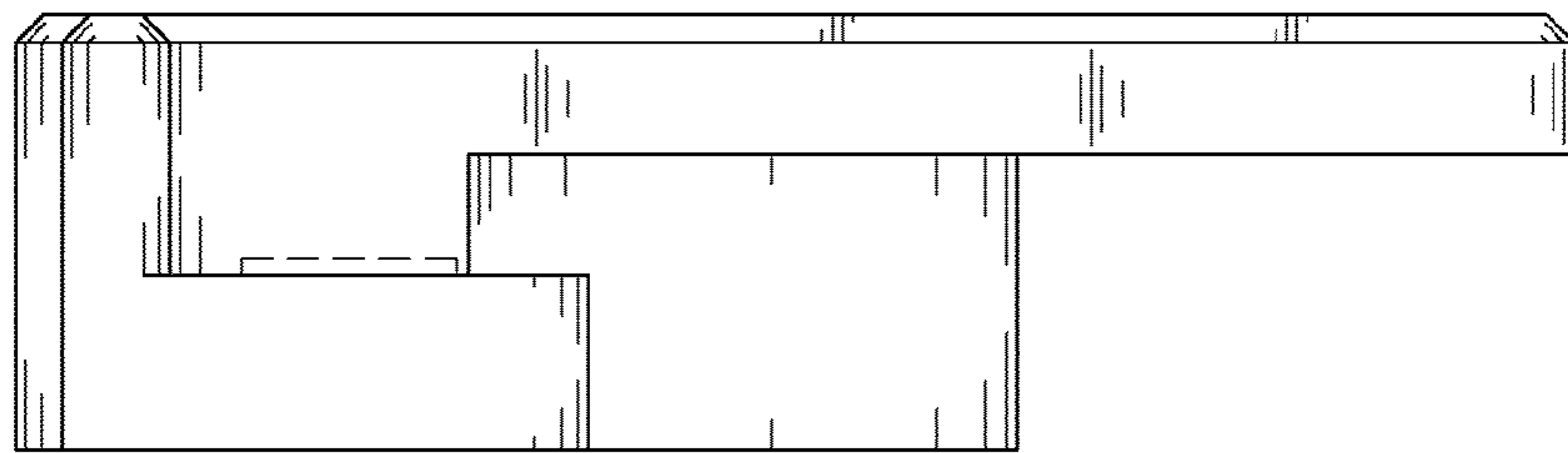


FIG. 6

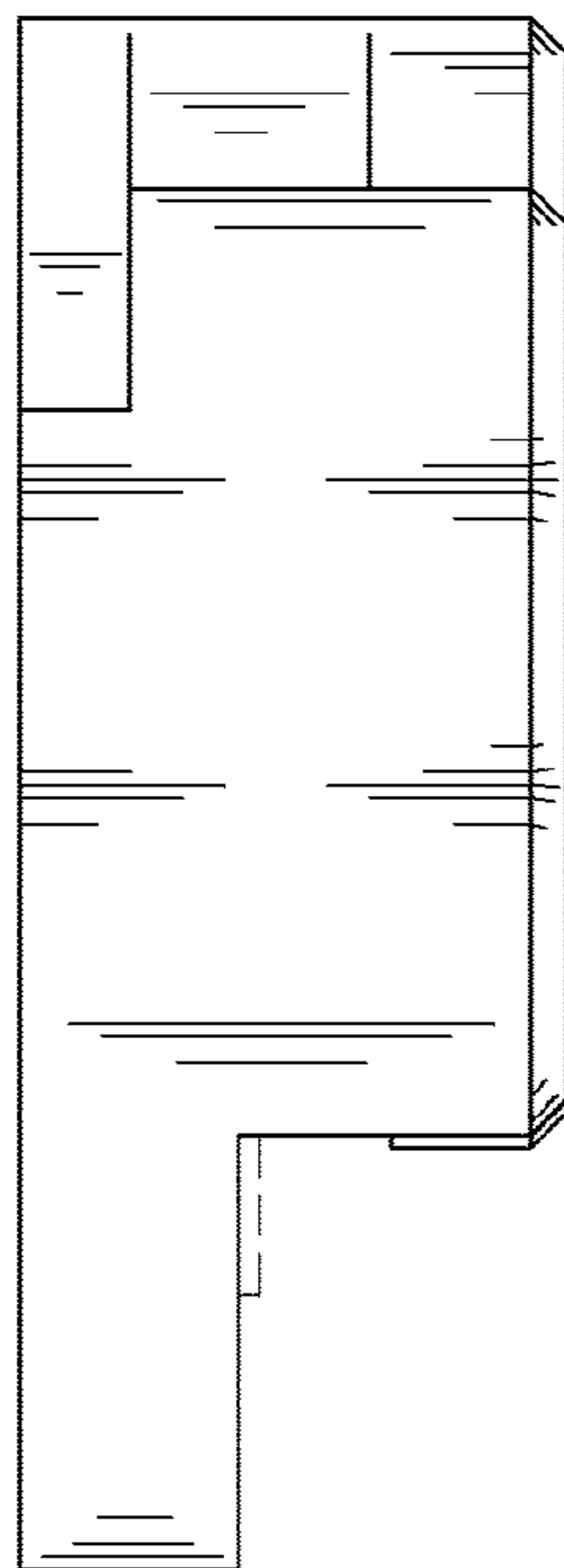


FIG. 7

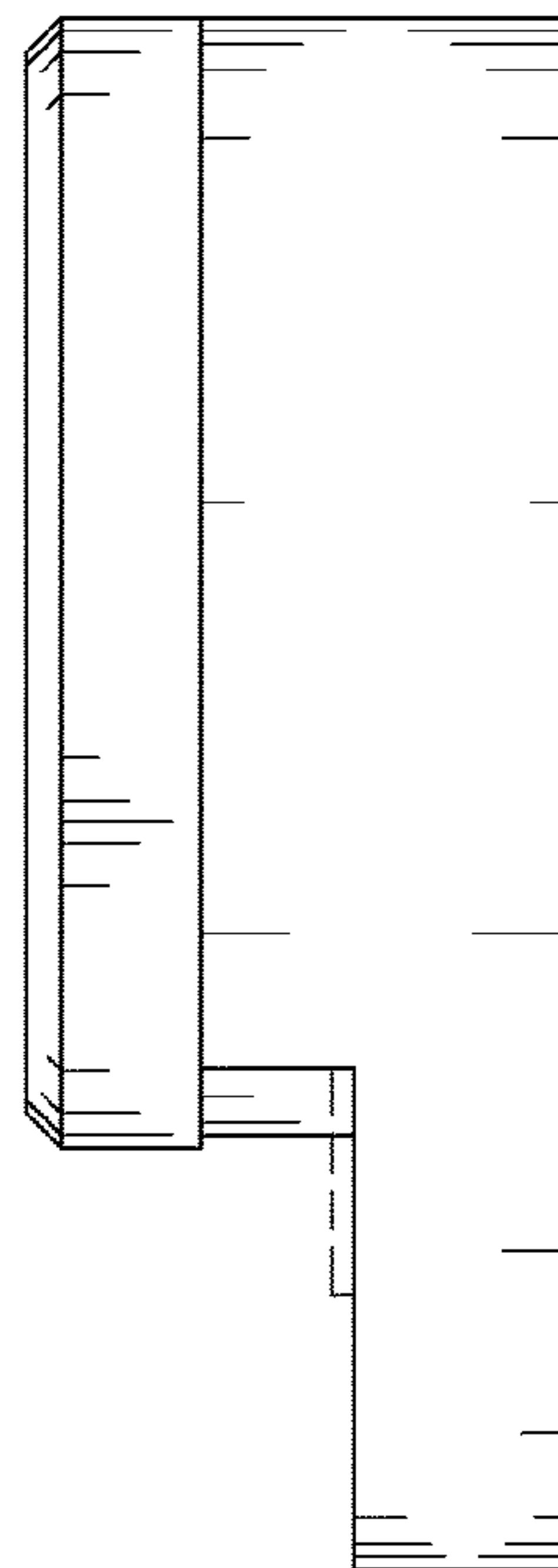


FIG. 8

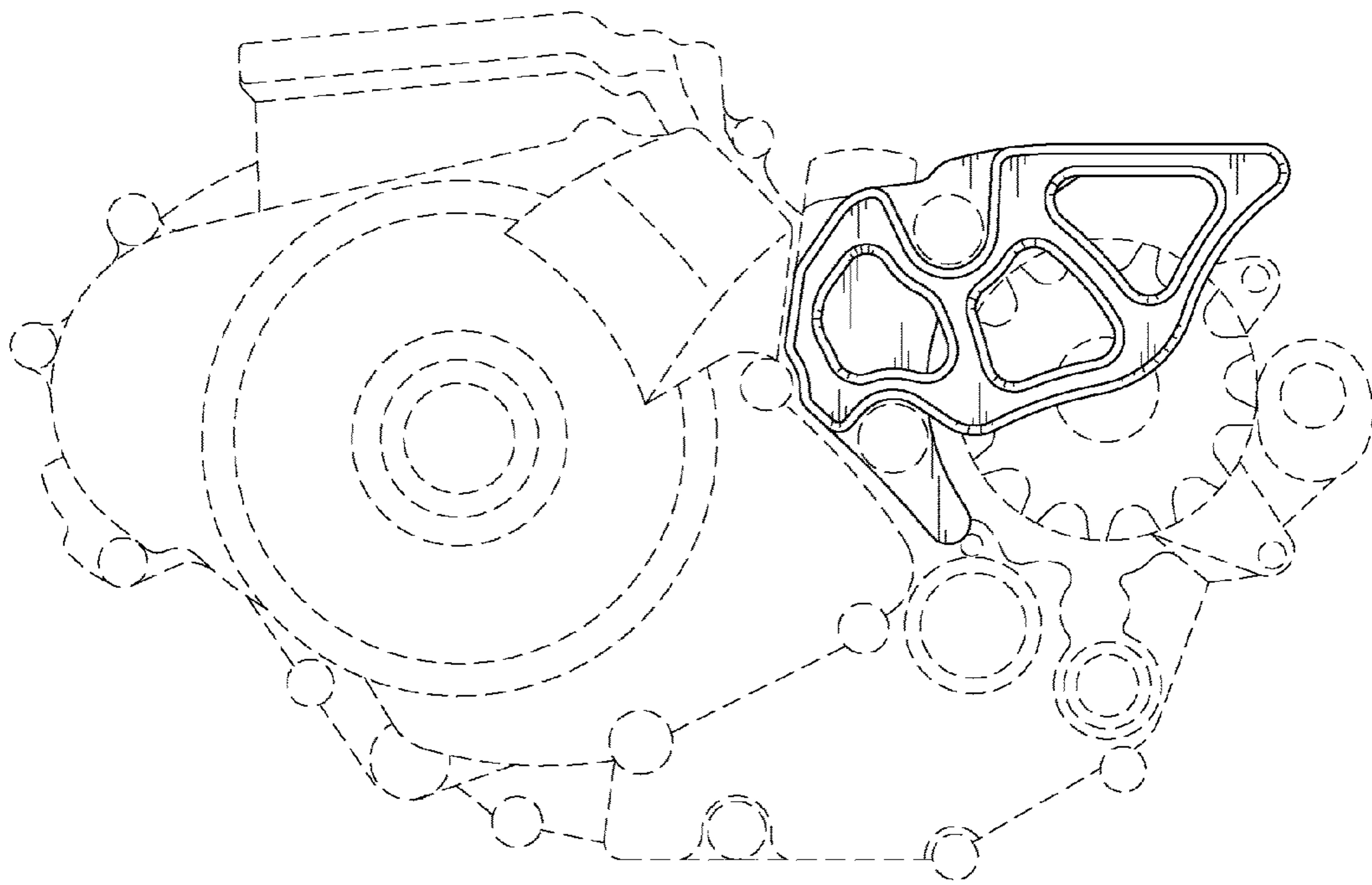


FIG. 9