



US00D621416S

(12) **United States Design Patent**
Miyaji et al.

(10) **Patent No.:** **US D621,416 S**
(45) **Date of Patent:** **** Aug. 10, 2010**

(54) **RECTIFIER OF THE AC GENERATOR FOR A VEHICLE**

6,577,032 B2 * 6/2003 Irie 310/68 D
6,707,691 B2 * 3/2004 Bradfield 363/145
6,787,952 B2 * 9/2004 Asao 310/68 D

(75) Inventors: **Wakaki Miyaji**, Chiyoda-ku (JP); **Kenji Nakao**, Chiyoda-ku (JP); **Yoshiro Imazawa**, Chiyoda-ku (JP)

FOREIGN PATENT DOCUMENTS

JP 2002142423 A 5/2002

* cited by examiner

Primary Examiner—Lisa P Lichtenstein

(74) *Attorney, Agent, or Firm*—Sughrue Mion, PLLC

(73) Assignee: **Mitsubishi Electric Corporation**, Tokyo (JP)

(**) Term: **14 Years**

(57) **CLAIM**

(21) Appl. No.: **29/295,328**

The ornamental design for a rectifier of the AC generator for a vehicle, as shown and described.

(22) Filed: **Sep. 26, 2007**

(30) **Foreign Application Priority Data**

DESCRIPTION

Mar. 26, 2007 (JP) 2007-007559

FIG. 1 is a front, top and right side perspective view of a rectifier of the AC generator for a vehicle, showing our new design;

(51) **LOC (9) Cl.** **15-01**

(52) **U.S. Cl.** **D15/5**

FIG. 2 is a front elevational view thereof;

(58) **Field of Classification Search** D15/1-5;
363/145, 144; 310/68 D

FIG. 3 is a rear elevational view thereof;

See application file for complete search history.

FIG. 4 is a top plan view thereof;

FIG. 5 is a bottom plan view thereof;

(56) **References Cited**

U.S. PATENT DOCUMENTS

543,648 A * 7/1895 Bradfield 111/41
5,812,388 A * 9/1998 Keidar et al. 363/145

FIG. 6 is a left side elevational view thereof; and,

FIG. 7 is a right side elevational view thereof.

1 Claim, 4 Drawing Sheets

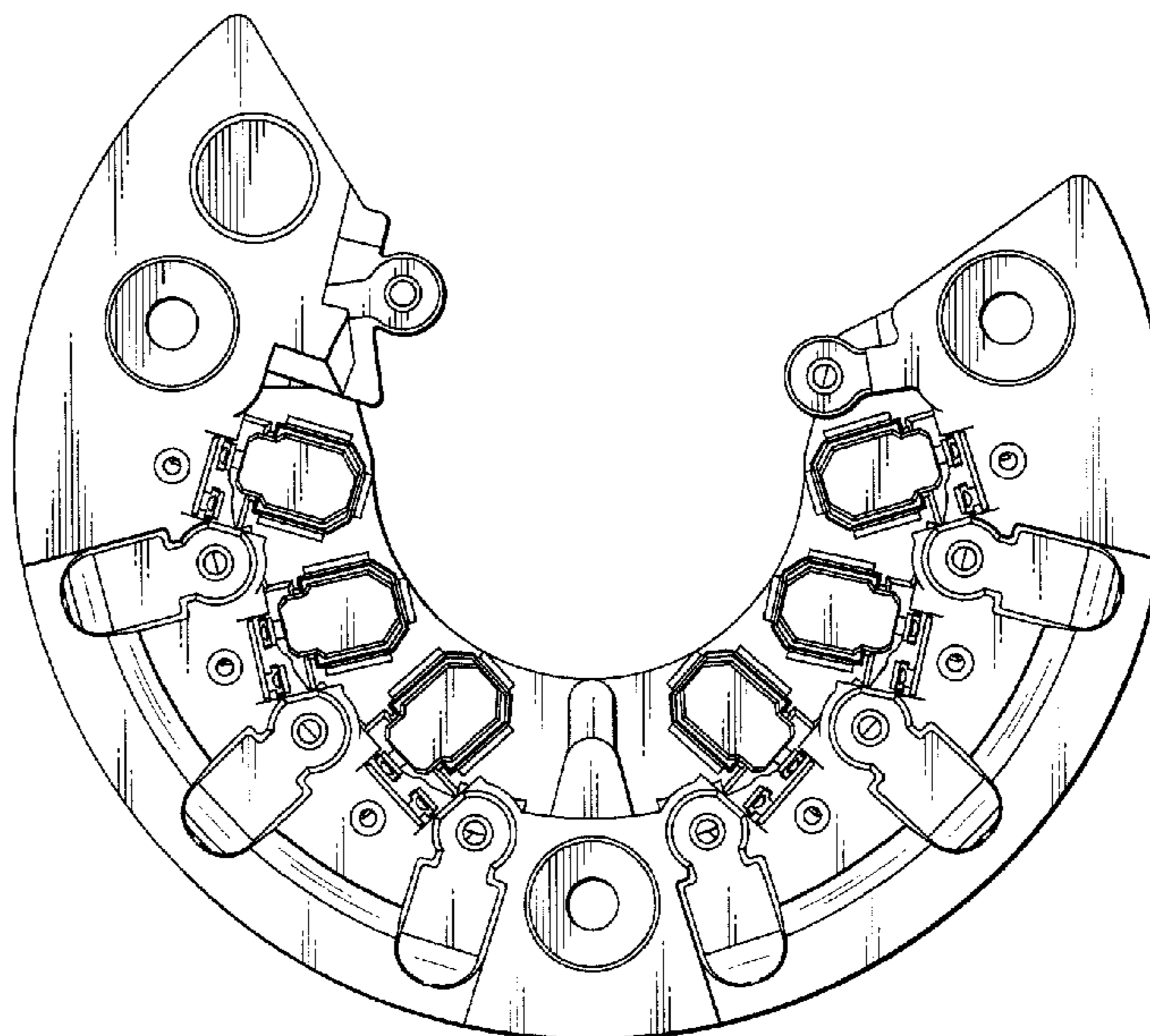
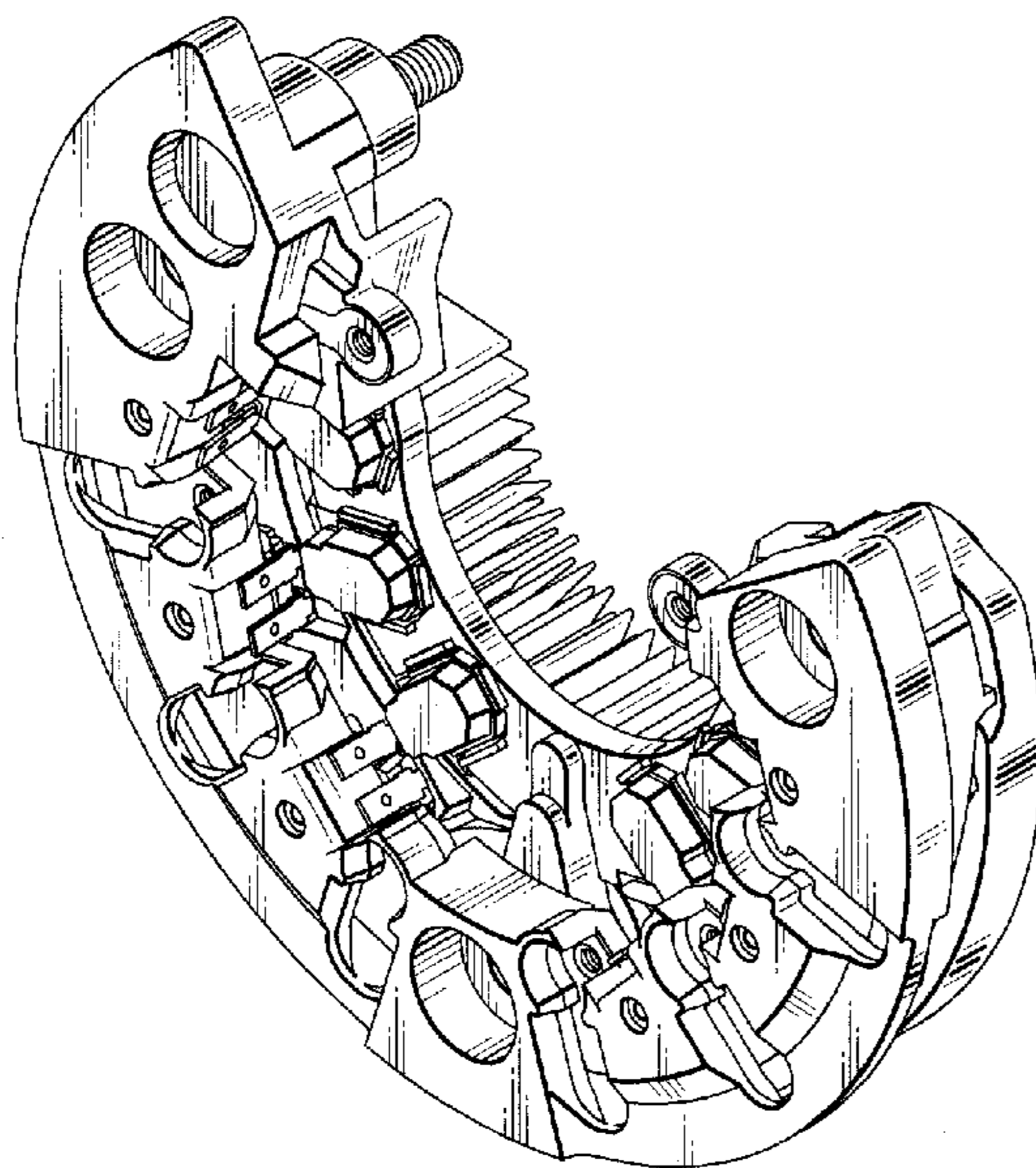


FIG. 1

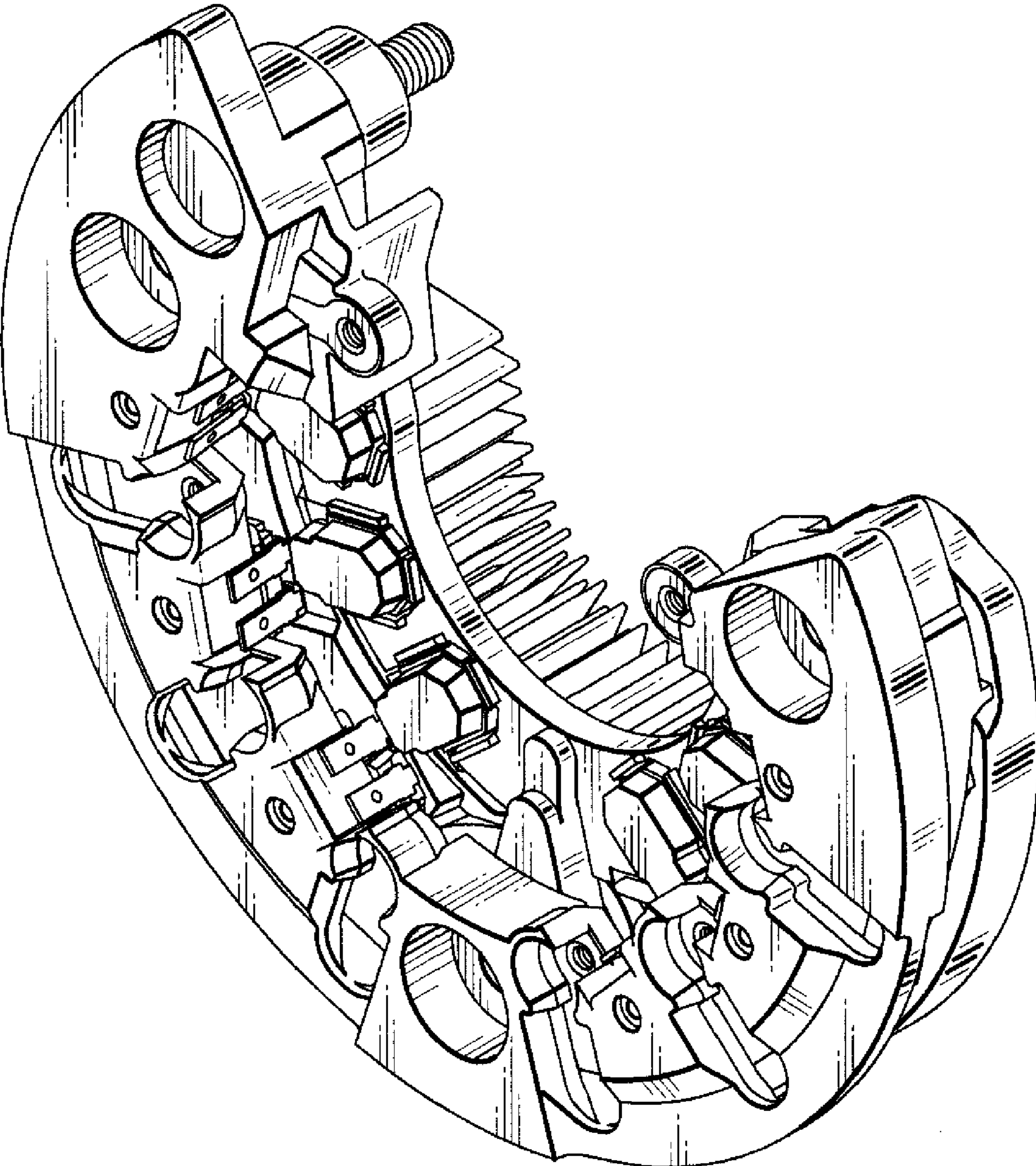


FIG.2

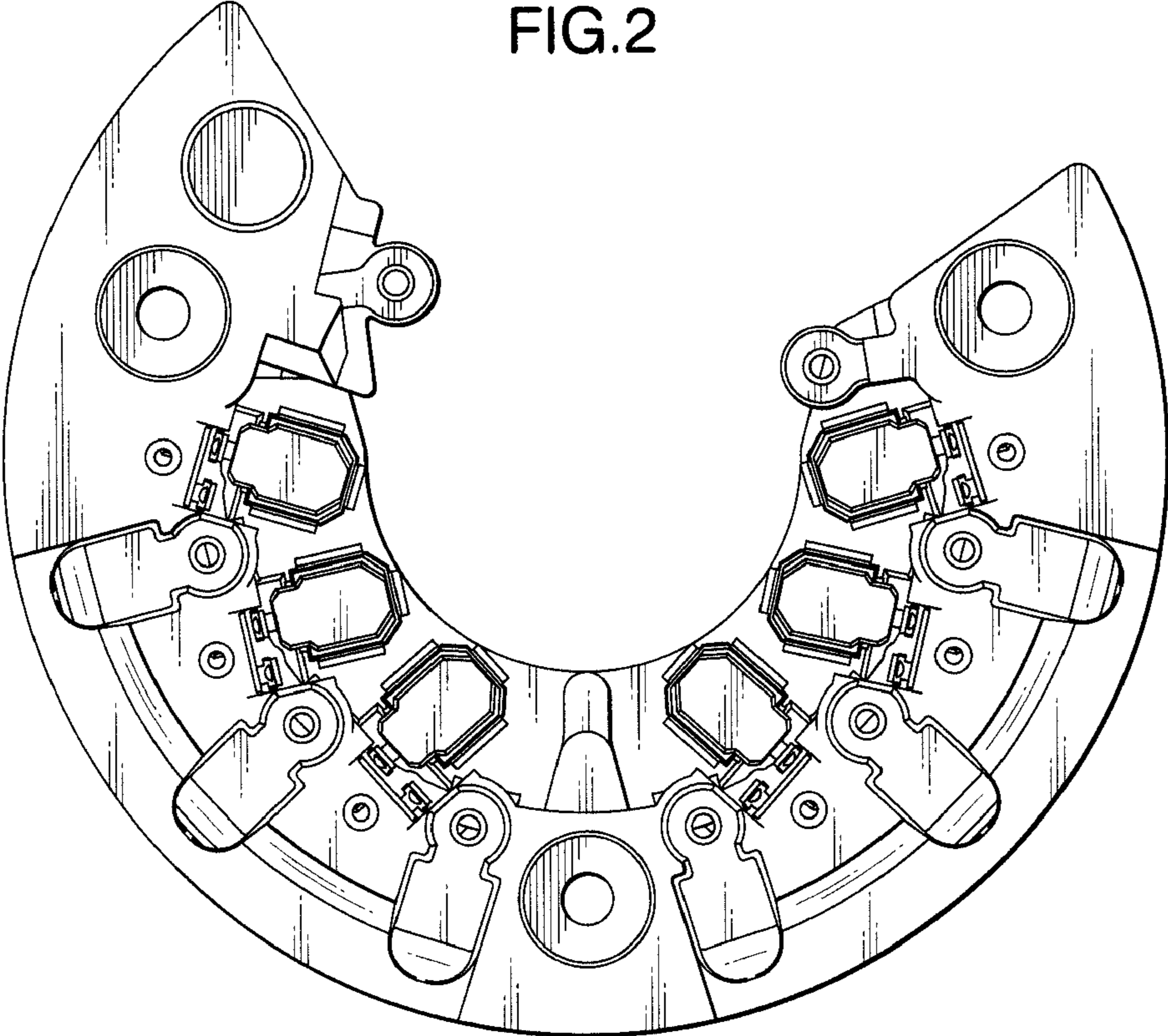


FIG.3

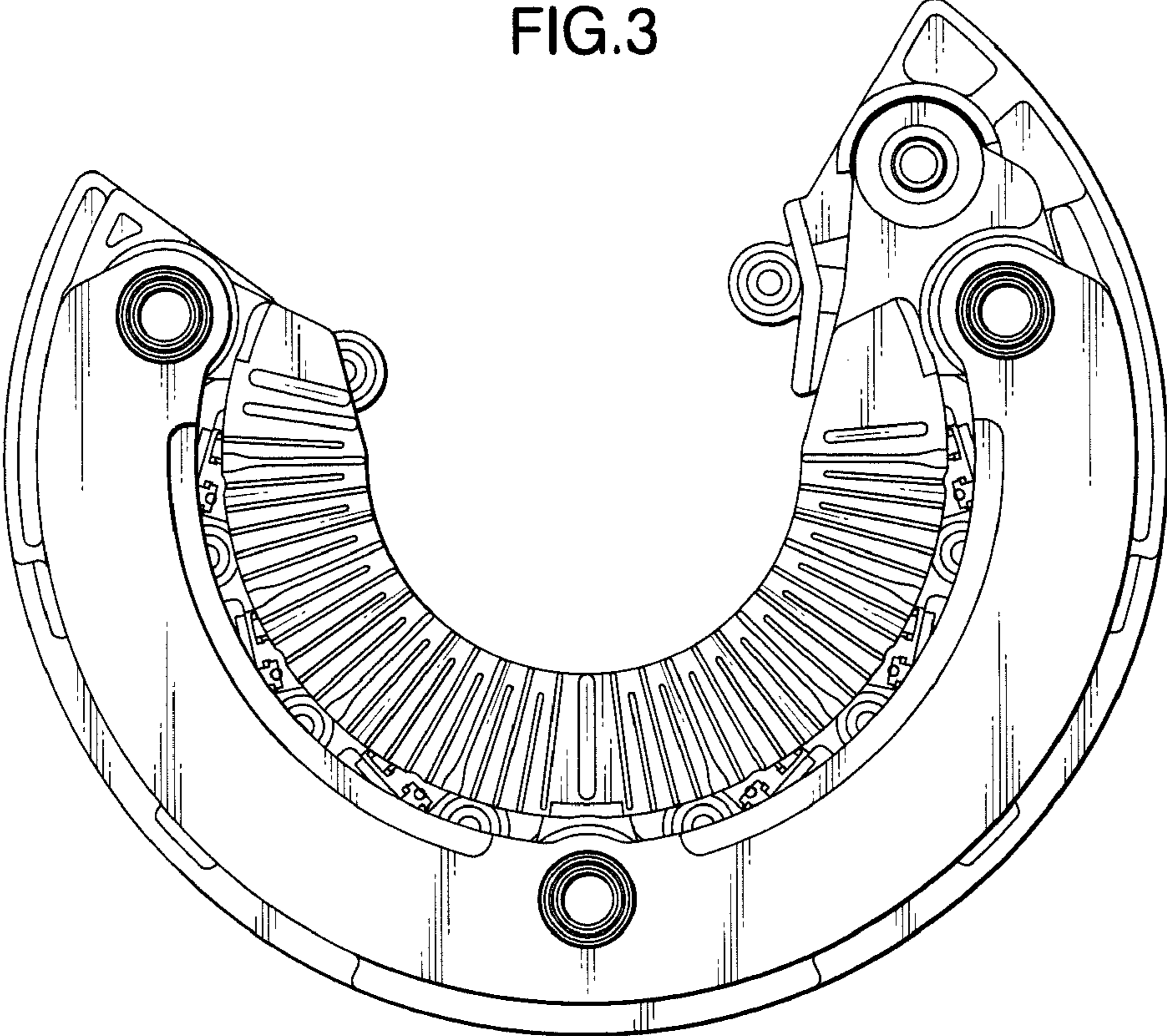


FIG.4

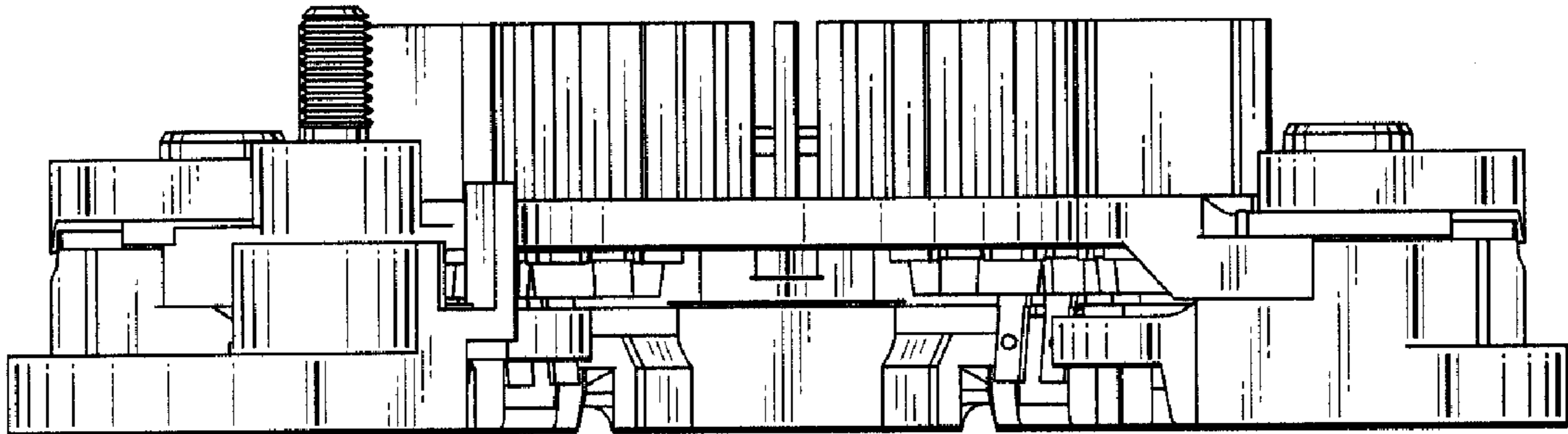


FIG.5

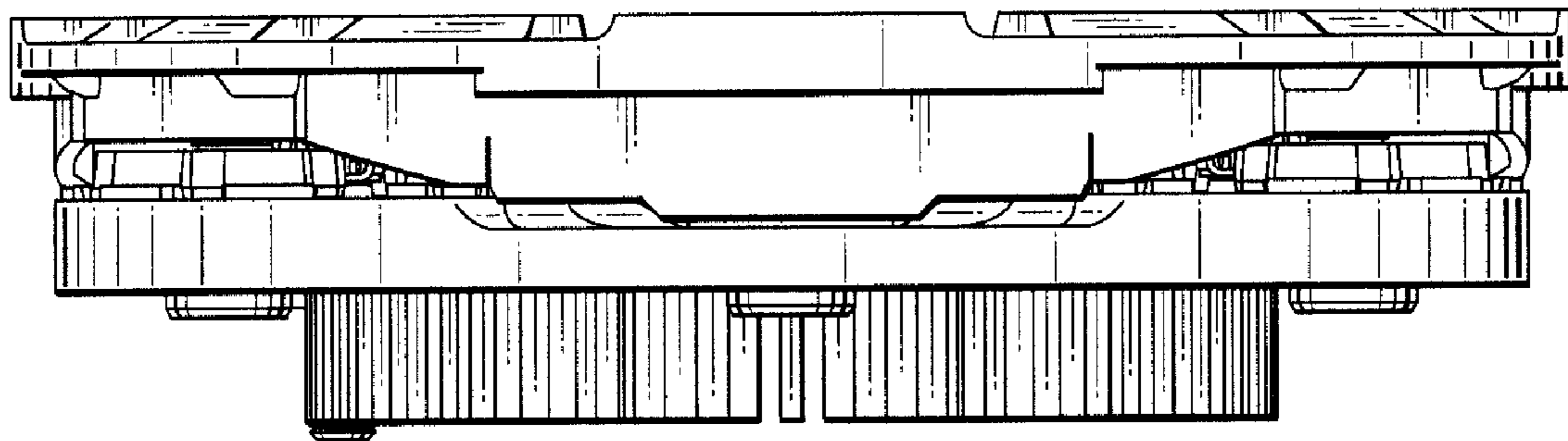


FIG.6

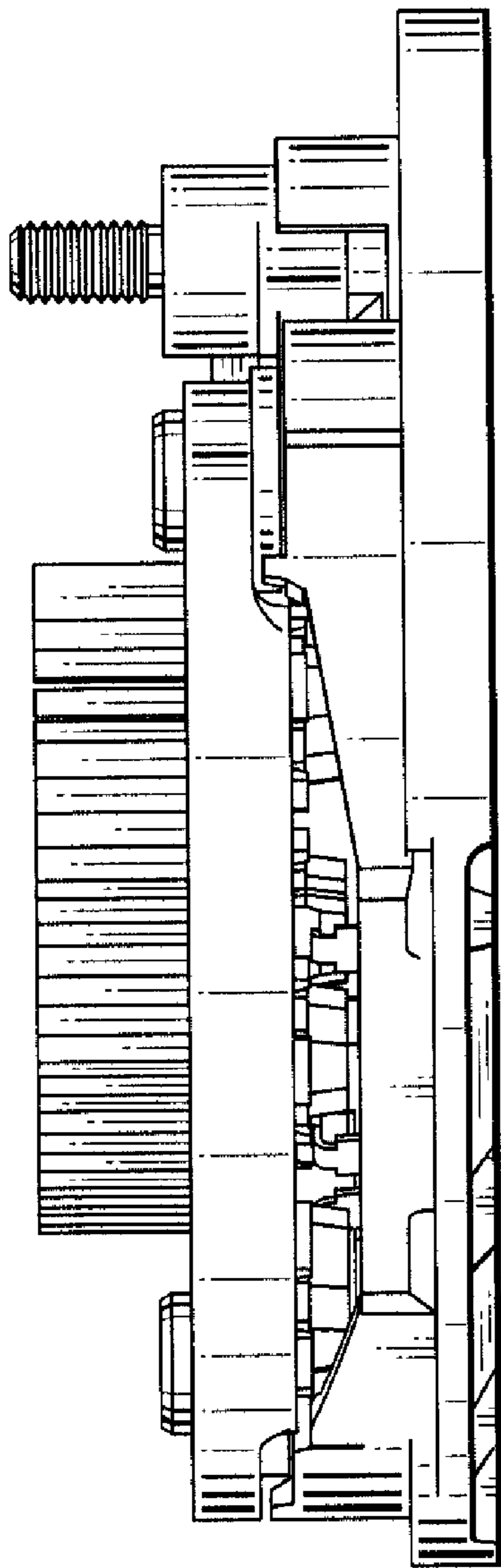


FIG.7

