



US00D621408S

(12) **United States Design Patent**
Okoshi et al.

(10) **Patent No.:** **US D621,408 S**
(45) **Date of Patent:** **** Aug. 10, 2010**

(54) **DISPLAY**

(75) Inventors: **Yoichiro Okoshi**, Minato-ku (JP); **Jieren Cheng**, Zhonghe (TW)

(73) Assignee: **NEC Display Solutions, Ltd.**, Tokyo (JP)

(**) Term: **14 Years**

(21) Appl. No.: **29/343,290**

(22) Filed: **Sep. 10, 2009**

(30) **Foreign Application Priority Data**

Mar. 30, 2009 (JP) 2009-007203

(51) **LOC (9) Cl.** **08-07**

(52) **U.S. Cl.** **D14/451**

(58) **Field of Classification Search** D14/447, D14/451, 452, 432, 439, 448, 457, 203.8, D14/217, 224, 224.1, 238.1, 239, 251, 252, D14/253, 371, 372, 373, 374, 375, 376, 377, D14/378, 379, 381, 382, 434, 126; D6/310, D6/311, 312, 313, 314, 406.3, 406.4, 406.5, D6/406.6, 419, 420; D8/383, 373, 380; D12/415; 379/454, 455; 312/223.3; 248/917, 918, 248/919, 920, 921, 922, 923, 924, 447.2, 248/455, 460, 228.6, 276.1, 281.11; 361/679.02, 361/679.04, 679.06, 679.07, 679.09, 679.21, 361/679.26, 679.27, 679.3, 679.55, 679.56
See application file for complete search history.

(56) **References Cited**

U.S. PATENT DOCUMENTS

D463,409 S * 9/2002 Niitsu D14/239
D479,237 S * 9/2003 Juan D14/375
D547,755 S * 7/2007 Wang et al. D14/239
D556,757 S * 12/2007 Kim et al. D14/375

D576,622 S * 9/2008 Park D14/371
D584,729 S * 1/2009 Kim et al. D14/374
D586,811 S * 2/2009 Kim et al. D14/374
D592,664 S * 5/2009 Lee et al. D14/375
D600,246 S * 9/2009 Yuuki et al. D14/451
7,628,375 B2 * 12/2009 Jung et al. 248/676
D610,143 S * 2/2010 Park et al. D14/374
2004/0217244 A1 * 11/2004 Wu et al. 248/278.1
2007/0215762 A1 * 9/2007 Lee et al. 248/125.7

* cited by examiner

Primary Examiner—Jennifer Rivard

Assistant Examiner—Angela J Lee

(74) *Attorney, Agent, or Firm*—Sughrue Mion, PLLC

(57) **CLAIM**

The ornamental design for a display, as shown and described.

DESCRIPTION

FIG. 1 is a front, right side, top perspective view of a display showing our new design;

FIG. 2 is a front elevational view thereof;

FIG. 3 is a rear elevational view thereof;

FIG. 4 is a left side view thereof;

FIG. 5 is a right side view thereof;

FIG. 6 is a top plan view thereof;

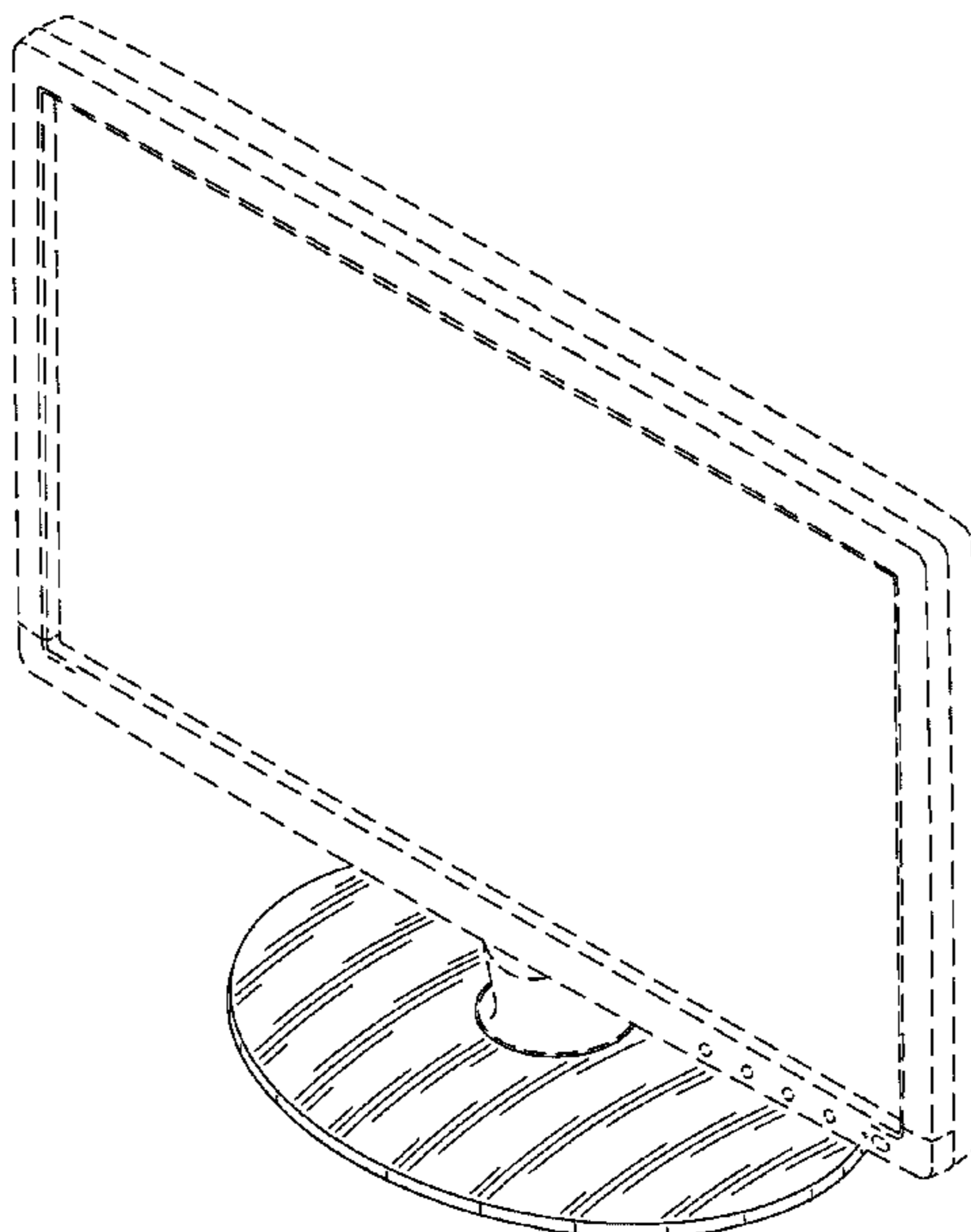
FIG. 7 is a bottom plan view thereof;

FIG. 8 is an enlarged partial view thereof, taken along line 8—8 of FIG. 2; and,

FIG. 9 is a cross-sectional view thereof, taken along line 9—9 of FIG. 8.

The portions of the display in broken lines are shown for illustrative purposes only and form no part of the claimed design.

1 Claim, 7 Drawing Sheets



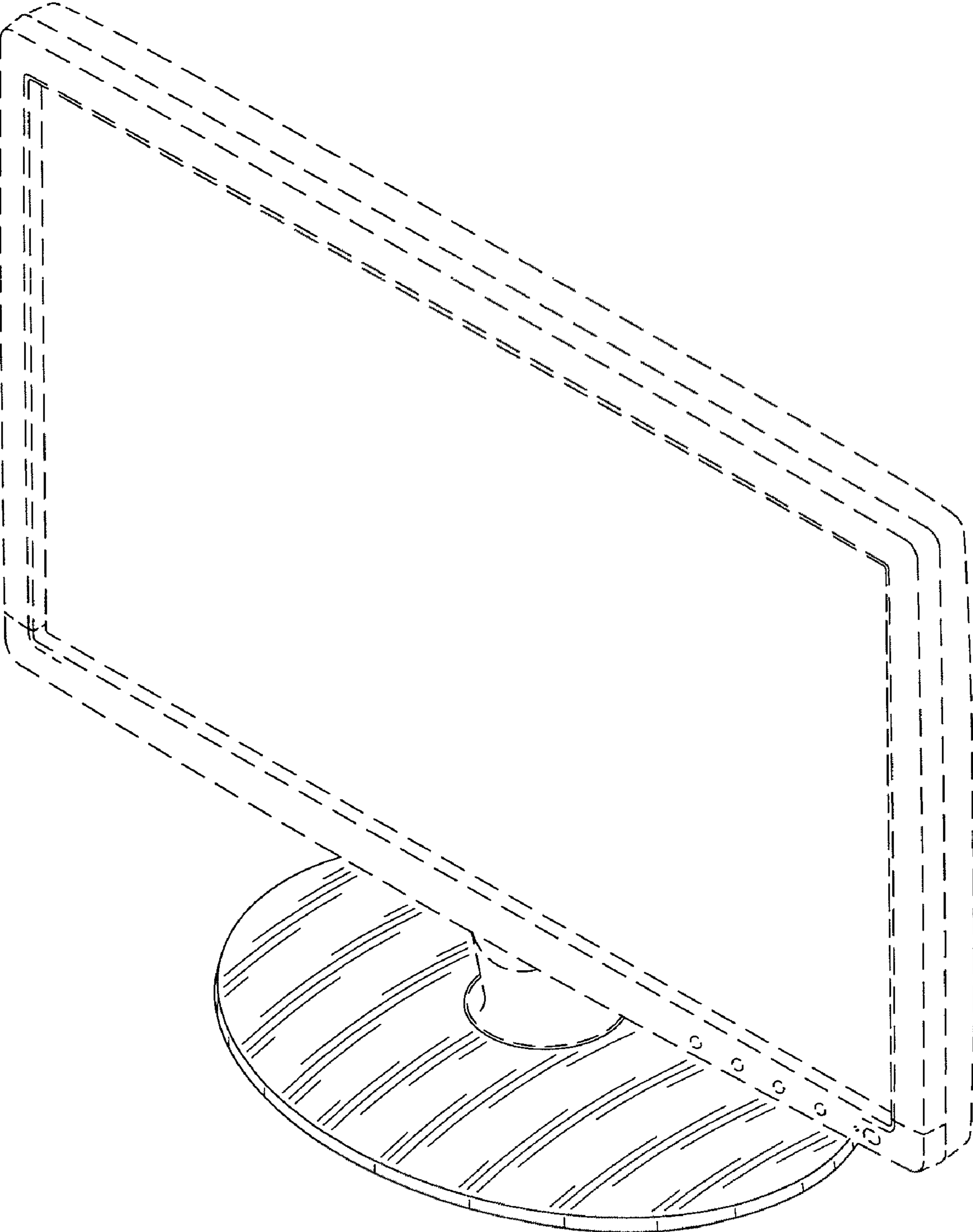


FIG. 1

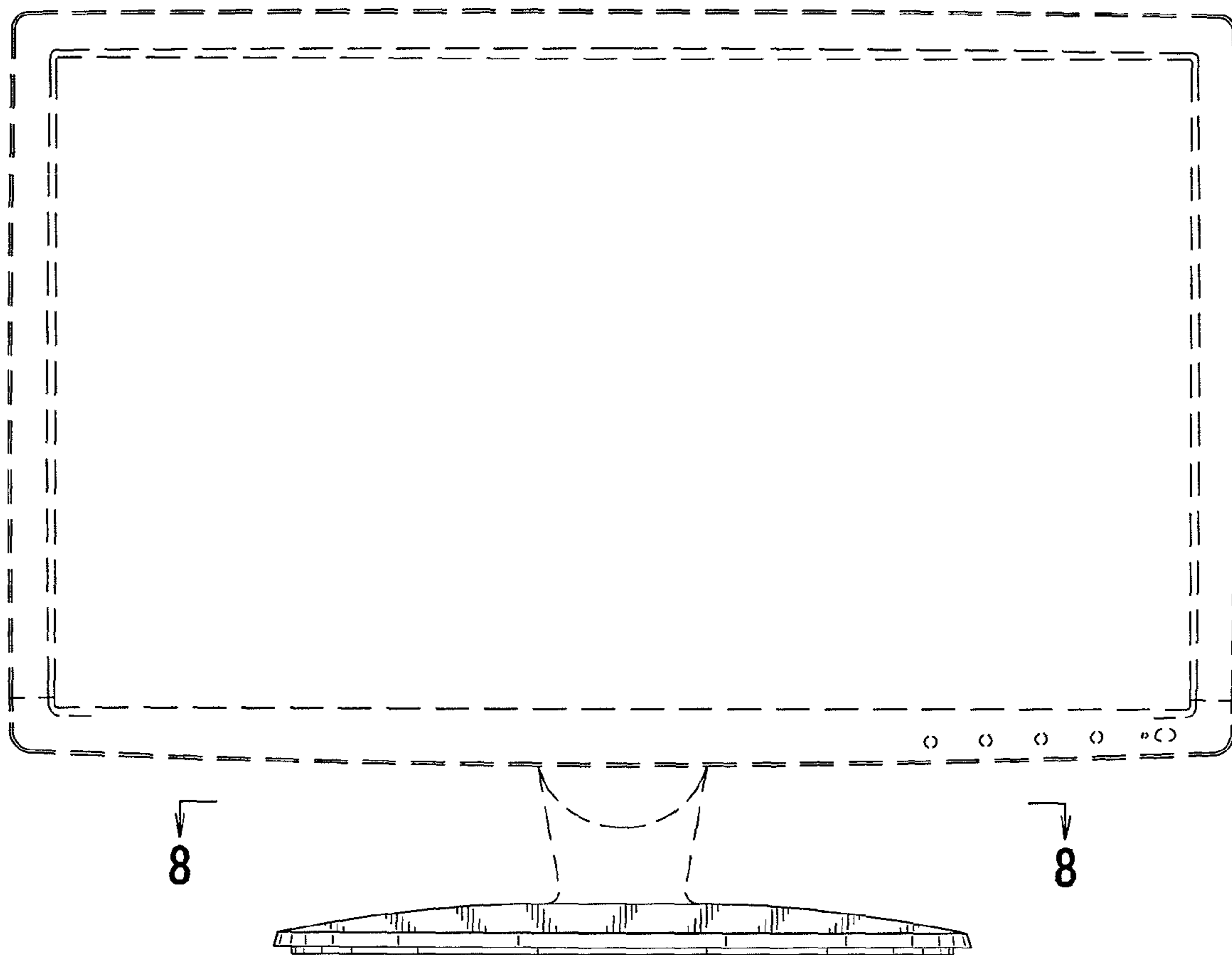


FIG. 2

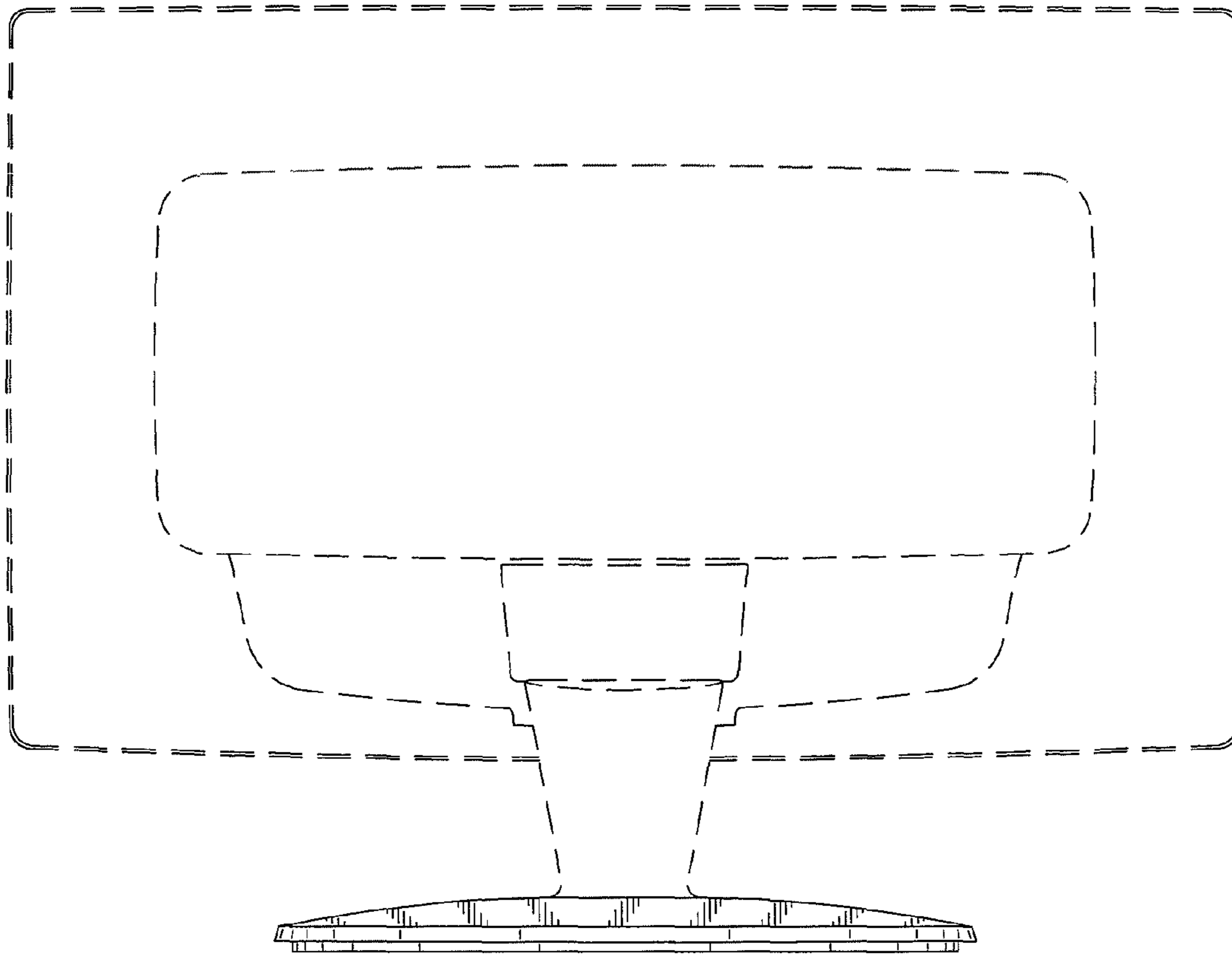


FIG. 3

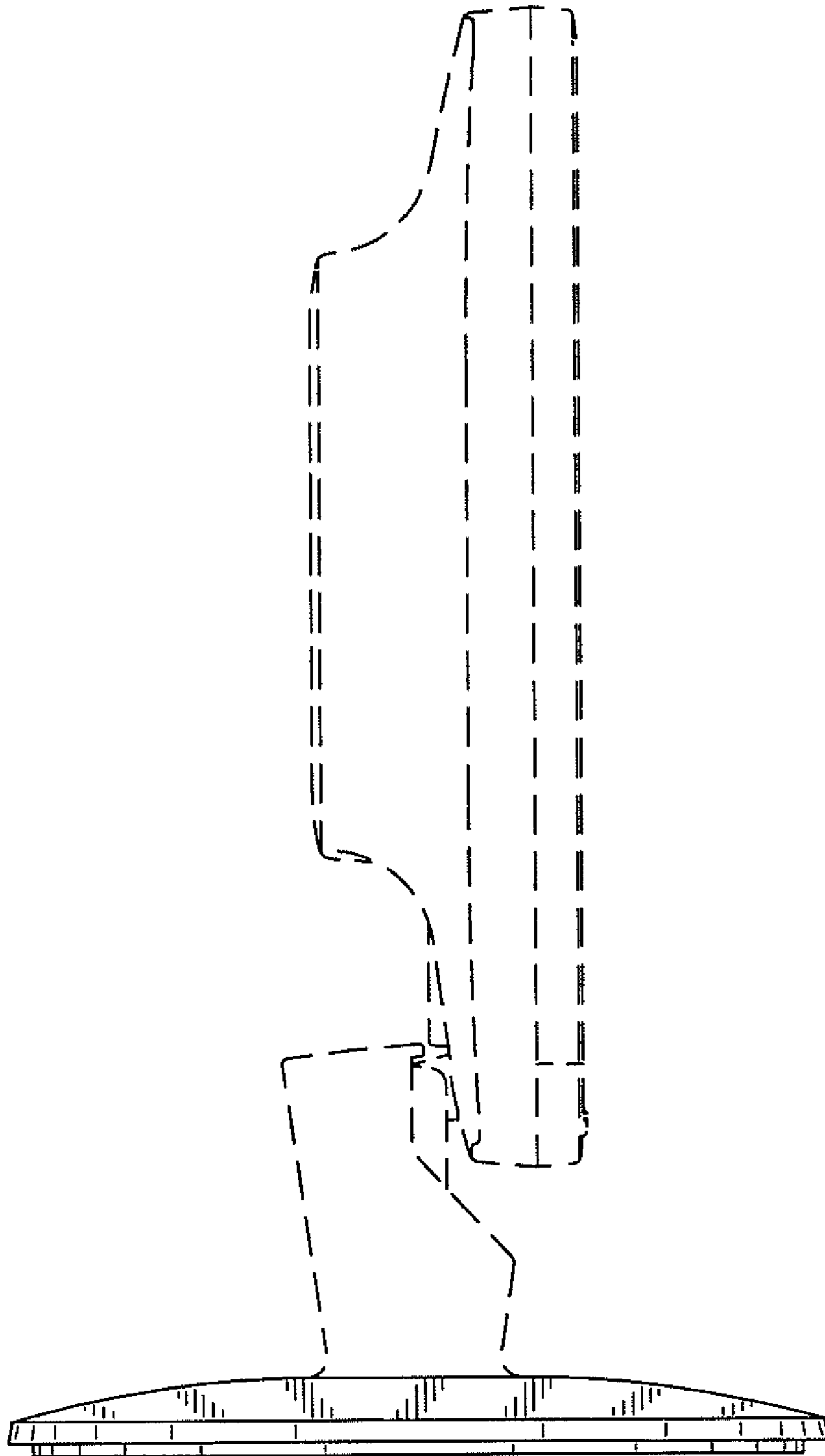


FIG. 4

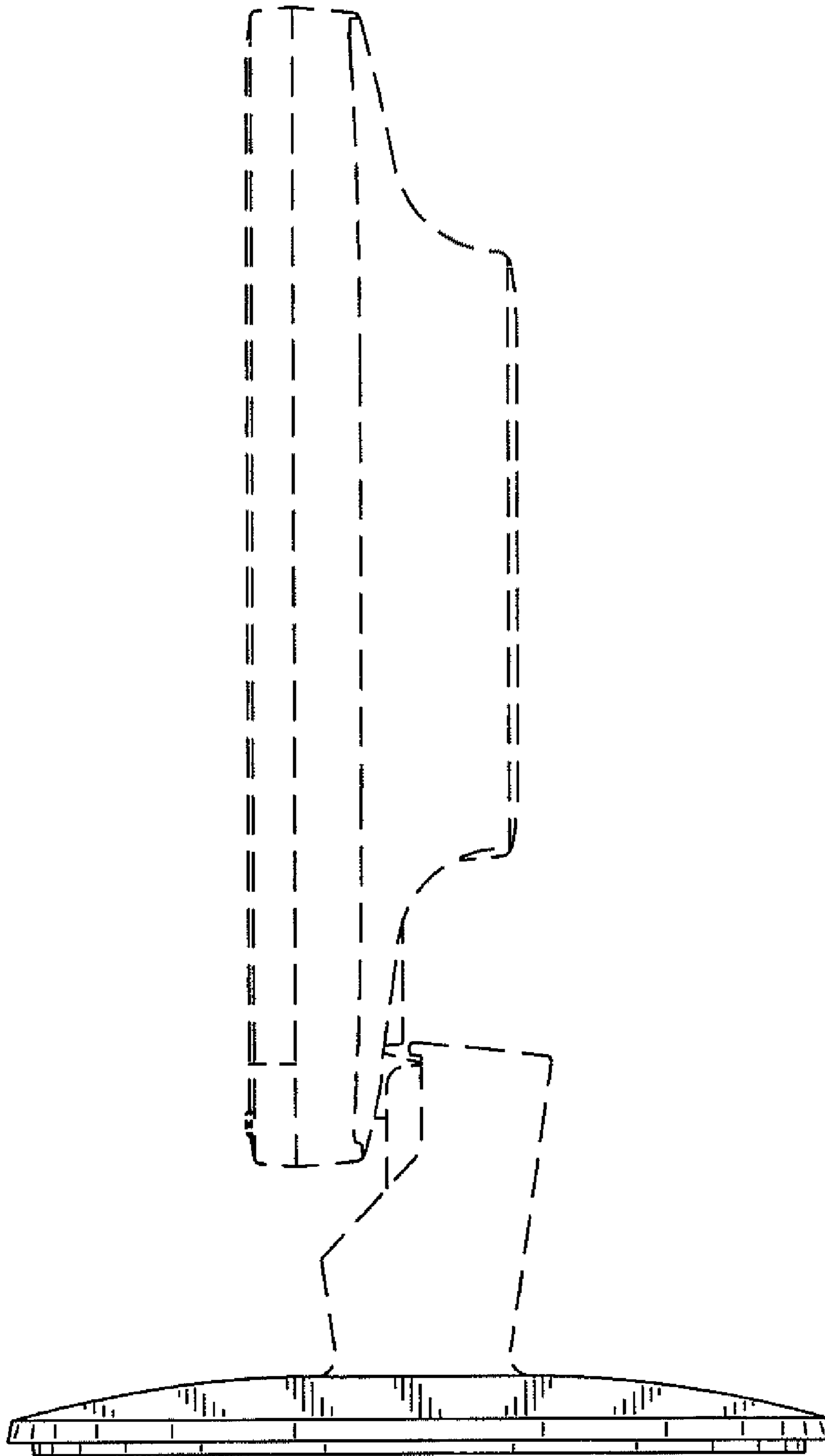


FIG. 5

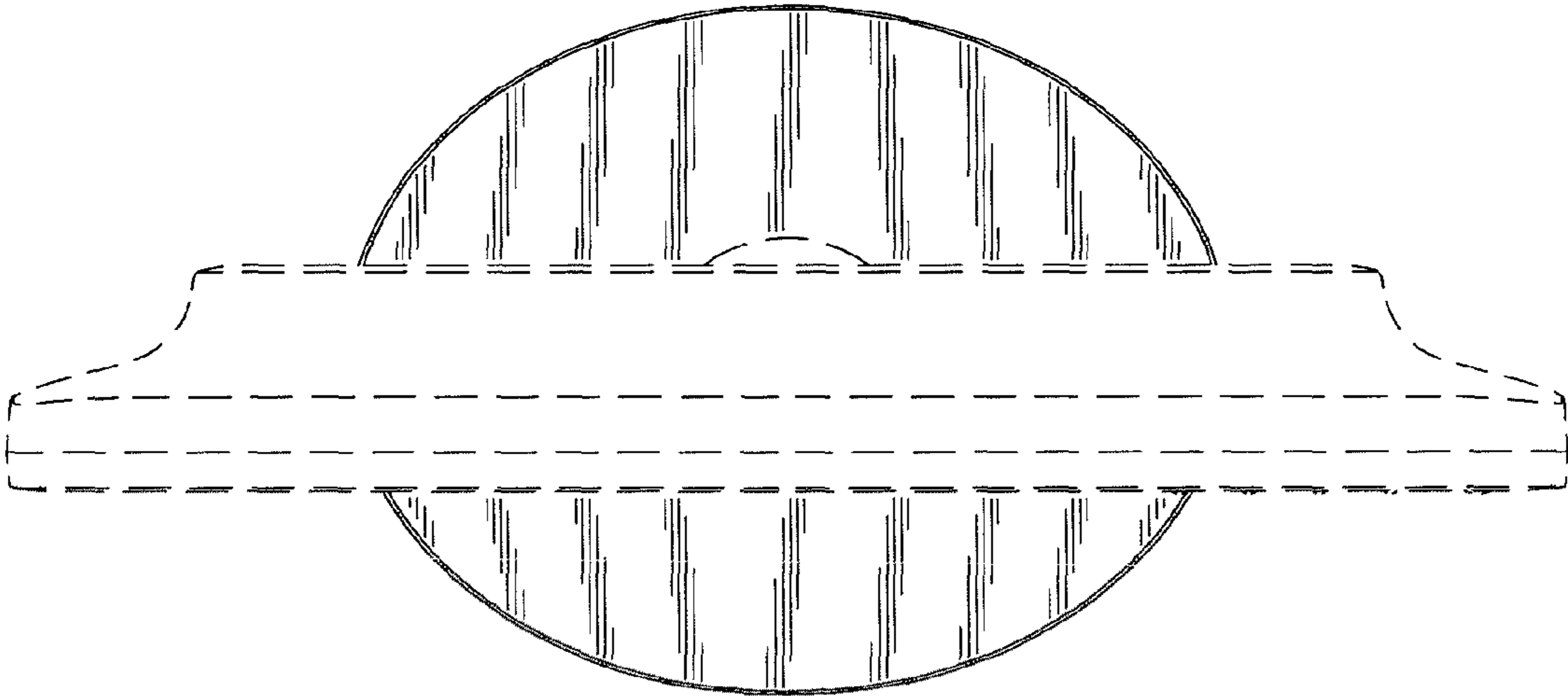


FIG. 6

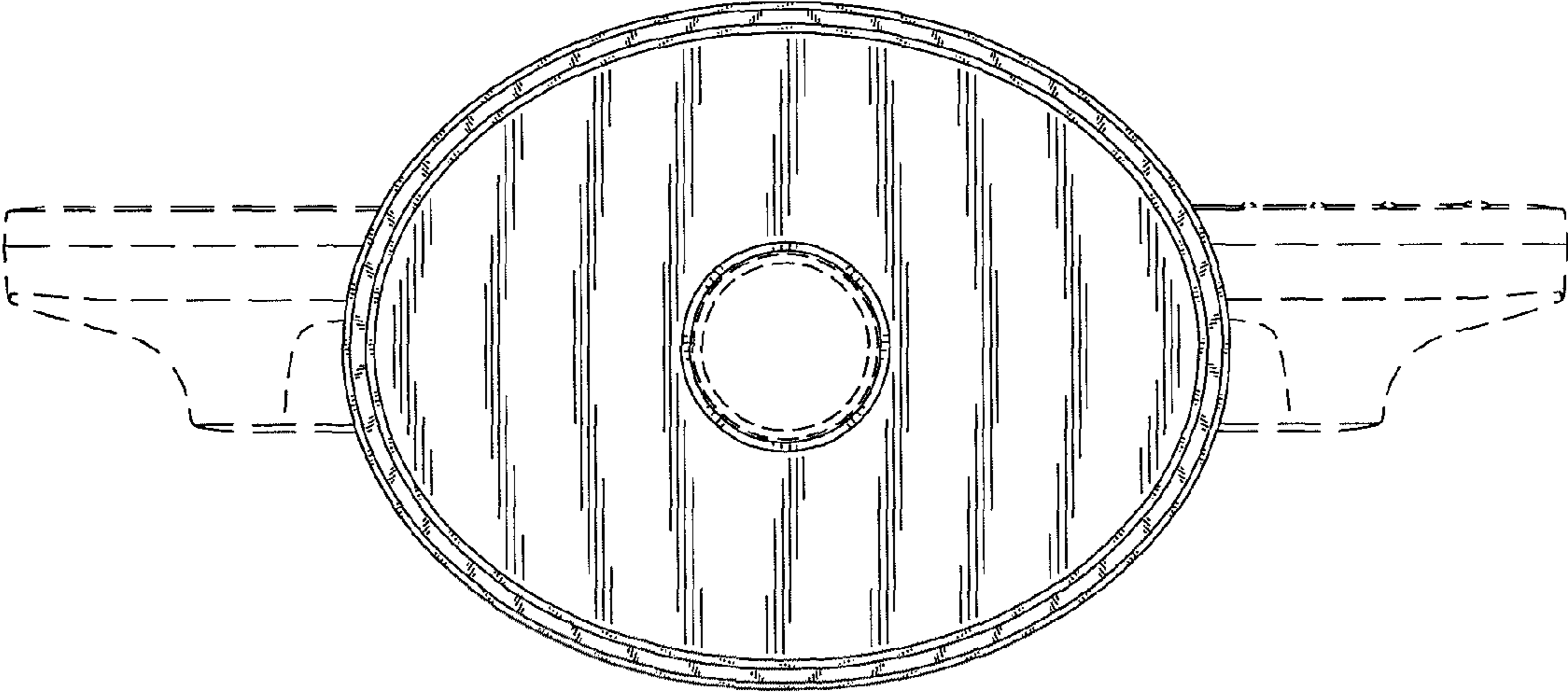


FIG. 7

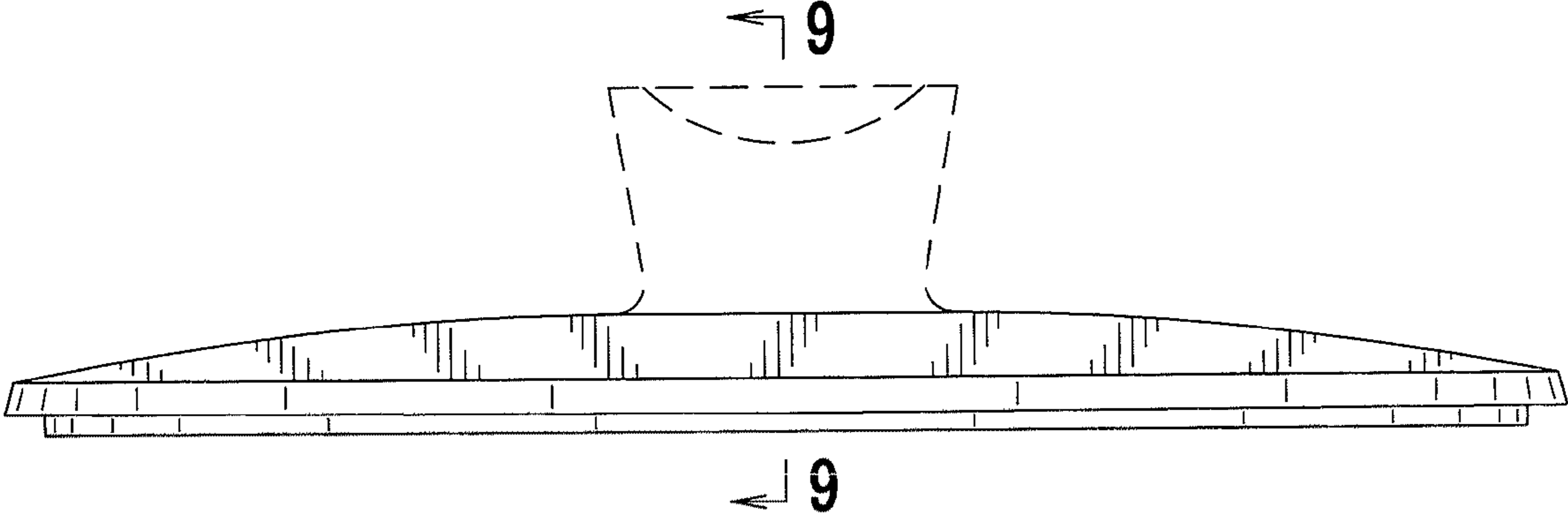


FIG. 8

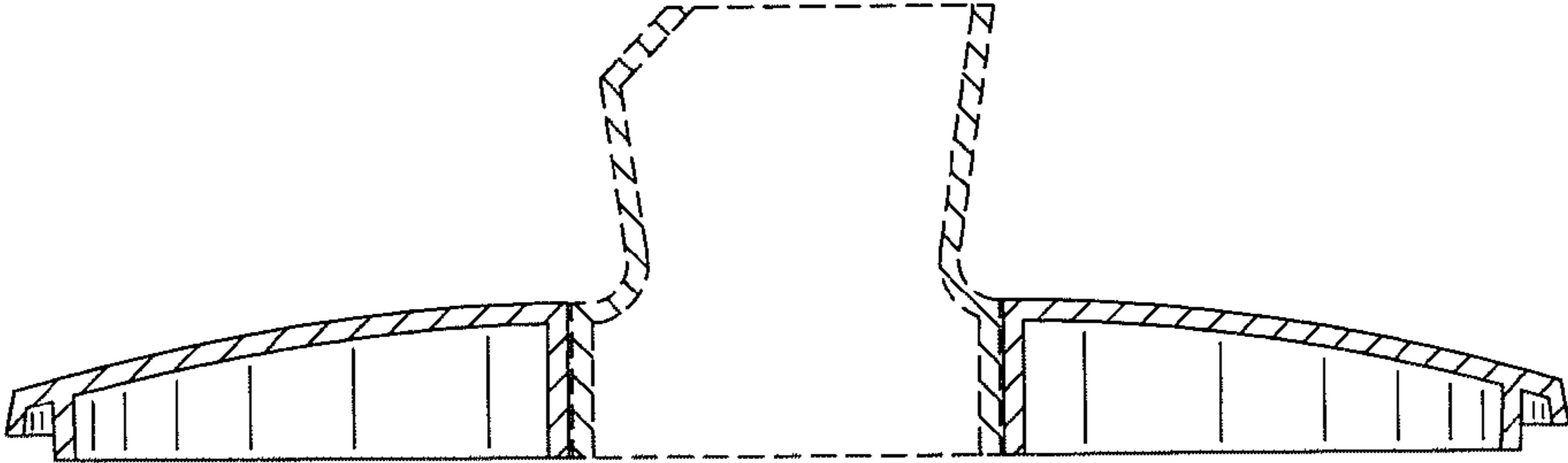


FIG. 9