



US00D621407S

(12) **United States Design Patent**
Simonsen

(10) **Patent No.:** **US D621,407 S**

(45) **Date of Patent:** **** Aug. 10, 2010**

(54) **COMPUTER ATTACHMENT FOR
PHOTOGRAPHS AND INFORMATION
CARDS**

(76) Inventor: **Mary Ellen Simonsen**, 13901 1/2
Burbank Blvd., Sherman Oaks, CA (US)
91401

(**) Term: **14 Years**

(21) Appl. No.: **29/315,826**

(22) Filed: **Jul. 28, 2009**

(51) **LOC (9) Cl.** **14-02**

(52) **U.S. Cl.** **D14/448**

(58) **Field of Classification Search** D14/448,
D14/449, 450, 451, 452, 432, 439, 440, 305,
D14/306, 307, 336, 339, 340, 356, 371, 372,
D14/373, 374, 375, 376, 377, 378, 379, 380,
D14/381, 382, 125, 126, 127, 128, 129, 239;
D6/300, 308; D3/218, 271.2; D19/26, 27,
D19/32, 33, 91; 348/794, 832; 361/679.21;
248/917, 918, 919, 920, 921, 922, 923, 924,
248/442.2; 345/32, 609, 738; 349/58; 206/320;
40/765, 771

See application file for complete search history.

(56) **References Cited**

U.S. PATENT DOCUMENTS

D316,275 S * 4/1991 Davis et al. D19/91
D357,008 S * 4/1995 Pohlman D14/448
D393,004 S * 3/1998 Foster D19/91
5,901,937 A * 5/1999 Compeau et al. 248/442.2

5,988,582 A * 11/1999 Olivo 248/442.2
D445,109 S * 7/2001 Tracy D14/374
6,398,178 B1 * 6/2002 Azola et al. 248/442.2
D461,190 S * 8/2002 Bell D14/448
D471,230 S * 3/2003 Bills D19/33
6,543,168 B1 * 4/2003 Moore 40/747
D508,695 S * 8/2005 Vaughn D14/448
6,983,919 B2 * 1/2006 Kroggel 248/442.2
D564,020 S * 3/2008 Brown D19/26

* cited by examiner

Primary Examiner—Jennifer Rivard

Assistant Examiner—Angela J Lee

(74) *Attorney, Agent, or Firm*—Rodgers & Rodgers

(57) **CLAIM**

The ornamental design for a computer attachment for photographs and information cards, as shown and described.

DESCRIPTION

FIG. 1 is a perspective view of a computer attachment for photographs and information cards showing my new design;

FIG. 2 is a front elevational view thereof;

FIG. 3 is a rear elevational view thereof;

FIG. 4 is a top plan view thereof;

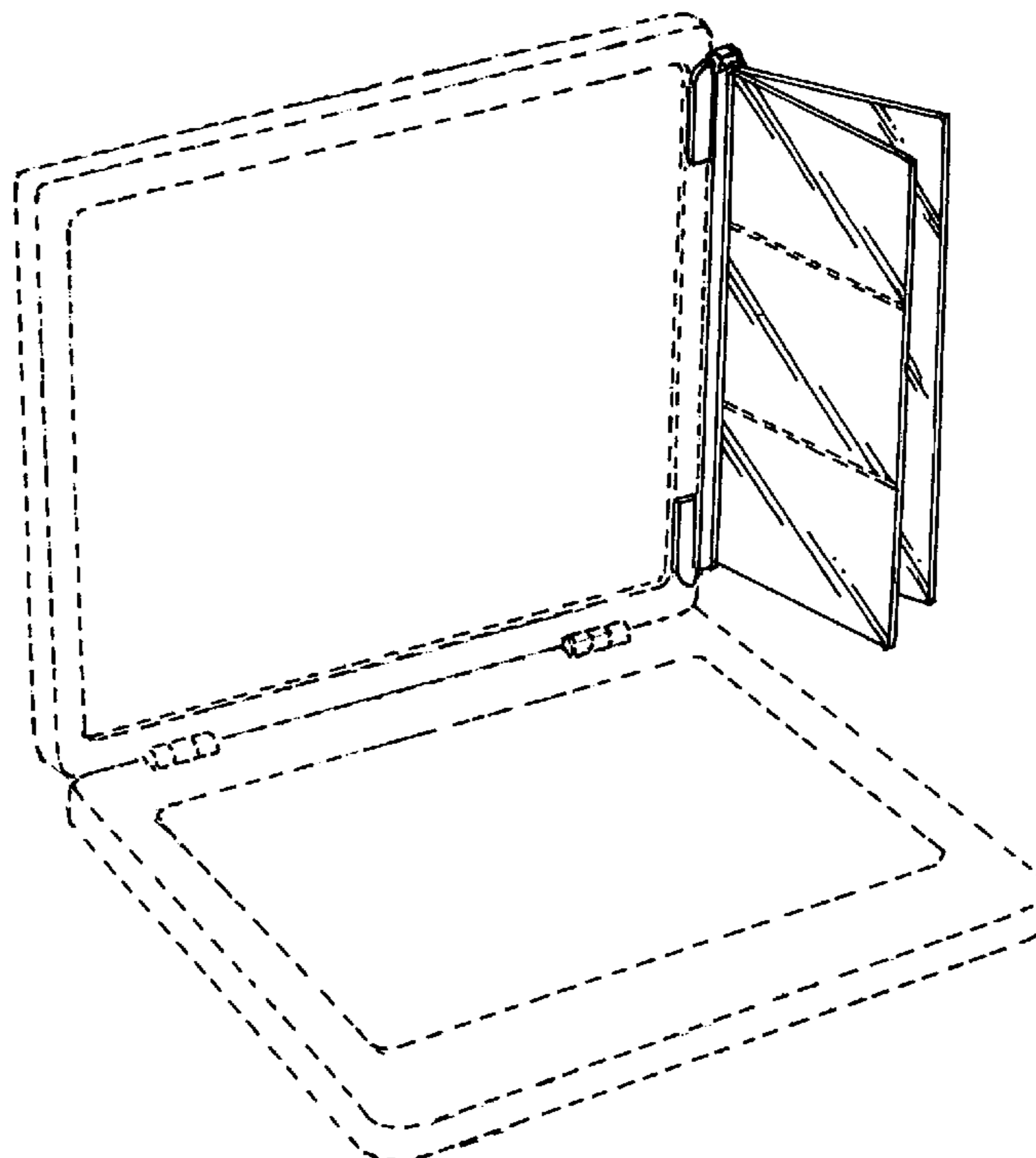
FIG. 5 is a bottom plan view thereof;

FIG. 6 is a left-side elevational view thereof; and,

FIG. 7 is a right-side elevational view thereof.

The broken lines are included for the purpose of showing environment and form no part of the claimed design.

1 Claim, 3 Drawing Sheets



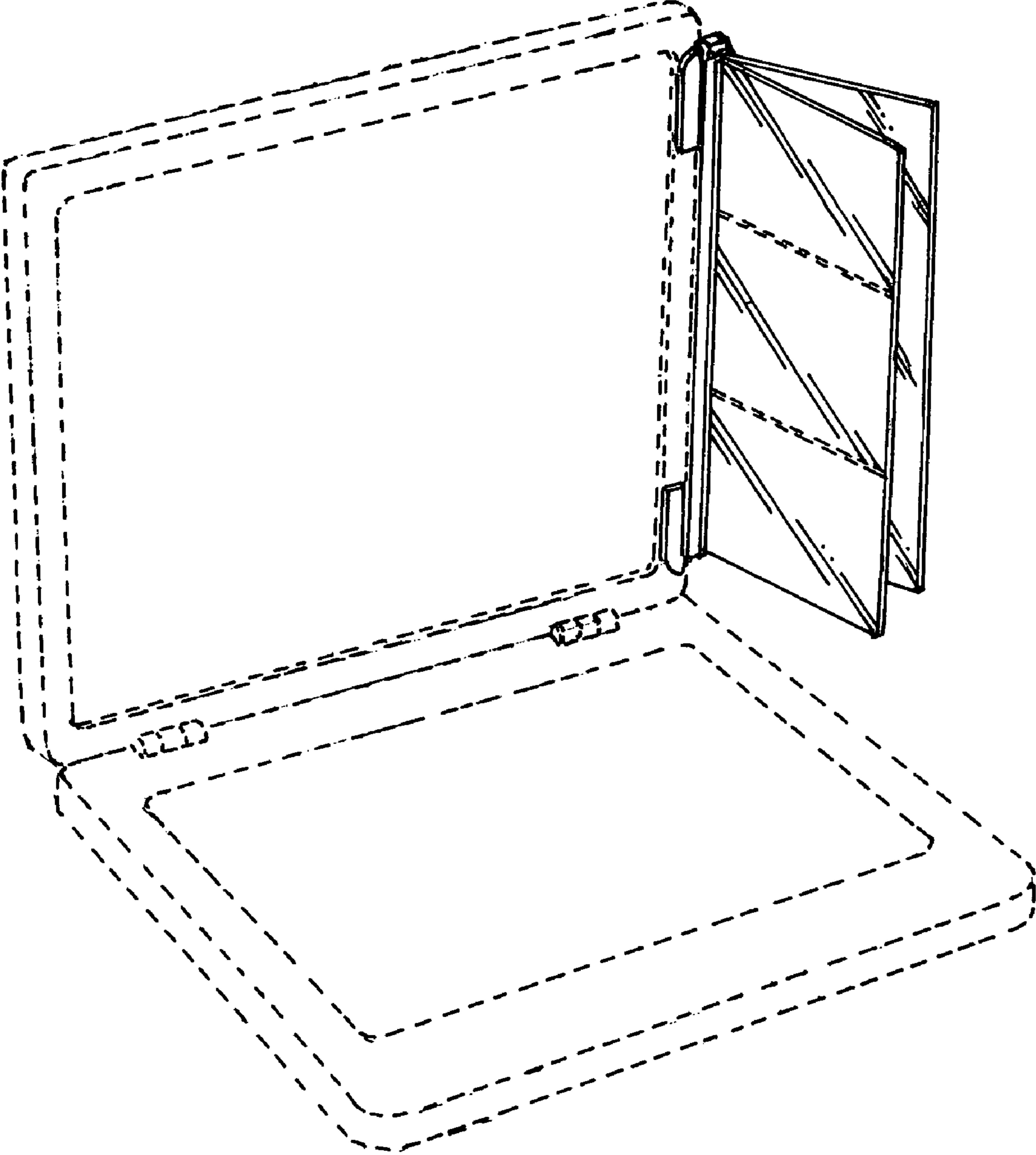


FIG. 1

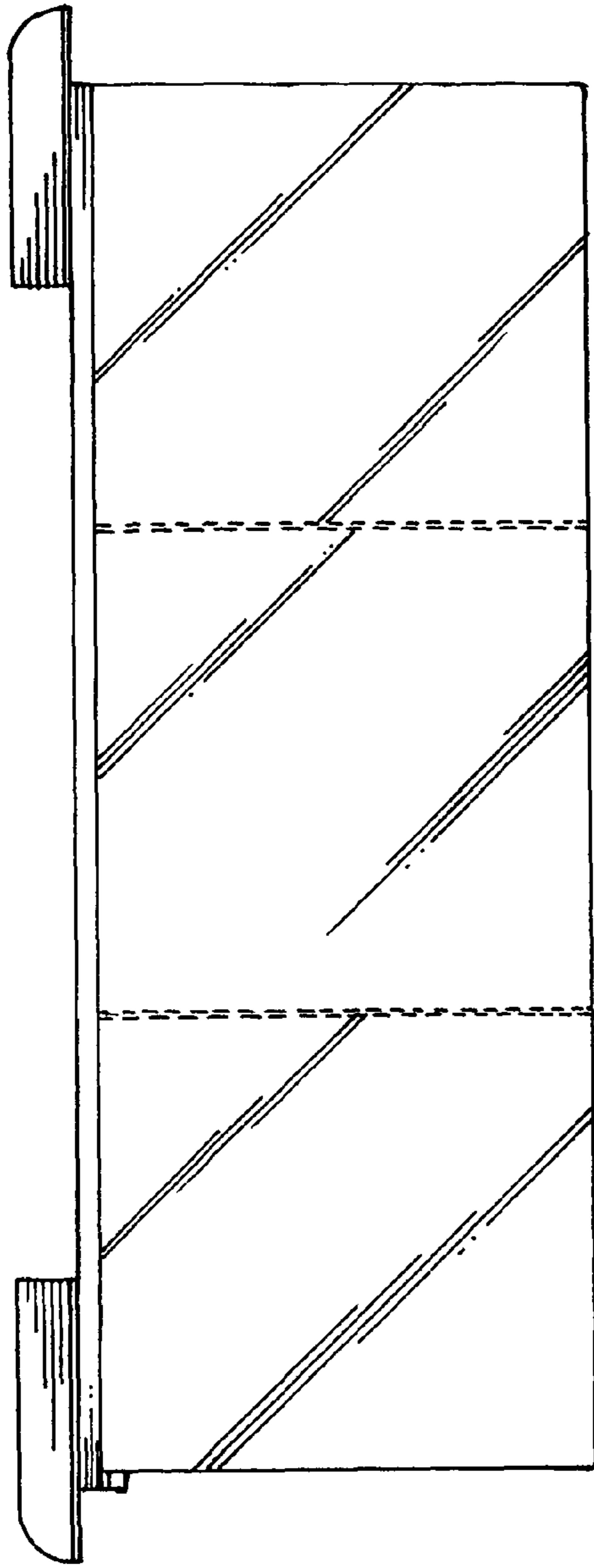


FIG. 2

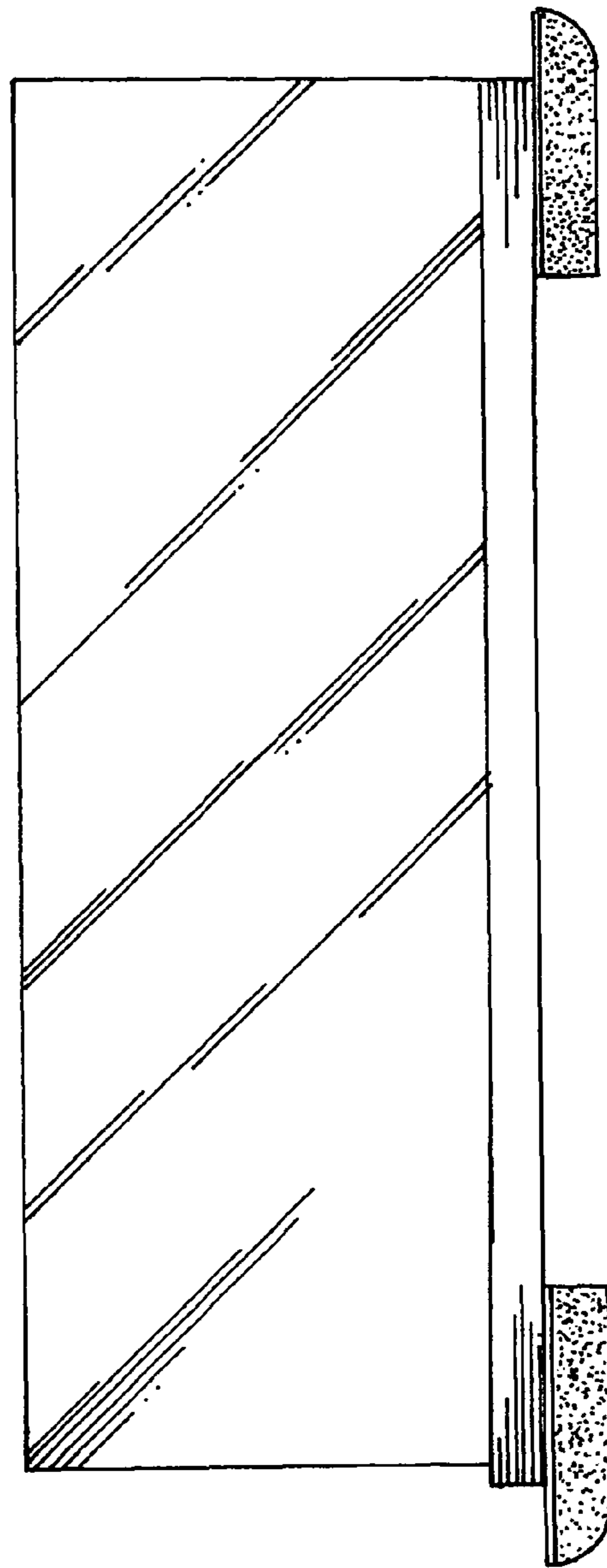


FIG. 3

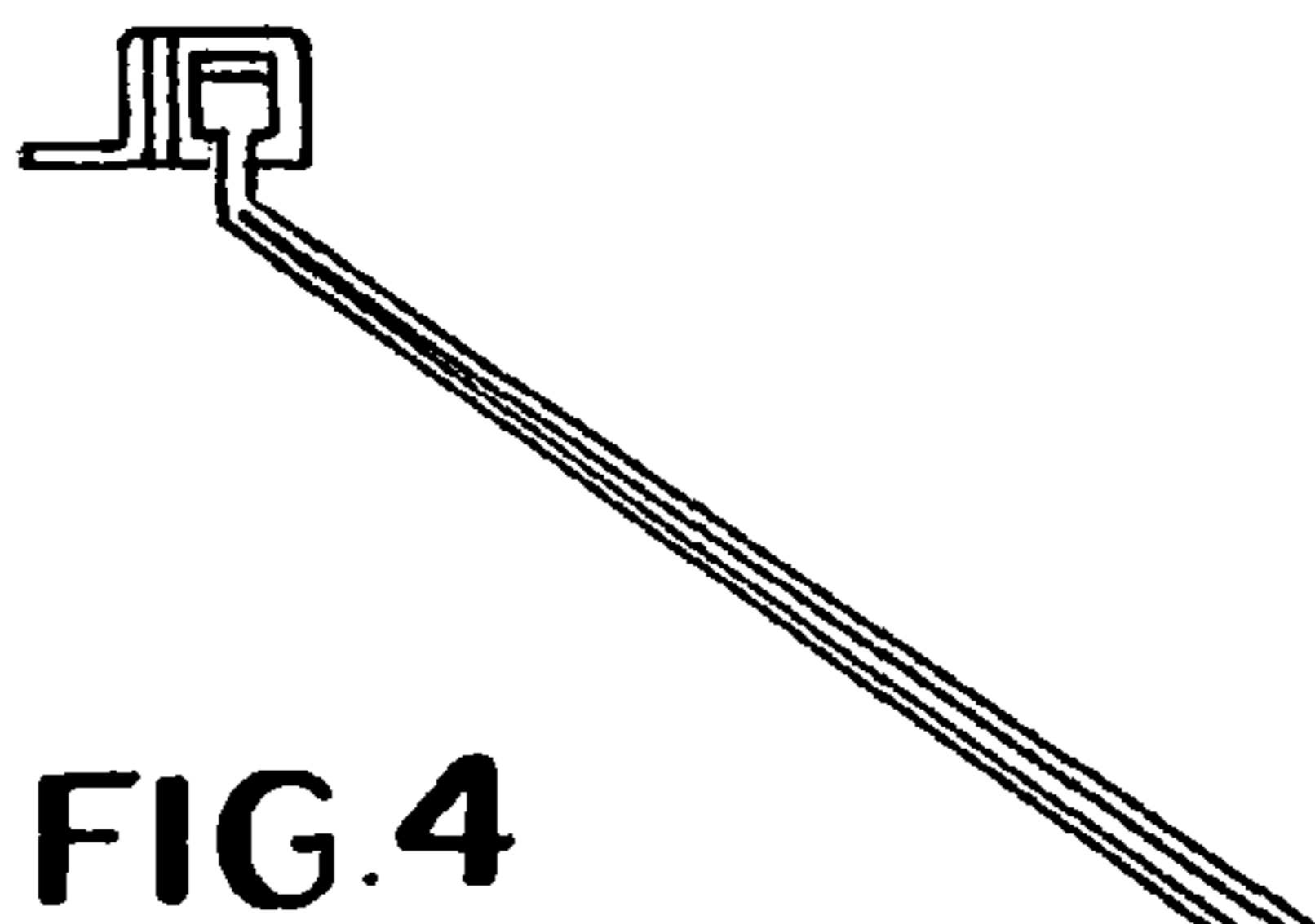


FIG. 4

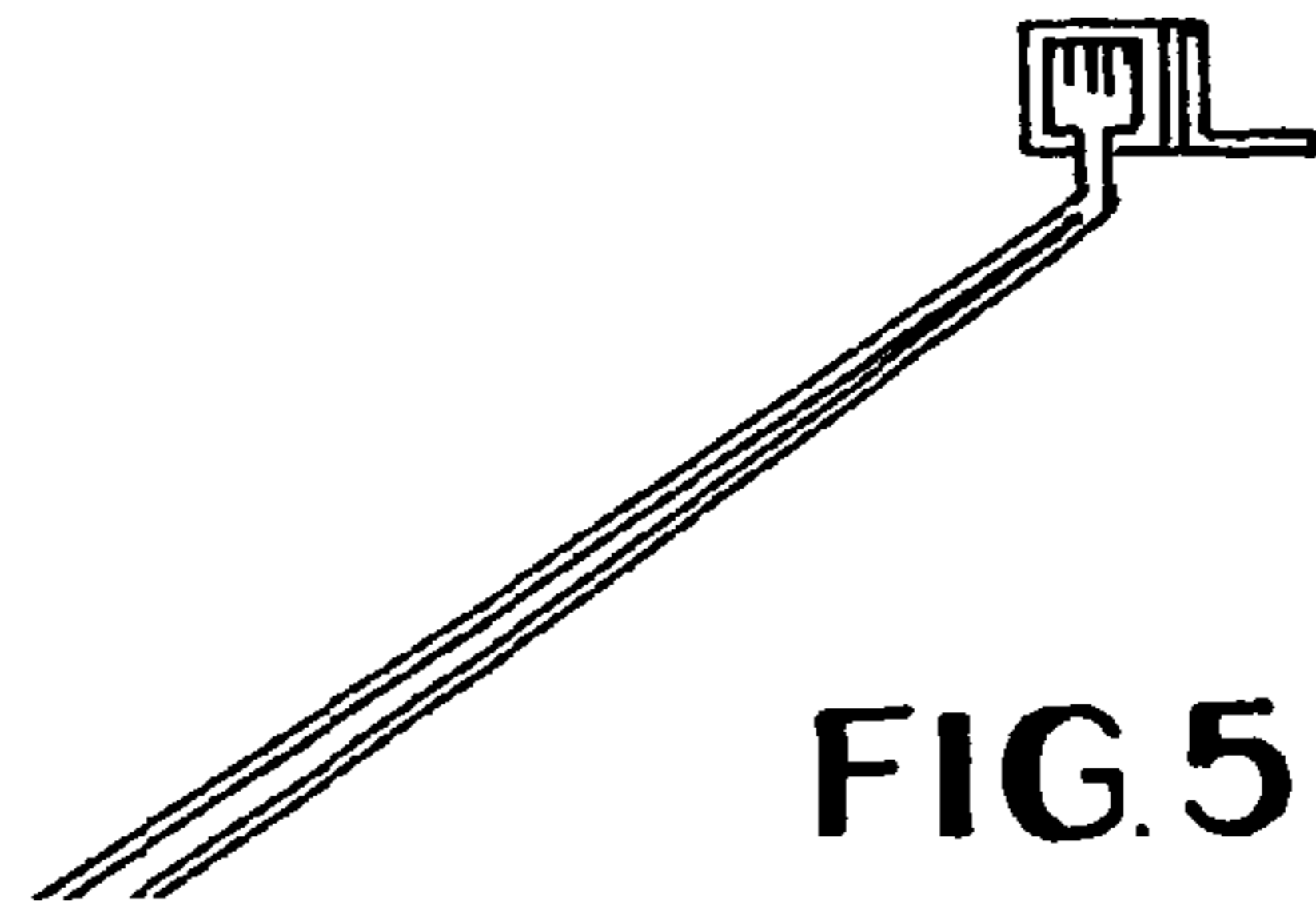


FIG. 5

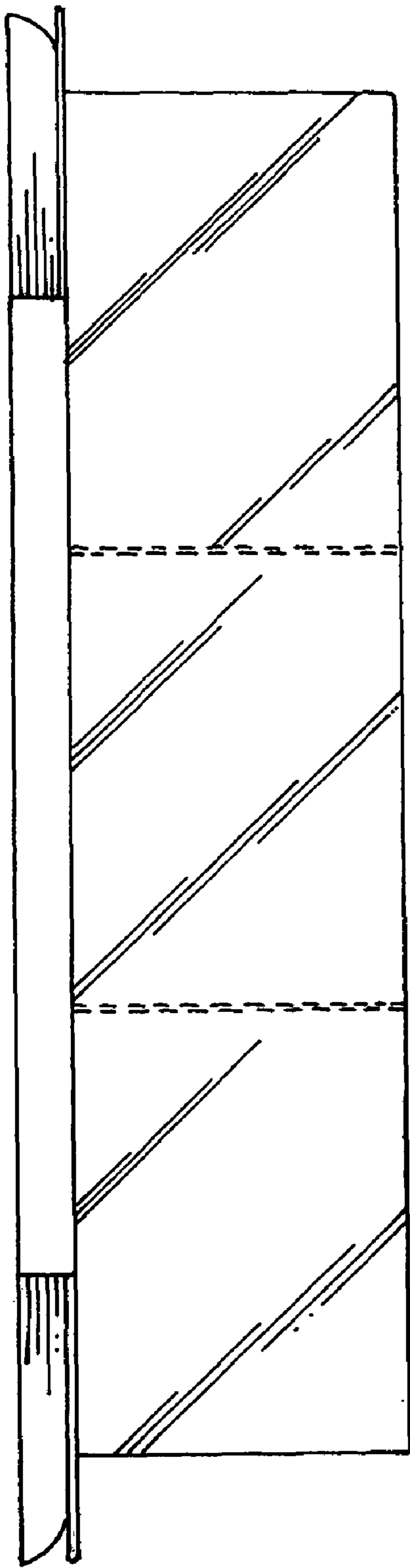


FIG. 6

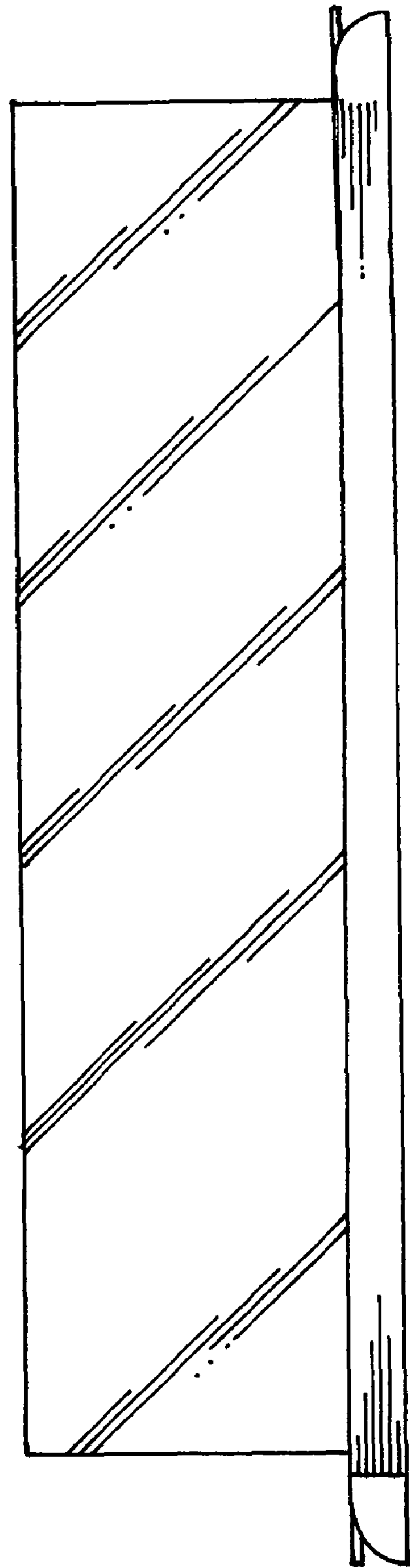


FIG. 7