



US00D621405S

(12) **United States Design Patent**  
**Waite et al.**

(10) **Patent No.:** **US D621,405 S**  
(45) **Date of Patent:** **\*\* Aug. 10, 2010**

(54) **DOCKING STATION**

(75) Inventors: **Stephen P. Waite**, Blue Springs, MO (US); **John J. Stutz**, Shawnee, KS (US); **Jacob T. Zeller**, Spring Hill, KS (US); **Brian G. Schoenfish**, Overland Park, KS (US); **Jeffrey D. Minelli**, Overland Park, KS (US)

(73) Assignee: **Garmin Ltd.** (KY)

(\*\*) Term: **14 Years**

(21) Appl. No.: **29/332,770**

(22) Filed: **Feb. 25, 2009**

(51) **LOC (9) Cl.** ..... **14-02**

(52) **U.S. Cl.** ..... **D14/434**

(58) **Field of Classification Search** ..... D14/432-434, D14/314, 204; D13/108, 146; 320/112; 248/346.03; 361/679.41, 679.31, 679.32, 361/679.4, 679.43

See application file for complete search history.

(56) **References Cited**

**U.S. PATENT DOCUMENTS**

5,535,093	A *	7/1996	Noguchi et al. ....	361/679.43
5,633,782	A *	5/1997	Goodman et al. ....	361/679.41
D384,044	S *	9/1997	Tanimura .....	D14/434
D448,385	S *	9/2001	Oross et al. ....	D14/434
6,667,881	B2 *	12/2003	Oross et al. ....	361/679.4
6,912,125	B2 *	6/2005	Weng .....	361/679.41
D512,066	S *	11/2005	Solomon et al. ....	D14/434
D520,013	S *	5/2006	Yang .....	D14/434

7,079,384	B2 *	7/2006	Wang et al. ....	361/679.43
D553,106	S *	10/2007	Griffin .....	D14/434
D570,847	S *	6/2008	Chern .....	D14/434
D584,731	S *	1/2009	Montgomery et al. ....	D14/434
2003/0193316	A1 *	10/2003	Guo et al. ....	320/112

**OTHER PUBLICATIONS**

Garmin Prototype, distributed in 2007.  
Garmin Volvo Mount, published in 2007.

\* cited by examiner

*Primary Examiner*—Freda S Nunn

(74) *Attorney, Agent, or Firm*—Samuel M. Korte

(57) **CLAIM**

The ornamental design for a docking station, as shown and described.

**DESCRIPTION**

FIG. 1 is a front perspective view of a docking station according to the present invention;

FIG. 2 is rear perspective view of the docking station;

FIG. 3 is a top view of the docking station;

FIG. 4 is a right side view of the docking station;

FIG. 5 is a left side view of the docking station;

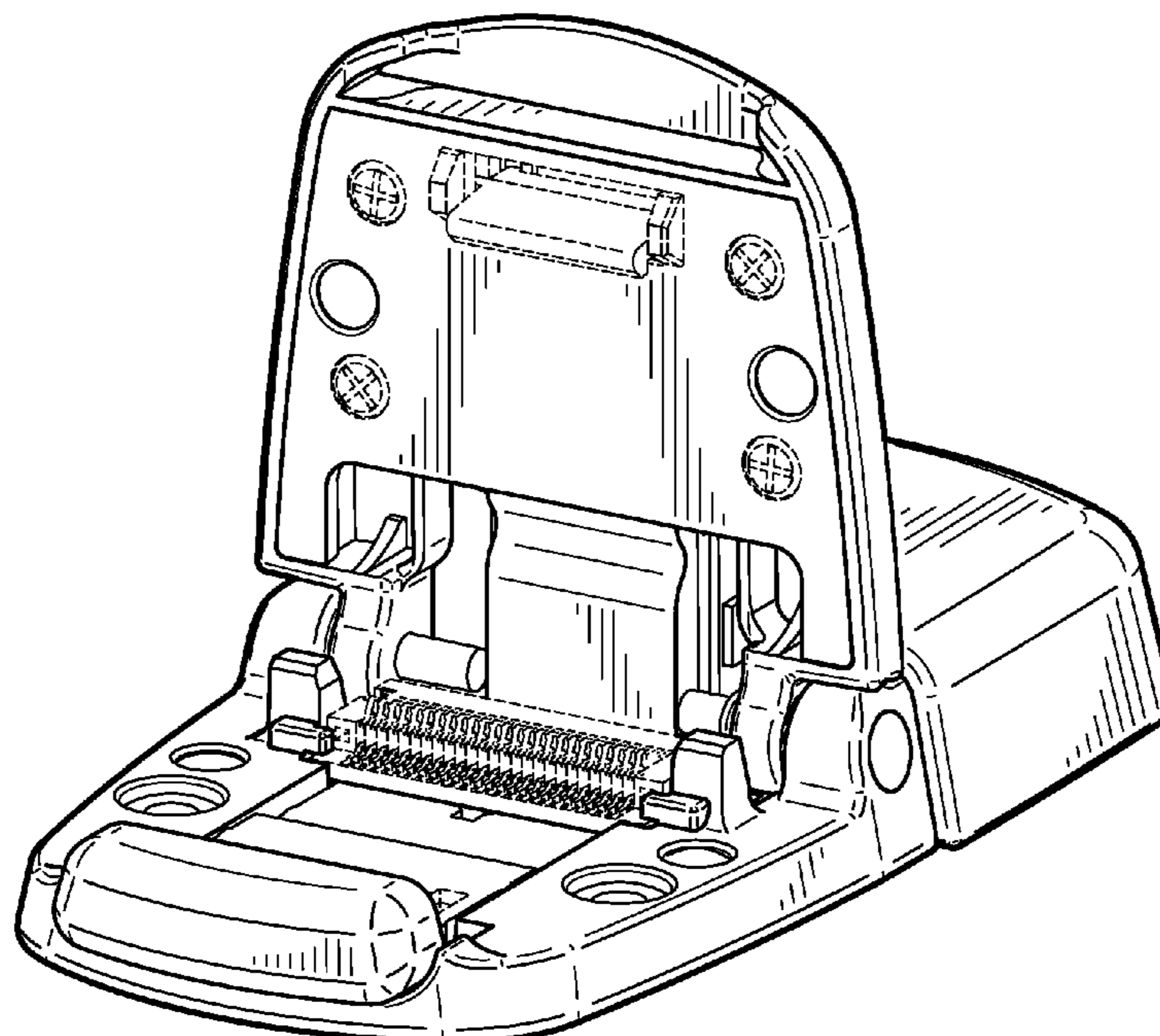
FIG. 6 is a bottom view of the docking station;

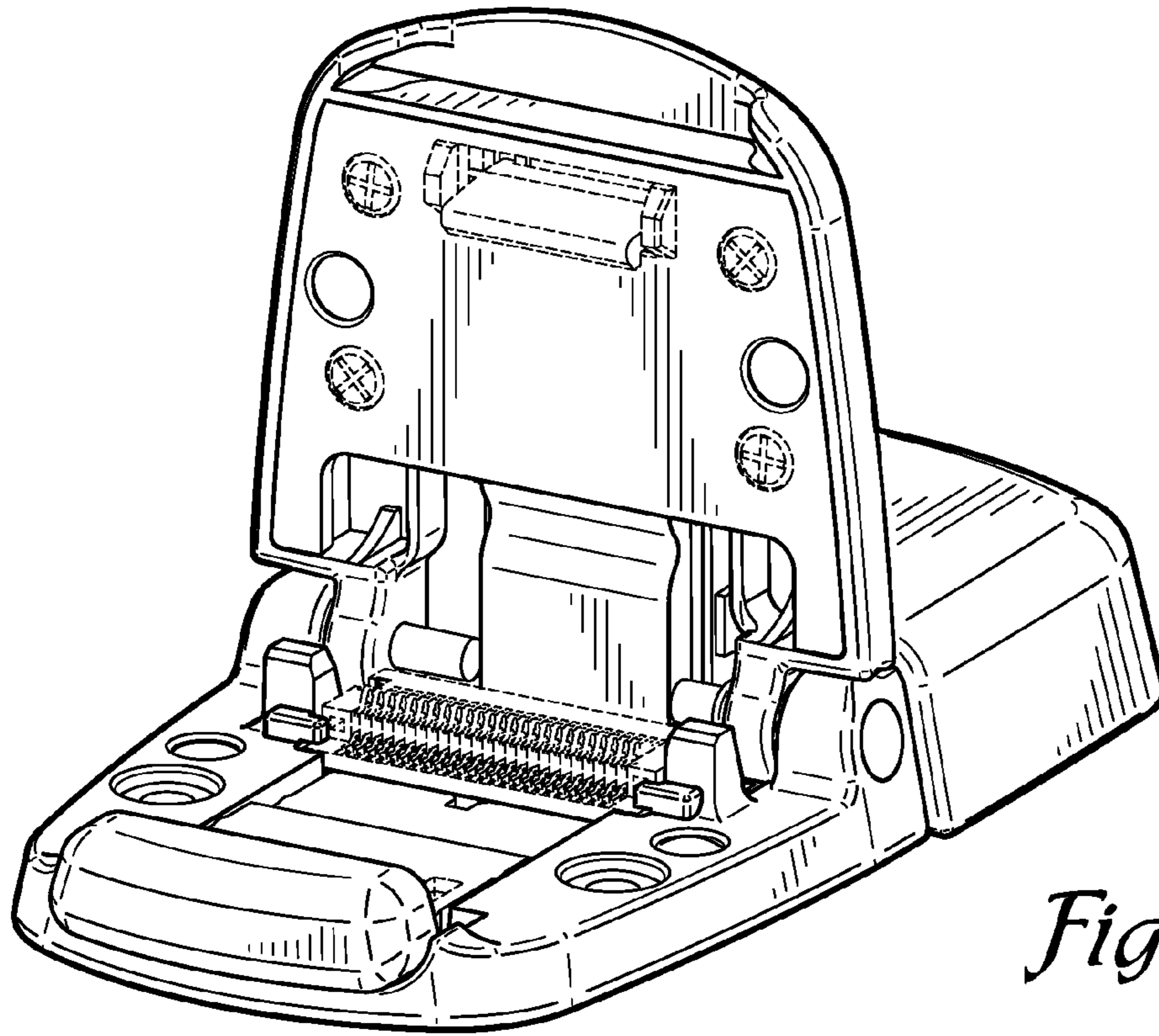
FIG. 7 is a rear view of the docking station; and,

FIG. 8 is a front view of the docking station.

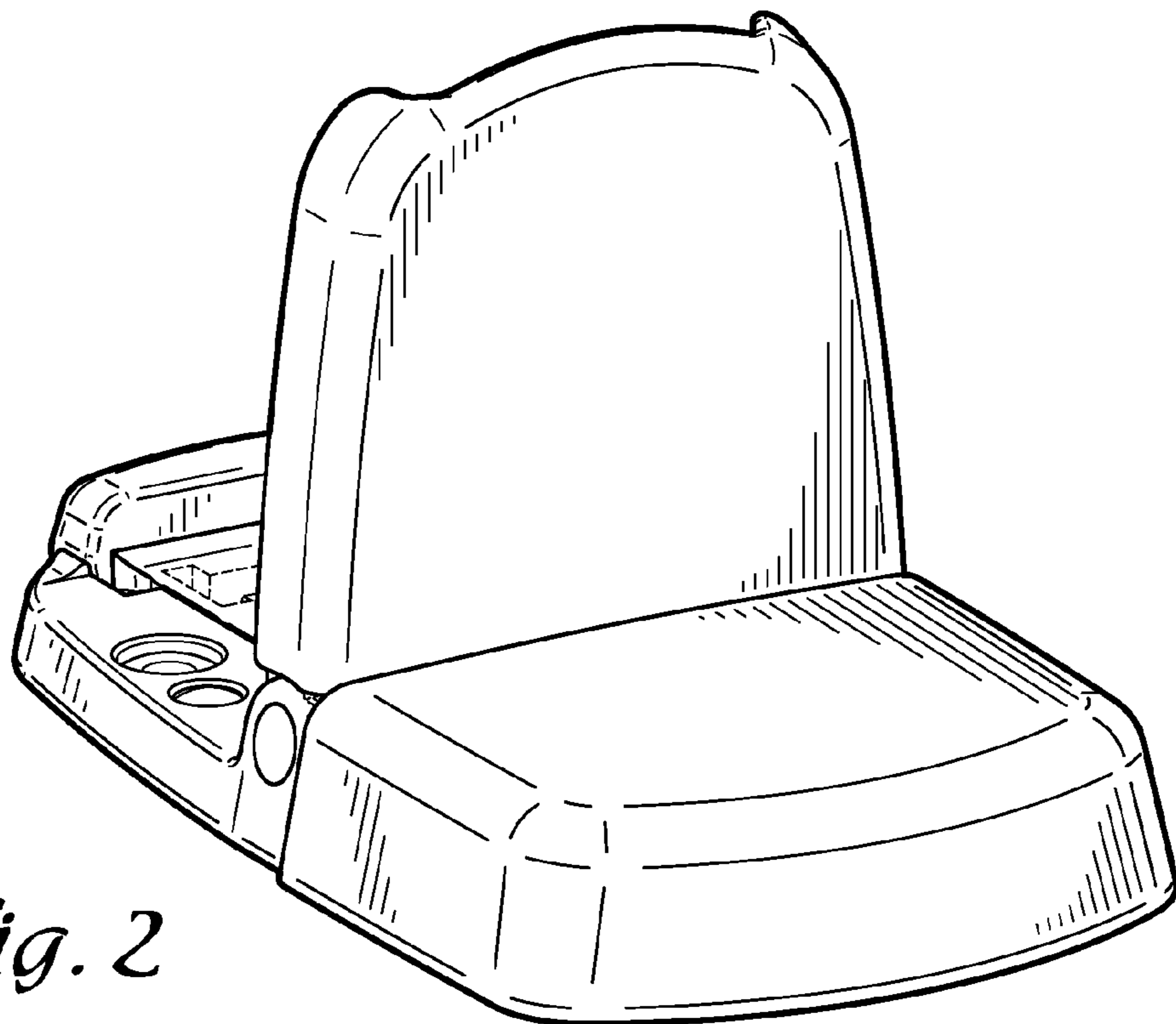
Broken lines shown in the drawings illustrate portions of the docking station and form no part of the claimed design.

**1 Claim, 4 Drawing Sheets**

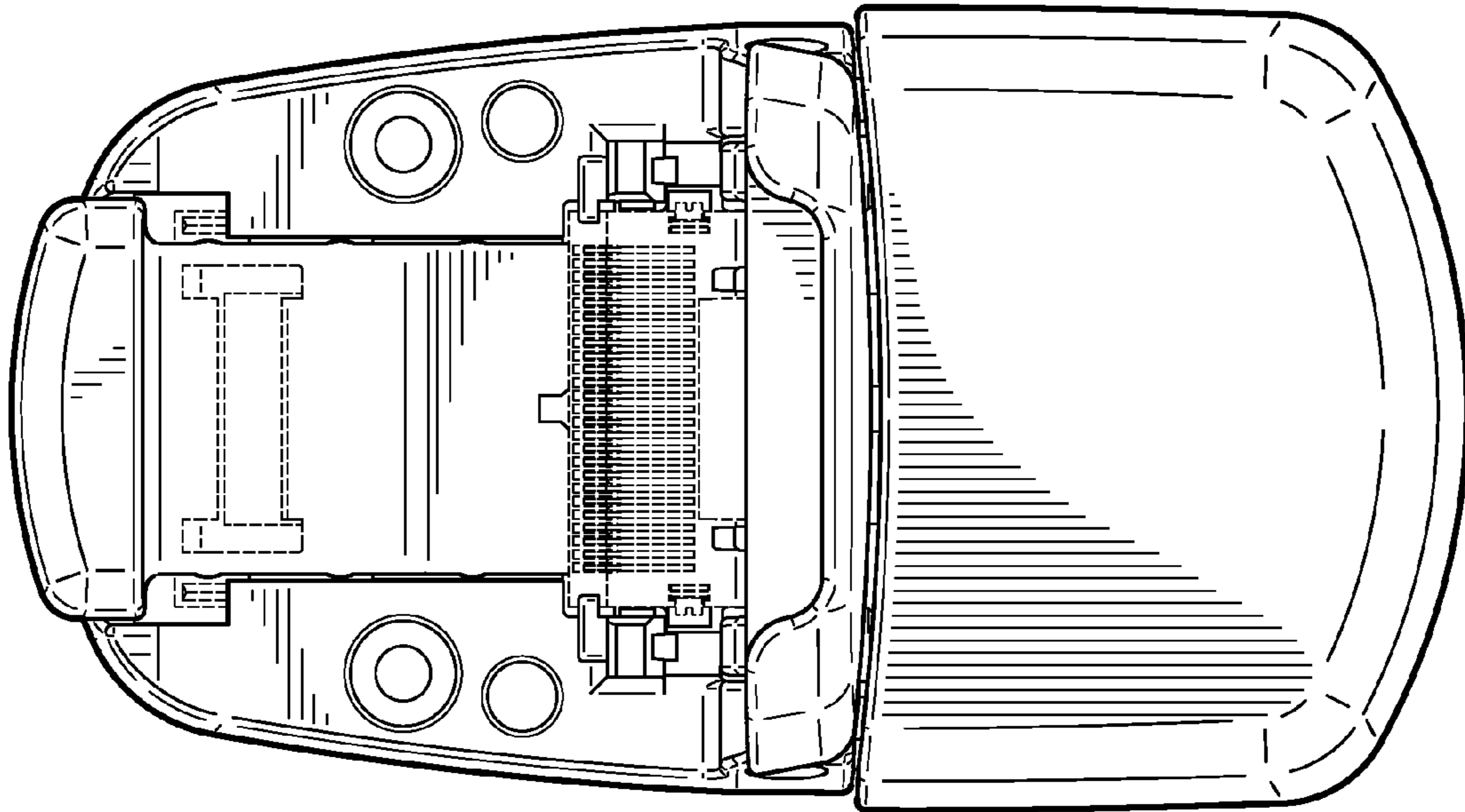




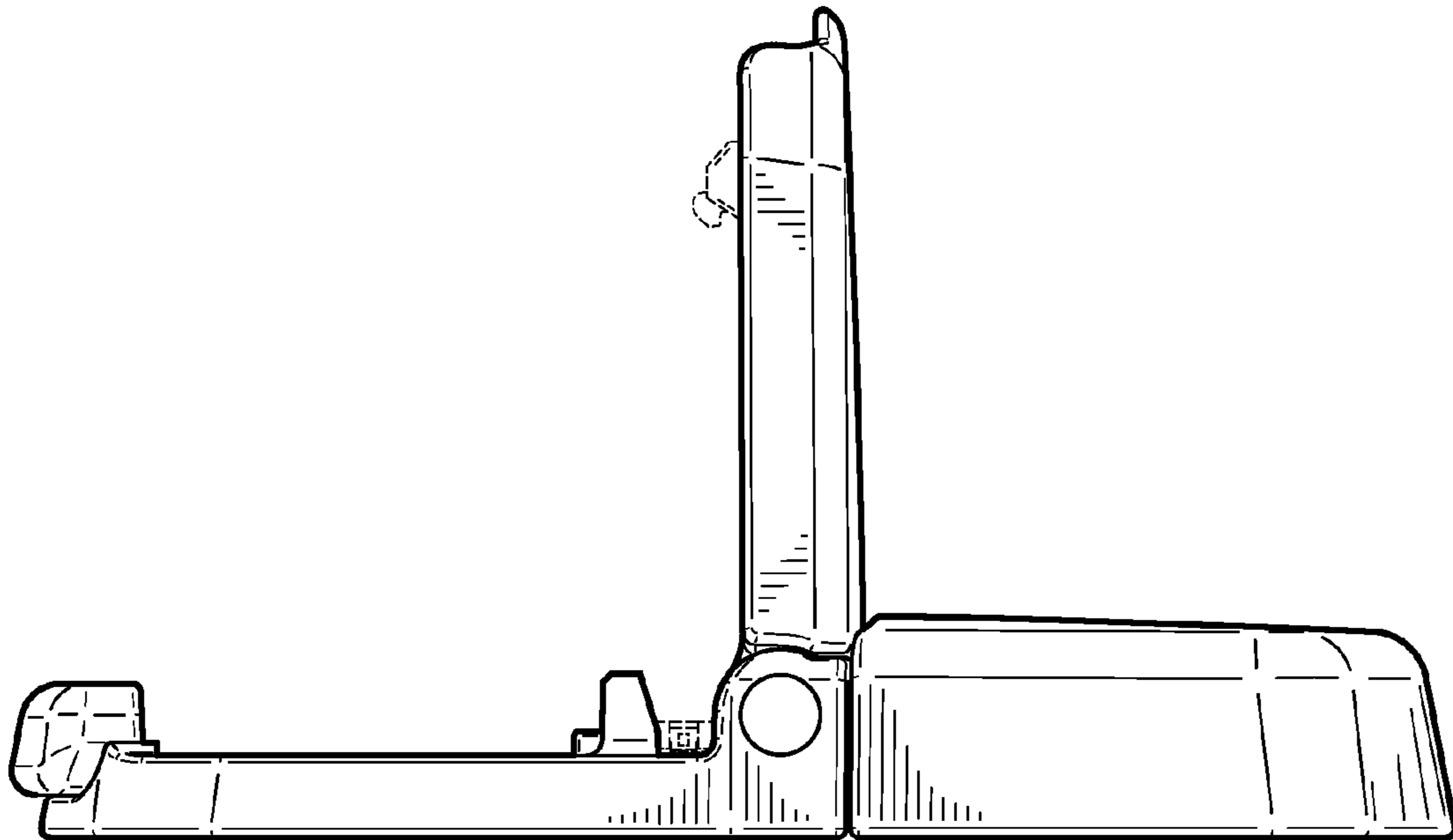
*Fig. 1*



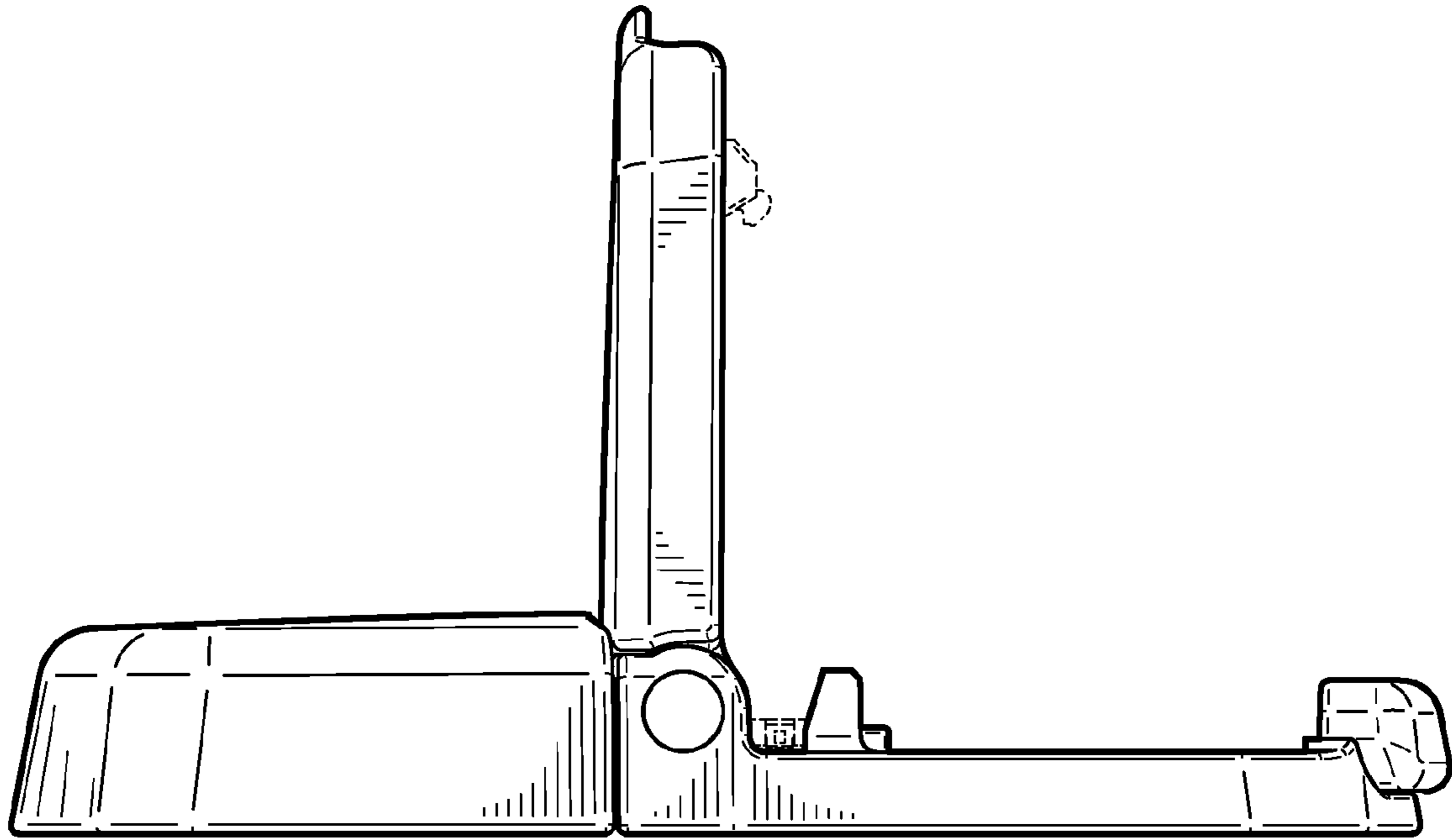
*Fig. 2*



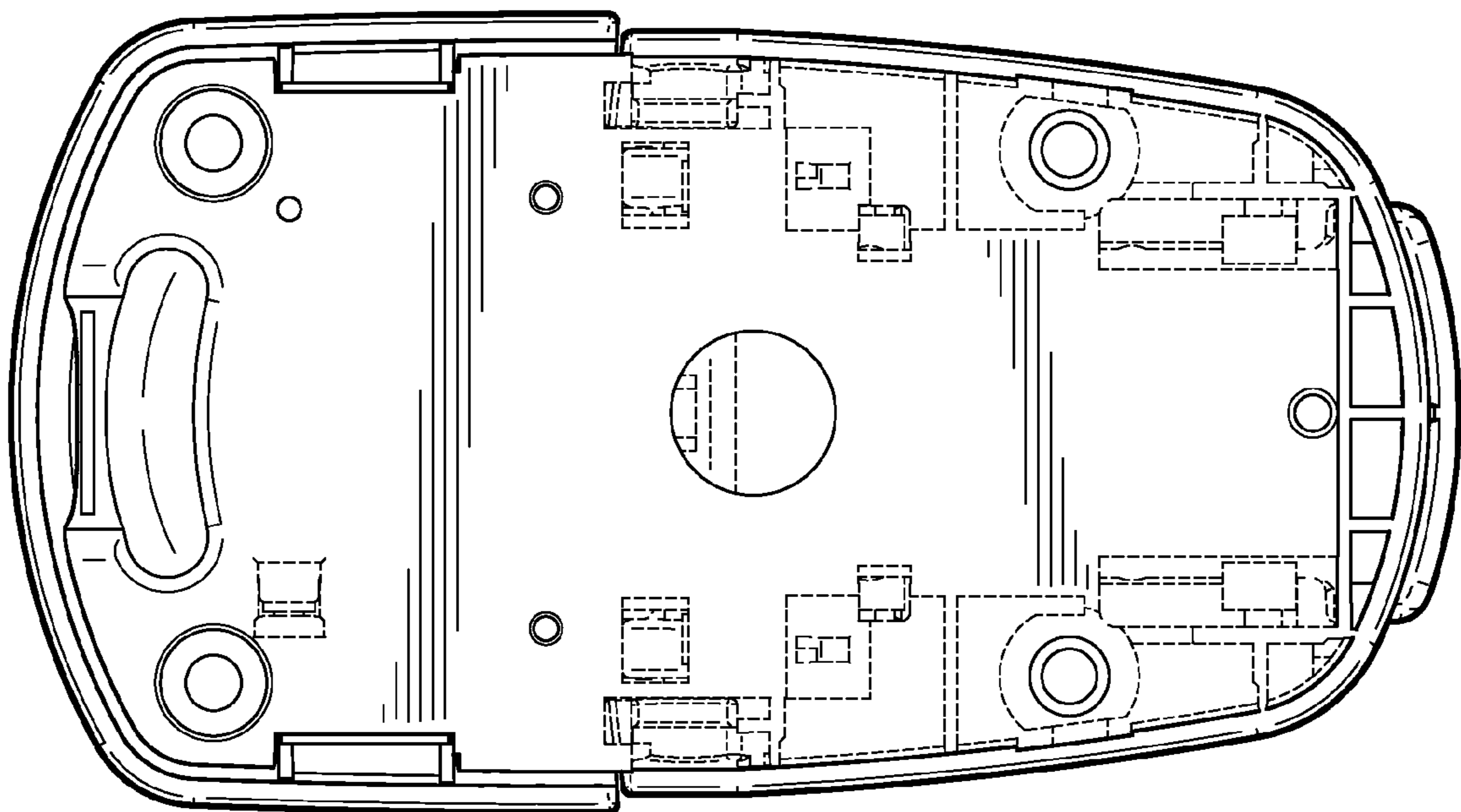
*Fig. 3*



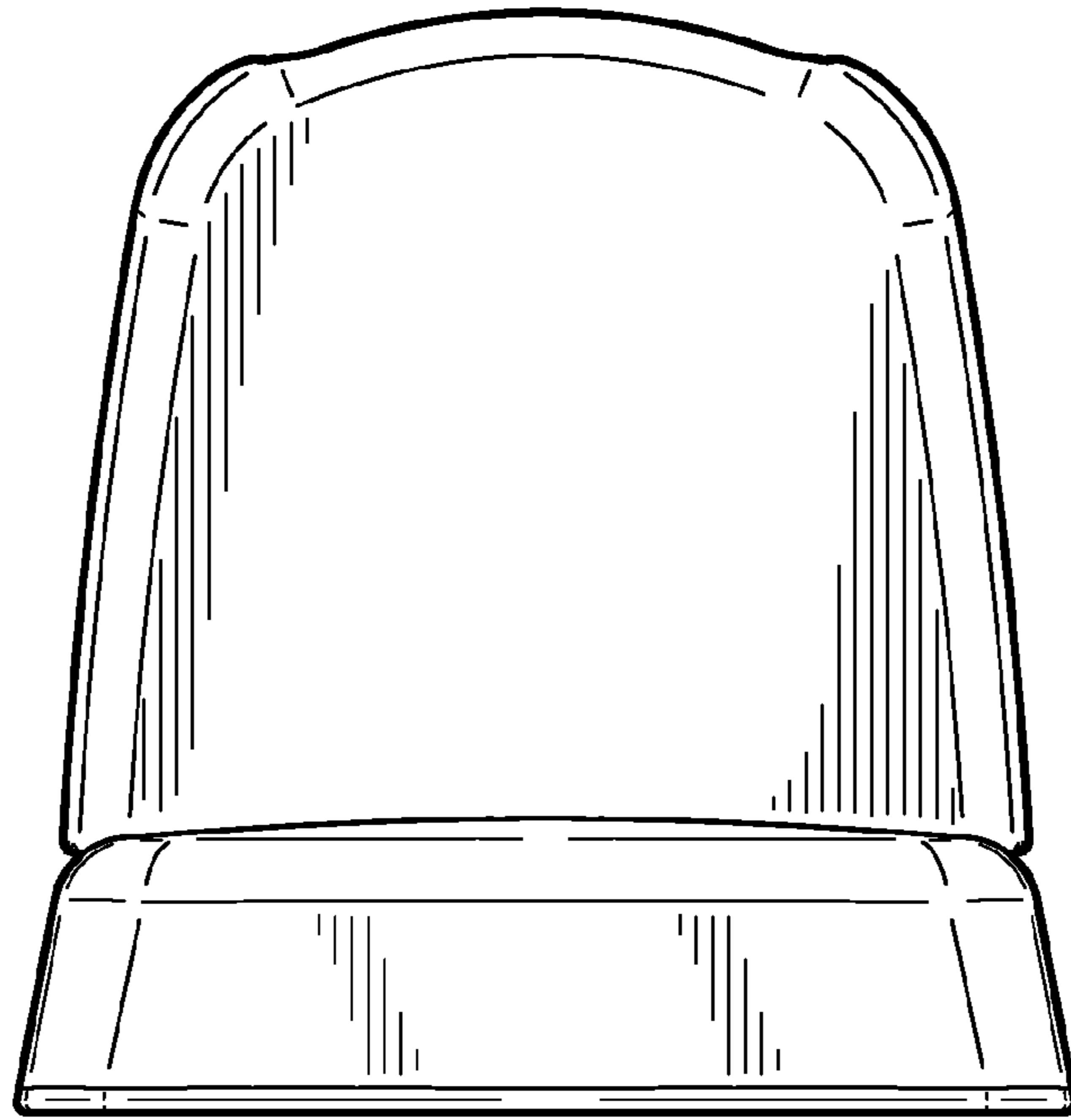
*Fig. 4*



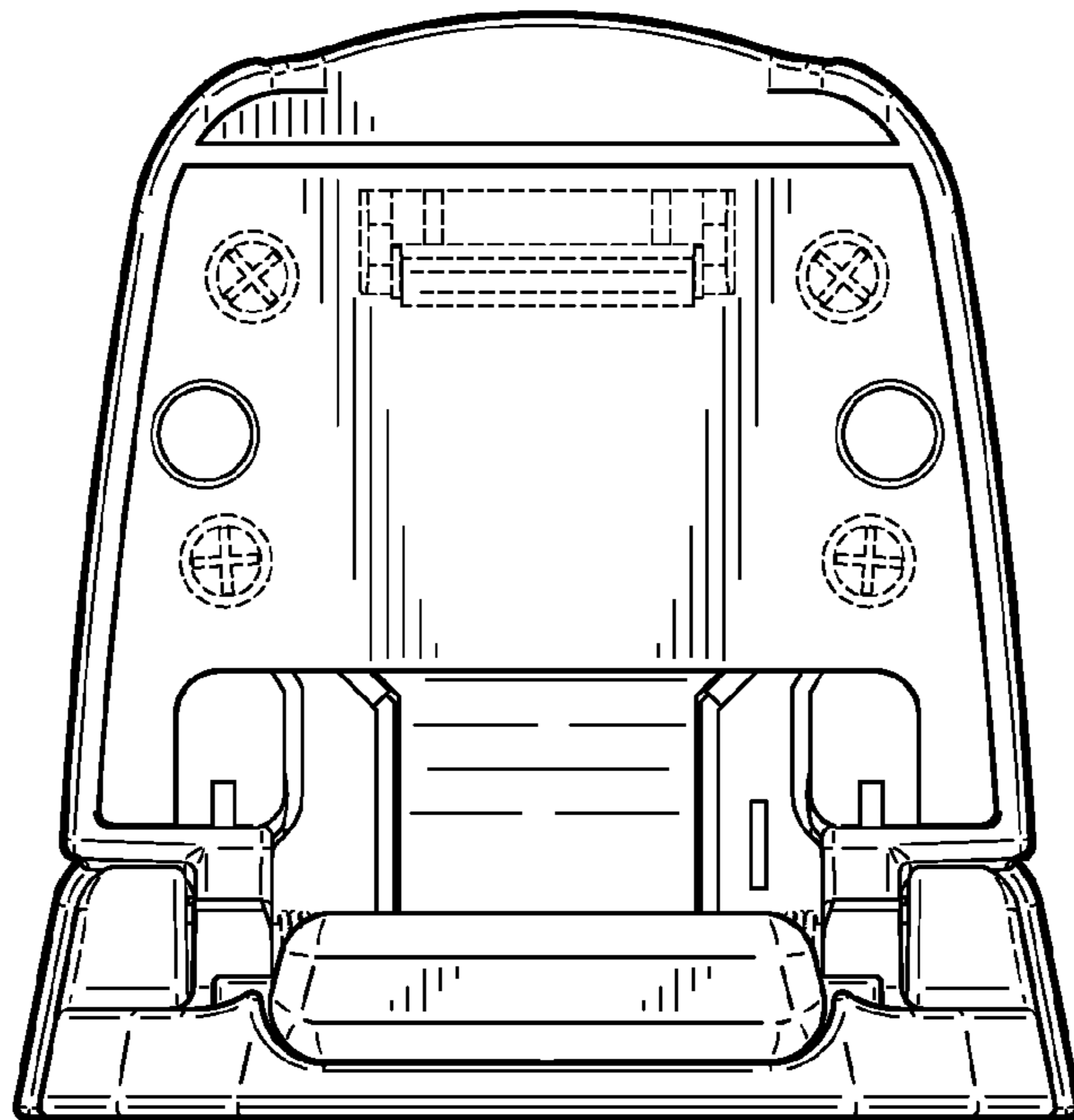
*Fig. 5*



*Fig. 6*



*Fig. 7*



*Fig. 8*