



US00D621404S

(12) **United States Design Patent**  
**Sugitani et al.**

(10) **Patent No.:** **US D621,404 S**

(45) **Date of Patent:** **\*\* Aug. 10, 2010**

(54) **SCANNER**

(75) Inventors: **Minoru Sugitani**, Kahoku (JP); **Takashi Kondo**, Musashino (JP)

(73) Assignee: **PFU Limited**, Ishikawa (JP)

(\*\*) Term: **14 Years**

(21) Appl. No.: **29/347,293**

(22) Filed: **Nov. 24, 2009**

(30) **Foreign Application Priority Data**

Sep. 29, 2009 (CN) ..... 2009 3 0236227

(51) **LOC (9) Cl.** ..... **14-02**

(52) **U.S. Cl.** ..... **D14/421**

(58) **Field of Classification Search** ..... D14/421-425;  
D18/55, 49, 46, 40, 36-39, 41, 44, 45, 47,  
D18/48, 50-54, 56; 235/462, 455, 470, 462.43,  
235/482, 483; 358/474, 486, 488, 496, 497,  
358/498, 452, 449, 451, 453, 1.13; 318/685,  
318/696; 355/81, 75; 399/405, 367, 379,  
399/380; 381/217; 715/209, 222, 226, 274;  
400/613, 613.1-613.4, 690.1-690.4, 691-694  
See application file for complete search history.

(56) **References Cited**

**U.S. PATENT DOCUMENTS**

D272,625 S \* 2/1984 Suzuki et al. .... D14/469  
D279,780 S \* 7/1985 Nishiwaki et al. .... D14/463  
D321,533 S \* 11/1991 Gough ..... D15/146  
D332,797 S \* 1/1993 Shinmoto et al. .... D18/53

D334,401 S \* 3/1993 Mitchell ..... D18/48  
D405,821 S \* 2/1999 Ishikawa ..... D18/53  
D421,455 S \* 3/2000 Kobayashi et al. .... D18/54  
D421,979 S \* 3/2000 Agata ..... D14/470  
D432,163 S \* 10/2000 Perry ..... D18/46  
D462,380 S \* 9/2002 Ortiz et al. .... D18/47  
D472,243 S \* 3/2003 Agata ..... D14/463  
D474,498 S \* 5/2003 Takahashi et al. .... D18/49

**FOREIGN PATENT DOCUMENTS**

JP 1360769 6/2009

\* cited by examiner

*Primary Examiner*—Susan M Lee

(74) *Attorney, Agent, or Firm*—Staas & Halsey LLP

(57) **CLAIM**

The ornamental design for a scanner, as shown and described.

**DESCRIPTION**

FIG. 1 is a front perspective view of a scanner showing our new design;

FIG. 2 is a front view thereof;

FIG. 3 is a right side view thereof, a left side view is a mirror image of the right side view;

FIG. 4 is a top plan view thereof;

FIG. 5 is a rear view thereof; and,

FIG. 6 is a bottom plan view thereof.

The broken line in the drawings is for illustrative purpose only and forms no part of the claimed design.

**1 Claim, 3 Drawing Sheets**

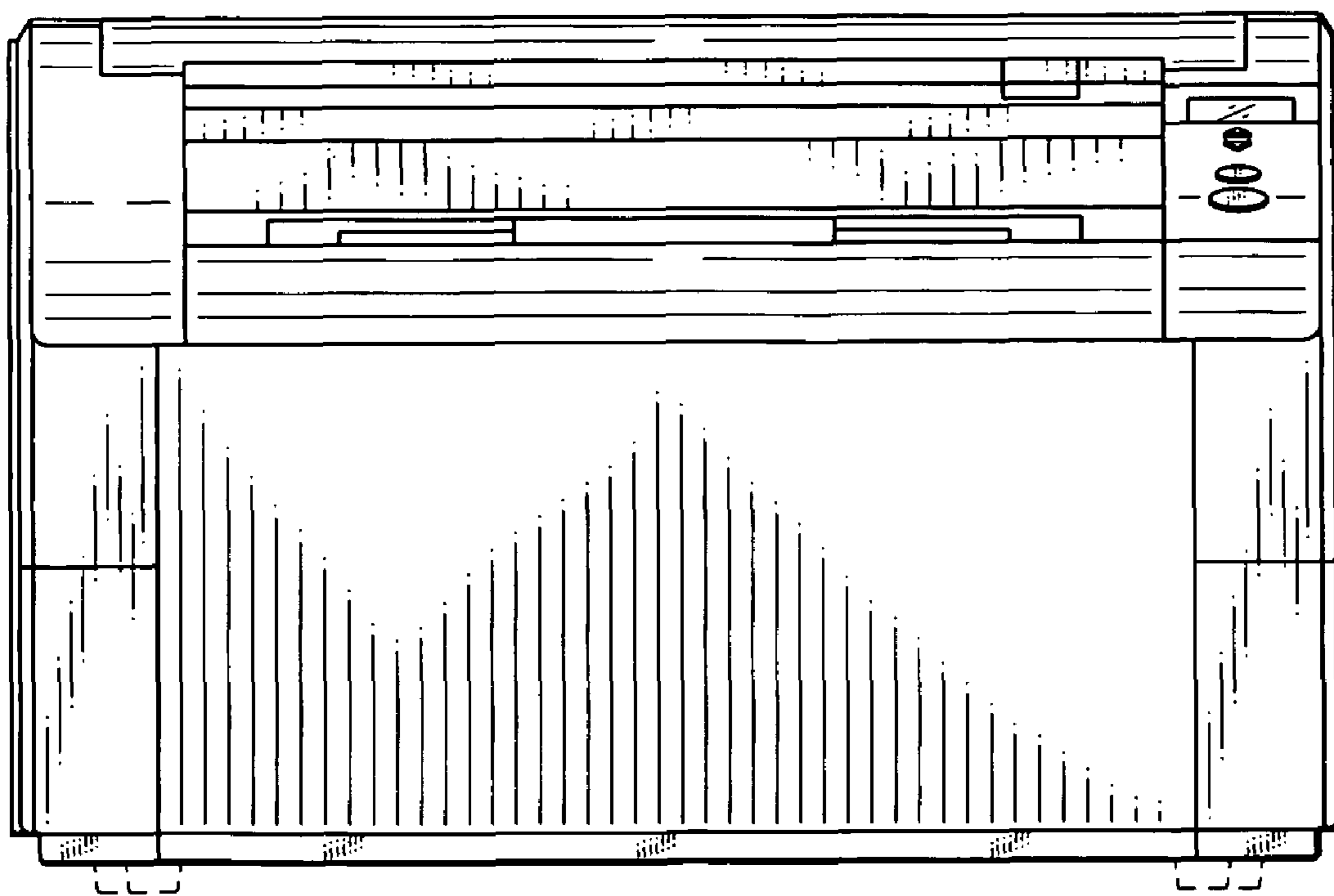


Fig. 1

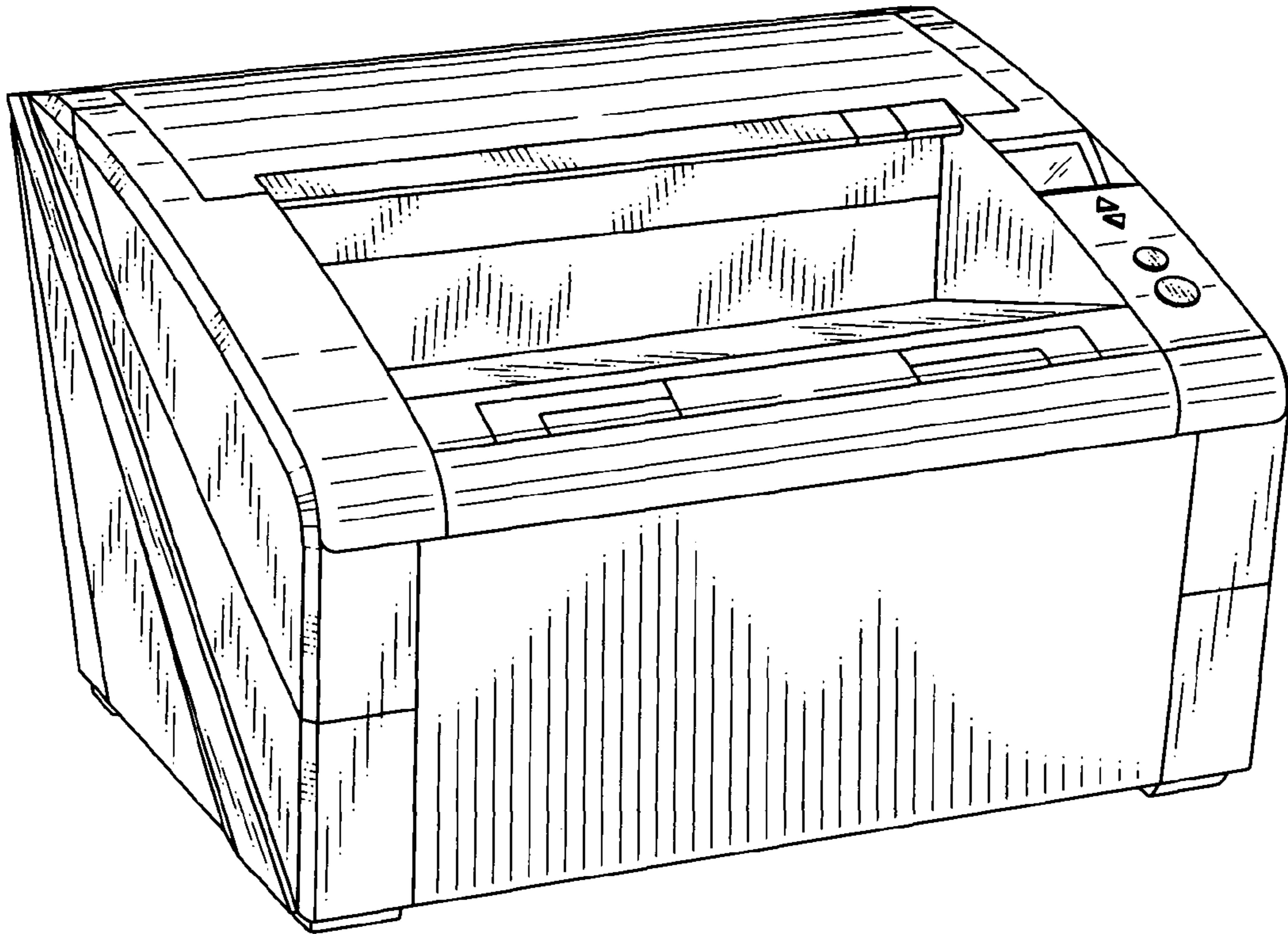


Fig. 2

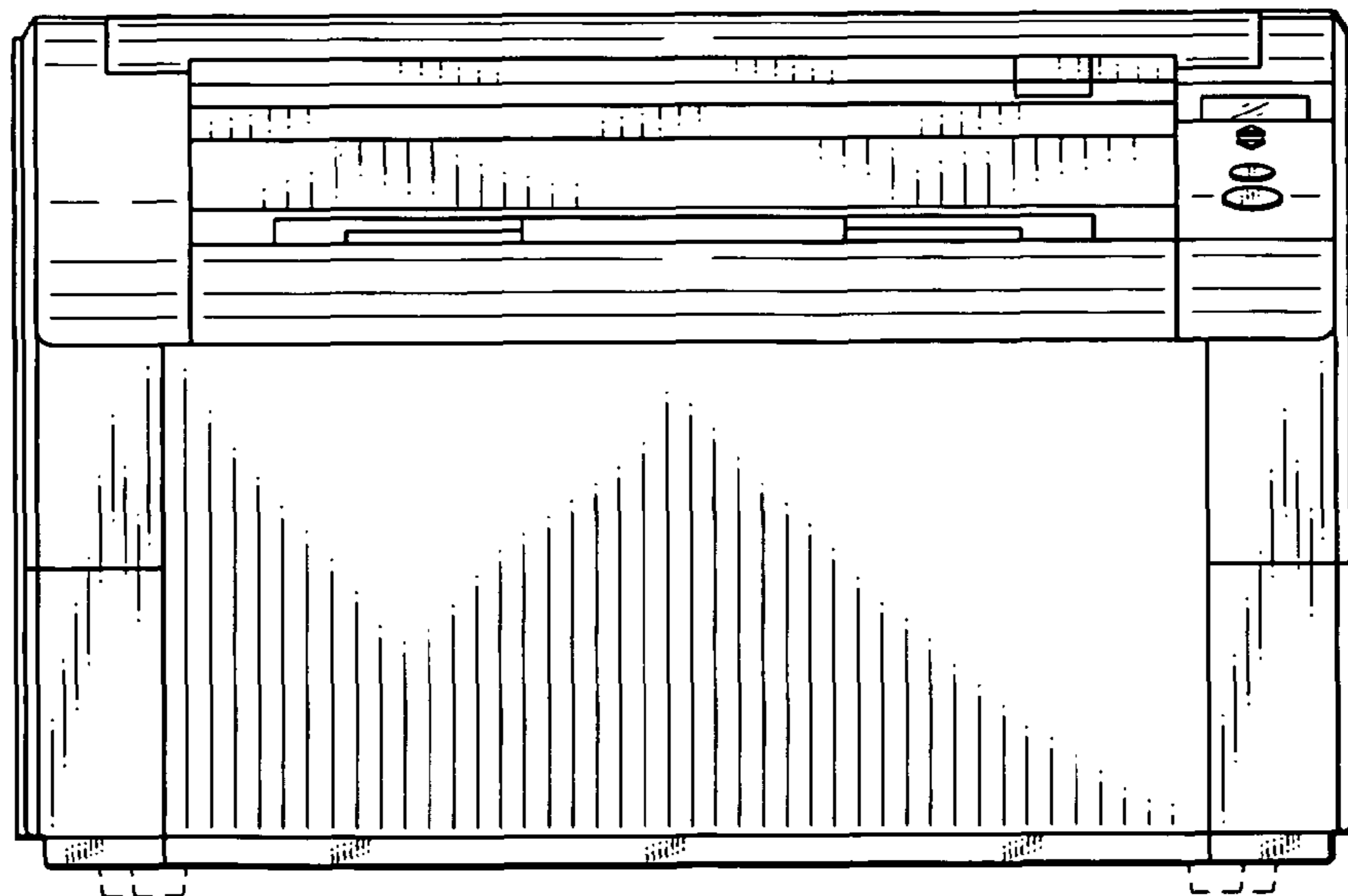


Fig.3

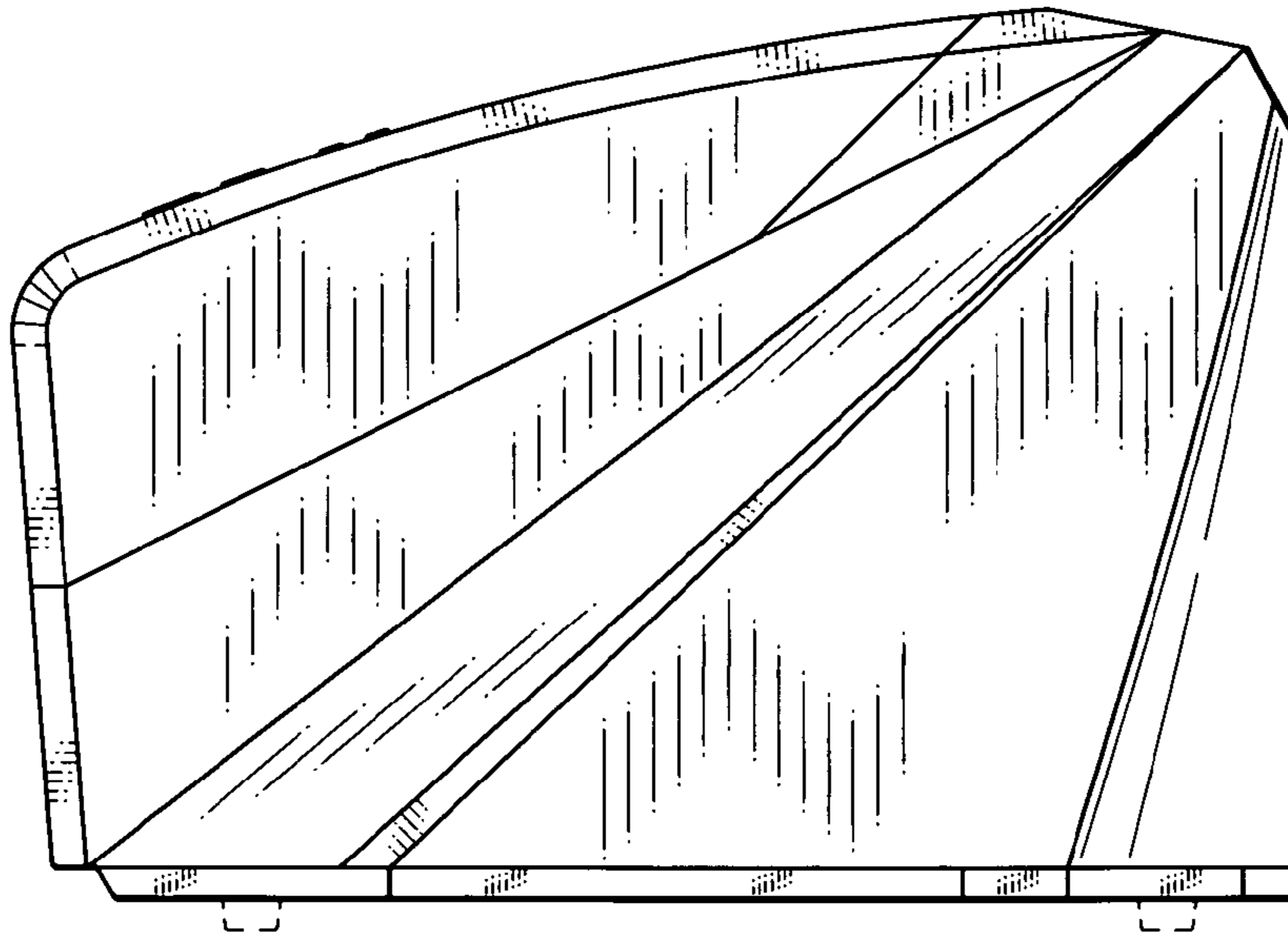


Fig.4

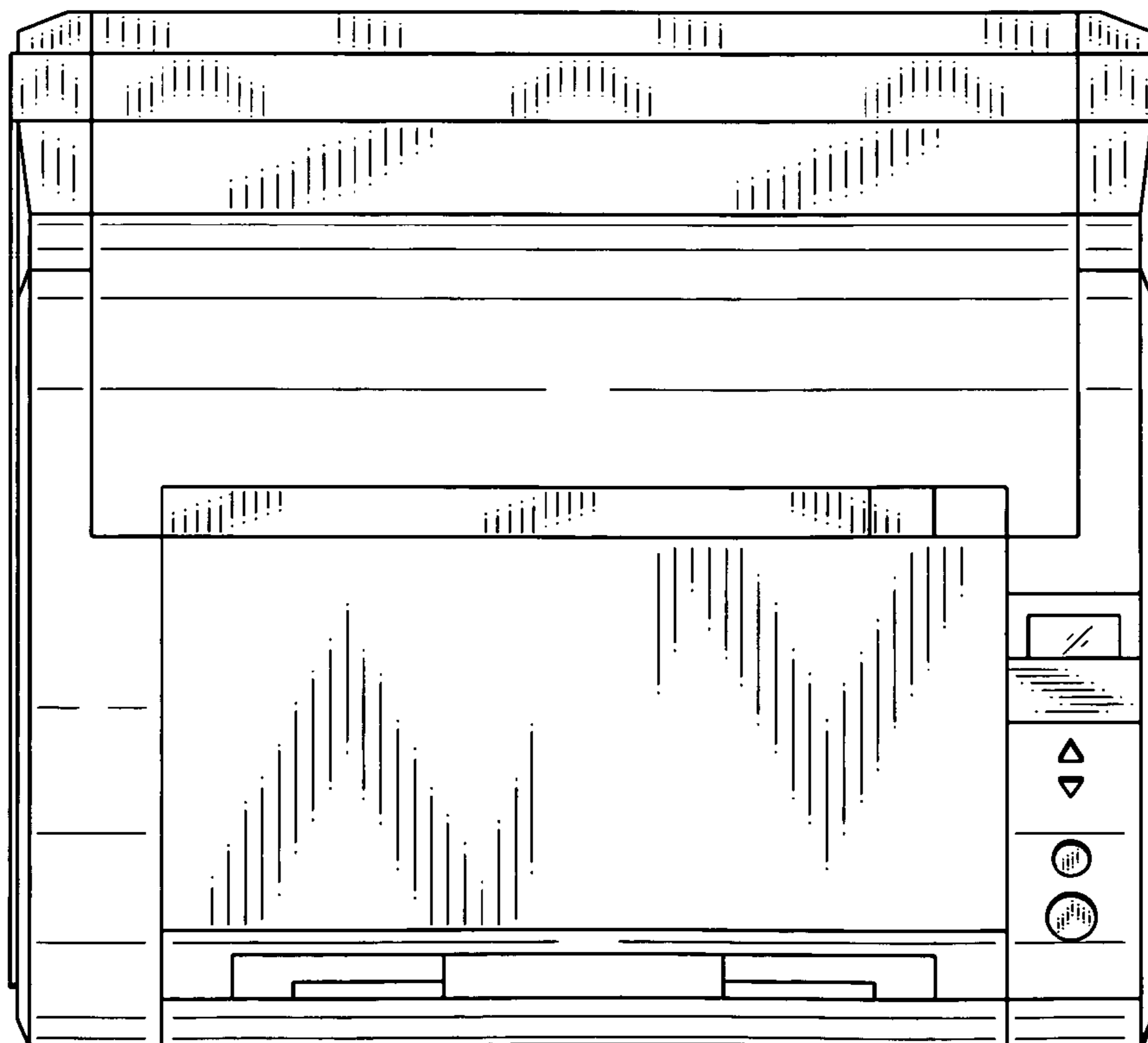


Fig.5

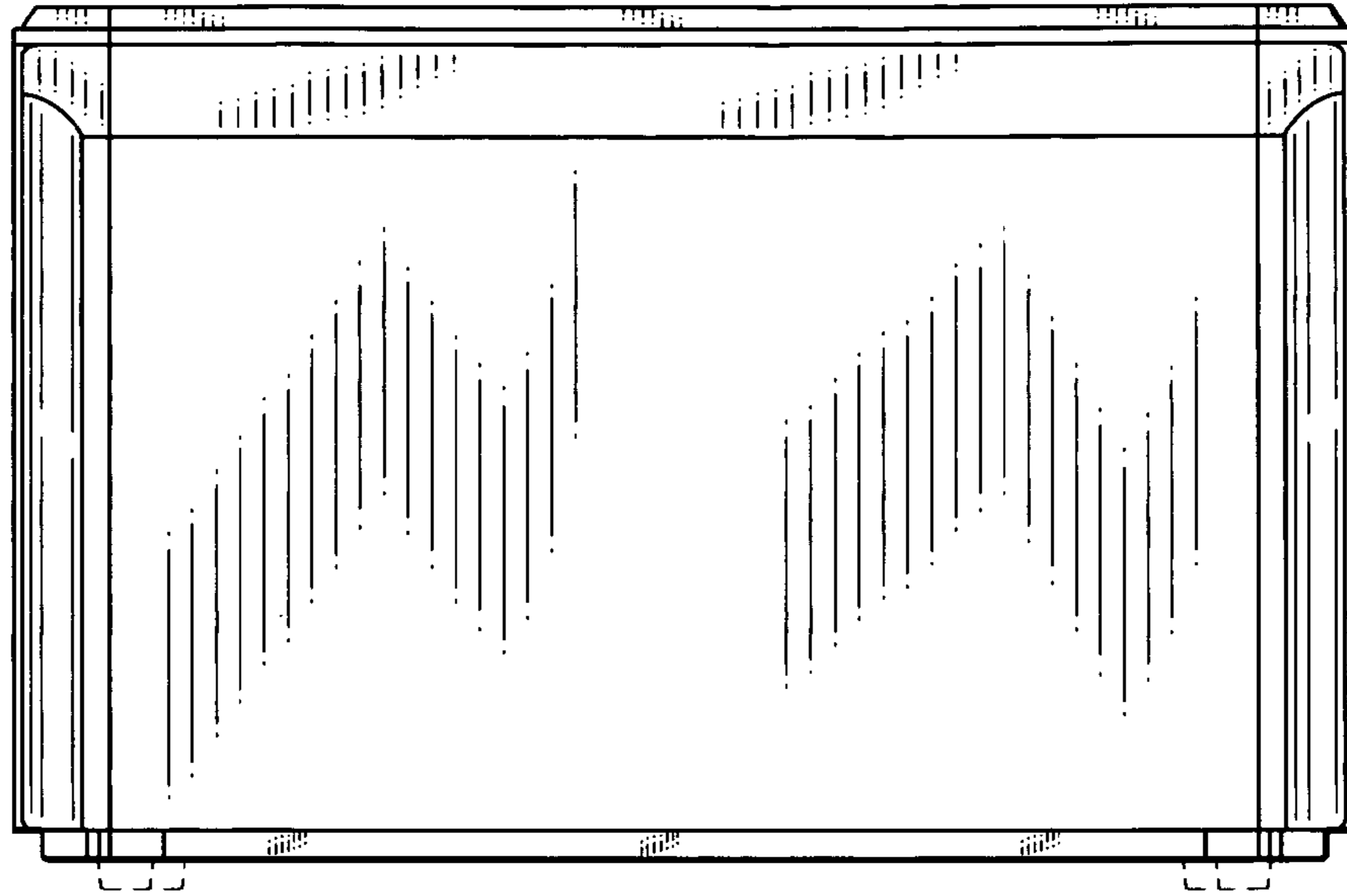


Fig.6

