



US00D621401S

(12) **United States Design Patent**
Chang

(10) **Patent No.:** **US D621,401 S**

(45) **Date of Patent:** **** Aug. 10, 2010**

(54) **DISPLAY**

(75) Inventor: **Chia-Hui Chang**, Taipei County (TW)

(73) Assignee: **Amtran Technology Co., Ltd**, Taipei County (TW)

(**) Term: **14 Years**

(21) Appl. No.: **29/346,125**

(22) Filed: **Oct. 27, 2009**

(51) **LOC (9) Cl.** **14-02**

(52) **U.S. Cl.** **D14/374**

(58) **Field of Classification Search** D14/371-376,
D14/125-129; 345/104, 156, 168, 173, 87,
345/1.1, 901-905; 341/12; 348/180, 184,
348/325, 739; 349/1, 2, 11, 58; 248/917-924,
248/278.1; 361/679.23, 679.08

See application file for complete search history.

(56) **References Cited**

U.S. PATENT DOCUMENTS

6,381,125	B1 *	4/2002	Mizoguchi et al.	361/679.08
D494,941	S *	8/2004	Kim	D14/126
6,807,051	B2 *	10/2004	Takahashi	361/679.23
D522,509	S *	6/2006	Park et al.	D14/375
D543,982	S *	6/2007	Hasegawa et al.	D14/371
D544,861	S *	6/2007	Hwang	D14/375

D551,186	S *	9/2007	Yang et al.	D14/126
D556,160	S *	11/2007	Lee et al.	D14/126
D563,335	S *	3/2008	Murata et al.	D14/126
D585,062	S *	1/2009	Ding et al.	D14/375
D595,295	S *	6/2009	Shim	D14/374
2004/0217244	A1 *	11/2004	Wu et al.	248/278.1

* cited by examiner

Primary Examiner—Freda S Nunn

(74) *Attorney, Agent, or Firm*—Morris, Manning & Martin LLP; Tim Tingkang Xia, Esq.

(57) **CLAIM**

The ornamental design for a “display,” as shown and described.

DESCRIPTION

FIG. 1 is a perspective view of display showing our new design;

FIG. 2 is a front view thereof;

FIG. 3 is a rear view thereof;

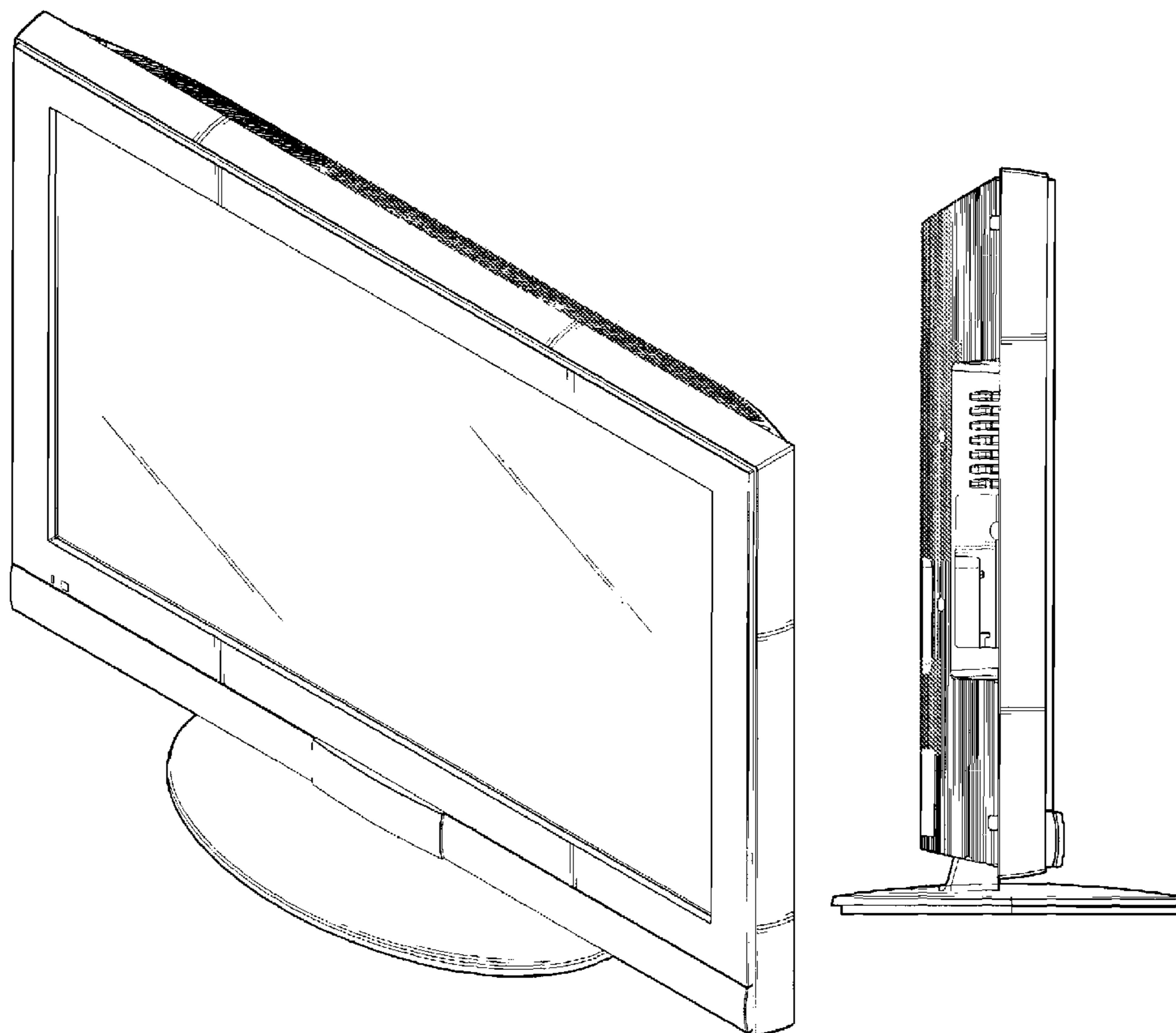
FIG. 4 is a left side elevational view thereof;

FIG. 5 is a right side elevational view thereof;

FIG. 6 is a top view thereof; and,

FIG. 7 is a bottom view thereof.

1 Claim, 5 Drawing Sheets



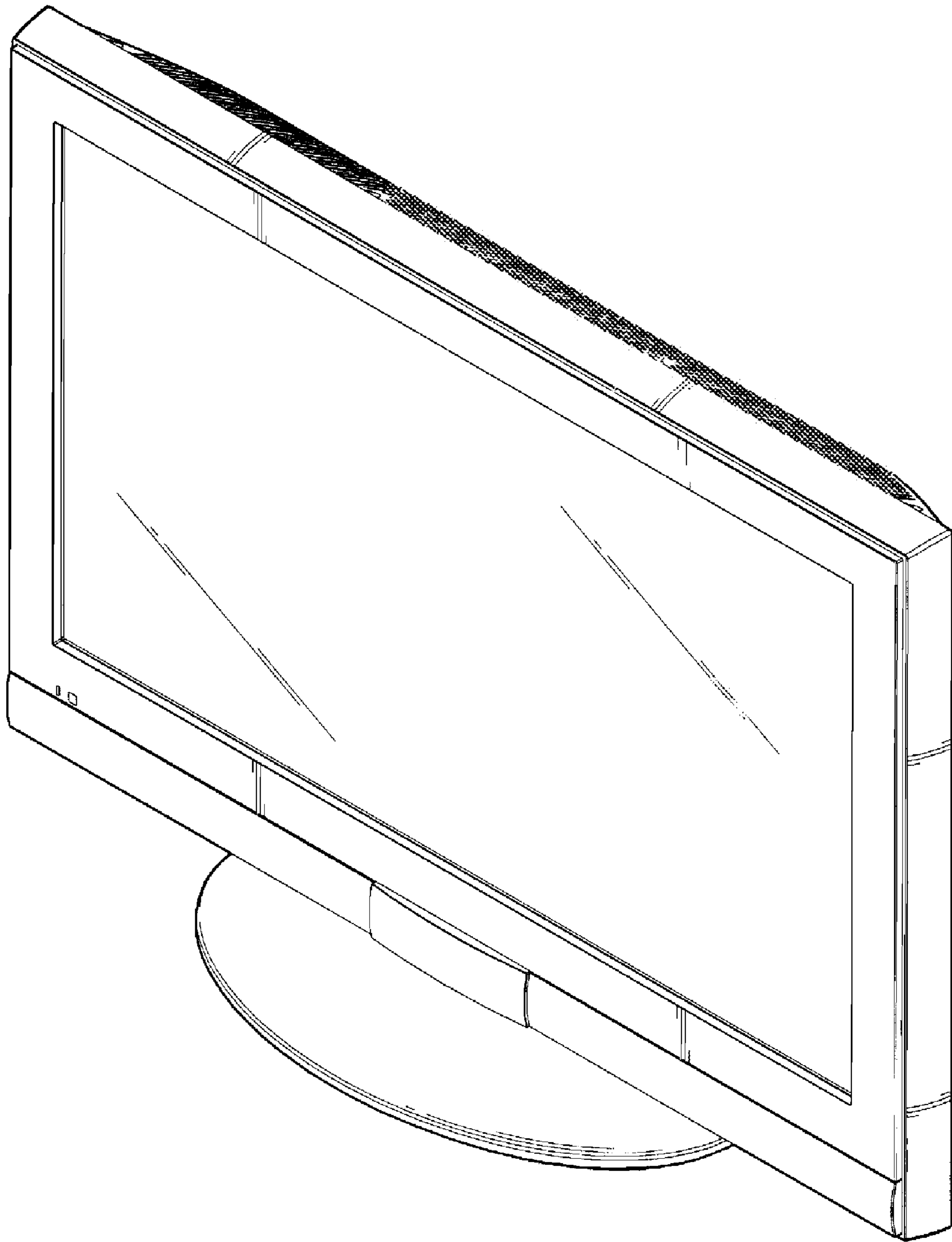


FIG. 1

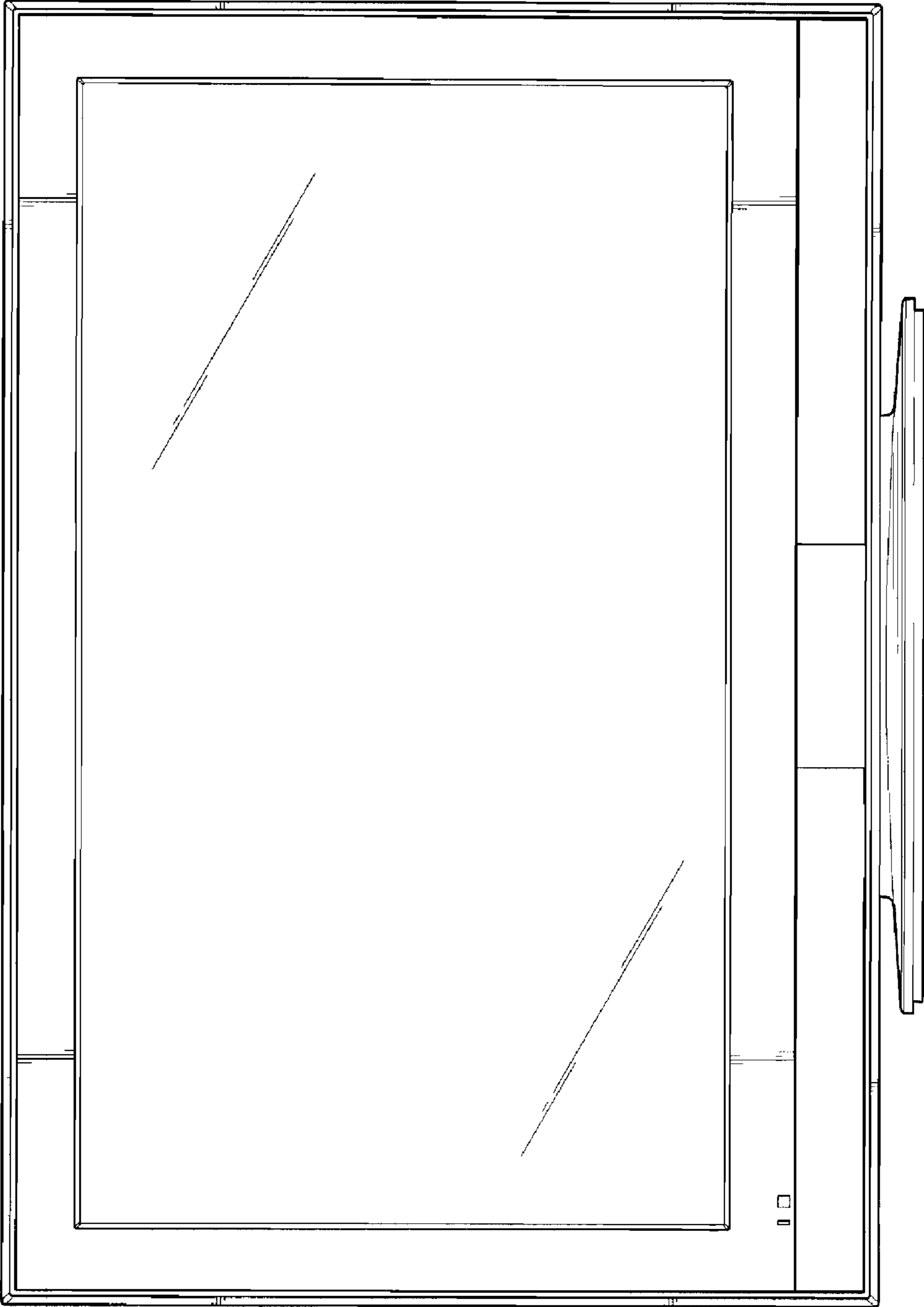


FIG.2

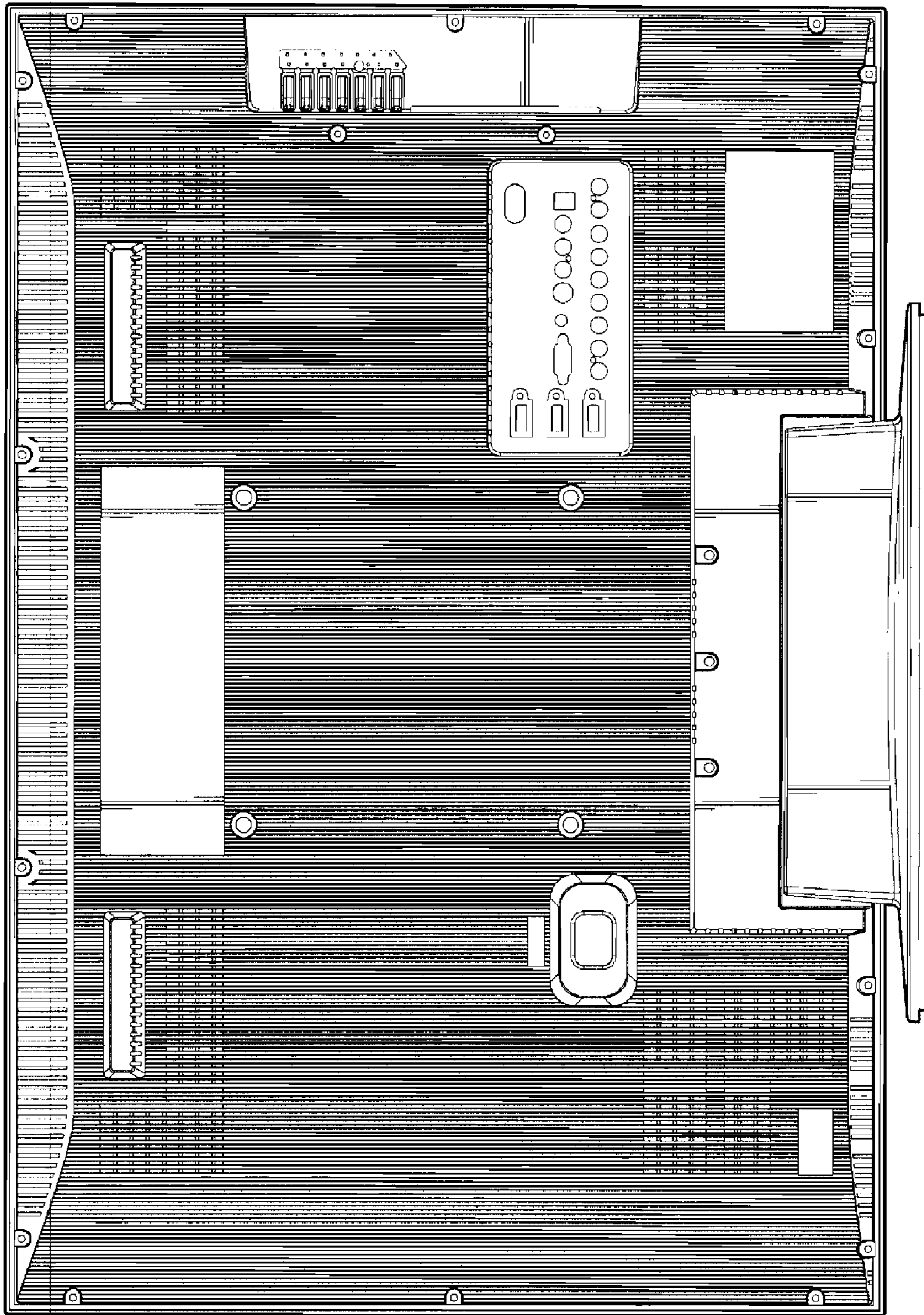


FIG.3

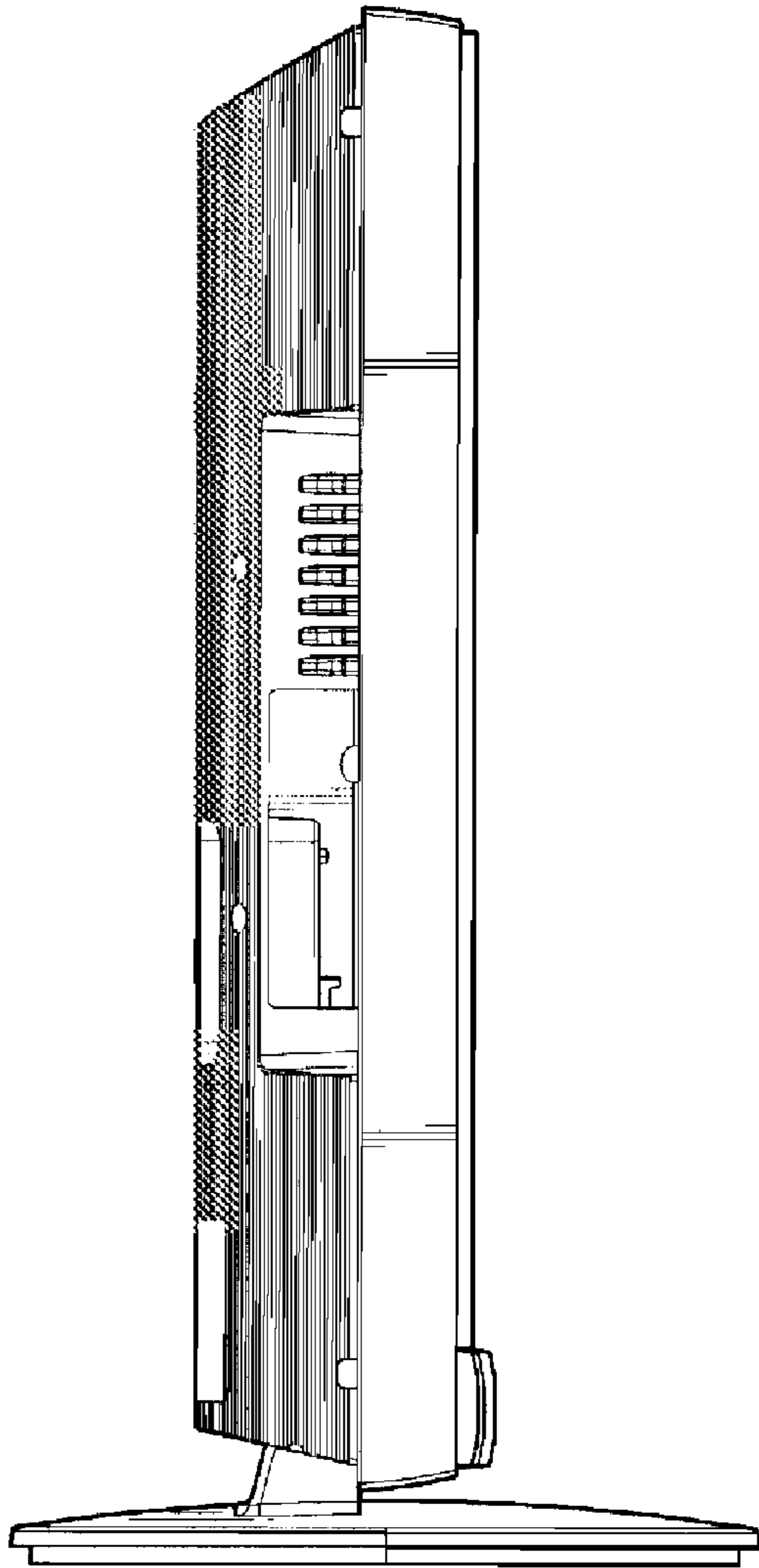


FIG. 4

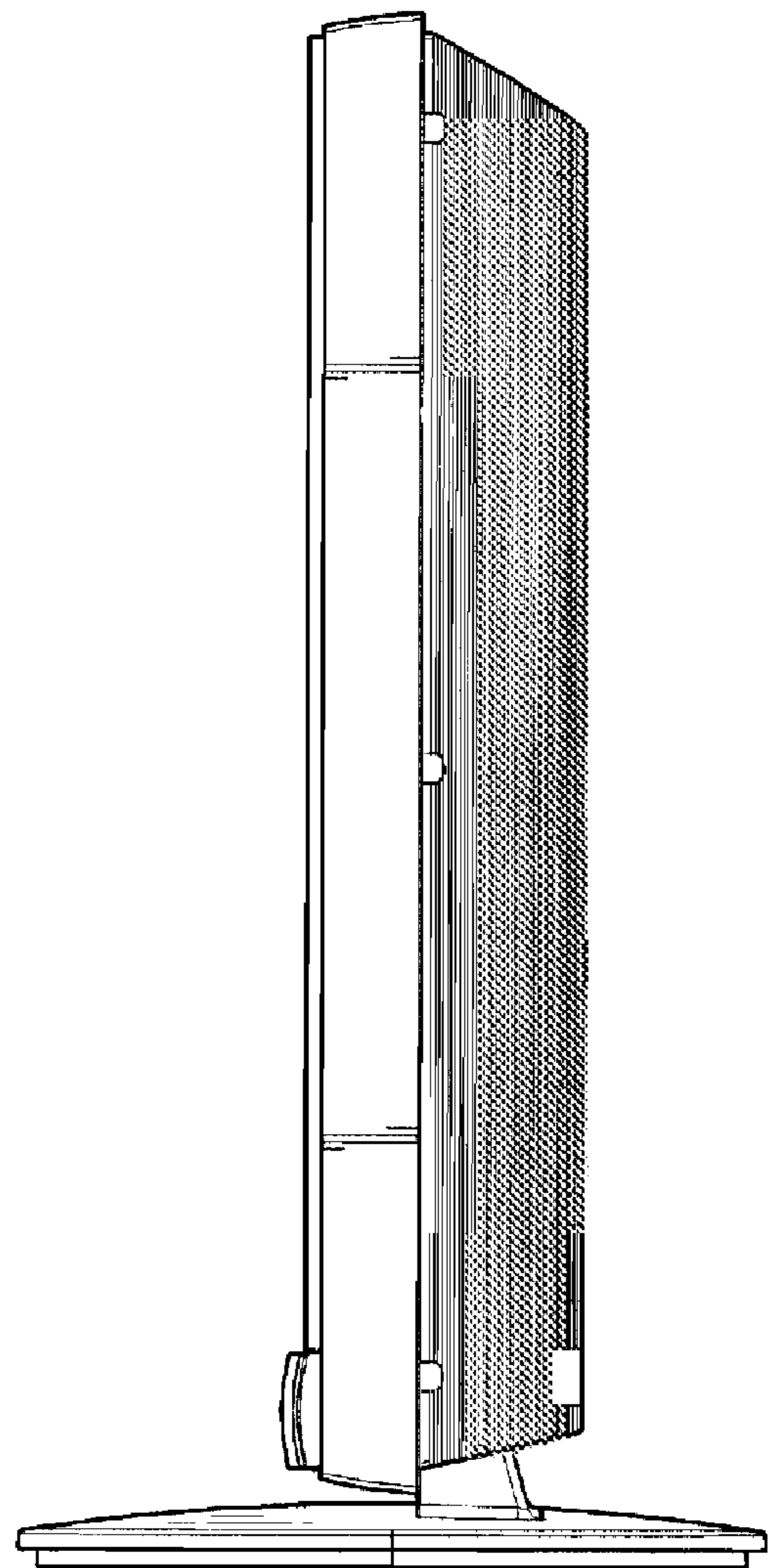


FIG. 5

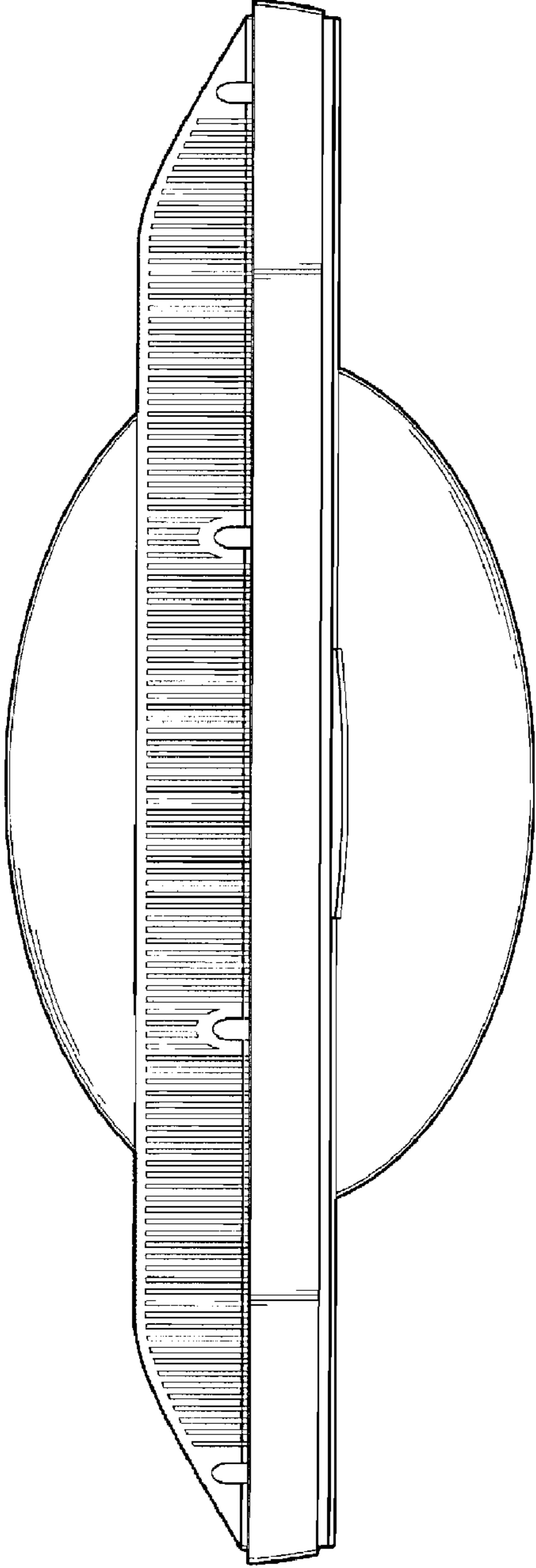


FIG. 6

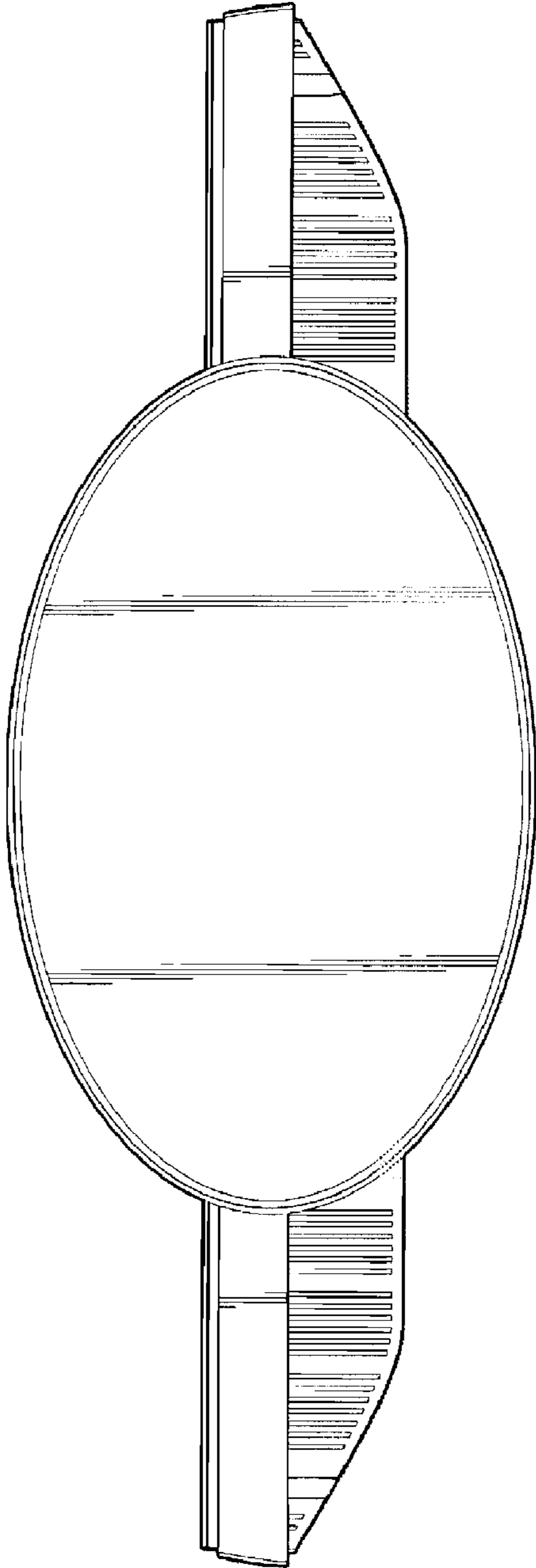


FIG. 7