



US00D621398S

(12) **United States Design Patent**
Loi et al.

(10) **Patent No.:** **US D621,398 S**
(45) **Date of Patent:** **** Aug. 10, 2010**

(54) **PORTABLE COMPUTER**

(75) Inventors: **Wean-Fong Loi**, Taipei (TW);
Chia-Cheng Shih, Taipei (TW);
Hung-Hsiang Chen, Taipei (TW);
Daniel Alenquer, Taipei (TW);
Wee-Kiat Tan, Taipei (TW); **Luke Goh**,
Taipei (TW); **Alec Wong**, Taipei (TW);
Xiao-Nan Huang, Taipei (TW); **Lionel**
Wong, Taipei (TW)

(73) Assignee: **ASUSTeK Computer Inc.**, Taipei (TW)

(**) Term: **14 Years**

(21) Appl. No.: **29/337,496**

(22) Filed: **May 22, 2009**

(30) **Foreign Application Priority Data**

Dec. 4, 2008 (TW) 97306899

(51) **LOC (9) Cl.** **14-02**

(52) **U.S. Cl.** **D14/327**

(58) **Field of Classification Search** D14/315-327;
D18/1, 2, 7, 11; 235/145 A, 145 R; 341/22,
341/23; 345/104, 156, 168, 169, 173, 87,
345/901-905; 361/679.01-679.09, 679.15,
361/679.17, 679.27

See application file for complete search history.

(56) **References Cited**

U.S. PATENT DOCUMENTS

D317,443 S * 6/1991 Wilson et al. D14/315

5,200,913 A * 4/1993 Hawkins et al. 361/679.09
5,375,076 A * 12/1994 Goodrich et al. 361/679.17
6,067,224 A * 5/2000 Nobuchi 361/679.27
6,351,372 B1 * 2/2002 Kim 361/679.15
D454,126 S * 3/2002 Bliven et al. D14/327
D556,192 S * 11/2007 Jeong et al. D14/327
2005/0018396 A1 * 1/2005 Nakajima et al. 361/683

* cited by examiner

Primary Examiner—Freda S Nunn

(74) *Attorney, Agent, or Firm*—Muncy, Geissler, Olds &
Lowe, PLLC

(57) **CLAIM**

The ornamental design for a portable computer, as shown and
described.

DESCRIPTION

FIG. 1 is a top, front, side perspective view of the portable
computer showing our new design in the closed position;

FIG. 2 is a front elevational view thereof;

FIG. 3 is a rear elevational view thereof;

FIG. 4 is a left elevational view thereof;

FIG. 5 is a right elevational view thereof;

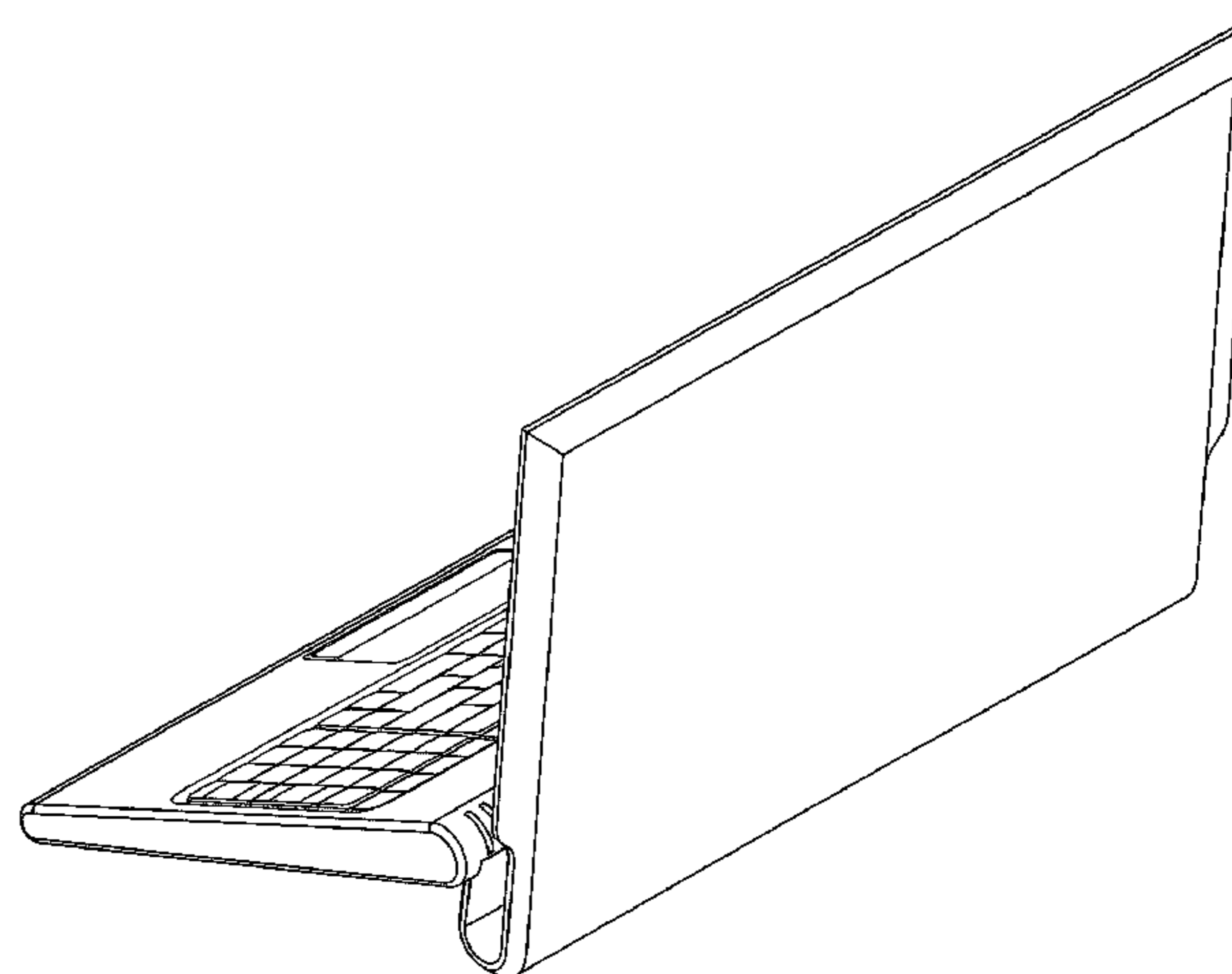
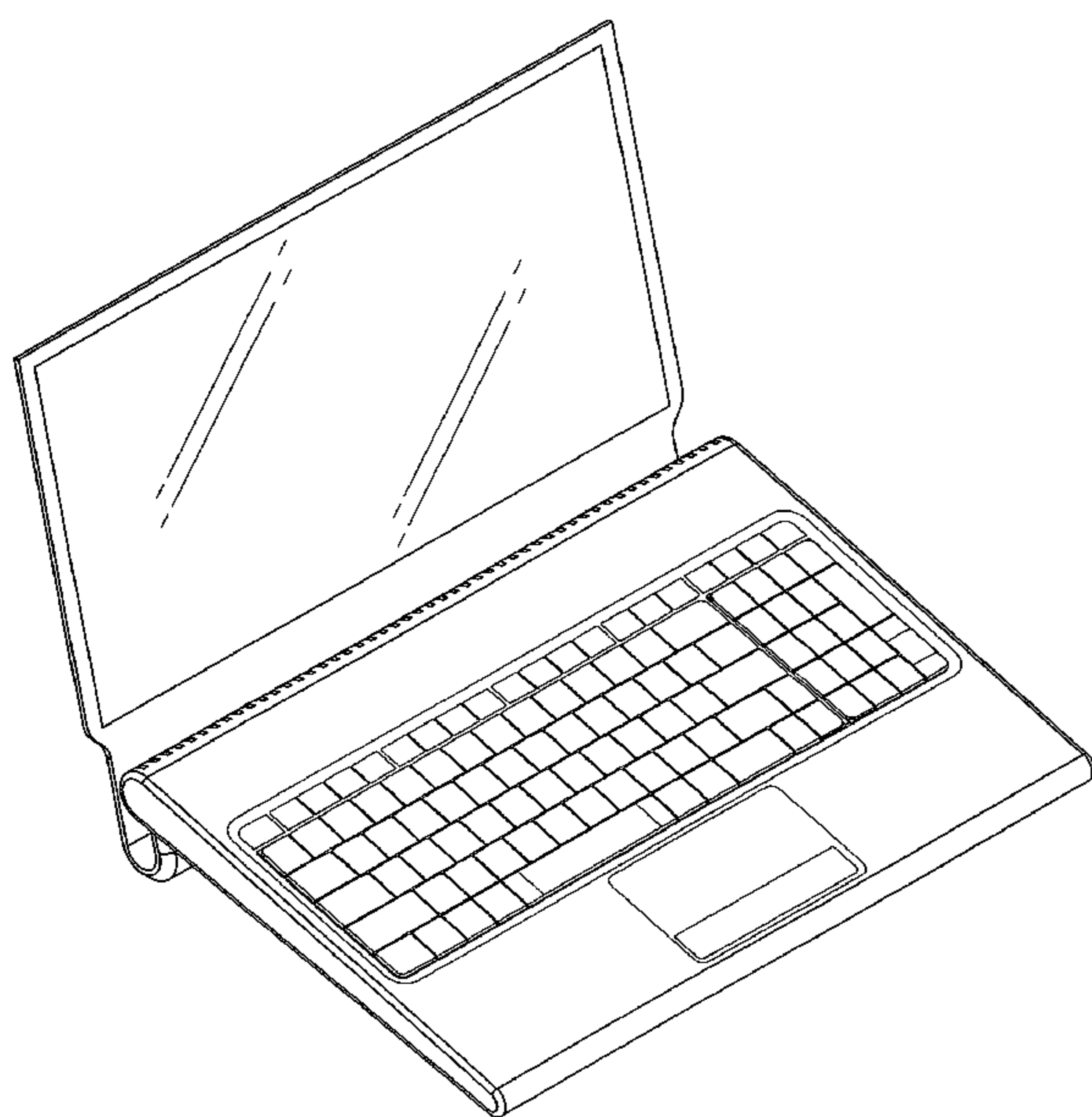
FIG. 6 is a top view thereof;

FIG. 7 is a bottom view thereof;

FIG. 8 is a top, front and side perspective view thereof shown
in the opened position; and,

FIG. 9 is a top, rear and opposite side perspective view
thereof.

1 Claim, 7 Drawing Sheets



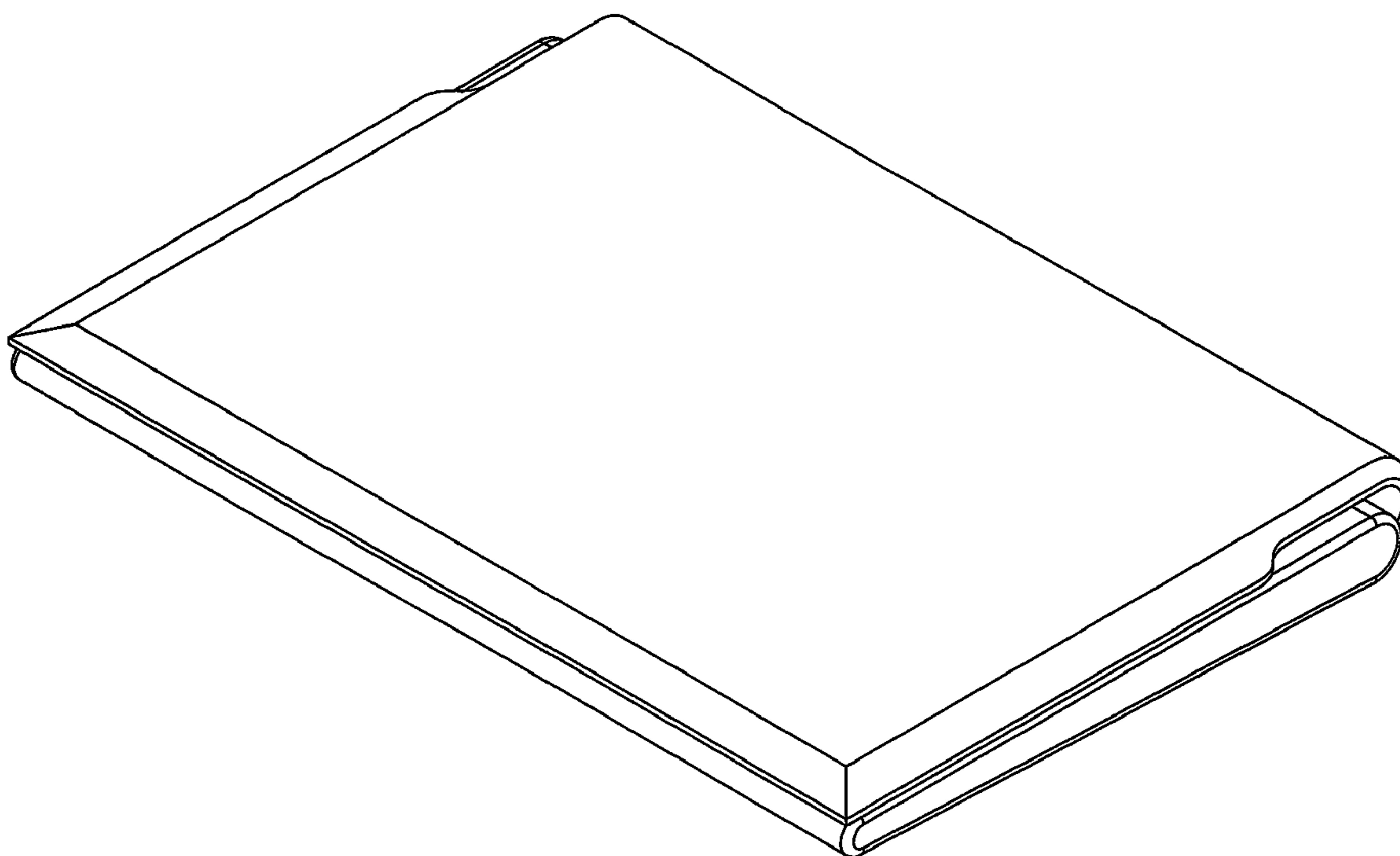


FIG. 1

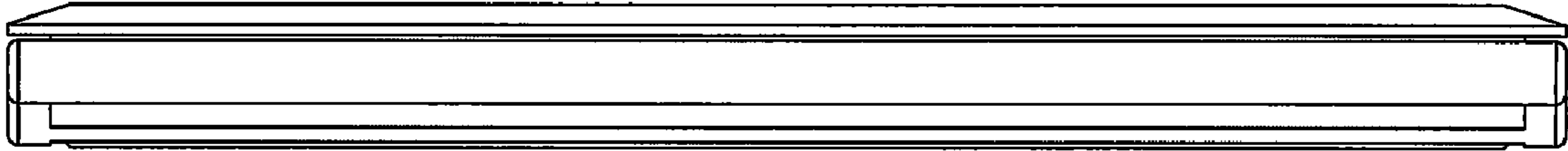


FIG. 2



FIG. 3

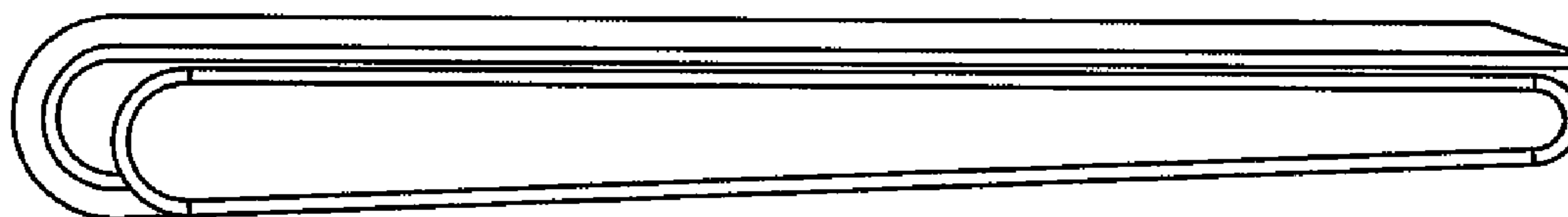


FIG. 4

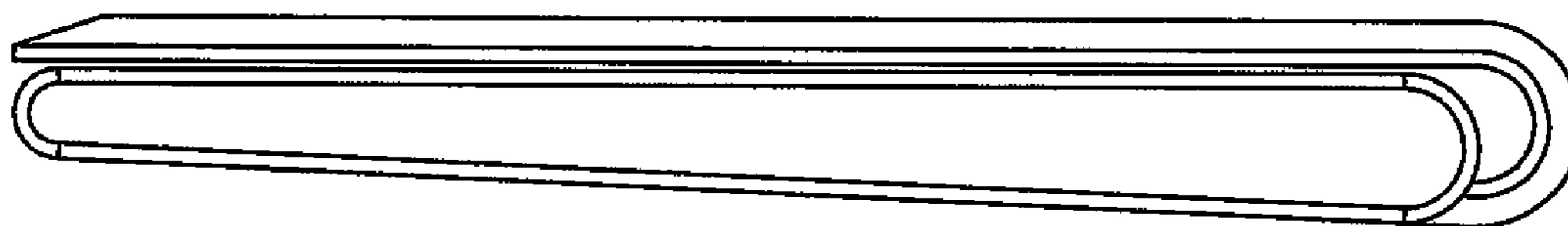


FIG. 5

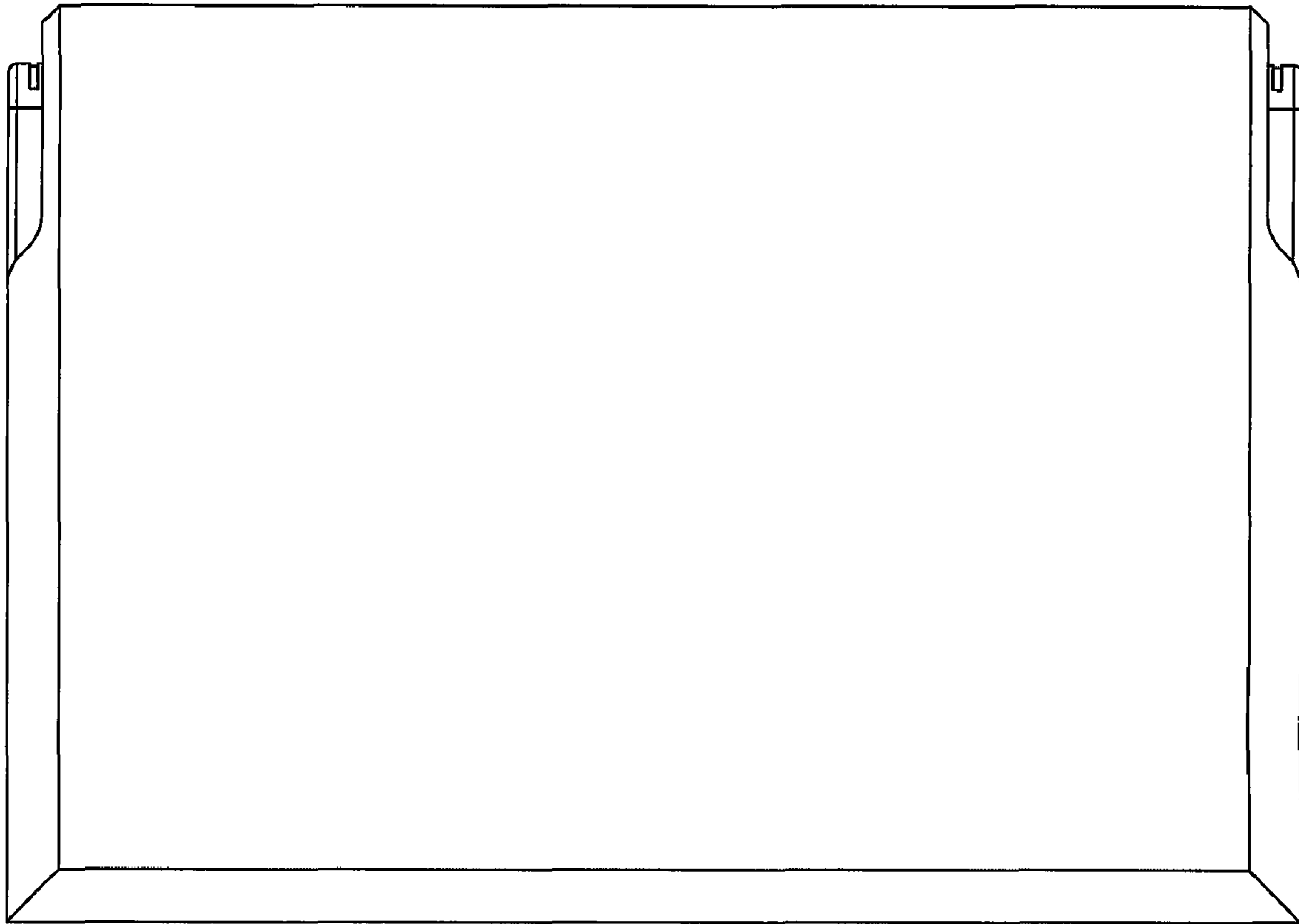


FIG. 6

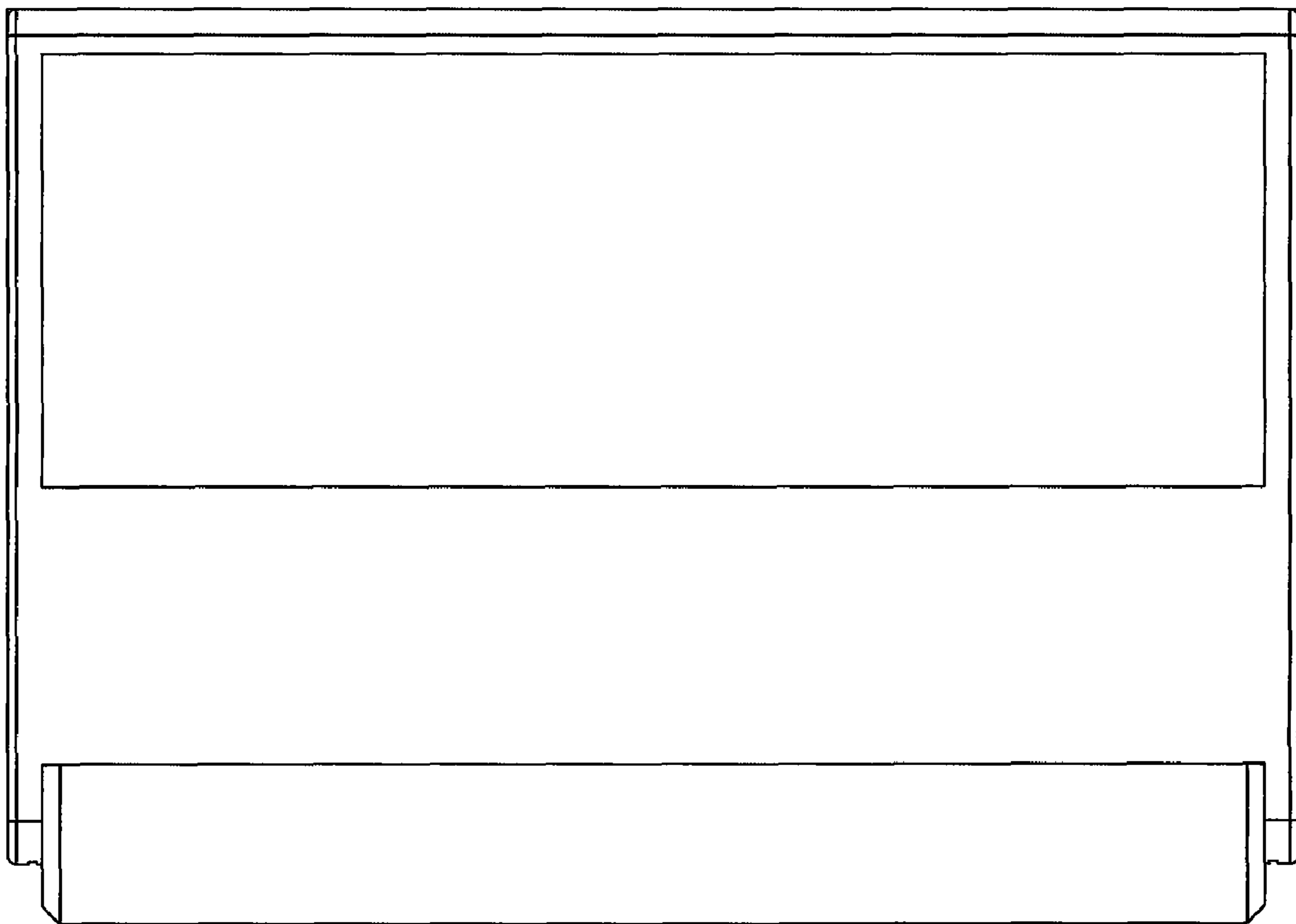


FIG. 7

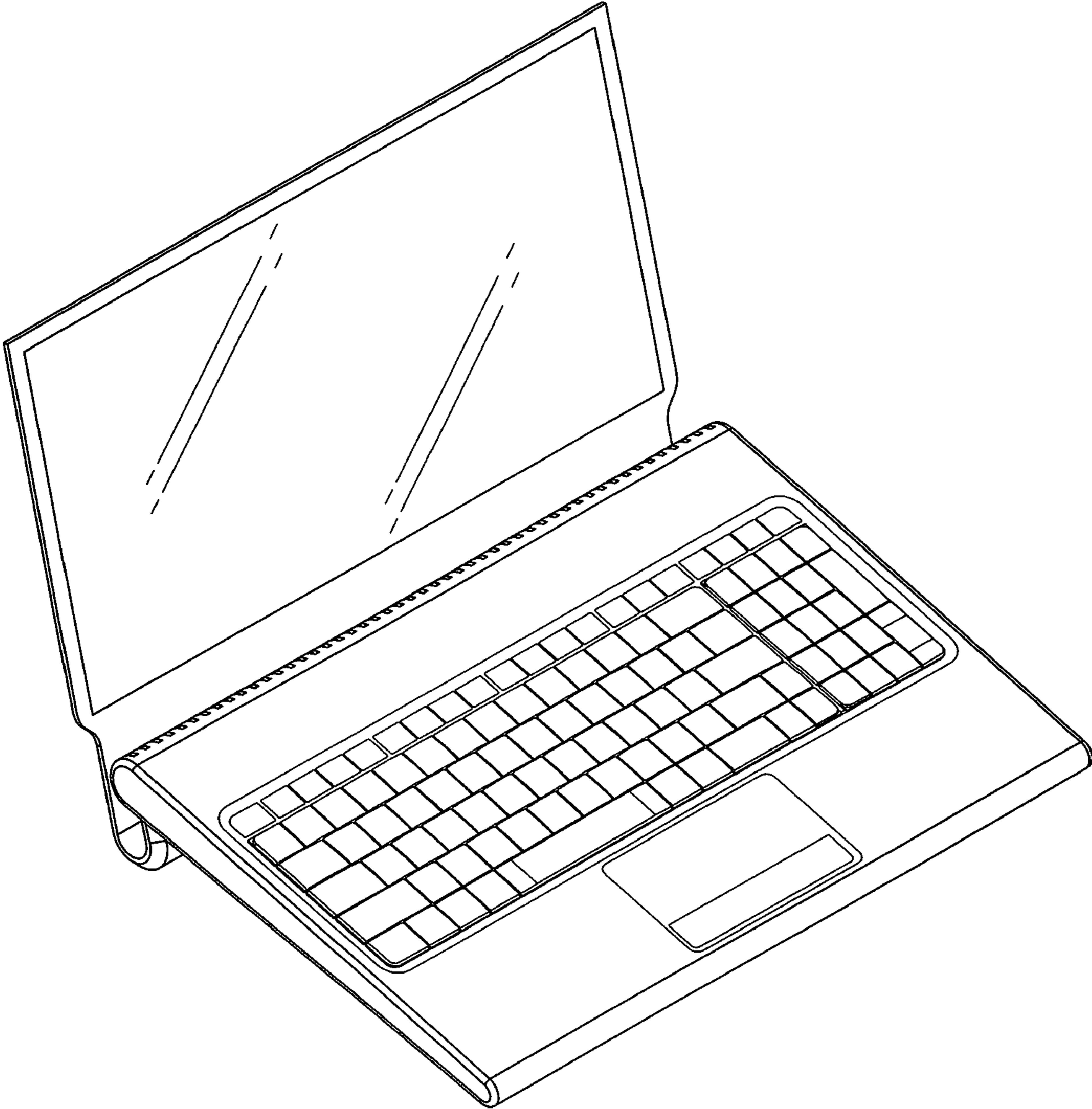


FIG. 8

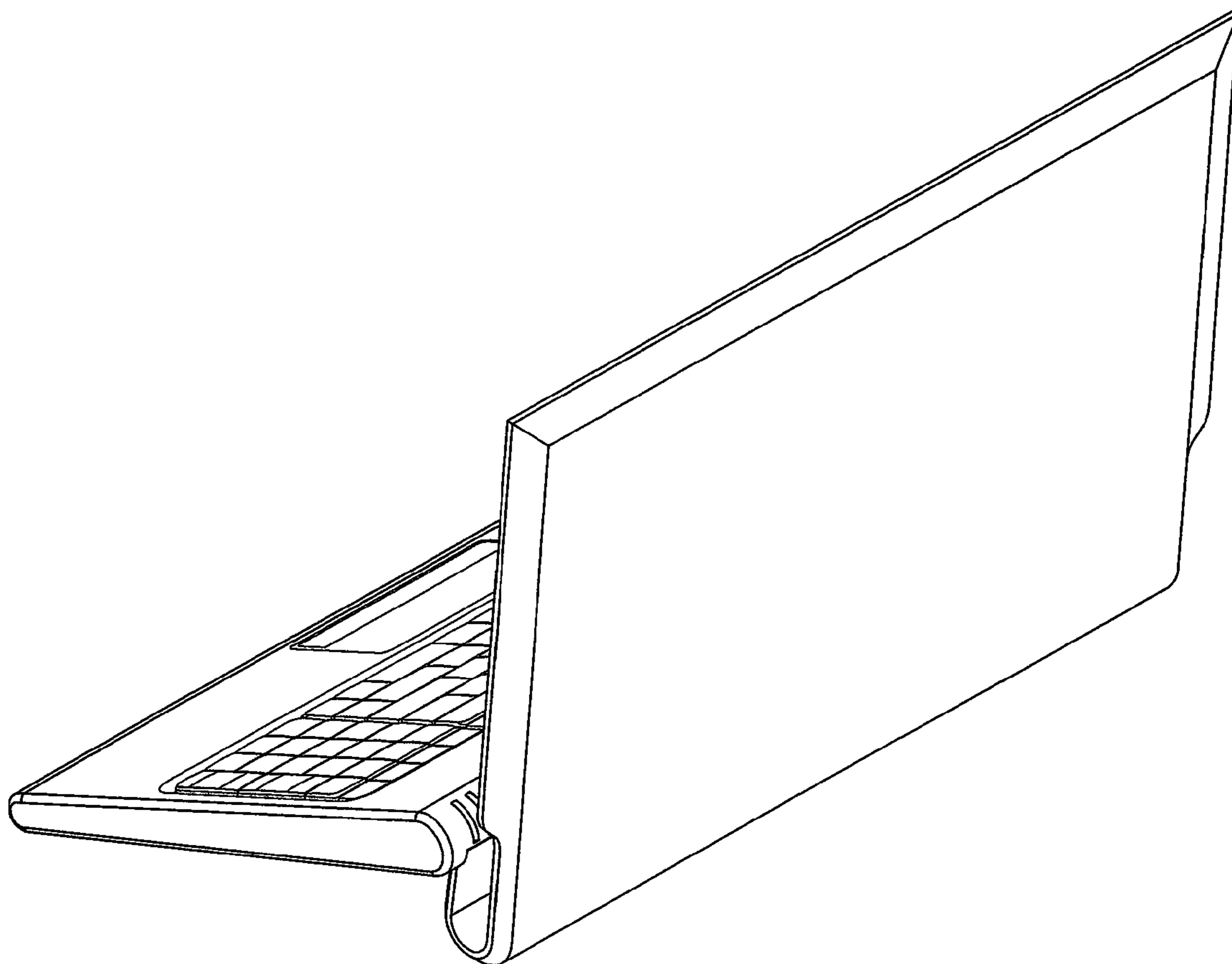


FIG. 9