



US00D621397S

(12) **United States Design Patent**
Andre et al.

(10) **Patent No.:** **US D621,397 S**
(45) **Date of Patent:** **** Aug. 10, 2010**

(54) **ELECTRONIC DEVICE**

(75) Inventors: **Bartley K. Andre**, Menlo Park, CA (US); **Daniel J. Coster**, San Francisco, CA (US); **Daniele De Iuliis**, San Francisco, CA (US); **Evans Hankey**, San Francisco, CA (US); **Richard P. Howarth**, San Francisco, CA (US); **Jonathan P. Ive**, San Francisco, CA (US); **Duncan Robert Kerr**, San Francisco, CA (US); **Shin Nishibori**, Portola Valley, CA (US); **Matthew Dean Rohrbach**, San Francisco, CA (US); **Peter Russell-Clarke**, San Francisco, CA (US); **Douglas B. Satzger**, Menlo Park, CA (US); **Christopher J. Stringer**, Woodside, CA (US); **Eugene Antony Whang**, San Francisco, CA (US); **Rico Zorkendorfer**, San Francisco, CA (US)

(73) Assignee: **Apple Inc.**, Cupertino, CA (US)

(**) Term: **14 Years**

(21) Appl. No.: **29/354,259**

(22) Filed: **Jan. 21, 2010**

Related U.S. Application Data

(63) Continuation of application No. 29/345,793, filed on Oct. 22, 2009, now Pat. No. Des. 613,283, which is a continuation of application No. 29/294,332, filed on Jan. 4, 2008, now Pat. No. Des. 604,729.

(51) **LOC (9) Cl.** **14-02**

(52) **U.S. Cl.** **D14/314**

(58) **Field of Classification Search** D14/314, D14/348, 363-369, 353-356; D13/162, D13/184, 199; 312/223.1-223.3; 360/99.01-99.12; 369/34.01, 36.01; 361/679.01

See application file for complete search history.

(56) **References Cited**

U.S. PATENT DOCUMENTS

D299,651 S 1/1989 Preussner

D301,470 S 6/1989 Preussner
D347,212 S 5/1994 Riley
D373,117 S * 8/1996 Barthelemy et al. D14/353
D426,831 S * 6/2000 Hu D14/348

(Continued)

FOREIGN PATENT DOCUMENTS

JP 1241895 6/2005

(Continued)

OTHER PUBLICATIONS

Eyegonomic, Eyegonomic Eyebow, www.prweb.com, available at least as early as Mar. 10, 2004.

(Continued)

Primary Examiner—Freda S Nunn
(74) *Attorney, Agent, or Firm*—SAIDMAN DesignLaw Group

(57) **CLAIM**

The ornamental design for an electronic device, as shown and described.

DESCRIPTION

FIG. 1 is a front, top perspective view of an electronic device showing our new design;

FIG. 2 is rear, bottom perspective view thereof;

FIG. 3 is a front view thereof;

FIG. 4 is a rear view thereof;

FIG. 5 is a left side view thereof;

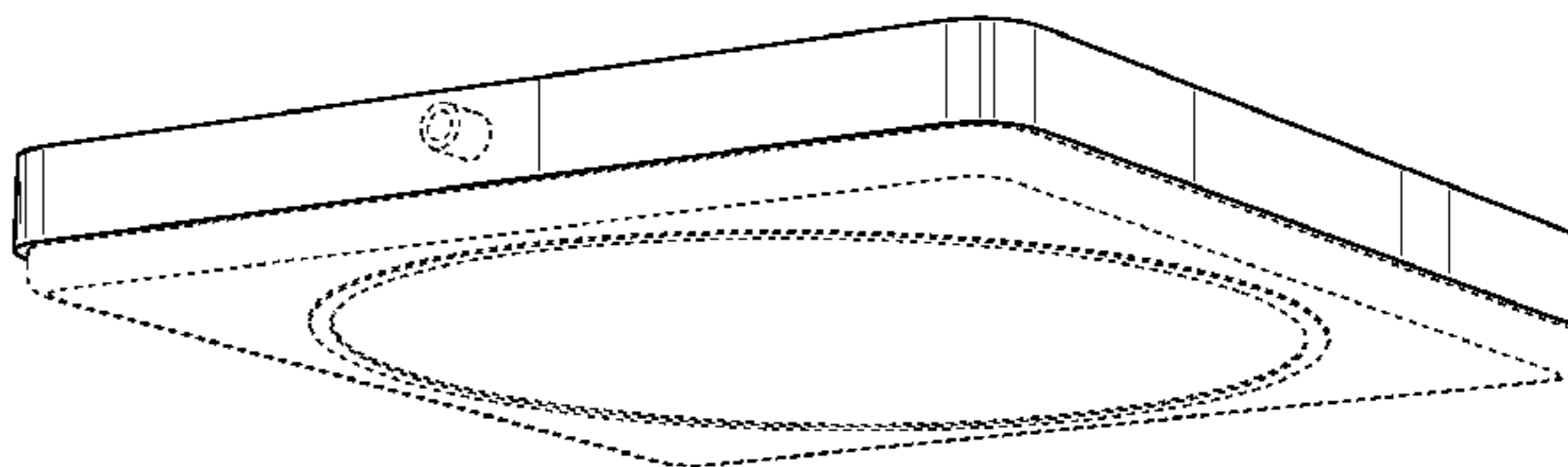
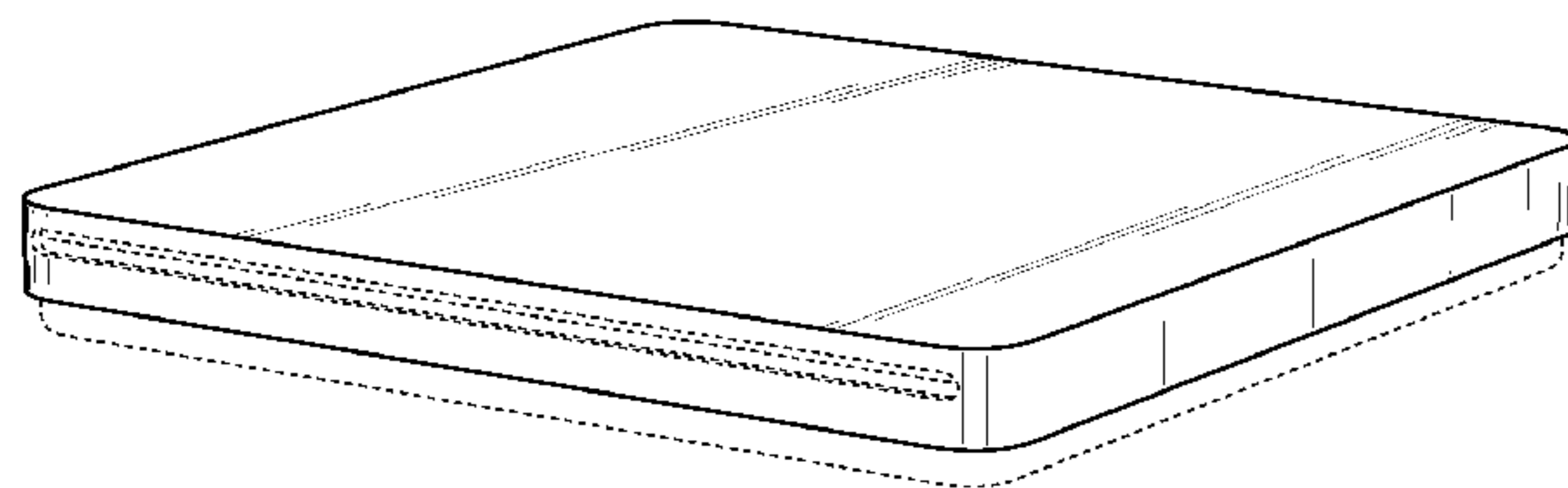
FIG. 6 is a right side view thereof;

FIG. 7 is a top view thereof; and,

FIG. 8 is a bottom view thereof.

The broken line showing of the base and slot is for the purpose of illustrating portions of the electronic device and forms no part of the claimed design.

1 Claim, 5 Drawing Sheets



U.S. PATENT DOCUMENTS

D435,845 S * 1/2001 Piersol D14/355
D461,187 S * 8/2002 Andre et al. D14/356
D494,579 S 8/2004 Chuang et al.
6,933,928 B1 8/2005 Lilienthal
D513,617 S 1/2006 Tierney
D522,531 S 6/2006 Solomon et al.
D526,648 S 8/2006 Andre et al.
D533,177 S 12/2006 Andre et al.
D537,817 S 3/2007 Andre et al.
D542,288 S 5/2007 Andre et al.
D544,497 S 6/2007 Kindle et al.
D558,790 S 1/2008 Andre et al.
D582,429 S 12/2008 Kusano et al.
D596,626 S 7/2009 Andre et al.
D601,583 S 10/2009 Andre et al.
D601,585 S 10/2009 Andre et al.
D604,729 S * 11/2009 Andre et al. D14/314

FOREIGN PATENT DOCUMENTS

JP 1241896 6/2005

OTHER PUBLICATIONS

Eyegonomic, Eyegonomic Eyebox, www.eyegonomic.com/page=205, available at least as early as Feb. 7, 2005.
Green House, Mac Mini, www.green-house.co.jp, Nov. 14, 2005.
U.S. Appl. No. 29/266,005 entitled "Media Device" filed Sep. 11, 2006.
Office action dated Apr. 22, 2008 in U.S. Appl. No. 29/266,005 entitled "Media Device".
Office action dated Apr. 23, 2008 in U.S. Appl. No. 29/265,955 entitled "Media Device".
Office action dated Nov. 19, 2008 in U.S. Appl. No. 29/265,955 entitled "Media Device".
Office action dated Nov. 25, 2008 in U.S. Appl. No. 29/266,005 entitled "Media Device".
http://www.amazon.com/gp/product/images/B000CDR8PU/ref=dp_othersviews_3?ie=UTF8&s=electronics&simg=3, first available Apr. 2, 2004.
U.S. Appl. No. 29/345,793 entitled "Electronic Device" filed Oct. 22, 2009.

* cited by examiner

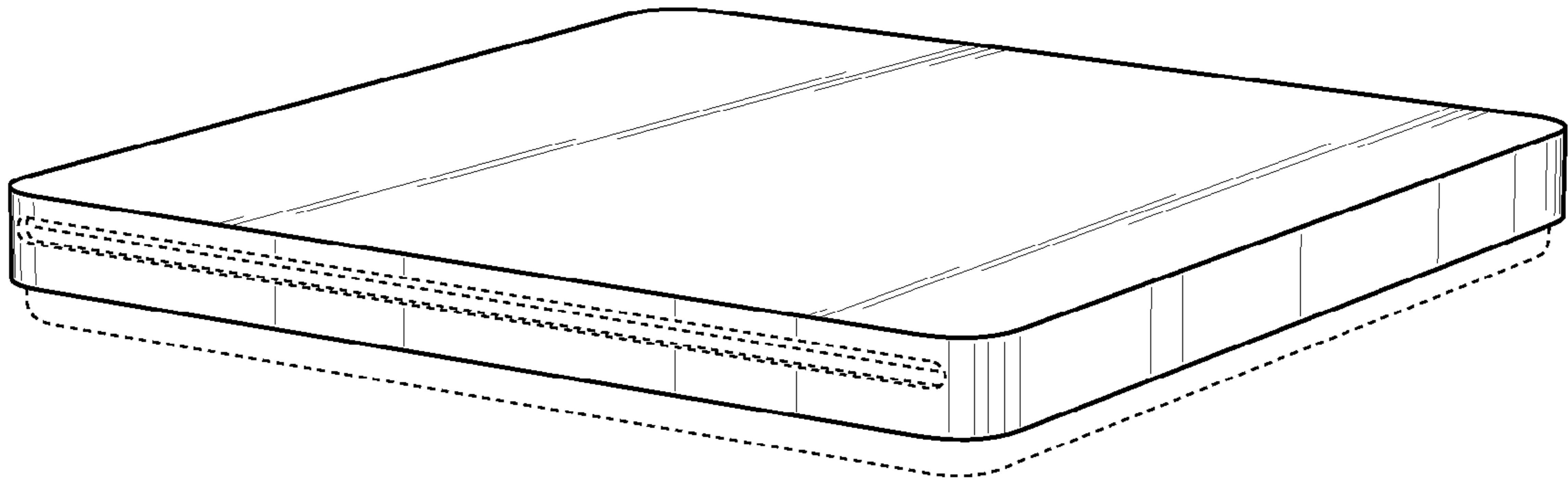


Fig. 1

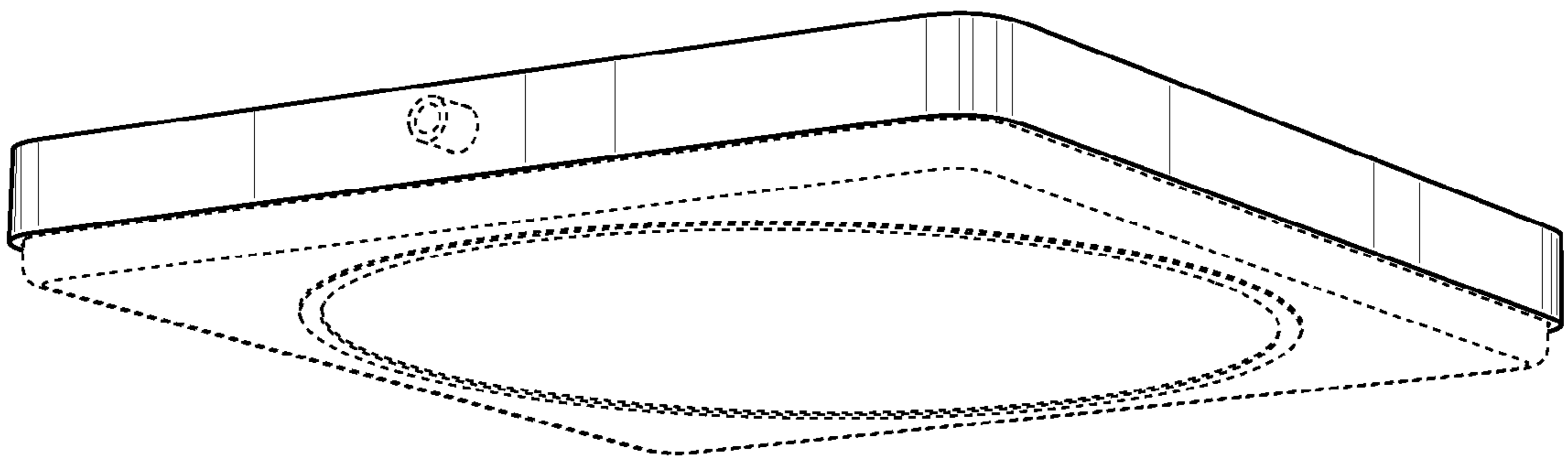


Fig. 2

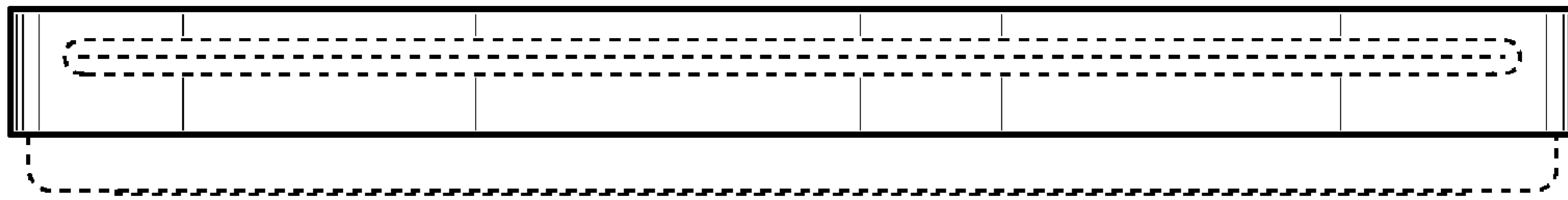


Fig. 3

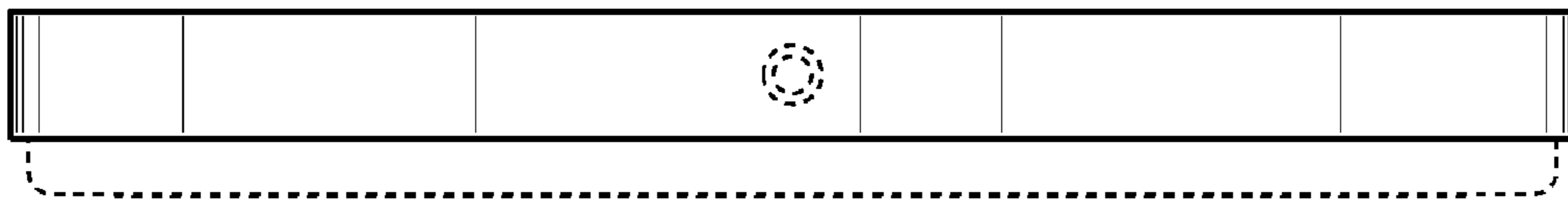


Fig. 4



Fig. 5

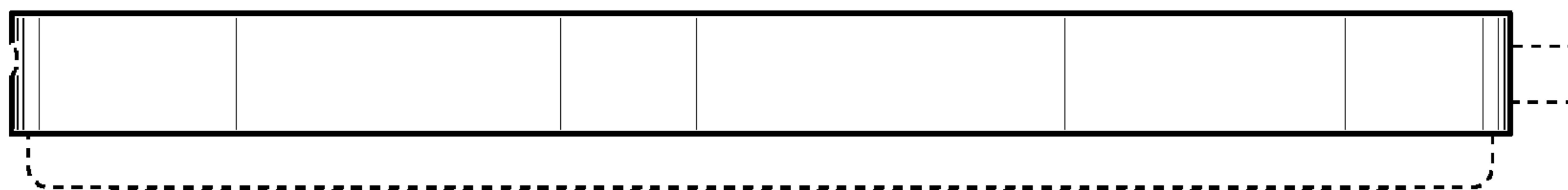


Fig. 6

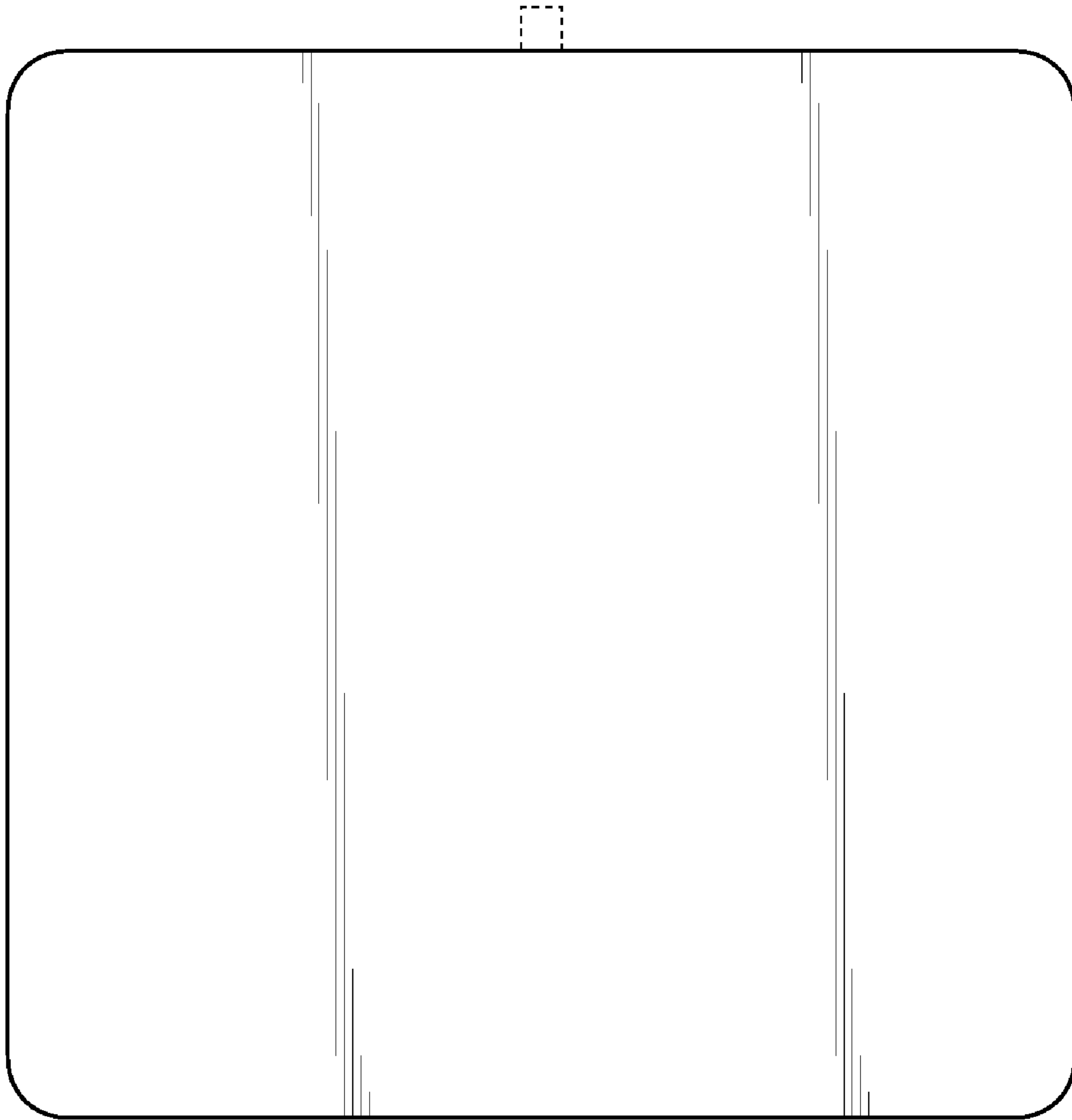


Fig. 7

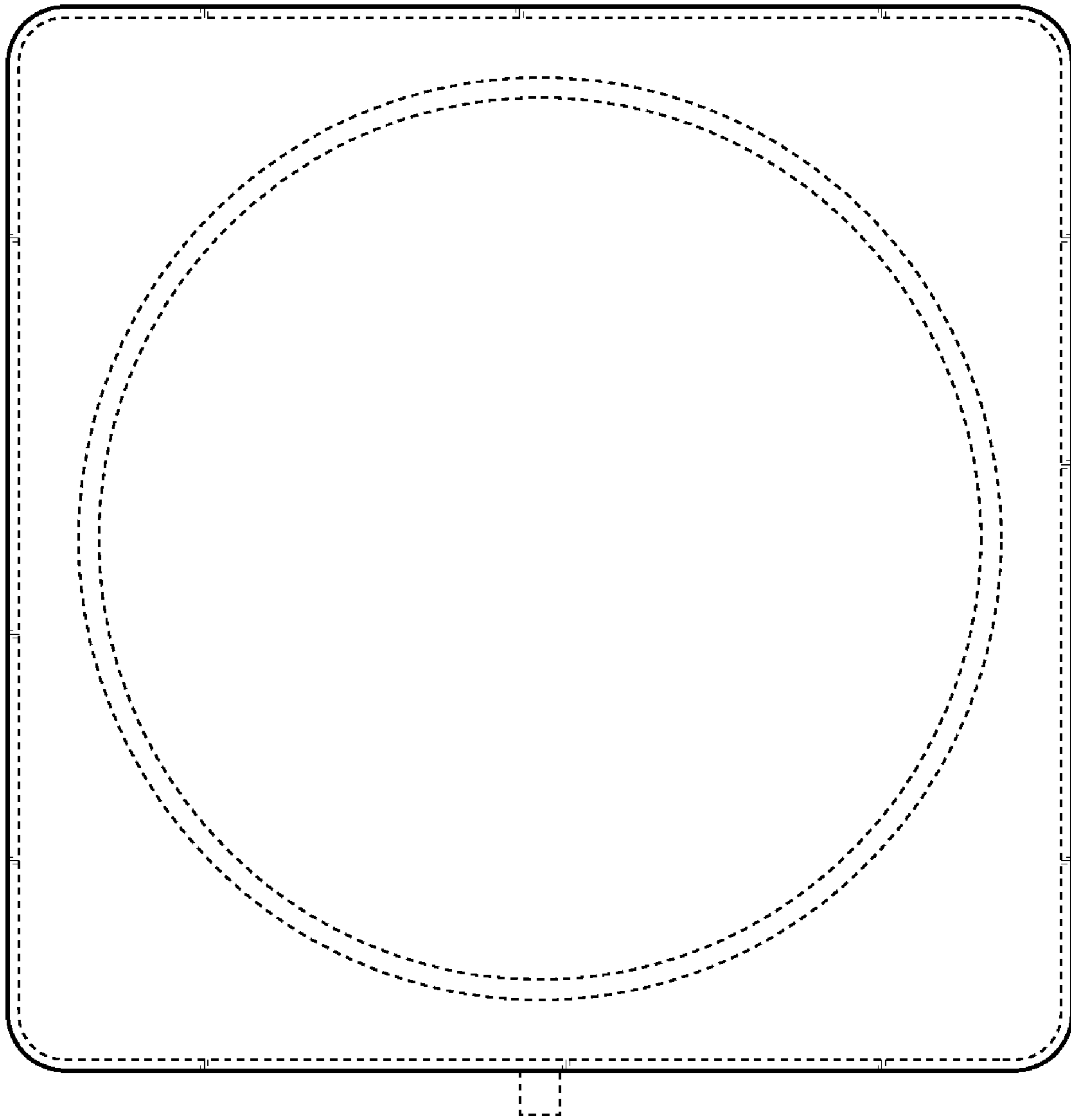


Fig. 8