



US00D621396S

(12) **United States Design Patent**
Lee et al.

(10) **Patent No.:** **US D621,396 S**

(45) **Date of Patent:** **** Aug. 10, 2010**

(54) **CRADLE FOR PORTABLE PHONE**

(75) Inventors: **Byung Chan Lee**, Yongin-si (KR); **Joon Suh Kim**, Anyang-si (KR); **Chang-Soo Lee**, Incheon (KR)

(73) Assignee: **Samsung Electronics Co., Ltd.**, Suwon-Si (KR)

(**) Term: **14 Years**

(21) Appl. No.: **29/287,030**

(22) Filed: **Jun. 20, 2007**

(30) **Foreign Application Priority Data**

Dec. 28, 2006 (KR) 30-2006-0051936

(51) **LOC (9) Cl.** **14-03**

(52) **U.S. Cl.** **D14/252**

(58) **Field of Classification Search** D14/140, D14/142, 167, 217, 218, 240, 242, 248, 250–253, D14/299, 138 AA, 345, 247, 496, 138 AB; D3/200–201, 218–219, 228, 269, 301, 299; D13/103, 107–108, 119; 220/4.02; 224/191, 224/240, 241, 245, 682–683; 248/206.2–206.4, 248/220.21, 279.1, 309.1; 361/679.3, 679.56; 379/420.04, 426, 433.11, 446–447, 454, 379/455; 455/575.1, 575.6, 575.7, 575.8, 455/575.9; 190/100; 206/305, 320; D6/632
See application file for complete search history.

(56) **References Cited**

U.S. PATENT DOCUMENTS

4,718,550 A * 1/1988 Johnson 206/387.13

(Continued)

FOREIGN PATENT DOCUMENTS

WO DM/060574 * 4/2002

(Continued)

OTHER PUBLICATIONS

Freedom Slim Universal Cell Phone Bluetooth Keyboard, <URL:http://www.1800mobiles.com/bluetooth-keyboard1.html>, retrieved from internet Dec. 6, 2009.*

(Continued)

Primary Examiner—Robert M Spear

Assistant Examiner—Carla Jobe Wright

(74) *Attorney, Agent, or Firm*—Staas & Halsey LLP

(57) **CLAIM**

The ornamental design for a cradle for portable phone, as shown and described.

DESCRIPTION

FIG. 1 is a top perspective view of a cradle for portable phone shown in an open state;

FIG. 2 is a front view of the cradle for portable phone of FIG. 1;

FIG. 3 is a rear view of the cradle for portable phone of FIG. 1;

FIG. 4 is a left-side view of the cradle for portable phone of FIG. 1;

FIG. 5 is a right-side view of the cradle for portable phone of FIG. 1;

FIG. 6 is a top plan view of the cradle for portable phone of FIG. 1;

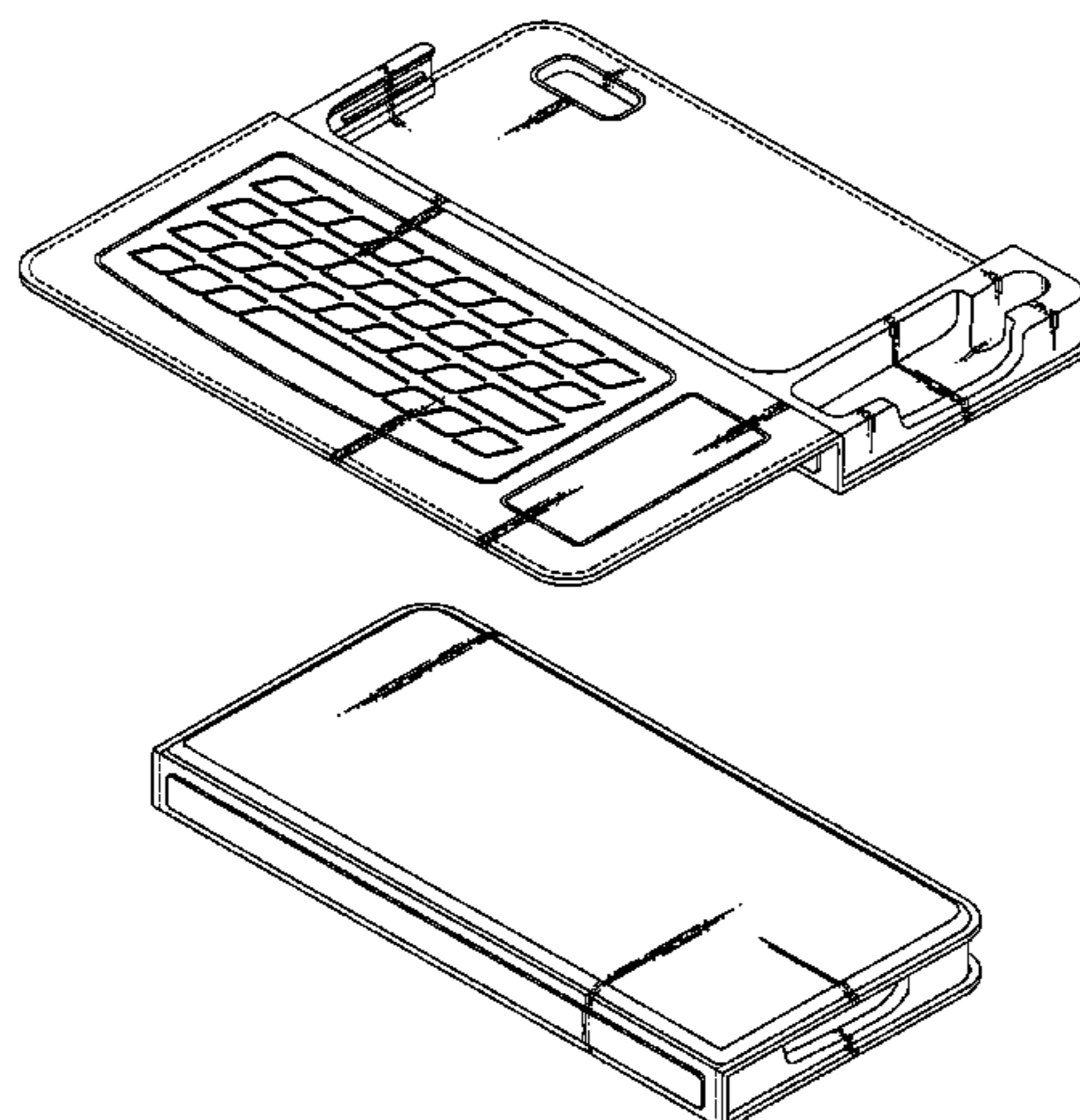
FIG. 7 is a bottom plan view of the cradle for portable phone of FIG. 1;

FIG. 8 is a top plan view of the cradle for portable phone of FIG. 1 shown in an open state with ear-set mounted; and,

FIG. 9 is a top perspective view of the cradle for portable phone of FIG. 1 shown in a closed state.

In the drawing, the broken lines depict unclaimed environment.

1 Claim, 7 Drawing Sheets



US D621,396 S

Page 2

U.S. PATENT DOCUMENTS

D317,977 S * 7/1991 Felkner et al. D3/299
5,145,068 A * 9/1992 Schmitz et al. 206/472
D423,273 S * 4/2000 Sankey et al. D6/632
D435,550 S * 12/2000 Chu et al. D14/345
7,158,634 B2 * 1/2007 Eromaki 379/433.13
7,199,554 B2 * 4/2007 Kim et al. 320/114
D558,973 S * 1/2008 Hussaini et al. D3/201
D559,267 S * 1/2008 Griffin D14/496
D563,364 S * 3/2008 Kim et al. D14/138 AB
D568,605 S * 5/2008 Harris et al. D3/218
D577,358 S * 9/2008 Kettula et al. D14/253
D582,405 S * 12/2008 Andre et al. D14/250

D594,028 S * 6/2009 Fuchsberg et al. D14/496
D601,992 S * 10/2009 Choi et al. D14/138 AB
2008/0053770 A1 * 3/2008 Tynyk 190/100
2008/0096620 A1 * 4/2008 Lee et al. 455/575.8

FOREIGN PATENT DOCUMENTS

WO DM/065757 * 7/2004

OTHER PUBLICATIONS

Swiss Bank Wallet Case #22, <URL:<http://www.daydeal.com/product.php?productid=37091>>, retrieved from internet Dec. 7, 2009.*

* cited by examiner

FIG. 1

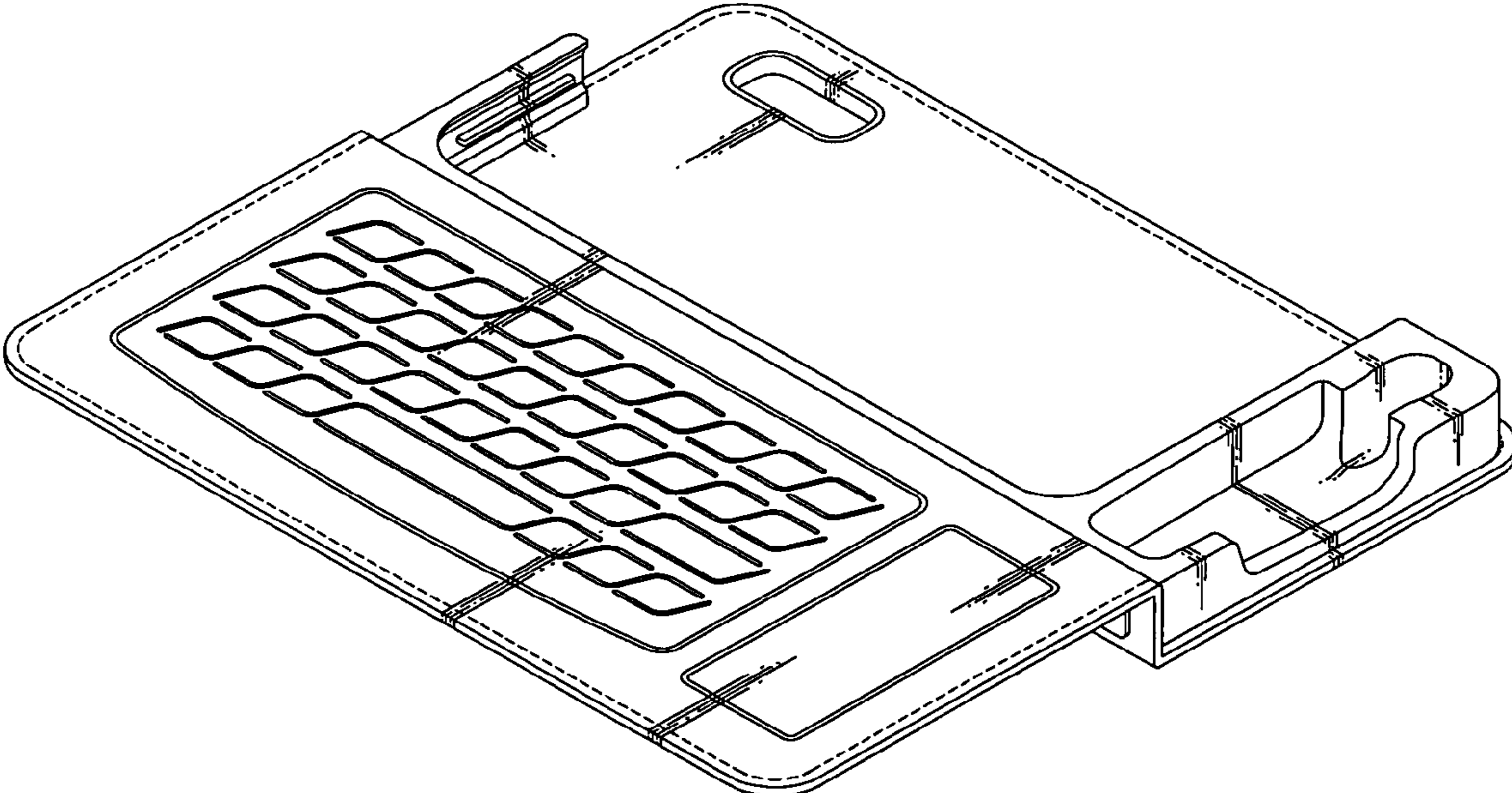


FIG. 2

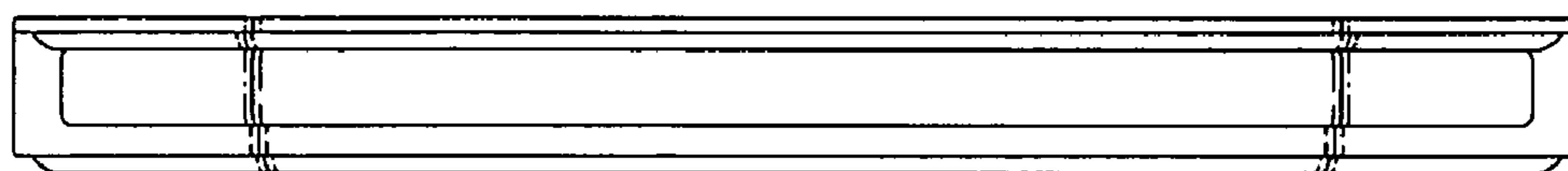


FIG. 3

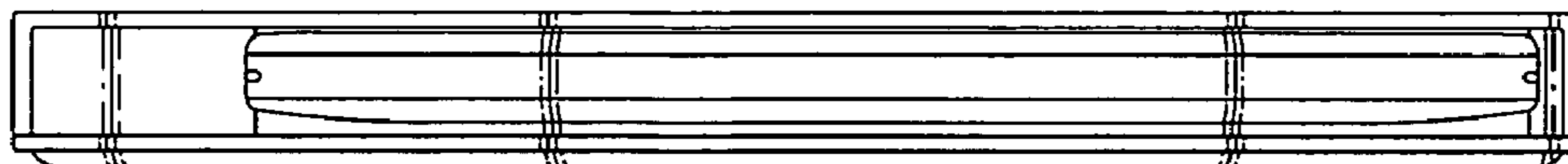


FIG. 4

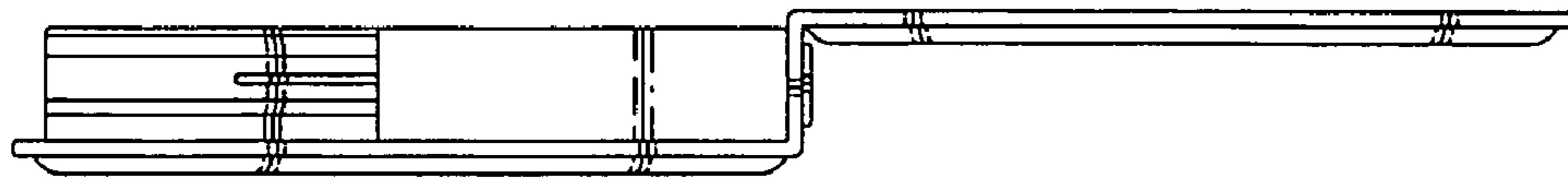


FIG. 5

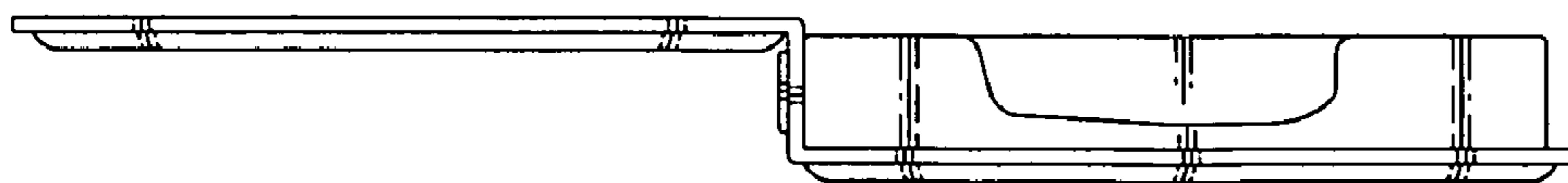


FIG. 6

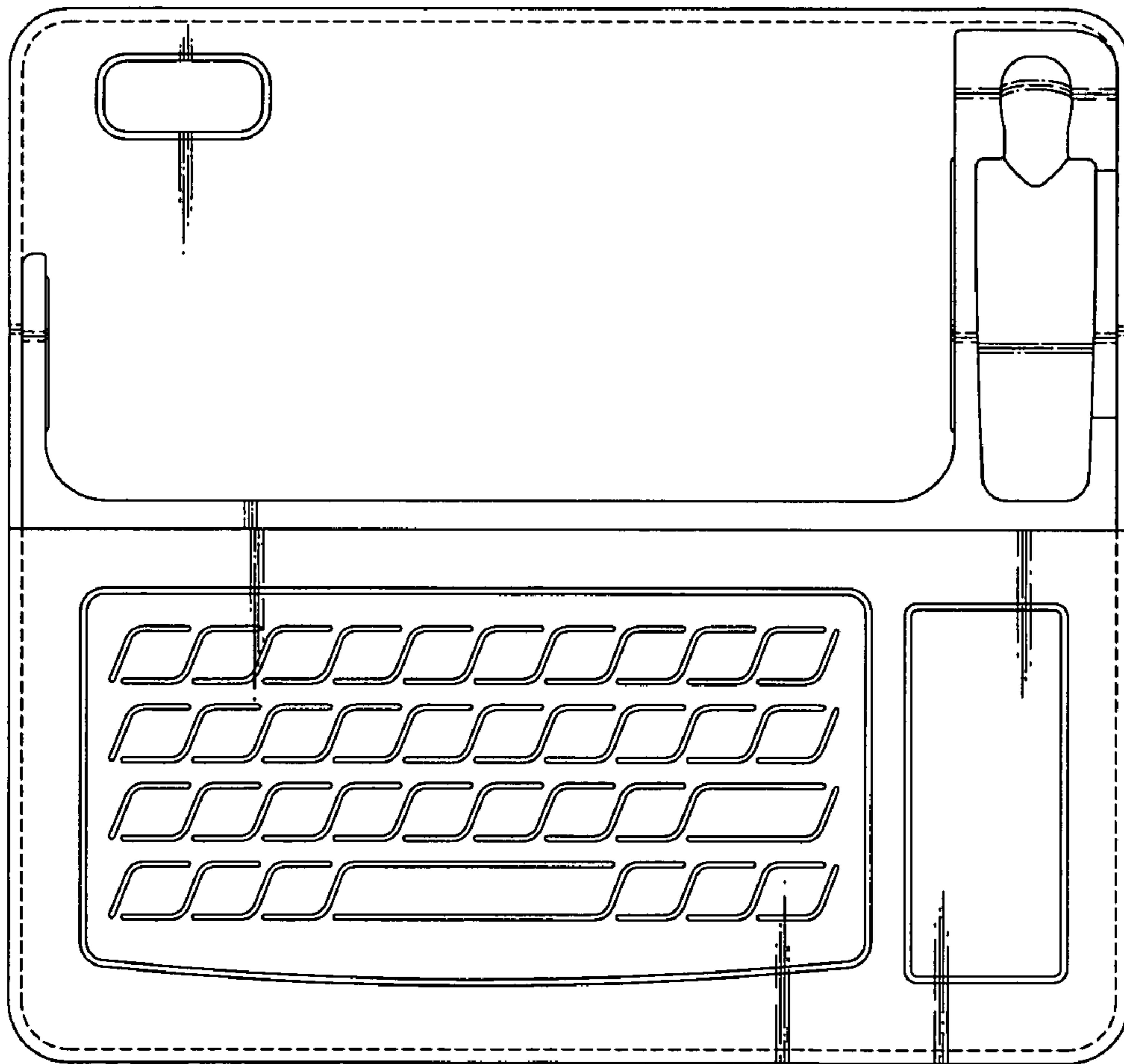


FIG. 7

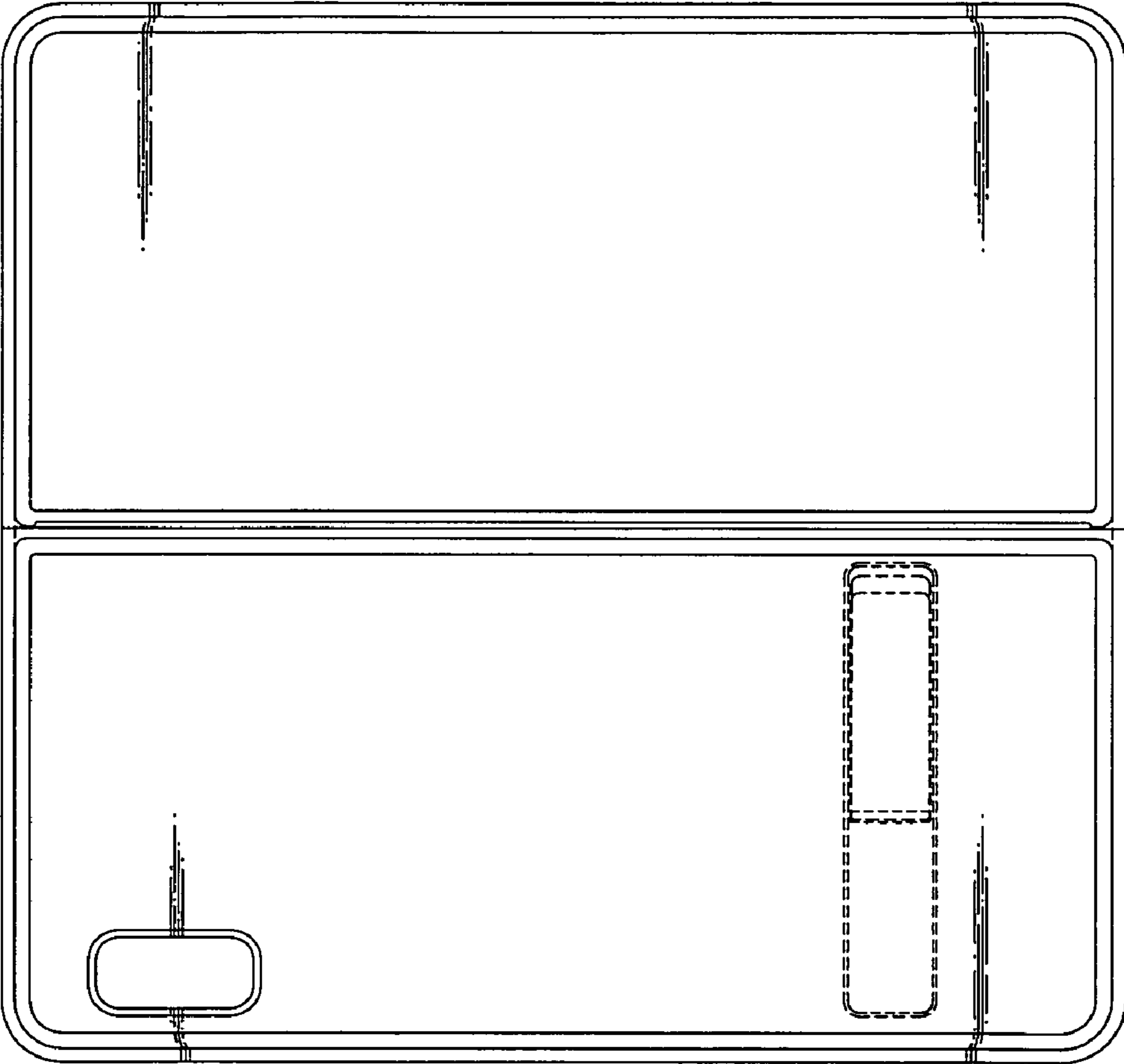


FIG. 8

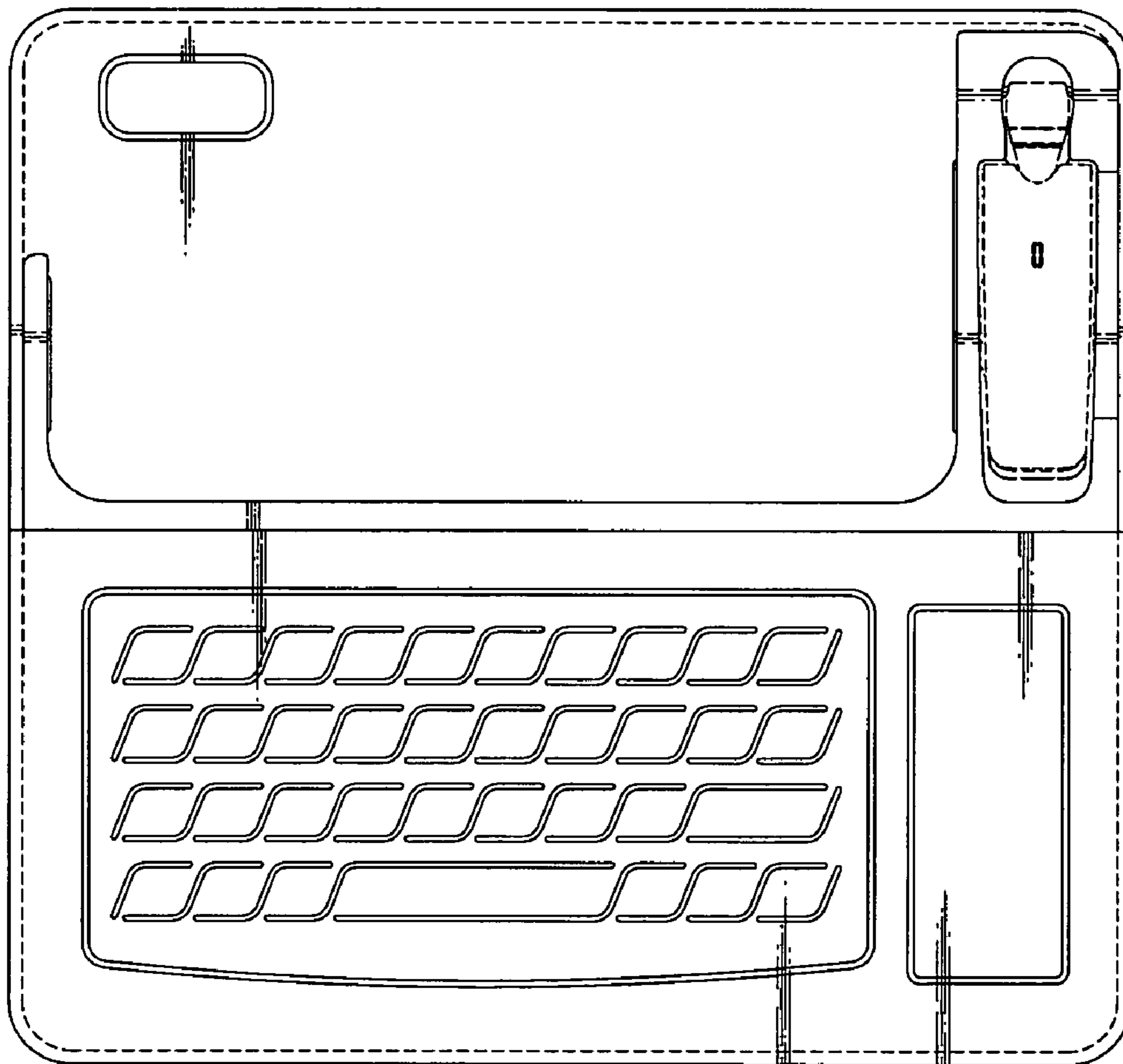


FIG. 9

