



US00D621390S

(12) **United States Design Patent**
Skull et al.

(10) **Patent No.:** **US D621,390 S**

(45) **Date of Patent:** **** Aug. 10, 2010**

(54) **MOUNT FOR ELECTRONIC DISPLAY**

D576,632 S * 9/2008 Stenhouse et al. D14/451
D576,633 S * 9/2008 Muday et al. D14/452
D593,081 S * 5/2009 Grolle et al. D14/239

(75) Inventors: **Joseph Skull**, Fridley, MN (US); **Joe Bures**, Columbia Heights, MN (US); **Robert Hagen**, Minneapolis, MN (US)

(Continued)

(73) Assignee: **Milestone AV Technologies LLC**, Savage, MN (US)

OTHER PUBLICATIONS

CAD Drawings printout for Rhinomounts dated Jul. 22, 2005, 9, pages.

(Continued)

(**) Term: **14 Years**

(21) Appl. No.: **29/351,339**

(22) Filed: **Dec. 3, 2009**

Primary Examiner—Raphael Barkai

Assistant Examiner—Randall H Gholson

(74) *Attorney, Agent, or Firm*—Patterson Thuent Christensen Pedersen, P.A.

(51) **LOC (9) Cl.** **14-03**

(52) **U.S. Cl.** **D14/239**

(58) **Field of Classification Search** D14/125–134, D14/239, 371, 136, 374–377; D8/363, 373, D8/349, 394; 248/465, 917–924, 123.11; 348/825, 827, 836, 837, 838, 180, 184, 325, 348/739; 600/443; D6/477–479, 407, 474, D6/460, 461, 468; 312/7.2; 341/12; 345/87, 345/104, 133, 156, 168, 169, 173; 720/605, 720/669, 600, 655; 369/99, 197; 455/344–347; 349/1, 2, 11, 62; 108/59, 91, 92, 96; 211/40, 211/41.12, 42, 49.1, 50, 85.2, 90.04, 187, 211/190, 119.003, 134.153, 87.01, 71.01

See application file for complete search history.

(57) **CLAIM**

The ornamental design for a mount for electronic display, as shown and described.

DESCRIPTION

FIG. 1 is a front perspective view of a mount for electronic display according to a first embodiment of the invention;

FIG. 2 is a front elevation view of the mount for electronic display depicted in FIG. 1;

FIG. 3 is a left side elevation view of the mount for electronic display depicted in FIG. 1;

FIG. 4 is a right side elevation view of the mount for electronic display depicted in FIG. 1;

FIG. 5 is a top plan view of the mount for electronic display depicted in FIG. 1; and,

FIG. 6 is a bottom plan view of the mount for electronic display depicted in FIG. 1.

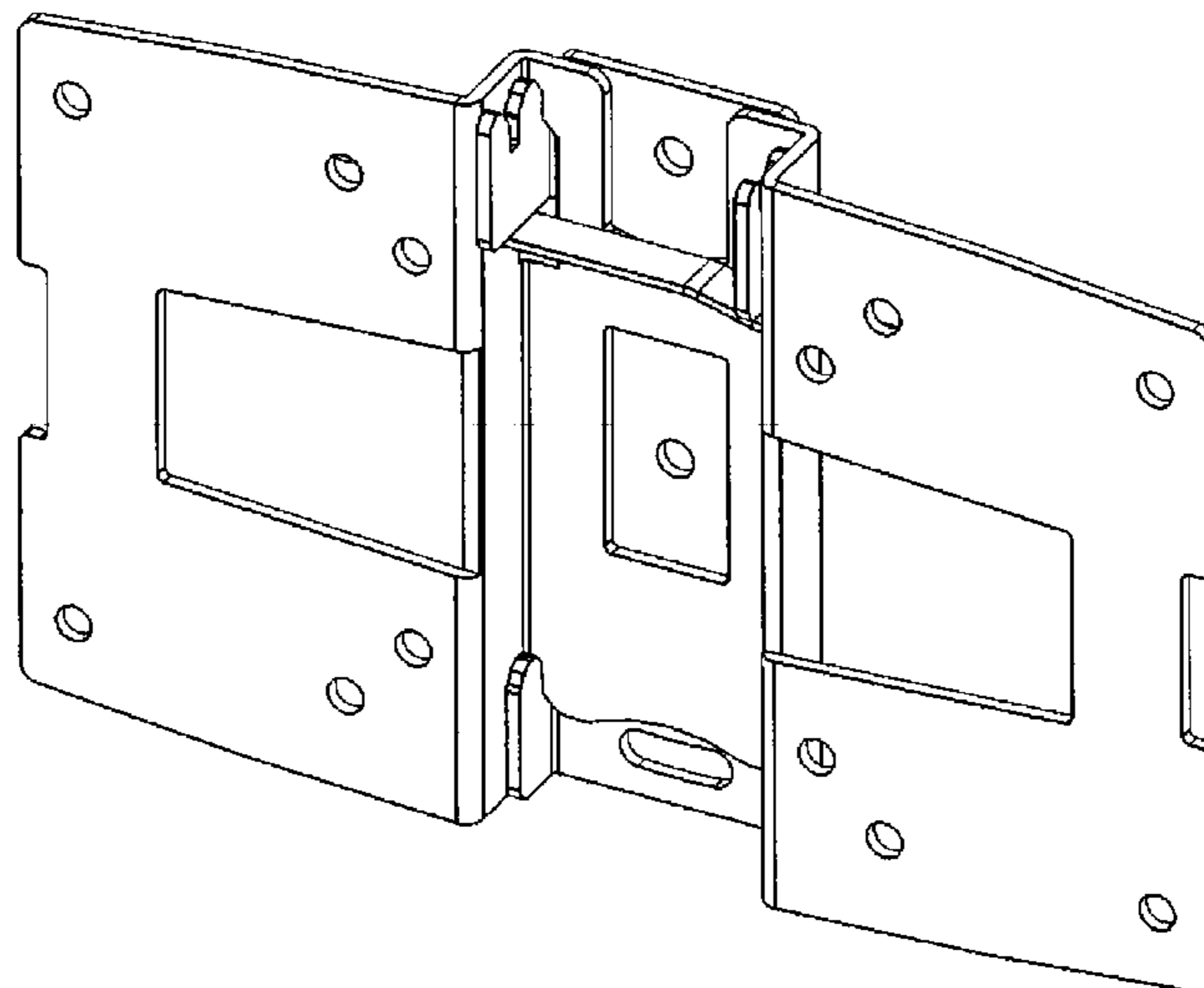
The backside of the mount for electronic display is not claimed, and therefore is not shown.

(56) **References Cited**

U.S. PATENT DOCUMENTS

D528,901 S * 9/2006 David D8/373
7,152,836 B2 12/2006 Pfister et al.
7,178,775 B2 2/2007 Pfister et al.
D538,140 S * 3/2007 Ly Hau et al. D8/373
D538,141 S * 3/2007 Stenhouse et al. D8/373
D538,632 S * 3/2007 Ly Hau et al. D8/363
D560,221 S * 1/2008 Hoglan et al. D14/451
D560,671 S * 1/2008 Muday et al. D14/451
D560,677 S * 1/2008 Wohlford et al. D14/451
D565,054 S * 3/2008 Anderson et al. D14/452

1 Claim, 2 Drawing Sheets



U.S. PATENT DOCUMENTS

2007/0090250 A1 4/2007 O'Keene
 2007/0176067 A1 8/2007 Monaco
 2007/0235614 A1 10/2007 O'Keene et al.
 2009/0184221 A1* 7/2009 Sculler 248/221.11

OTHER PUBLICATIONS

Peerless Technical Data Sheet, dated Mar. 21, 2000, 1 Page.
 Peerless Installation and Assembly, dated Dec. 6, 2001, 2 Pages.
 Peerless Installation and Assembly, Plasma Adapter bracket for Zenith H40DVODP dated Jun. 22, 2001, 1 Page.
 Peerless Technical Data Sheet, dated Oct. 8, 2002, 2 Pages.
 Peerless Technical Data Sheet—Universal single stud tilting wall mount, dated May 19, 2003, 6 Pages.
 Peerless Installation and Assembly—Solid•Point Flat Wall Mount for Zenith Plasma Model DPDP60W, dated Feb. 21, 2005, 1 Page.
 Peerless Installation and Assembly—Plasma Adapter bracket for Sony PFM-50C1 Plasma Monitor, pp. 2, dated Sep. 26, 2002.
 Peerless Installation and Assembly—Plasma Adapter Bracket for 61" NEC PlasmaSync 61MP1 & 61MX2 Plasma Screens, dated Nov. 10, 2003, 3 Pages.
 Peerless Installation and Assembly—Secure Wall Mount for Philips, Aug. 12, 1998, 4 Pages.
 Brochure Entitled: Panel Display Pivot Mount for Model PDM 625, 2 pgs. no date available.
 Brochure Entitled: Panel Display Pivot Mount for Model Nos. PDM 110 and PDM 120, 2 pgs. no date available.
 Plasma TV Wall Mount Installation Manual entitled: *Wall Mount Kit for Plasma TV Screens*, Rev 1.0, dated Nov. 2003, pp. 1-12.
 Brochure Entitled: Peerless® Flat Panel SmartMount™ Universal Tilt Wall Mount for 32" to 50" Plasma and LCD Flat Panel Screens, 2 pgs. . © 2006.

Brochure Entitled: Peerless® Flat Panel SmartMount™ Universal Tilt Wall Mount for 61" to 102" Plasma and LCD Flat Panel Screens, 2 pgs. . © 2006.

Brochure Entitled: Peerless® Flat Panel SmartMount™ Universal Tilt Wall Mount for 42" to 71" Plasma and LCD Flat Panel Screens, 2 pgs. . © 2006.

Brochure Entitled: Peerless® Flat Panel SmartMount™ Universal Tilt Wall Mount for 32" to 60" Plasma and LCD Flat Panel Screens, 2 pgs. . © 2006.

Brochure Entitled: Peerless® Flat Panel SmartMount™ Universal Tilt Wall Mount for 23" to 46" LCD Flat Panel Screens, 2 pgs. . © 2006.

Brochure Entitled: Peerless® Flat Panel SmartMount™ Universal Flat Wall Mount for 61" to 102" Plasma and LCD Flat Panel Screens, 2 pgs. . © 2006.

Brochure Entitled: Peerless® Flat Panel SmartMount™ Universal Flat Wall Mount for 42" to 71" Plasma and LCD Flat Panel Screens, 2 pgs. . © 2006.

Brochure Entitled: Peerless® Flat Panel SmartMount™ Universal Flat Wall Mount for 32" to 60" Plasma and LCD Flat Panel Screens, 2 pgs. . © 2006.

Brochure Entitled: Peerless® Flat Panel SmartMount™ Universal Flat Wall Mount for 23" to 46" LCD Flat Panel Screens, 2 pgs. . © 2006.

Bochure Entitled: Peerless® Solid Solutions—Solid Support™ Installation and Assembly: SmartMount™ Universal Tilt Wall Mount for 22"—49" Screens, pp. 8, issued Mar. 31, 2005.

ViewSonic Mount, pp. 1. circa 2005.

Hitachi Mount, pp. 1. circa 2005.

* cited by examiner

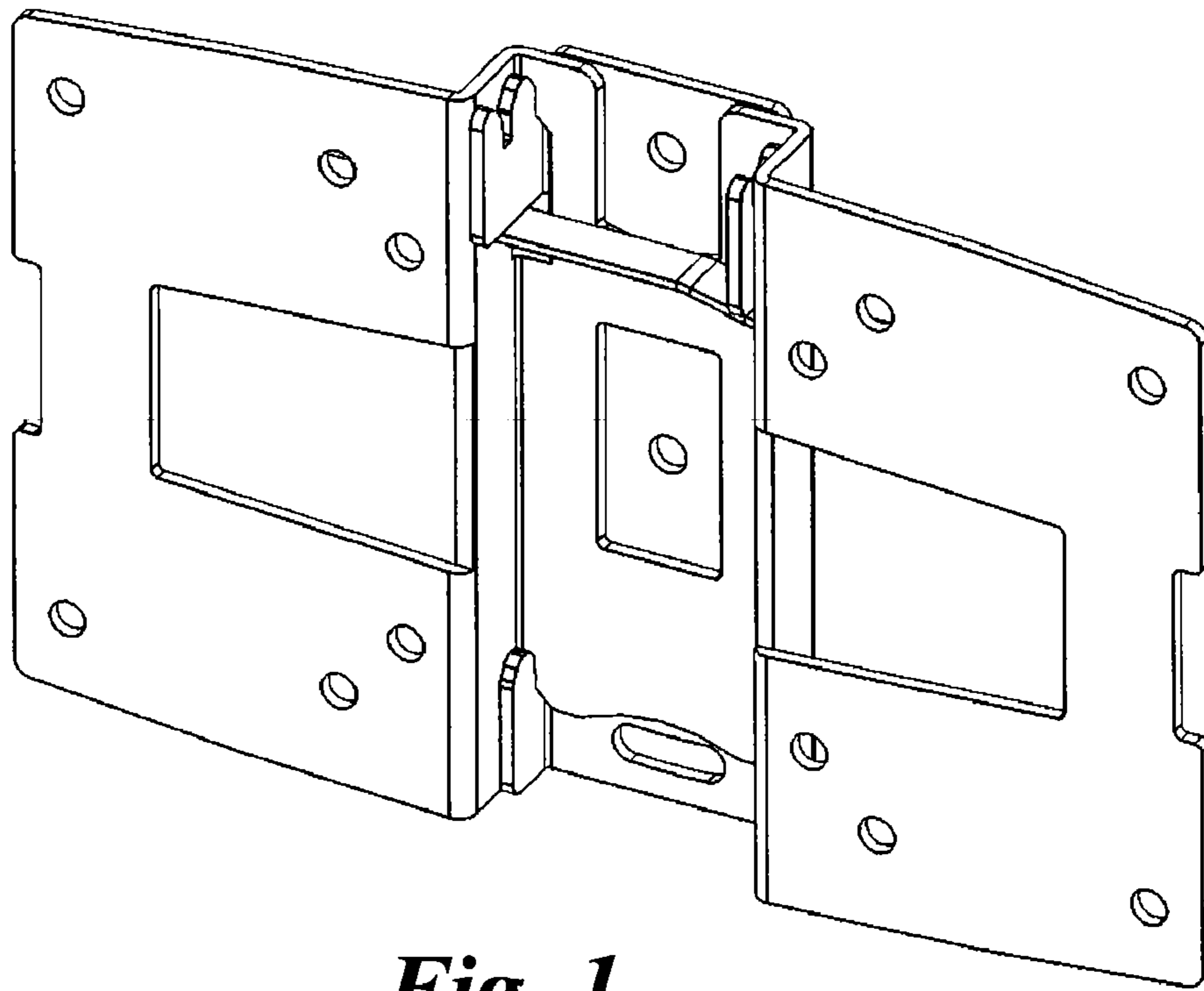


Fig. 1.

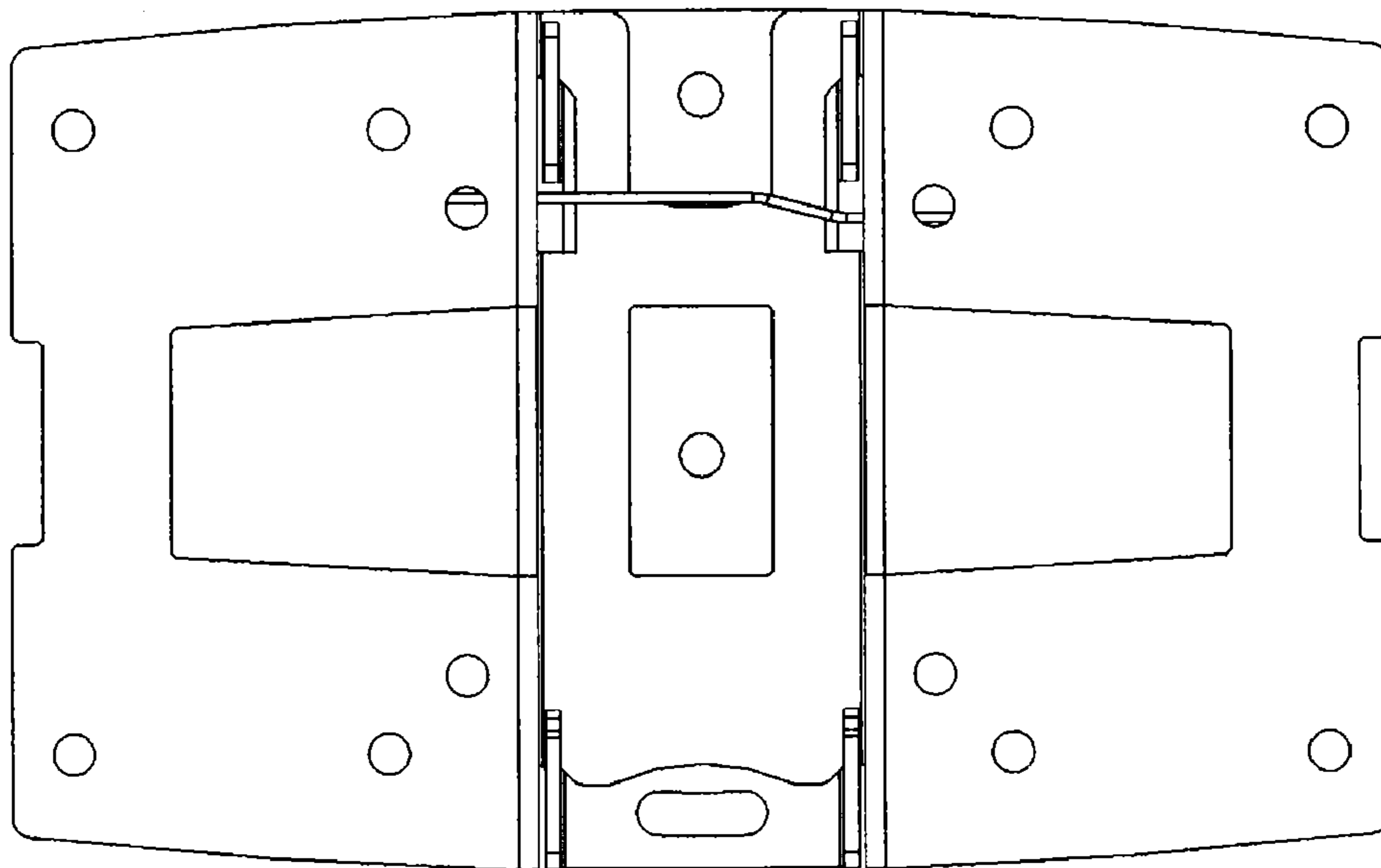


Fig. 2.

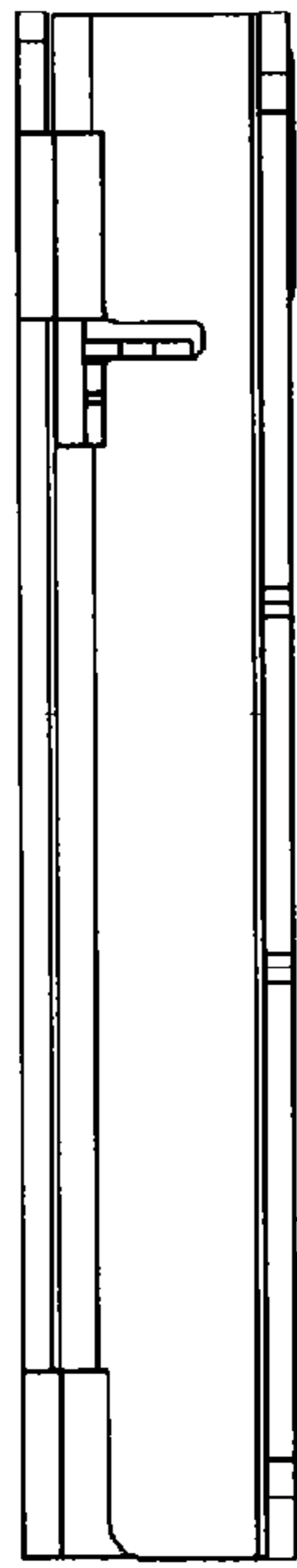


Fig. 3.

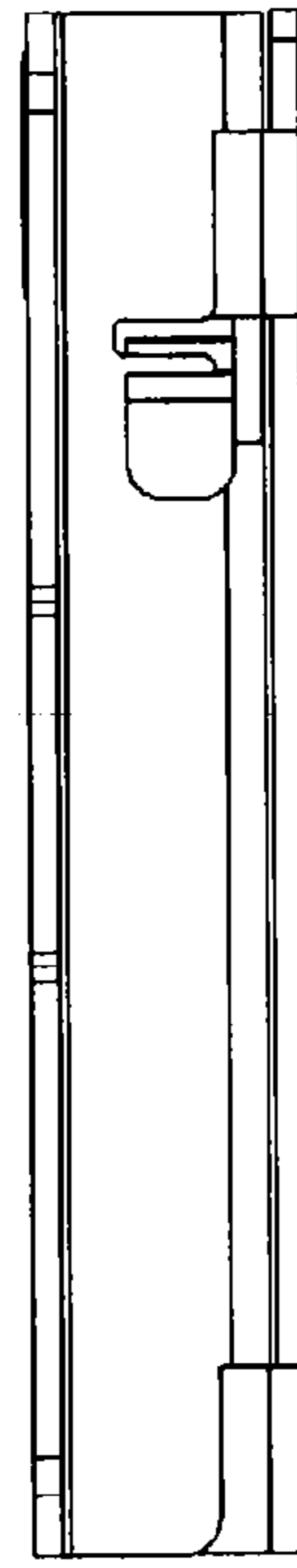


Fig. 4.

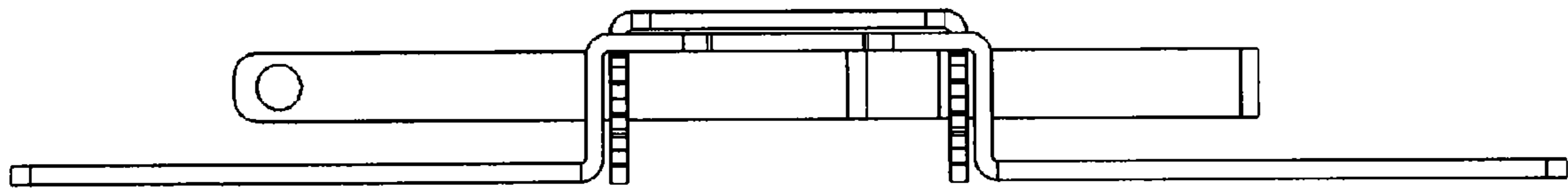


Fig. 5.

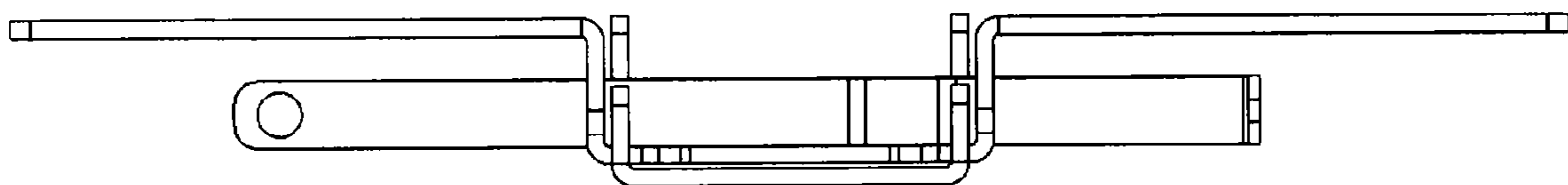


Fig. 6.