



US00D621389S

(12) **United States Design Patent**
Nagayama et al.

(10) **Patent No.:** **US D621,389 S**

(45) **Date of Patent:** **** Aug. 10, 2010**

(54) **EARPHONE**

(75) Inventors: **Yuka Nagayama**, Tokyo (JP); **Hisaya Hagiwara**, Kanagawa (JP)

(73) Assignee: **Kabushiki Kaisha Audio-Technica**, Tokyo (JP)

(**) Term: **14 Years**

(21) Appl. No.: **29/343,759**

(22) Filed: **Sep. 18, 2009**

(30) **Foreign Application Priority Data**

Jun. 5, 2009 (JP) 2009-012702

(51) **LOC (9) Cl.** **14-01**

(52) **U.S. Cl.** **D14/223**

(58) **Field of Classification Search** D14/205,
D14/206, 223, 188, 192; 181/129, 130; 379/430,
379/431, 420.01, 420.02, 420.03, 420.04;
380/380, 381, 373, 370; 455/569.1, 575.1

See application file for complete search history.

(56) **References Cited**

U.S. PATENT DOCUMENTS

1,406,510	A	*	2/1922	Weber	381/380
2,545,731	A	*	3/1951	French	181/135
D431,553	S	*	10/2000	Suzuki	D14/223
D512,982	S	*	12/2005	Rodarte	D14/205
D519,107	S	*	4/2006	Yang	D14/223
D539,268	S	*	3/2007	Suzuki	D14/206
D555,152	S	*	11/2007	Wang	D14/223
D564,495	S	*	3/2008	Sasaki	D14/205
D574,361	S	*	8/2008	Sasaki	D14/205
D576,154	S	*	9/2008	Ledbetter et al.	D14/223
D579,444	S	*	10/2008	Ewert et al.	D14/223

D586,332	S	*	2/2009	Ewert et al.	D14/223
D587,681	S	*	3/2009	Yanai	D14/205
D587,685	S	*	3/2009	Densho	D14/206
D589,493	S	*	3/2009	Densho	D14/206
D591,721	S	*	5/2009	Densho	D14/205
D591,722	S	*	5/2009	Densho	D14/205
7,551,748	B2	*	6/2009	Kamo et al.	381/380
D599,778	S	*	9/2009	Ando	D14/205
D602,905	S	*	10/2009	Morisawa	D14/205
D605,182	S	*	12/2009	Fagnot	D14/223
D605,636	S	*	12/2009	Yang	D14/223
D606,971	S	*	12/2009	Christopher et al.	D14/205

* cited by examiner

Primary Examiner—Paula Greene

(74) *Attorney, Agent, or Firm*—Whitham Curtis Christofferson & Cook, PC

(57) **CLAIM**

We claim the ornamental design for the earphone, as shown and described.

DESCRIPTION

FIG. 1 is a perspective view of the earphone;

FIG. 2 is a front elevational view of the earphone;

FIG. 3 is a rear elevational view of the earphone;

FIG. 4 is a right side elevational view of the earphone;

FIG. 5 is a left side elevational view of the earphone;

FIG. 6 is a top plan view of the earphone;

FIG. 7 is a bottom plan view of the earphone; and,

FIG. 8 is a referential view showing a state in use of the earphone.

The broken lines form no part of the claimed design.

1 Claim, 8 Drawing Sheets

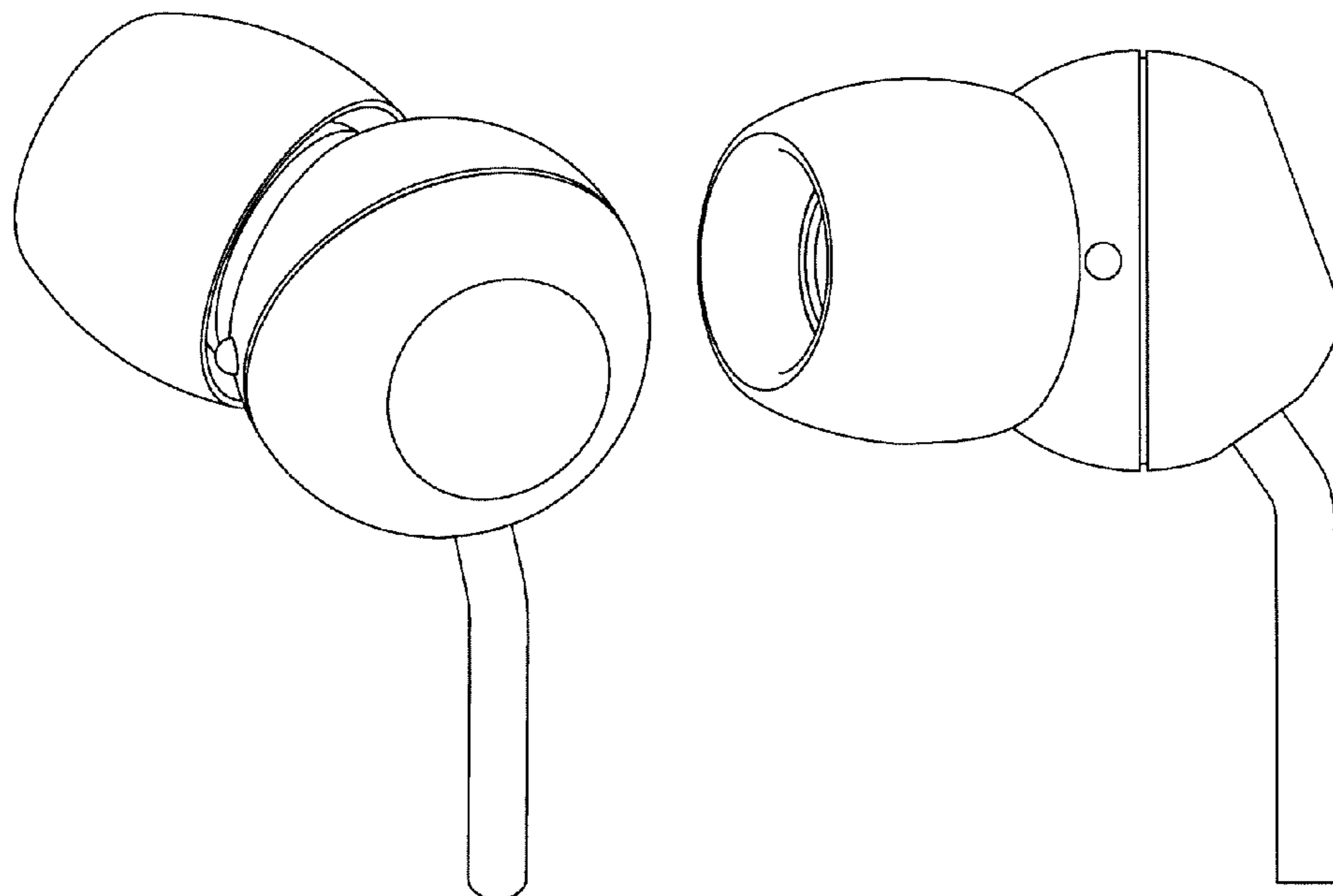


FIGURE 1

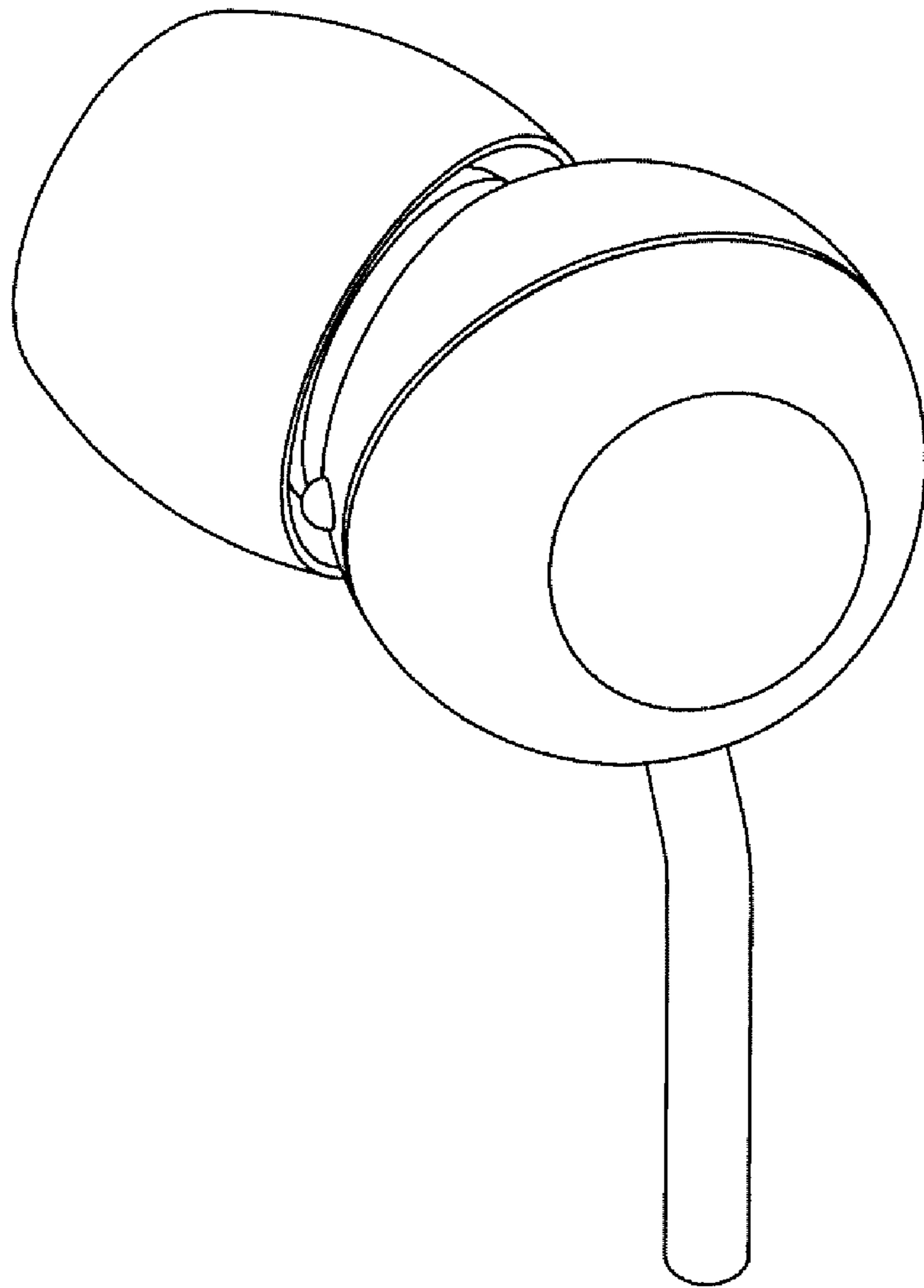


FIGURE 2

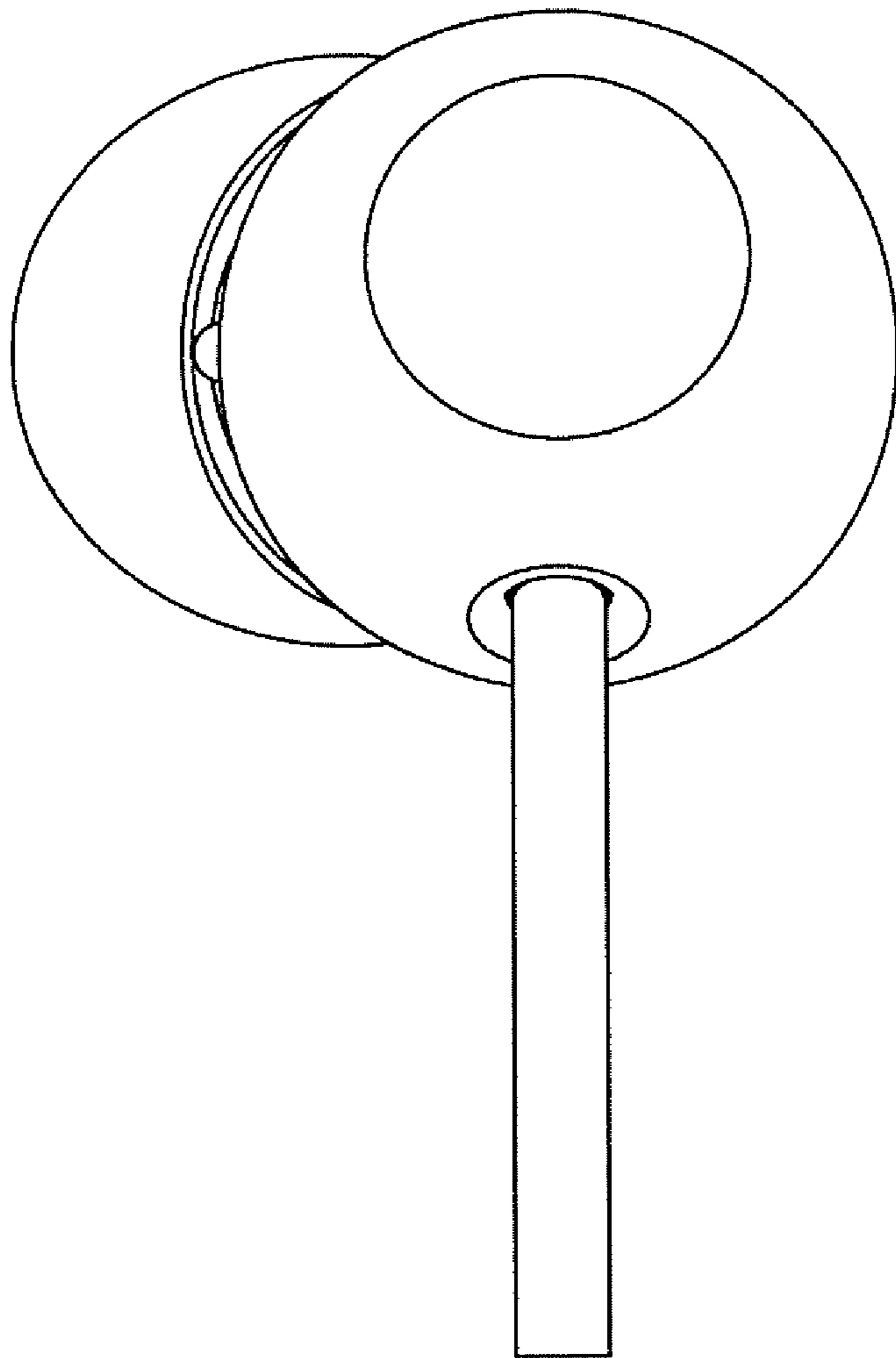


FIGURE 3

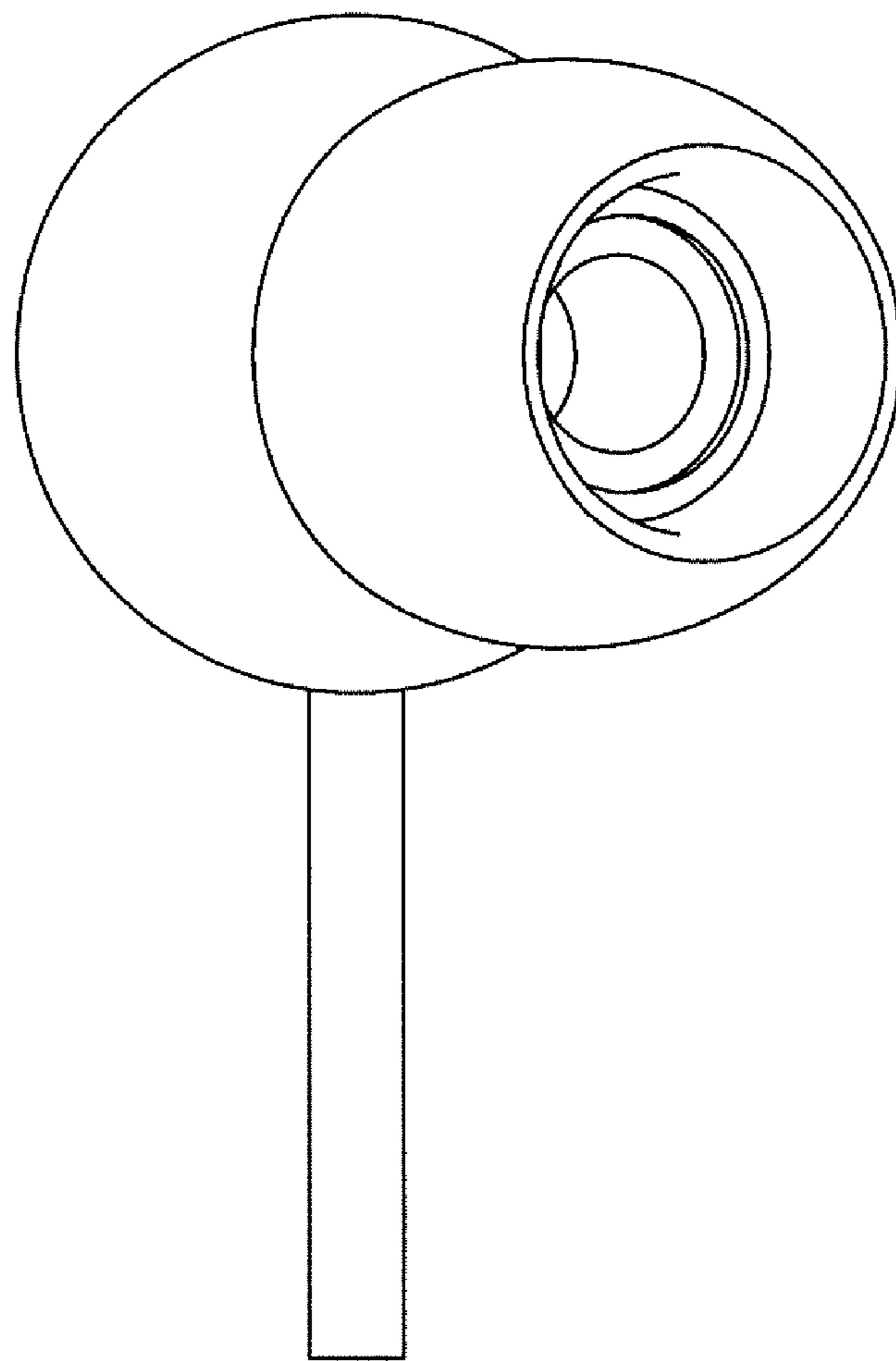


FIGURE 4

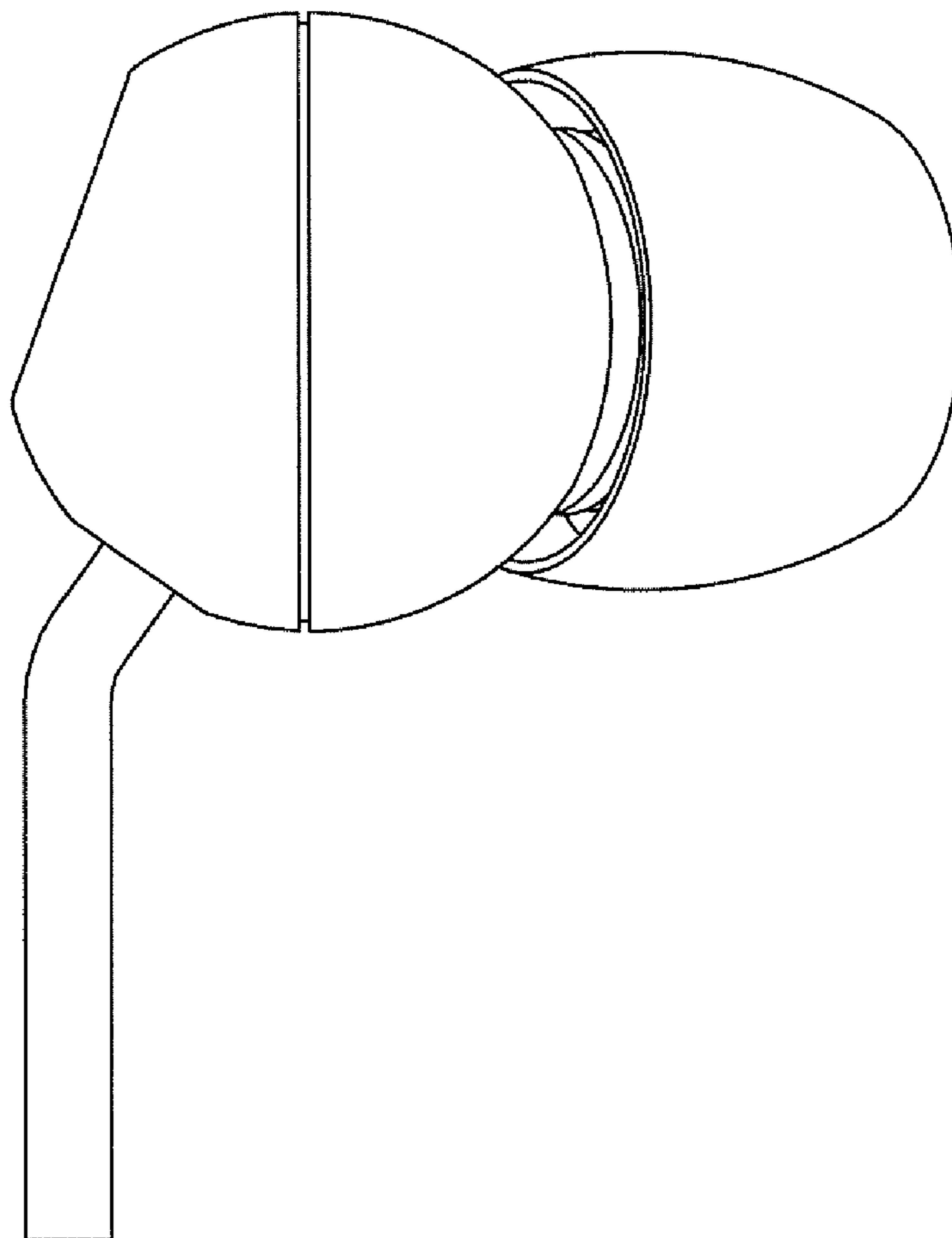


FIGURE 5

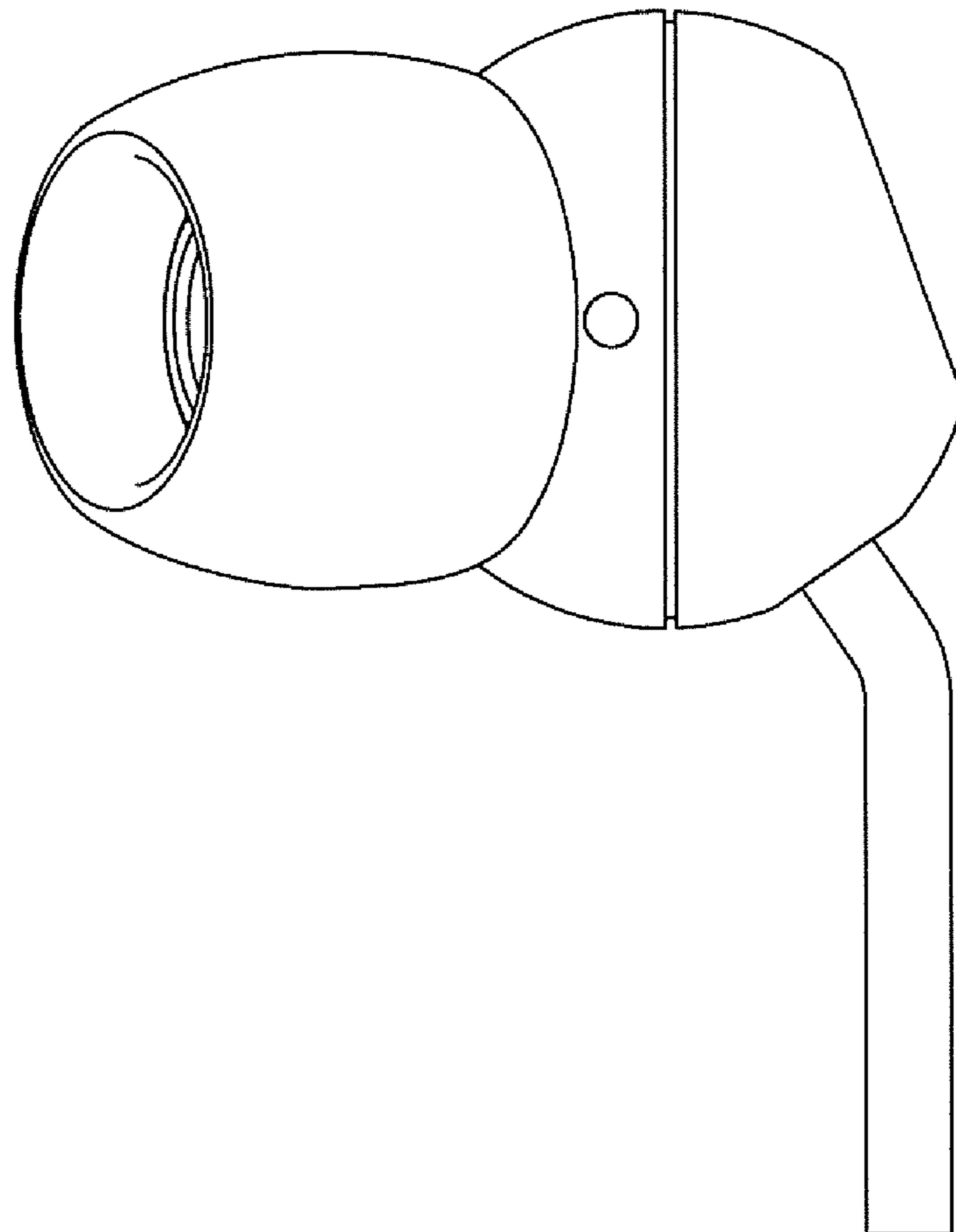


FIGURE 6

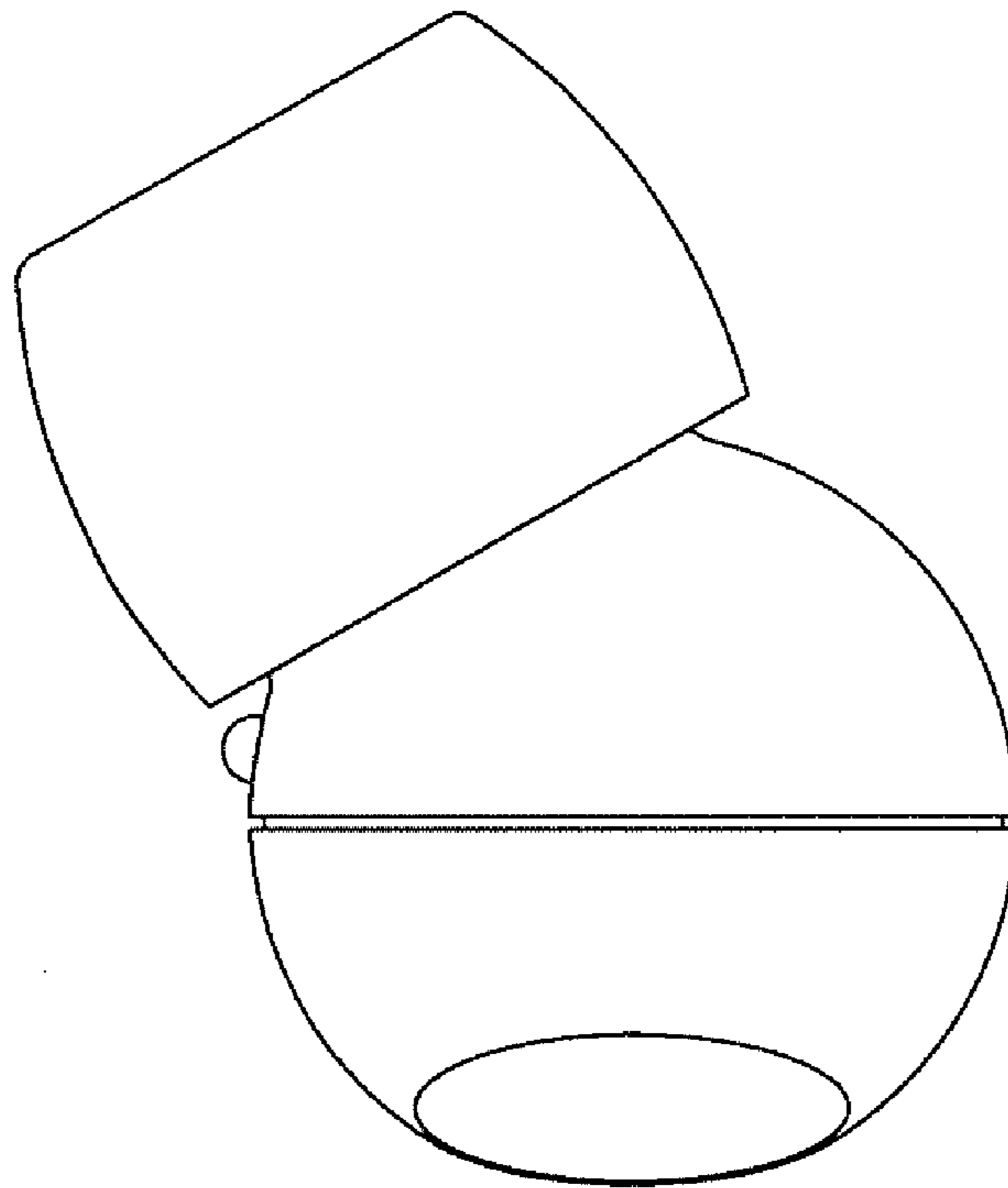


FIGURE 7

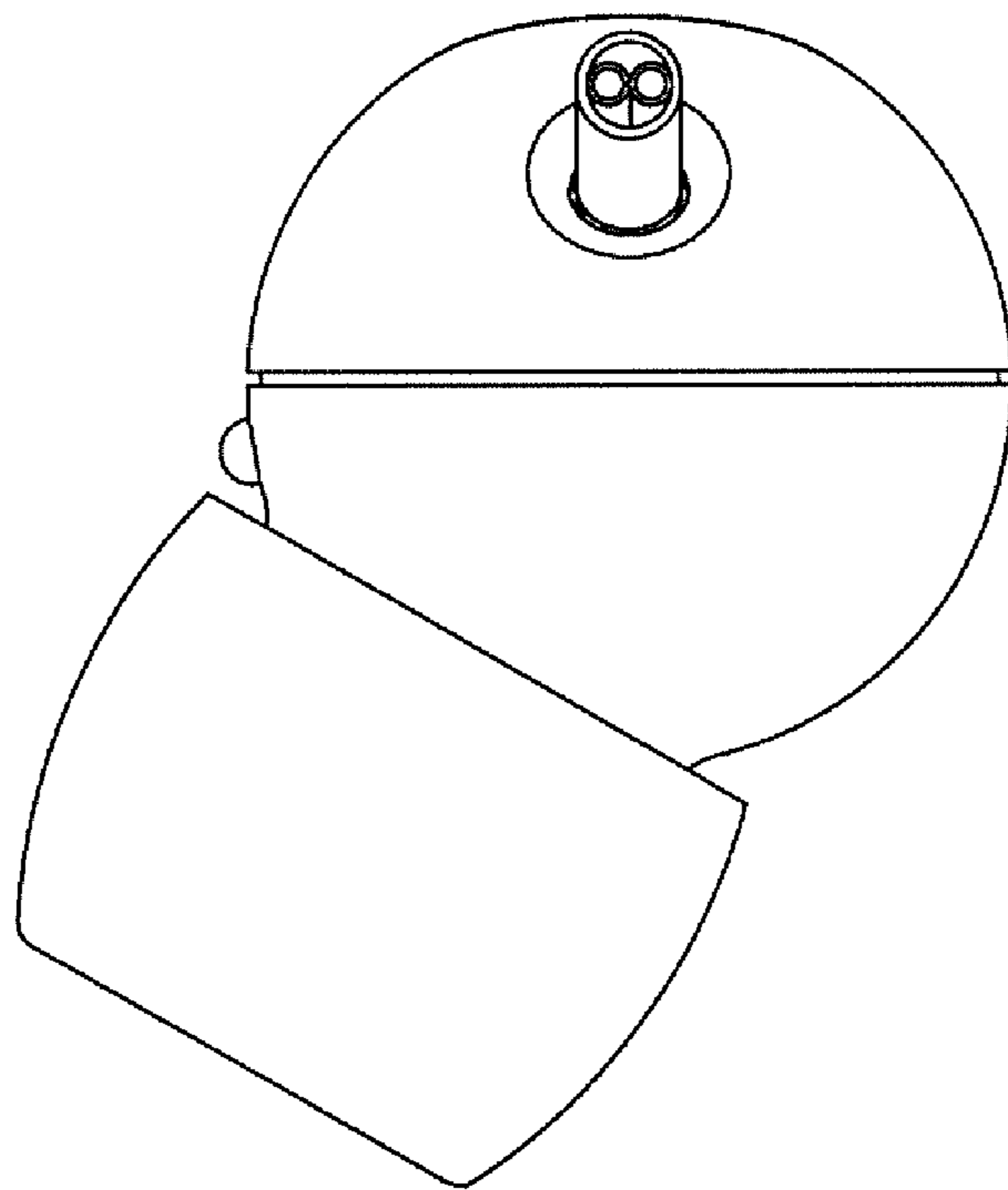


FIGURE 8

