



US00D621388S

(12) **United States Design Patent**
Koss et al.

(10) **Patent No.:** **US D621,388 S**

(45) **Date of Patent:** **** Aug. 10, 2010**

(54) **EARPHONE**

(75) Inventors: **Michael J. Koss**, Milwaukee, WI (US);
Jerry O’Leary, Chicago, IL (US); **Iain Roberts**,
Chicago, IL (US); **Martin Thaler**, Chicago, IL (US);
George Aye, Chicago, IL (US)

(73) Assignee: **Koss Corporation**, Milwaukee, WI (US)

(**) Term: **14 Years**

(21) Appl. No.: **29/334,104**

(22) Filed: **Mar. 20, 2009**

(51) **LOC (9) Cl.** **14-01**

(52) **U.S. Cl.** **D14/223**

(58) **Field of Classification Search** D14/205,
D14/206, 223; 181/129, 130; 381/380, 381;
379/430, 431, 420.01, 420.02, 420.03, 420.04;
D29/112; 128/866; D8/107; D5/1
See application file for complete search history.

(56) **References Cited**

U.S. PATENT DOCUMENTS

3,751,608 A 8/1973 Weingartner

(Continued)

FOREIGN PATENT DOCUMENTS

EP 1032243 A2 8/2000
WO WO 2008/086901 A1 7/2008

OTHER PUBLICATIONS

“Screw-to-Fit Koss Earbuds Fill Up Your Head-Holes,” by Dan Nosowitz on Jan. 10, 2009; URL: <http://i.gizmodo.com/5128196/screw-to-fit-koss-earbuds-fill-up-your-h...>, accessed Jan. 19, 2009 (1 page).

(Continued)

Primary Examiner—Paula Greene

(74) *Attorney, Agent, or Firm*—K&L Gates LLP

(57) **CLAIM**

The ornamental design for an earphone, as shown and described.

DESCRIPTION

FIG. 1 is a left perspective view of an earphone showing our new design;

FIG. 2 is a front view thereof;

FIG. 3 is a rear view thereof;

FIG. 4 is a left side view thereof, with the right side being a mirror image;

FIG. 5 is a top view thereof; and

FIG. 6 is a bottom view thereof.

FIG. 7 is a left perspective view of a second embodiment of an earphone showing our new design;

FIG. 8 is a front view thereof;

FIG. 9 is a rear view thereof;

FIG. 10 is a left side view thereof, with the right side being a mirror image;

FIG. 11 is a top view thereof; and

FIG. 12 is a bottom view thereof.

FIG. 13 is a left perspective view of a third embodiment of an earphone showing our new design;

FIG. 14 is a front view thereof;

FIG. 15 is a rear view thereof;

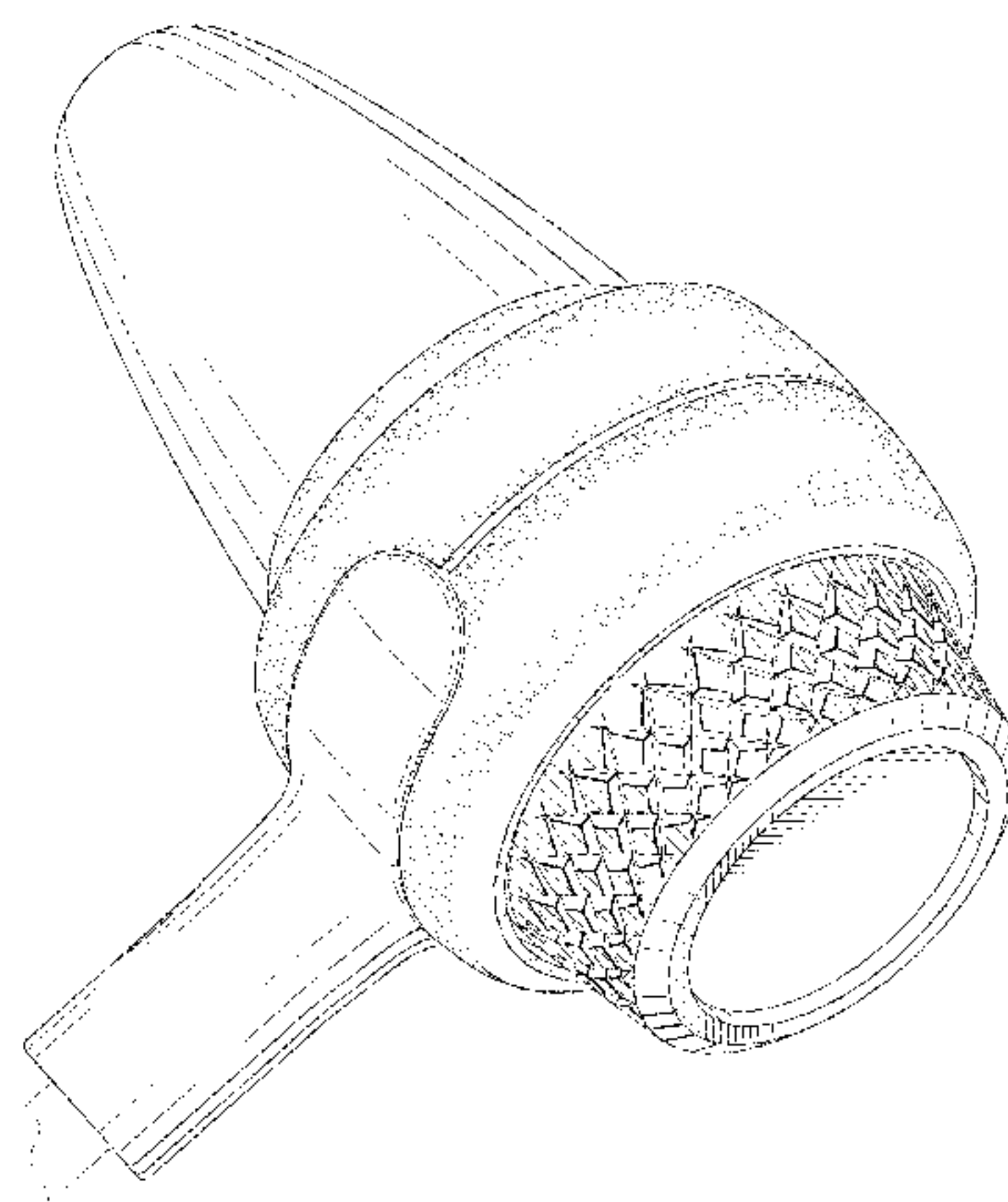
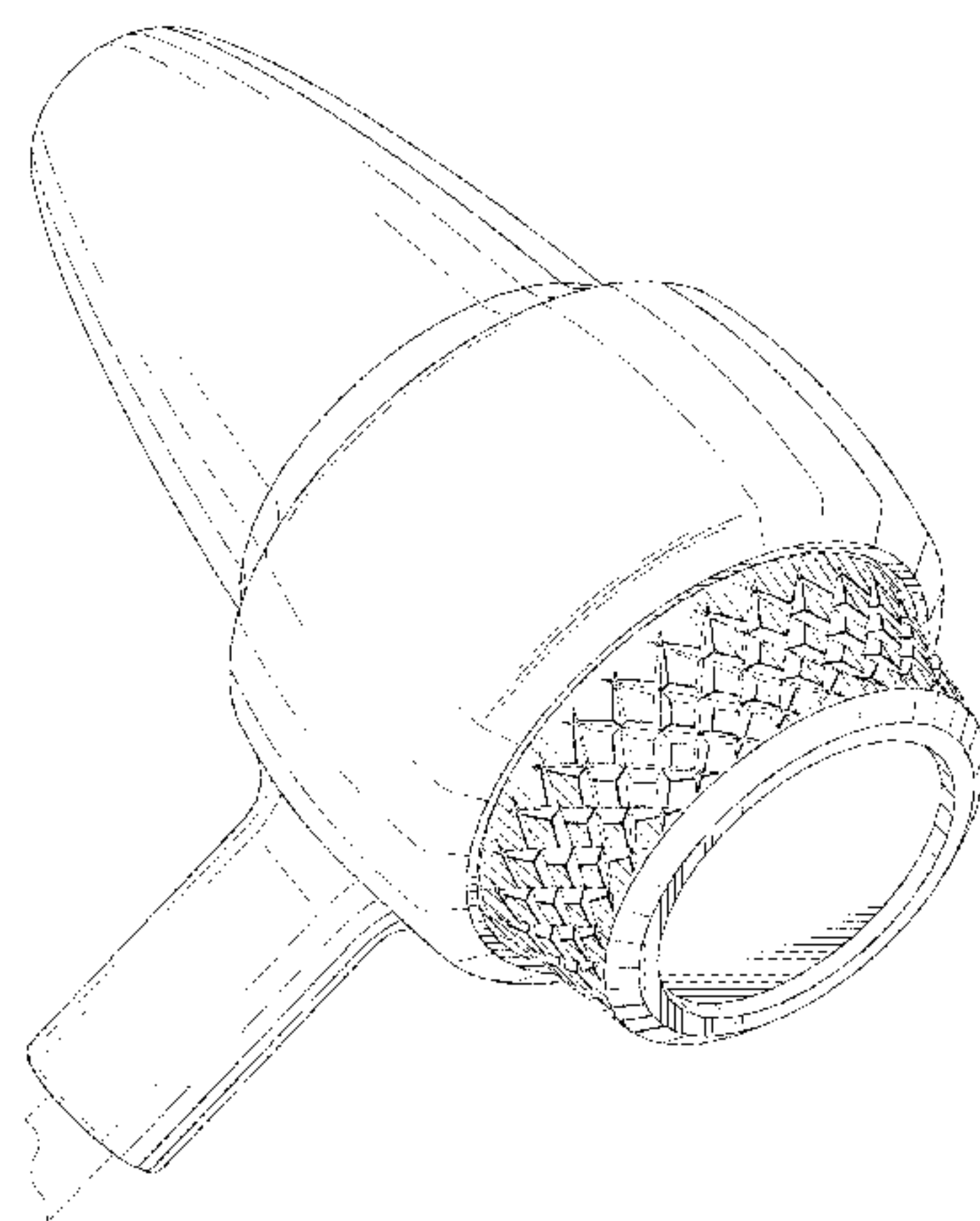
FIG. 16 is a left side view thereof, with the right side being a mirror image;

FIG. 17 is a top view thereof; and,

FIG. 18 is a bottom view thereof.

The broken lines are for purposes of illustration only and form no part of the claimed design. The differences in shading shown in FIGS. 7–12 represent a contrast of appearance and do not represent any particular color, texture, or material. FIGS. 13–18 are lined to represent the colors black, red, gray, and silver.

1 Claim, 18 Drawing Sheets



U.S. PATENT DOCUMENTS

4,314,553	A *	2/1982	Westerdal	128/864
5,873,580	A *	2/1999	Swenson et al.	279/49
D479,319	S *	9/2003	Falco	D24/106
D514,420	S *	2/2006	Xu	D8/107
D546,321	S *	7/2007	Kim	D14/223
D569,841	S *	5/2008	Chung et al.	D14/205
D572,703	S *	7/2008	Ledbetter et al.	D14/205
D575,269	S	8/2008	Ledbetter et al.	
D576,154	S	9/2008	Ledbetter et al.	
D578,507	S *	10/2008	Ando	D14/205
D579,741	S *	11/2008	Selby	D8/44
D582,389	S *	12/2008	Bose et al.	D14/205
D584,284	S *	1/2009	Carr et al.	D14/206
D590,371	S *	4/2009	Leinvuo	D14/205
D591,264	S *	4/2009	Hong et al.	D14/205
2005/0163337	A1	7/2005	Ruegg	
2008/0170738	A1	7/2008	Hope et al.	
2009/0110223	A1	4/2009	Semcken	

OTHER PUBLICATIONS

“Koss CC01 Earbuds Have Screw Adjustable Lug Comfort Built-In,” by Jay Garrett on Jan. 11, 2009; URL: [http://idleparis.com.uk/koss-](http://idleparis.com.uk/koss-cc01-earbuds-have-screw-adjustable-lug-comf...)

[cc01-earbuds-have-screw-adjustable-lug-comf...](http://idleparis.com.uk/koss-cc01-earbuds-have-screw-adjustable-lug-comf...), accessed Jan. 20, 2009 (8 pages).

“Koss CC_01 Adjustable Earbuds,” by Sheila Franklin on Jan. 12, 2009; URL: http://www.gearlive.com/news/article/q408-koss-cc_01-adjustable-earbuds/, accessed Jan. 19, 2009 (4 pages).

“Koss CC_01 Earbuds adjust to fit your ears,” by Ally on Jan. 11, 2009; URL: http://www.coolest-gadgets.com/20090111/koss-cc_01-earbuds-adjust-to..., accessed Jan. 19, 2009 (5 pages).

“Koss CC_01 Custom Fit Earphones,” posted Jan. 10, 2009; URL: http://www.ubergizmo.com/15/archives/2009/01/koss_cc_01_custom_fit..., accessed Jan. 19, 2009 (3 pages).

“Koss’ New Mechanized Earbuds fit Perfectly in the Biggest of Ears,” by Florin Tibu on Jan. 12, 2009; URL: http://news.softpedia.com/news/Koss-039-New-Mechanized-Earbuds_Fit..., accessed Jan. 19, 2009 (1 page).

“New Koss earbuds expand to match your Dumbo-size ears,” posted by Stewart Wolpin on Jan. 10, 2009; URL: http://dvice.com/archives/2009/01/new_koss_in-ear.php, accessed Jan. 19, 2009 (5 pages).

“New Koss earbuds screw-to-fit your ear holes,” posted in *Earbuds* by Conner Flynn on Jan. 11, 2009; URL: <http://www.slipperybrick.com/2009/01/new-koss-earbuds-screw-to-fit-y...>, accessed Jan. 19, 2009 (5 pages.).

* cited by examiner

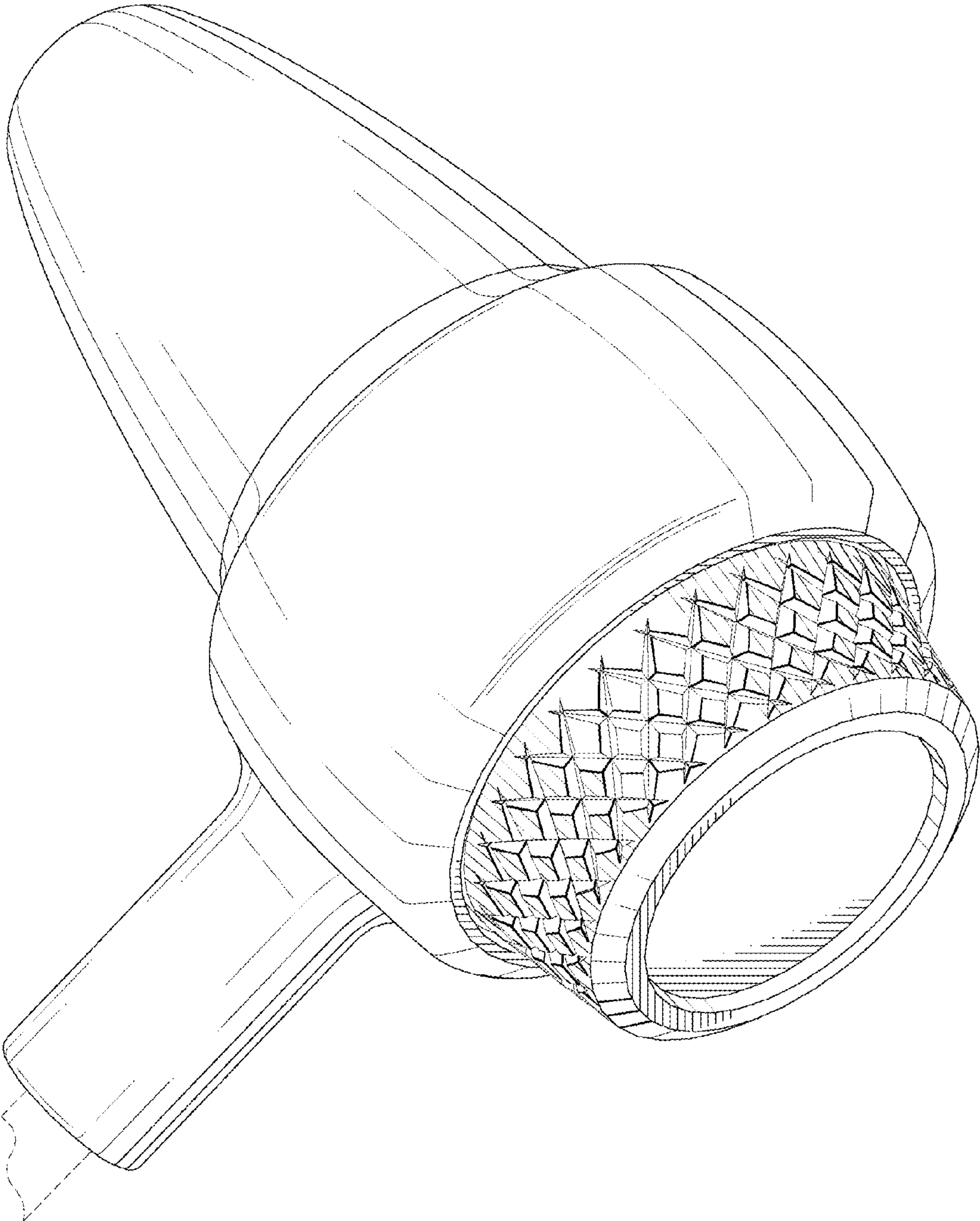


FIG. 1

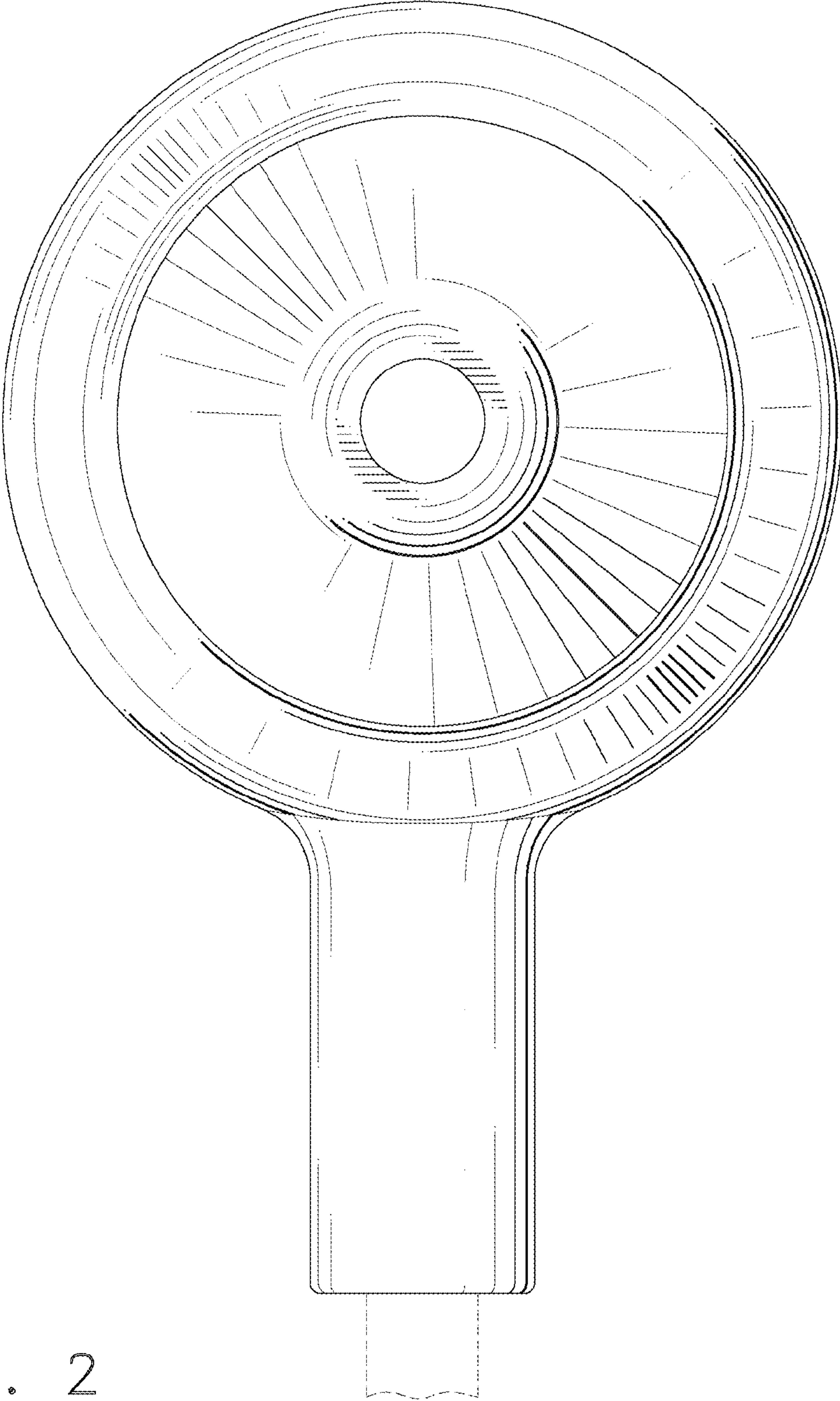


FIG. 2

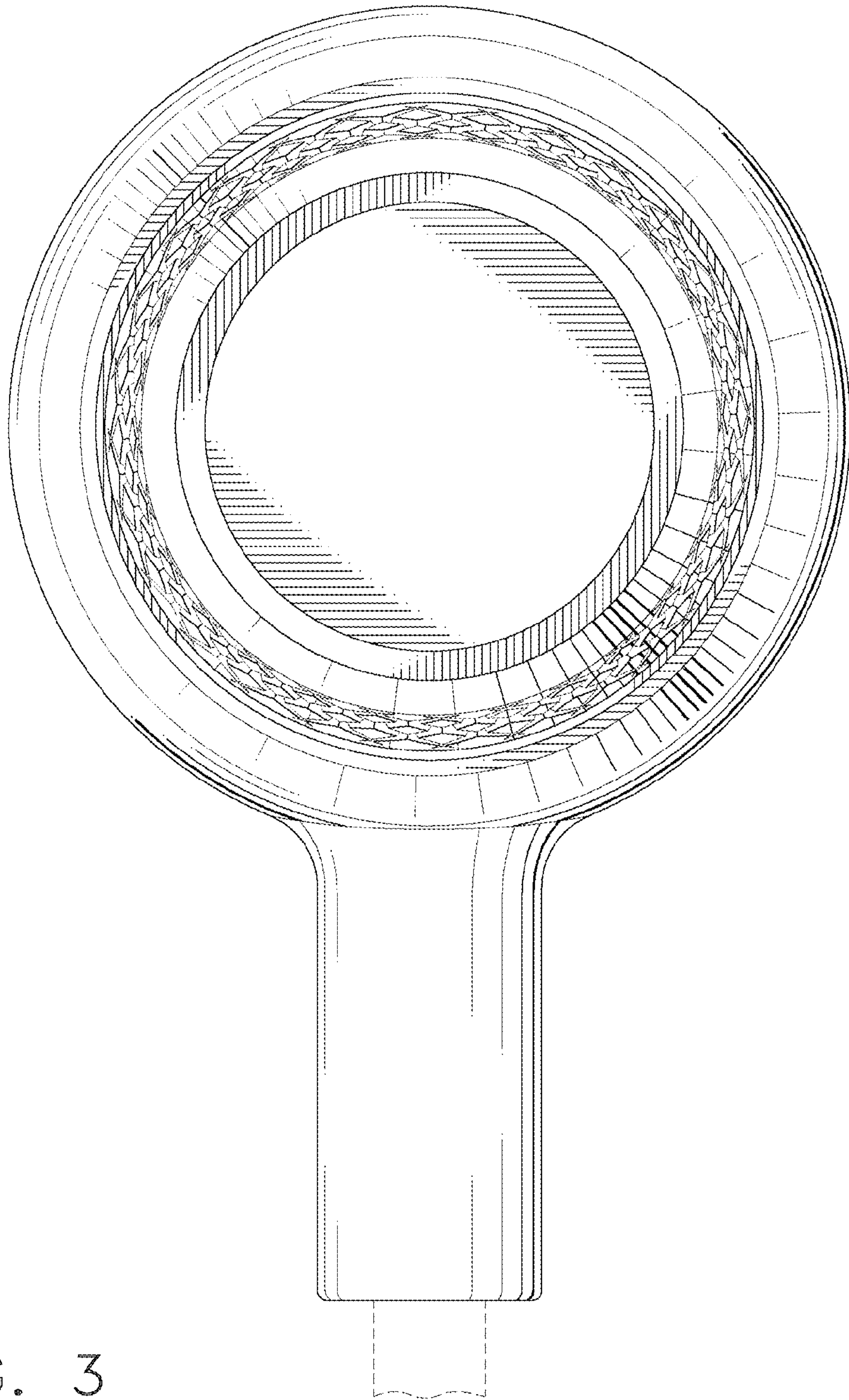


FIG. 3

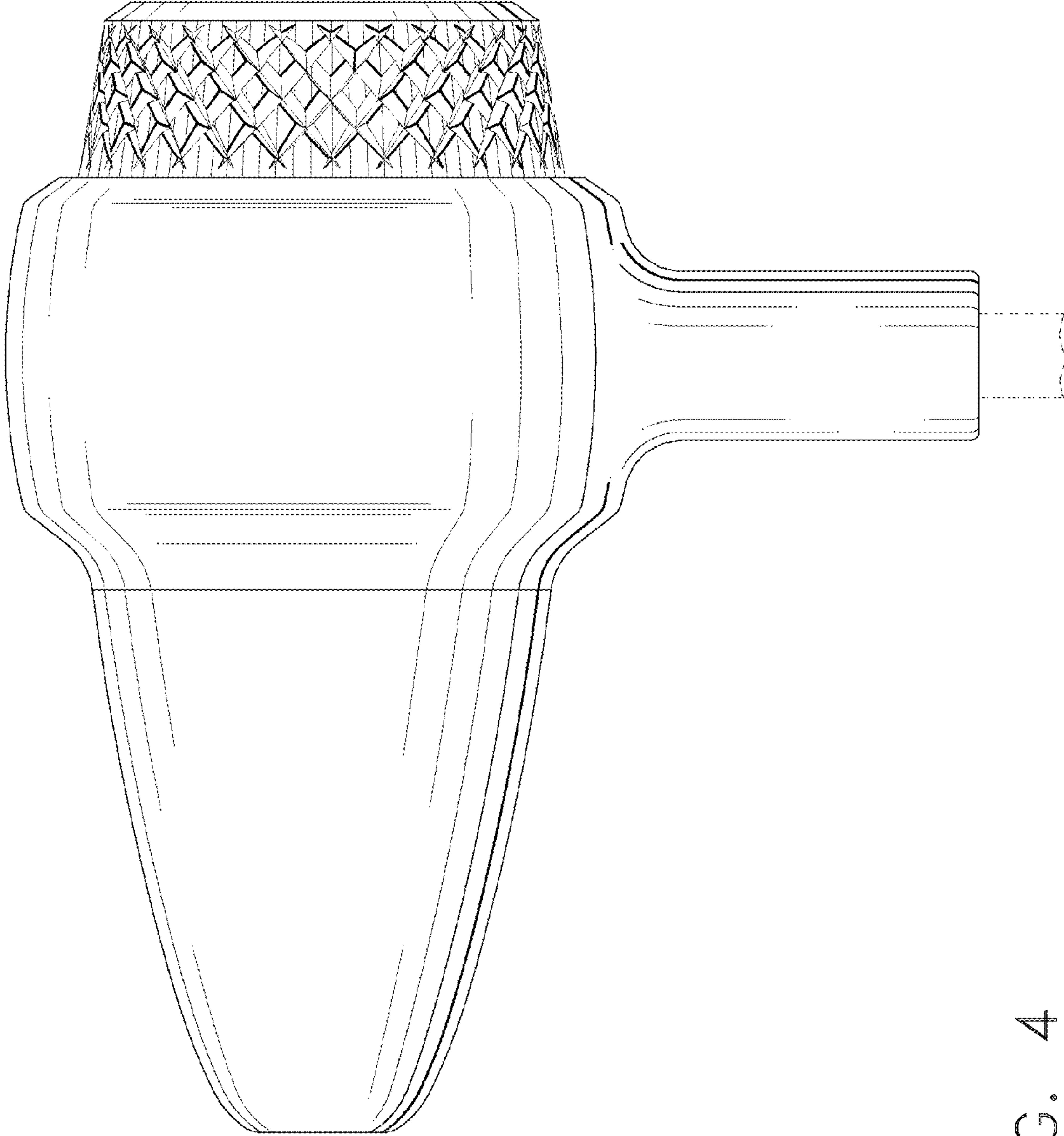


FIG. 4

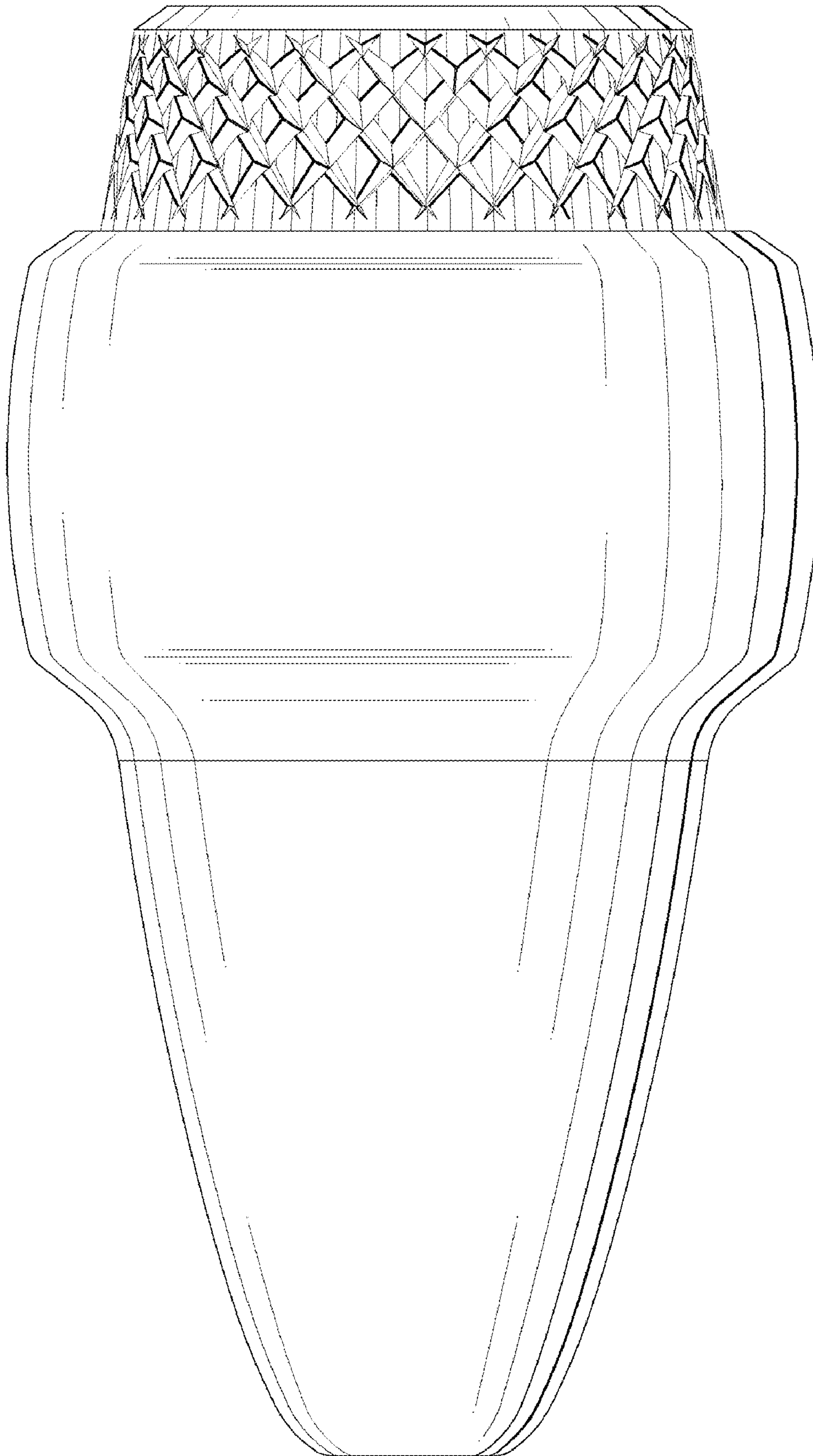


FIG. 5

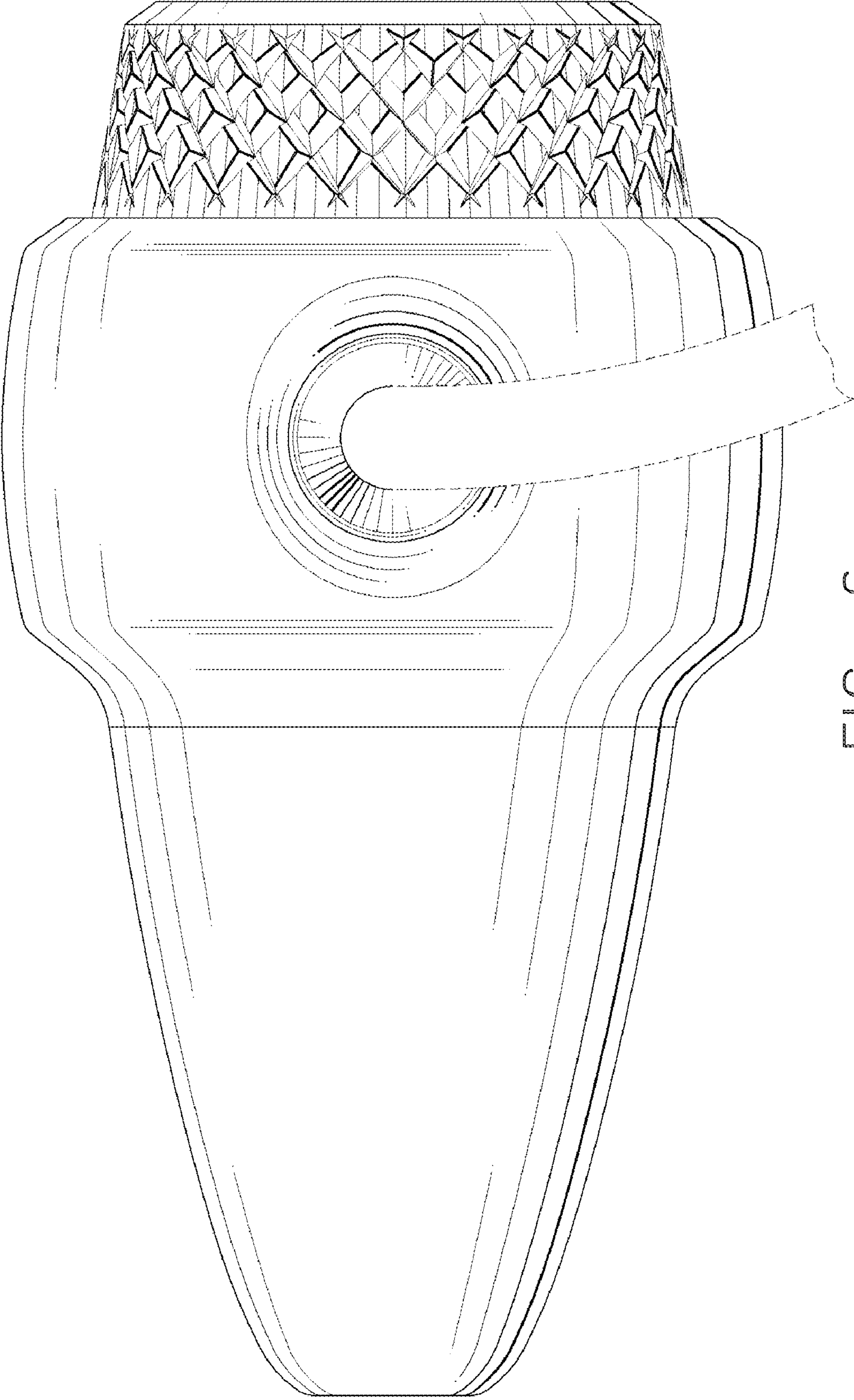


FIG. 6

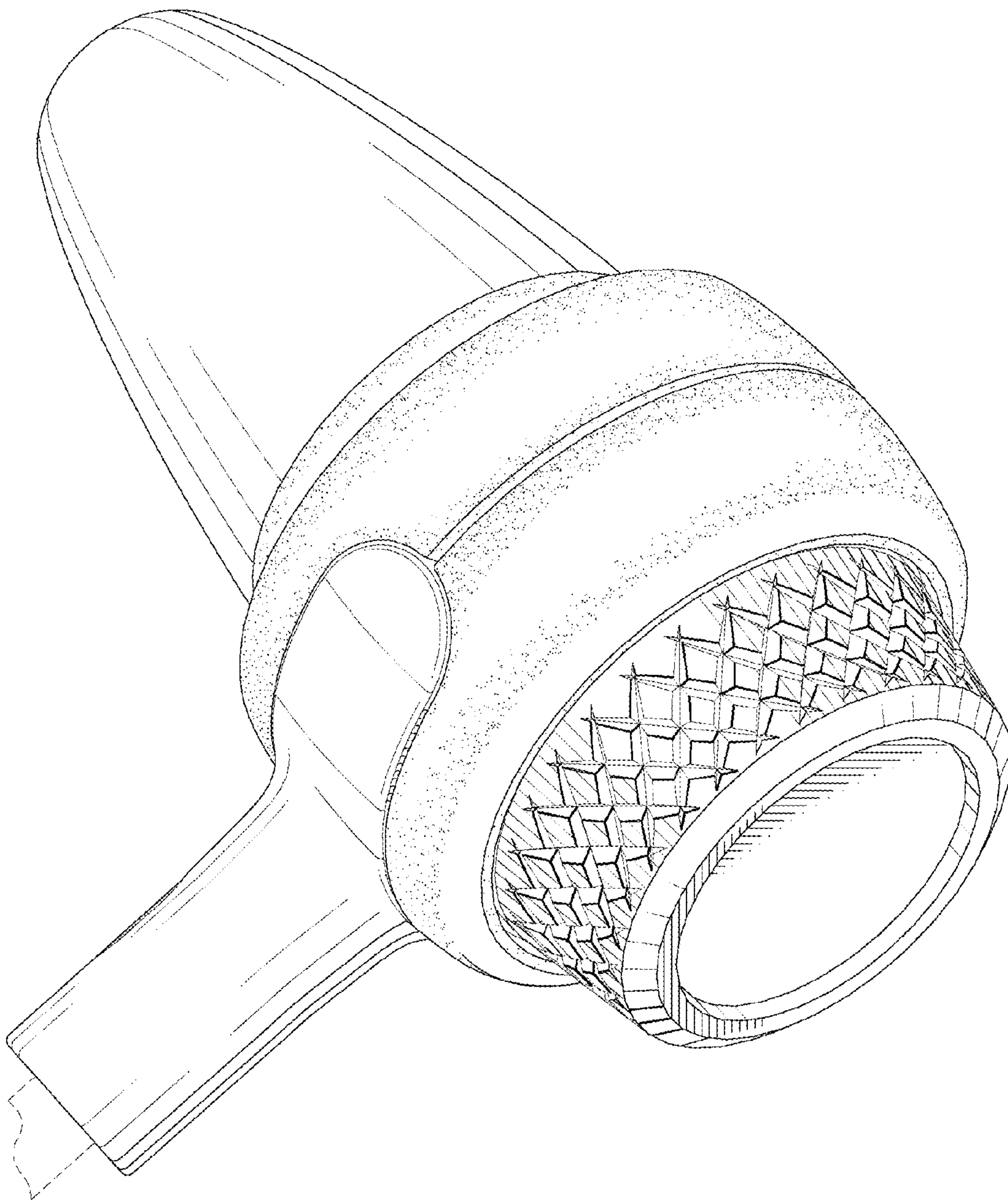


FIG. 7

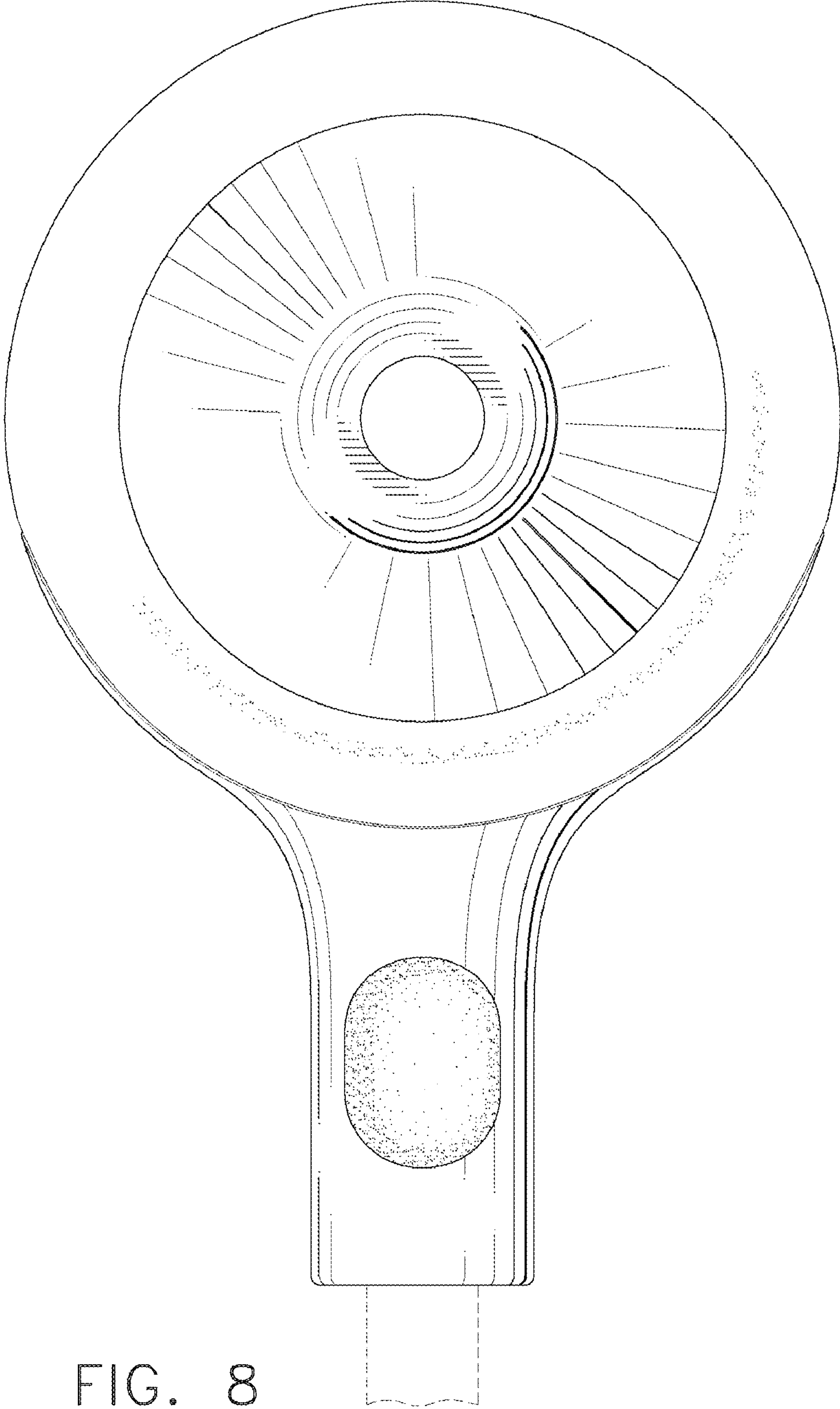


FIG. 8

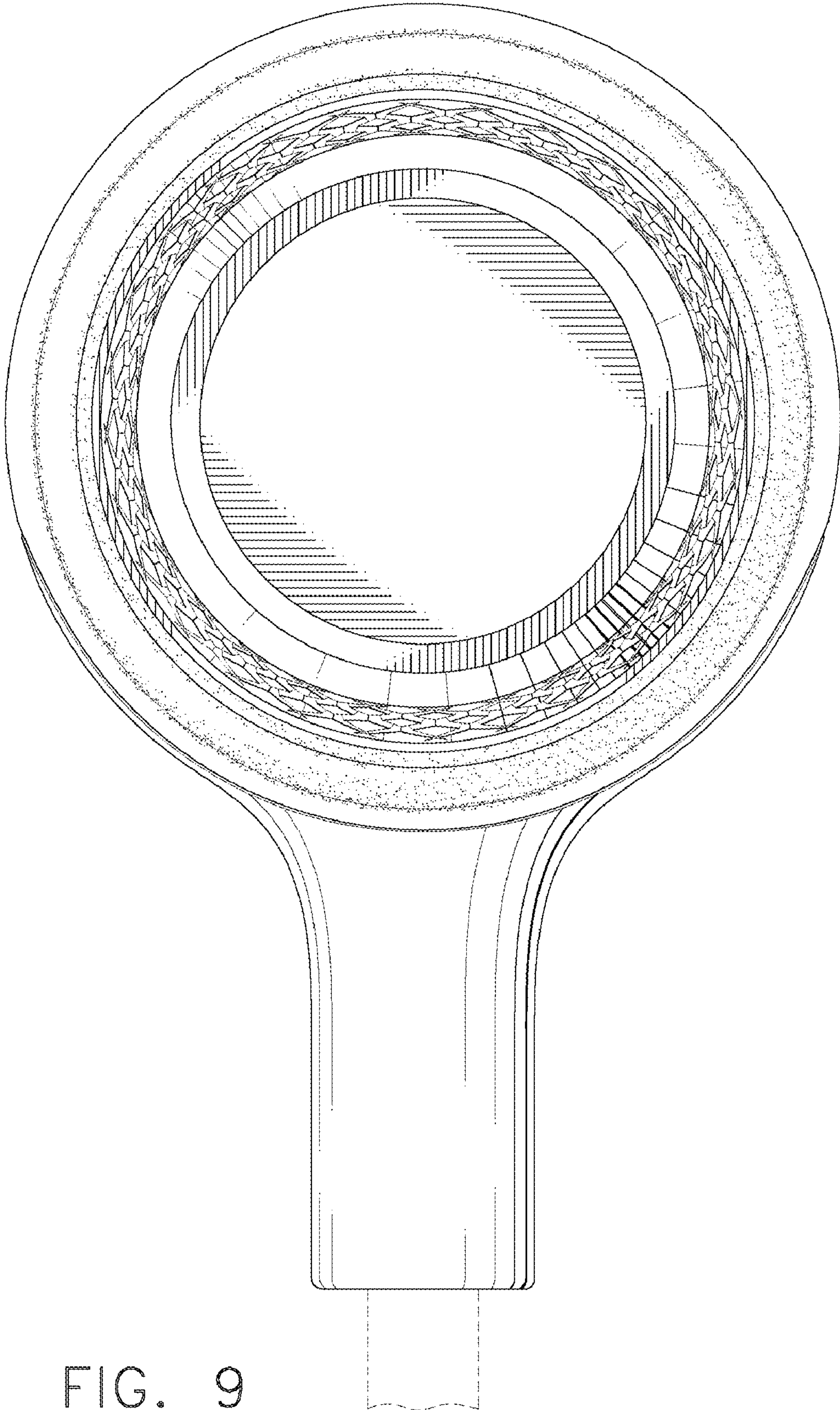


FIG. 9

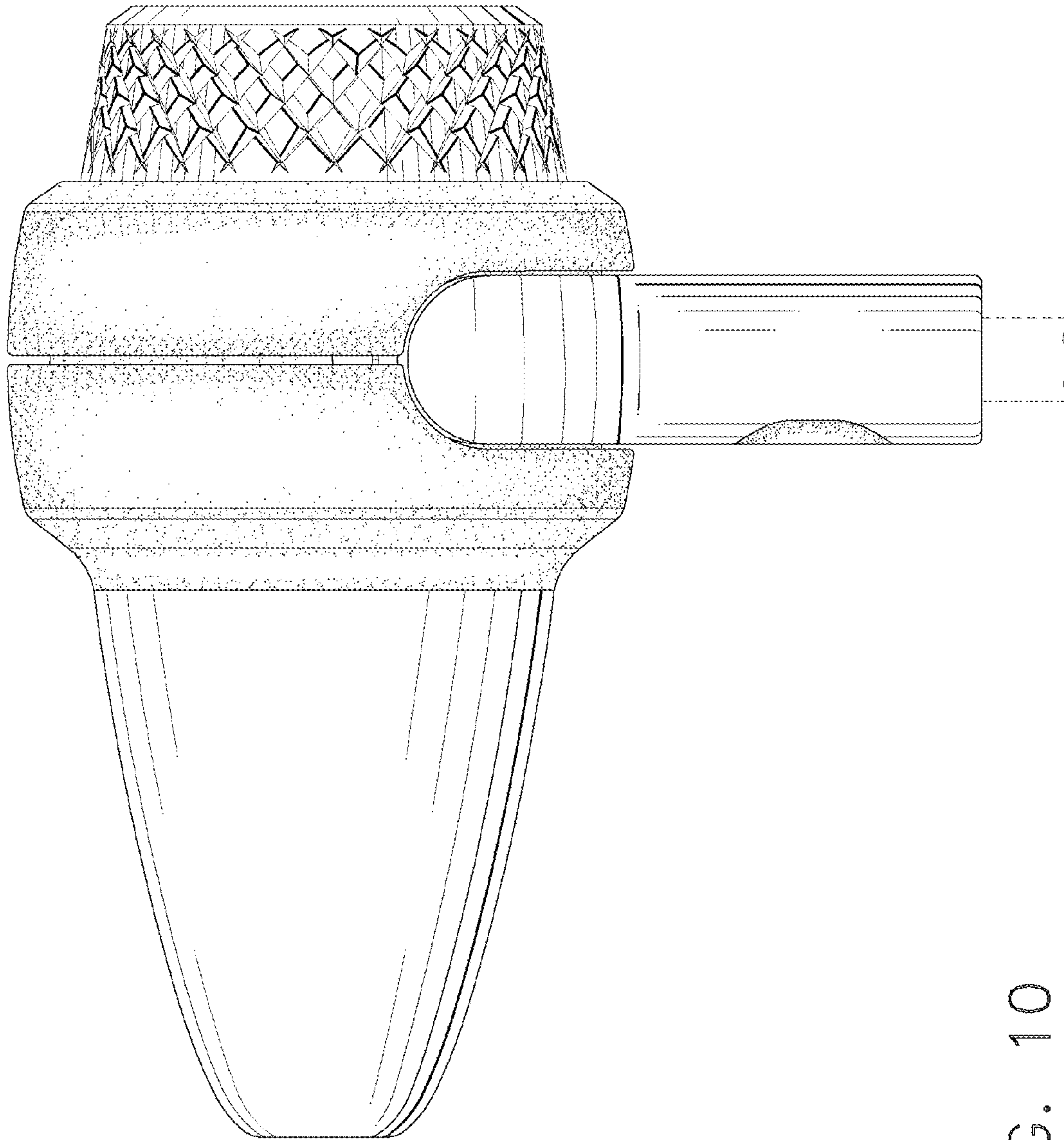


FIG. 10

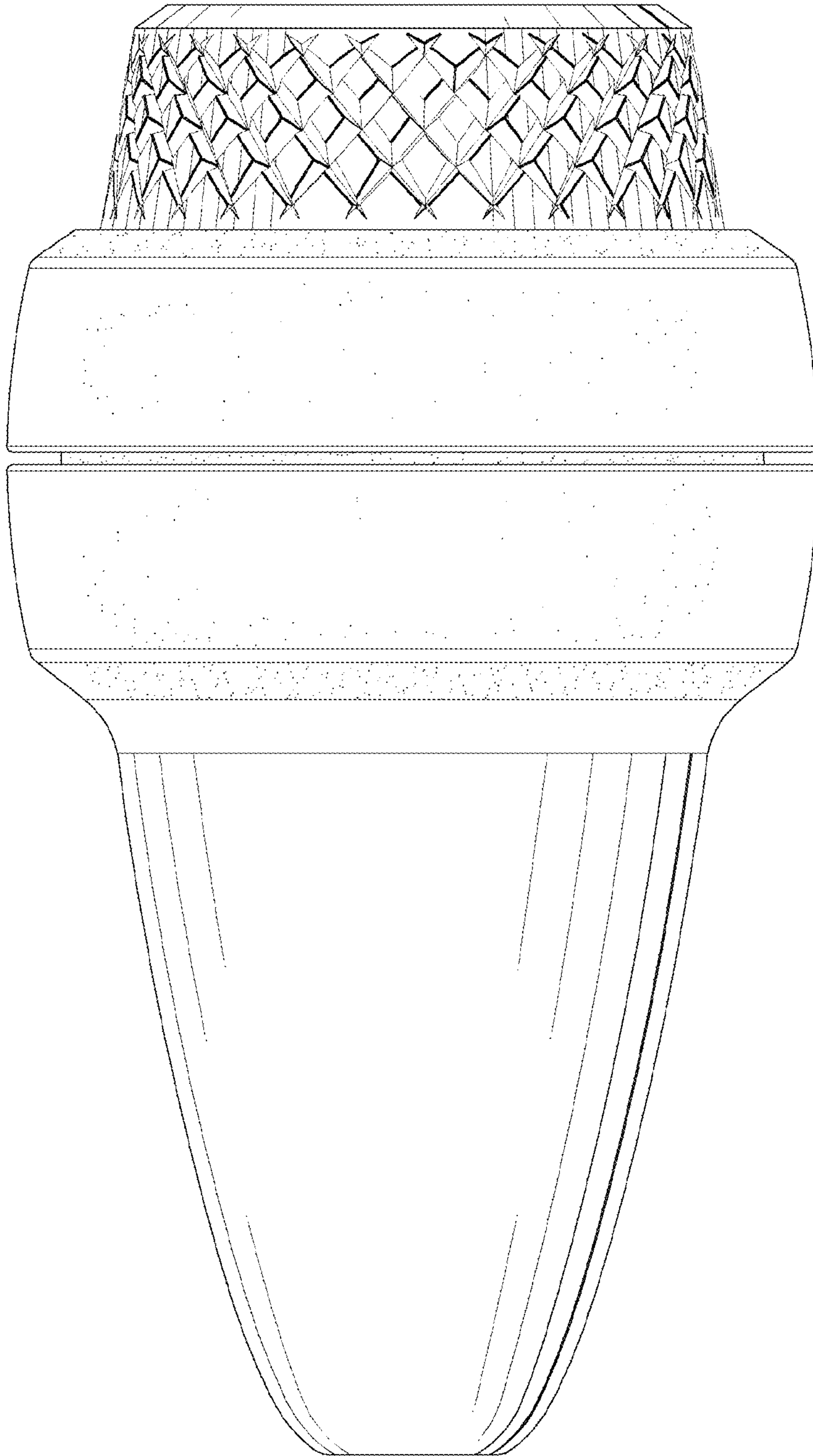


FIG. 11

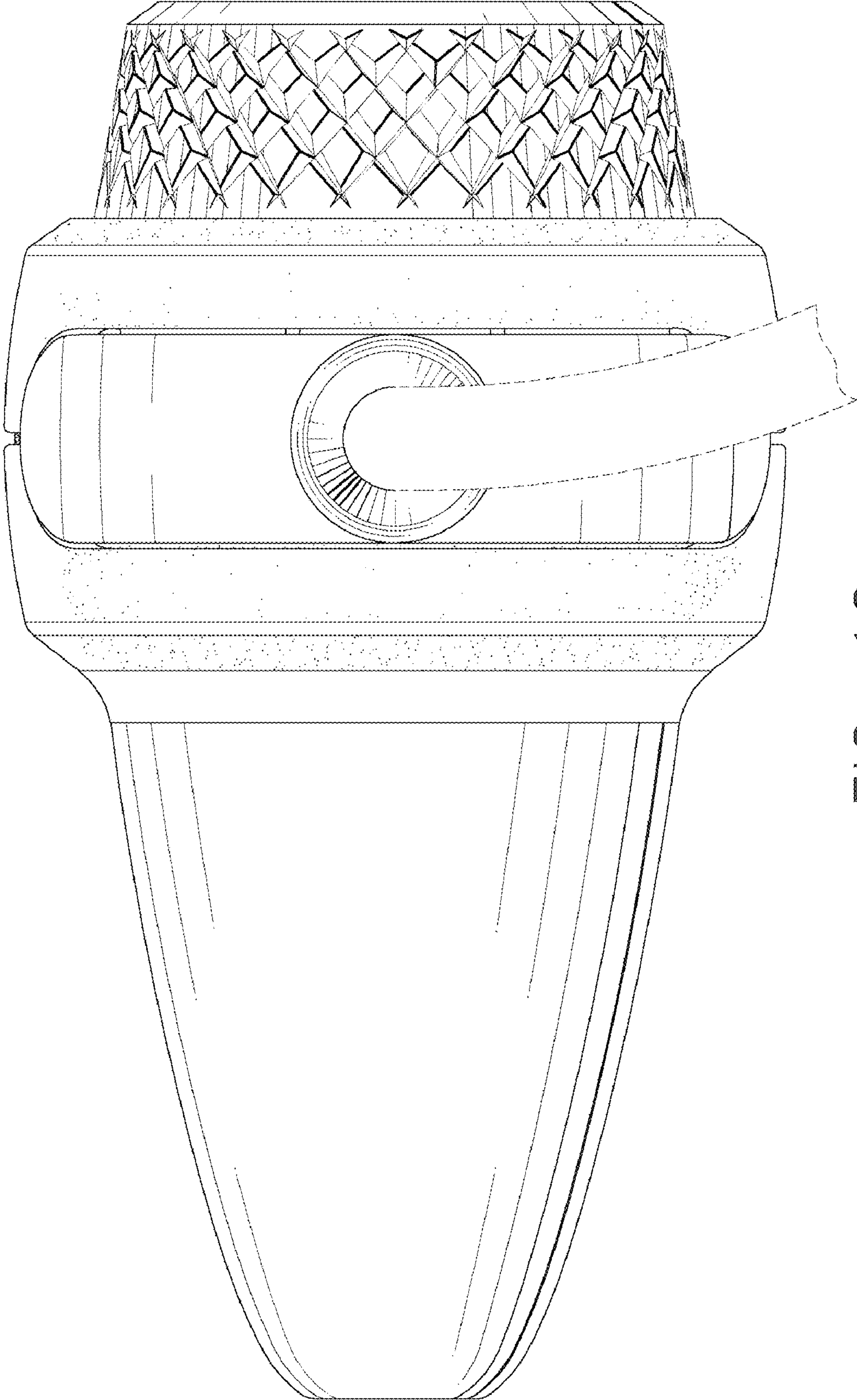


FIG. 12

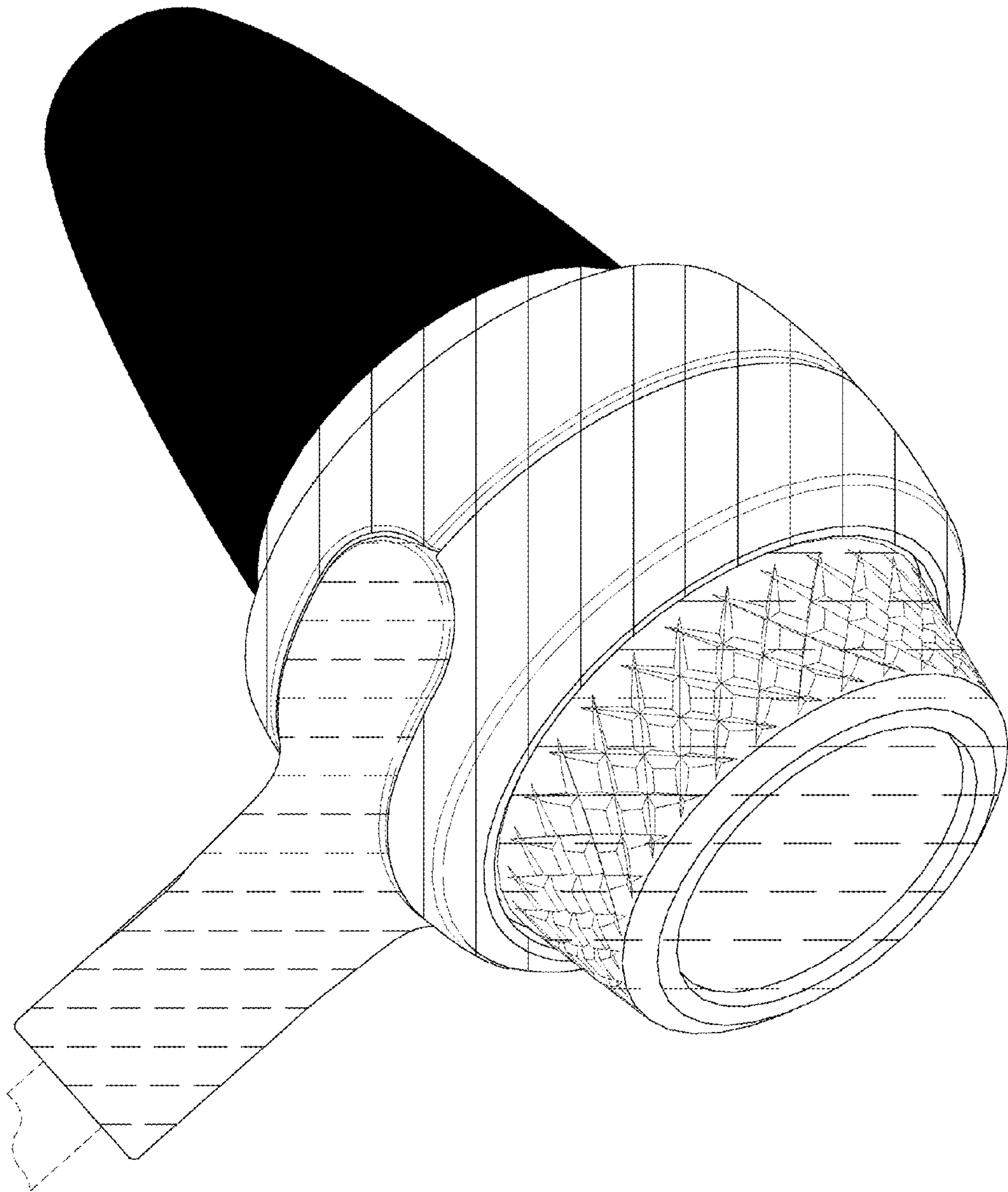


FIG. 13

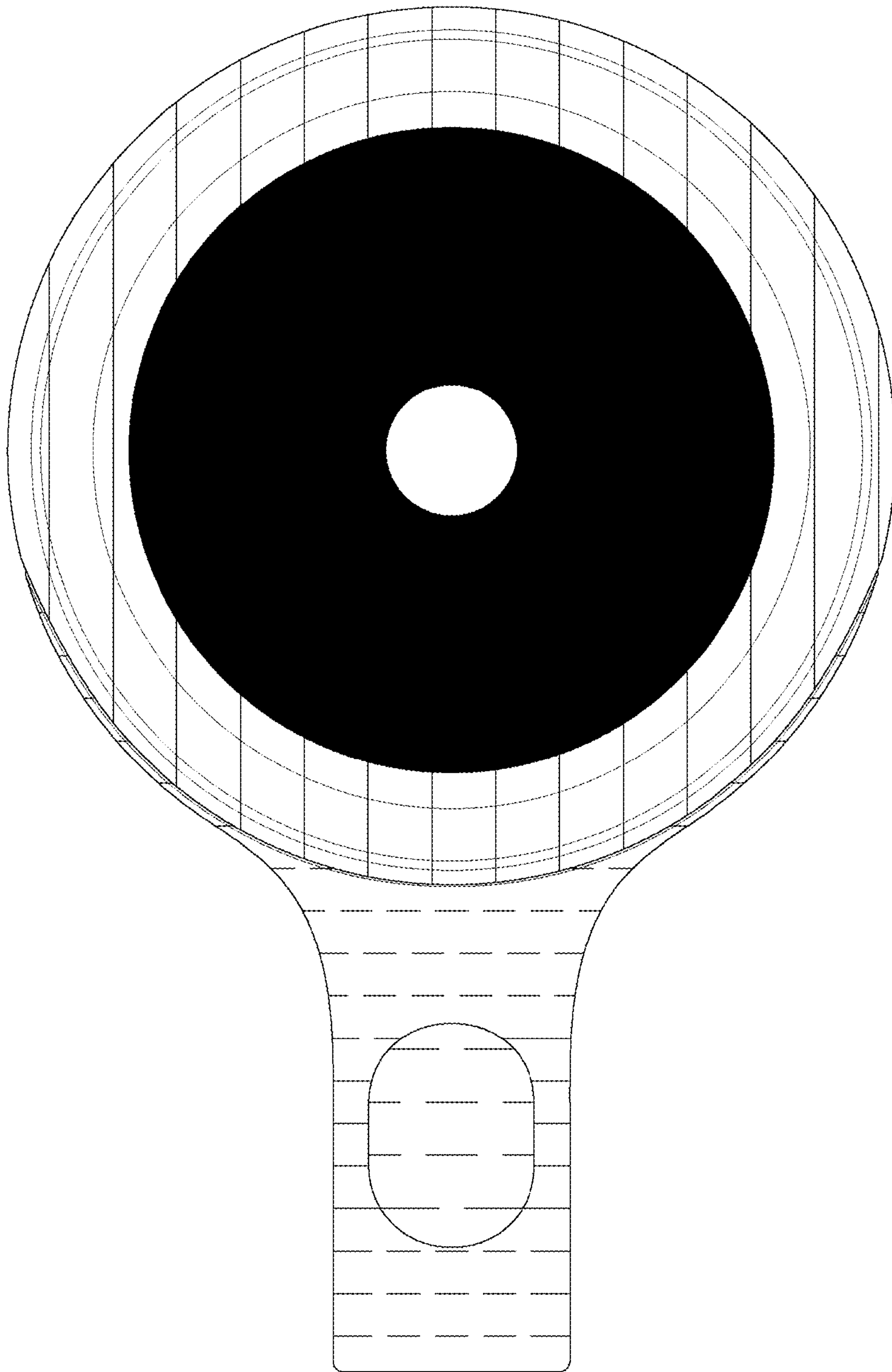


FIG. 14

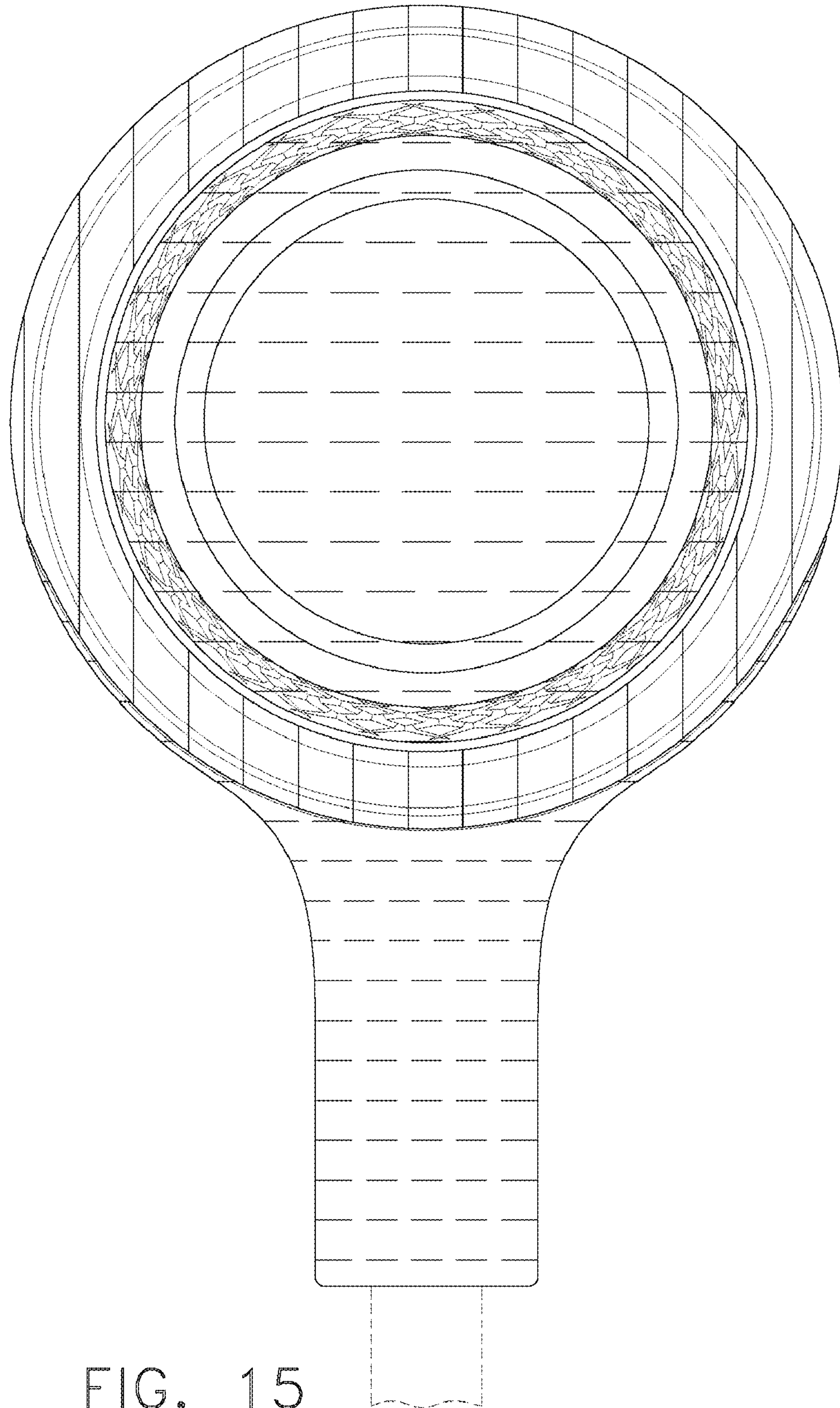


FIG. 15

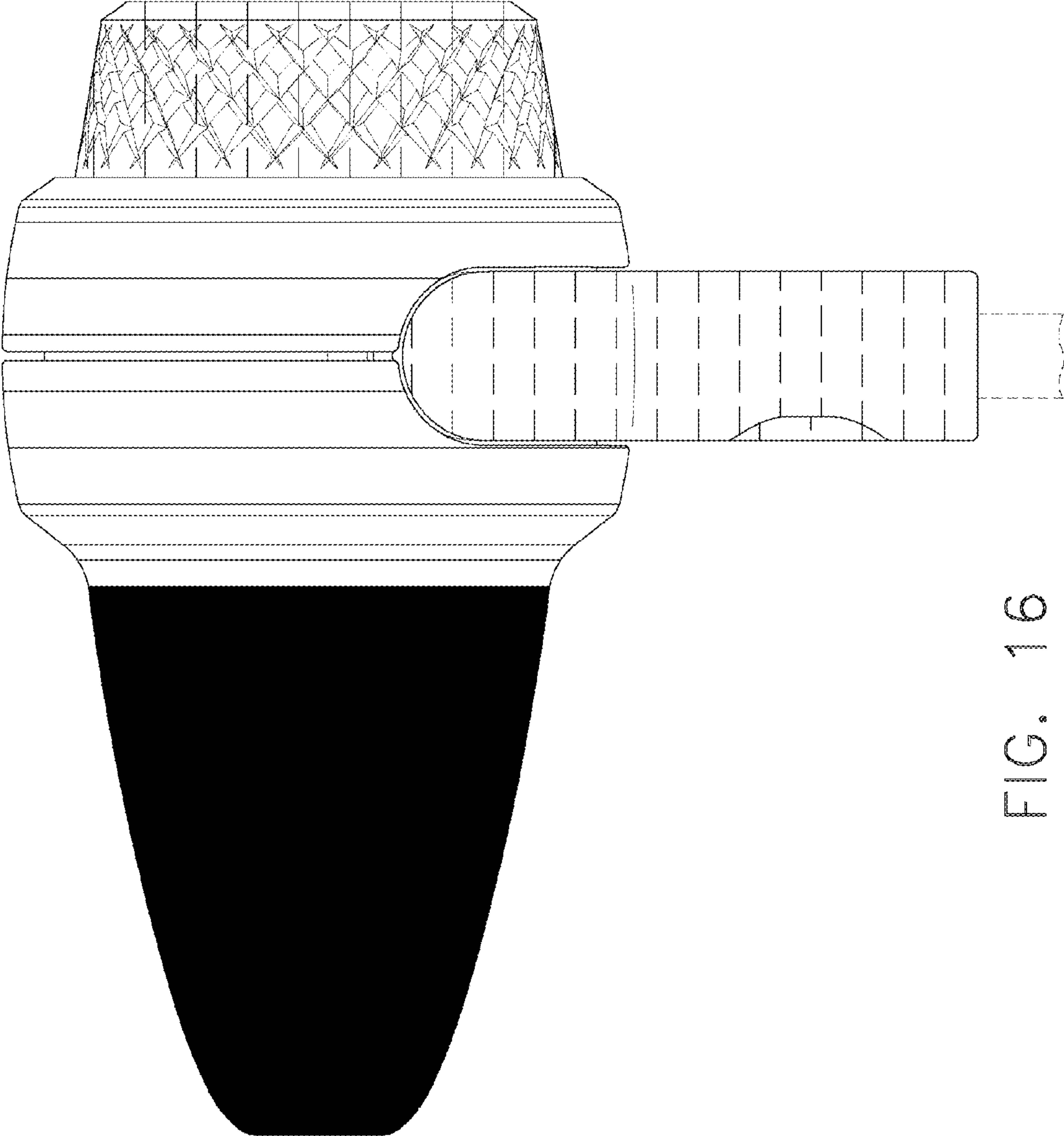


FIG. 16

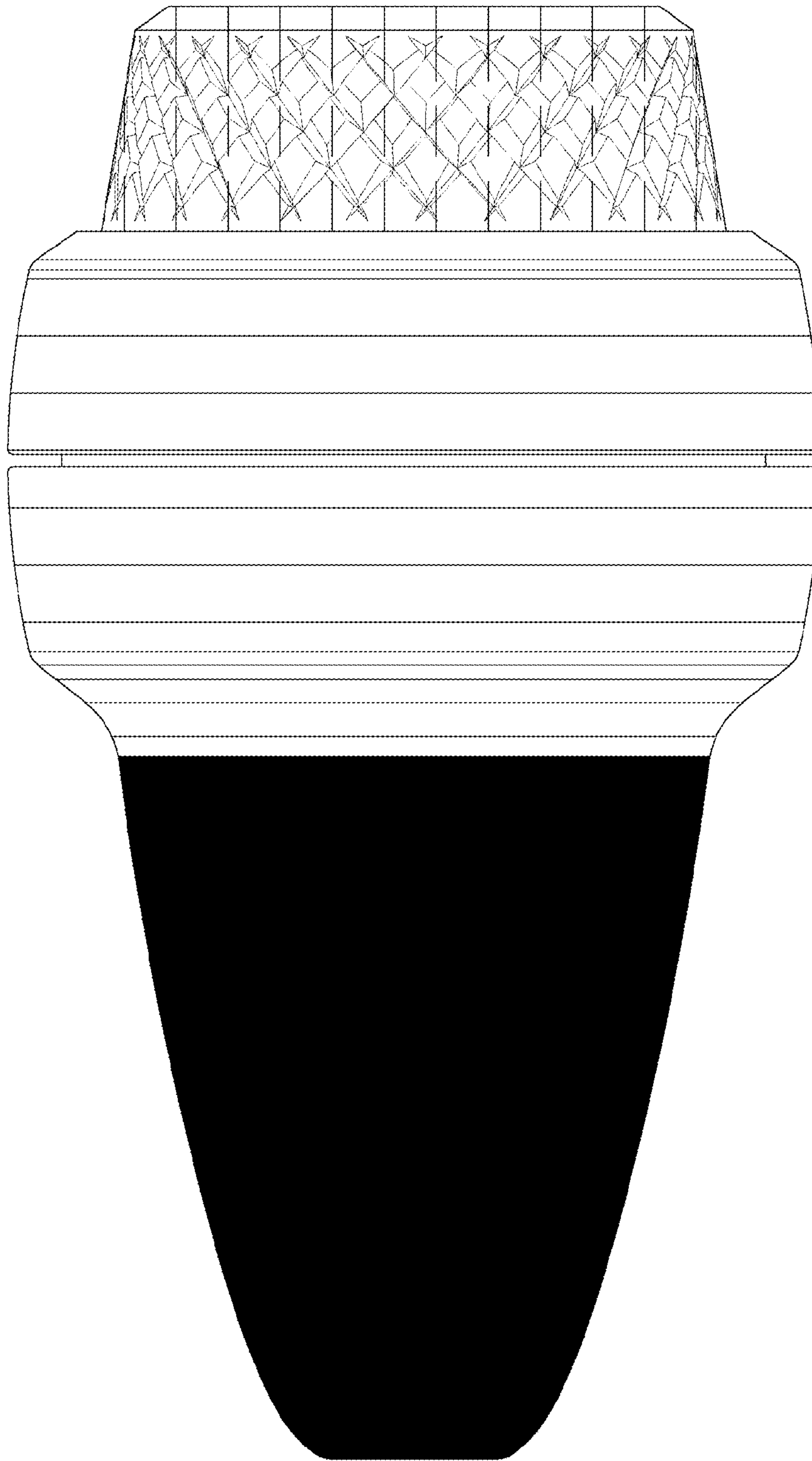


FIG. 17

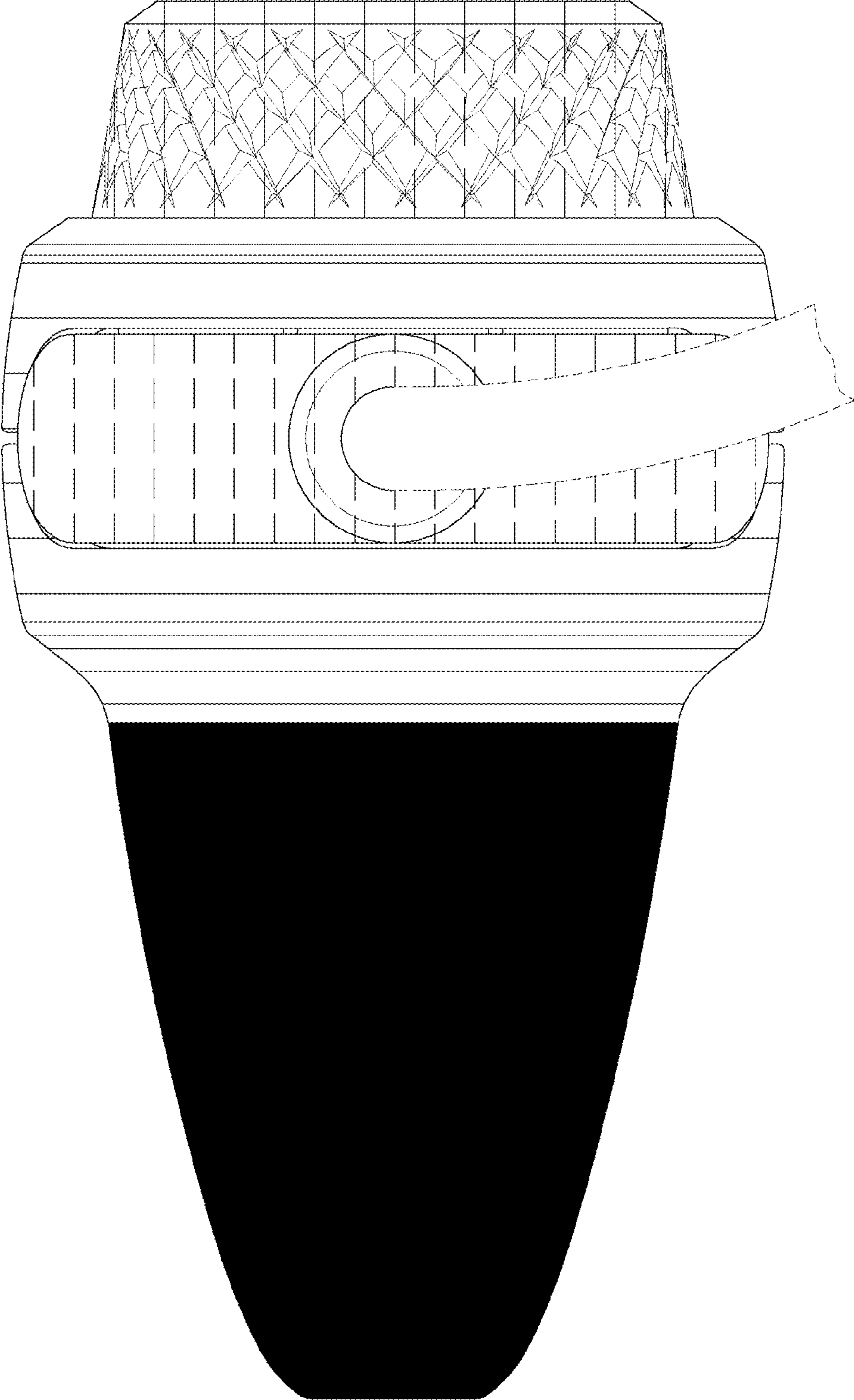


FIG. 18