



US00D621384S

(12) **United States Design Patent**
Kao

(10) **Patent No.:** **US D621,384 S**

(45) **Date of Patent:** **** Aug. 10, 2010**

(54) **WIRELESS SPEAKER**

D576,605 S * 9/2008 Milks et al. D14/214

(75) Inventor: **Hsing-Yi Kao**, Tu-Cheng (TW)

* cited by examiner

(73) Assignee: **Cheng Uei Precision Industry Co., Ltd.**, Tu-Cheng, Taipei Hsien (TW)

Primary Examiner—Nanda Bondade

(74) *Attorney, Agent, or Firm*—Cheng-Ju Chiang

(**) Term: **14 Years**

(57) **CLAIM**

(21) Appl. No.: **29/351,542**

The ornamental design for a wireless speaker, as shown and described.

(22) Filed: **Dec. 7, 2009**

DESCRIPTION

(51) **LOC (9) Cl.** **14-01**

FIG. 1 is a perspective view of a wireless speaker showing my new design;

(52) **U.S. Cl.** **D14/214**

FIG. 2 is a front elevational view thereof;

(58) **Field of Classification Search** D14/204,

FIG. 3 is a rear elevational view thereof;

D14/210–214, 168, 194, 197–198, 171–172;

FIG. 4 is a left side elevational view thereof;

181/143–144, 147–148, 150–153, 157, 198–199;

FIG. 5 is a right side elevational view thereof;

381/300–303, 306, 332–333, 336, 345, 361–364,

FIG. 6 is a top plan view thereof;

381/386–388

FIG. 7 is a bottom plan view thereof; and,

See application file for complete search history.

FIG. 8 is another perspective view of the wireless speaker showing my new design.

(56) **References Cited**

The broken lines in the Figures are for illustrative purposes and form no part of the claimed designs.

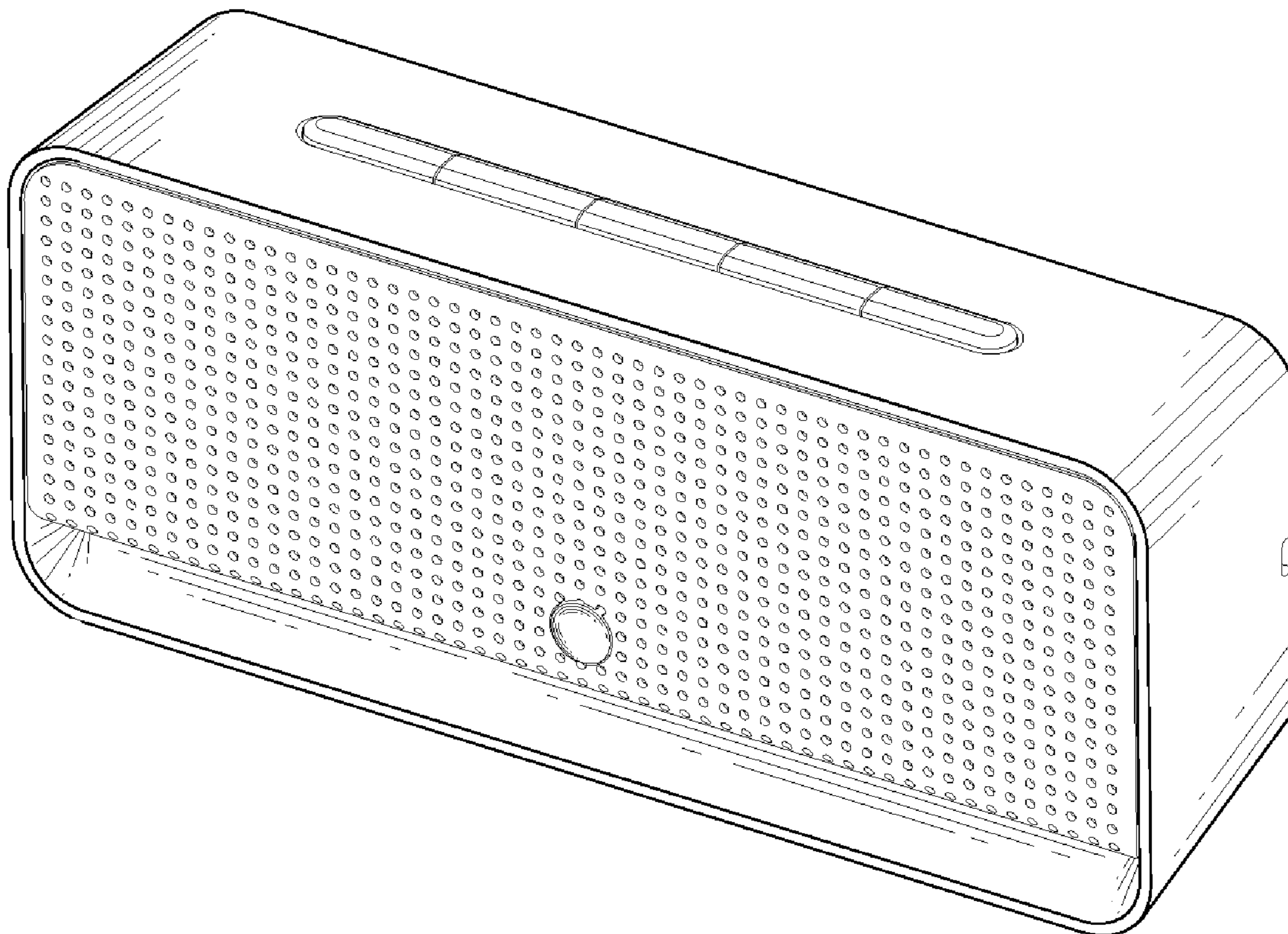
U.S. PATENT DOCUMENTS

D266,759 S * 11/1982 Jabara D14/214

D422,590 S * 4/2000 Kloss D14/198

D428,612 S * 7/2000 Scorrano D14/194

1 Claim, 8 Drawing Sheets



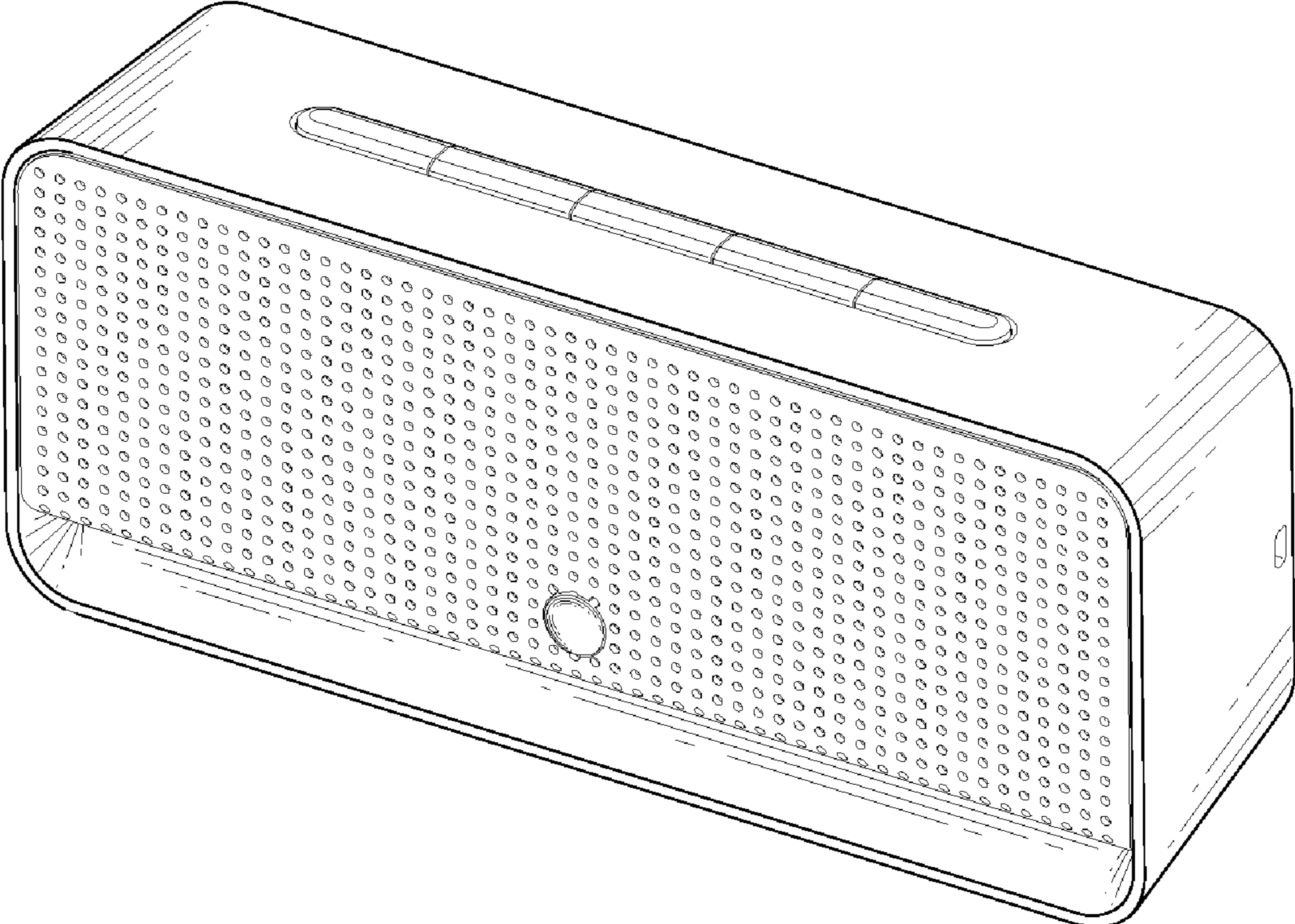


FIG. 1

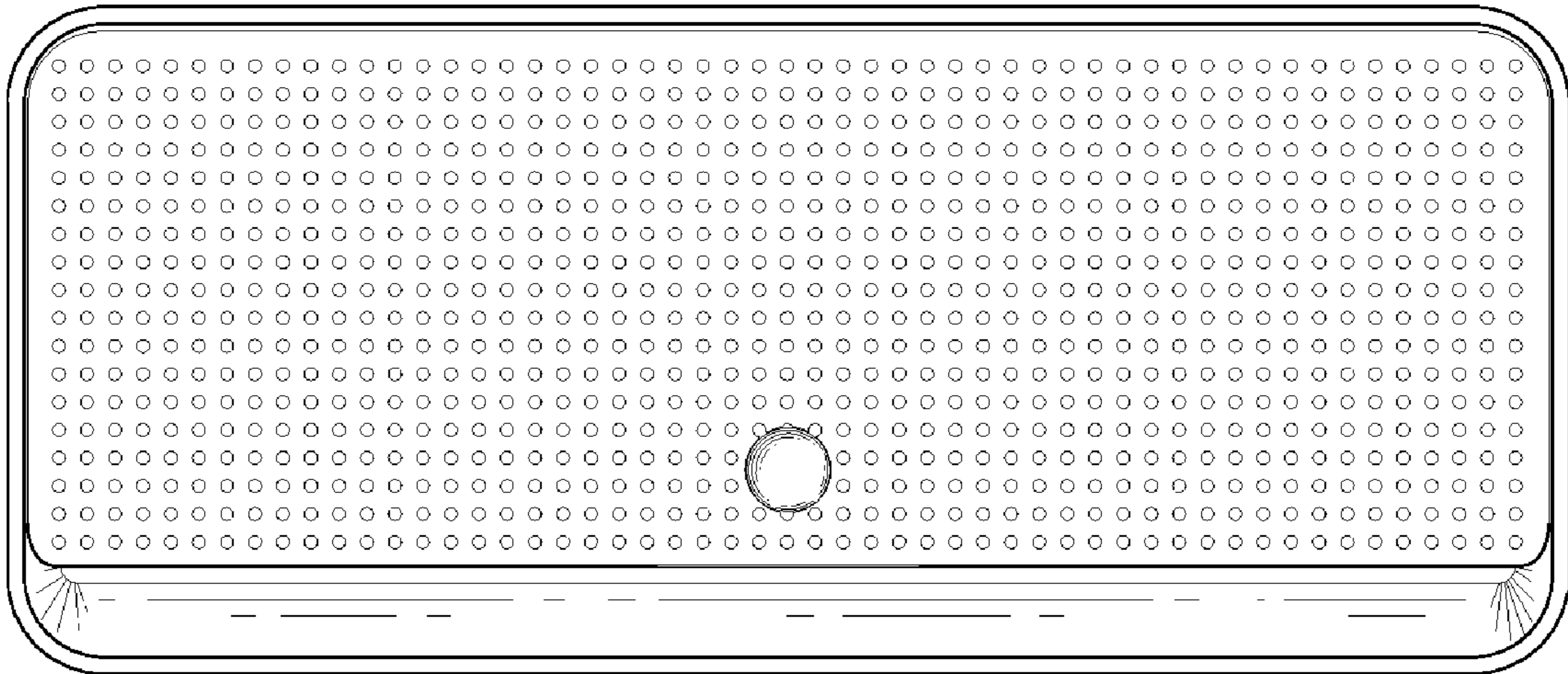


FIG. 2

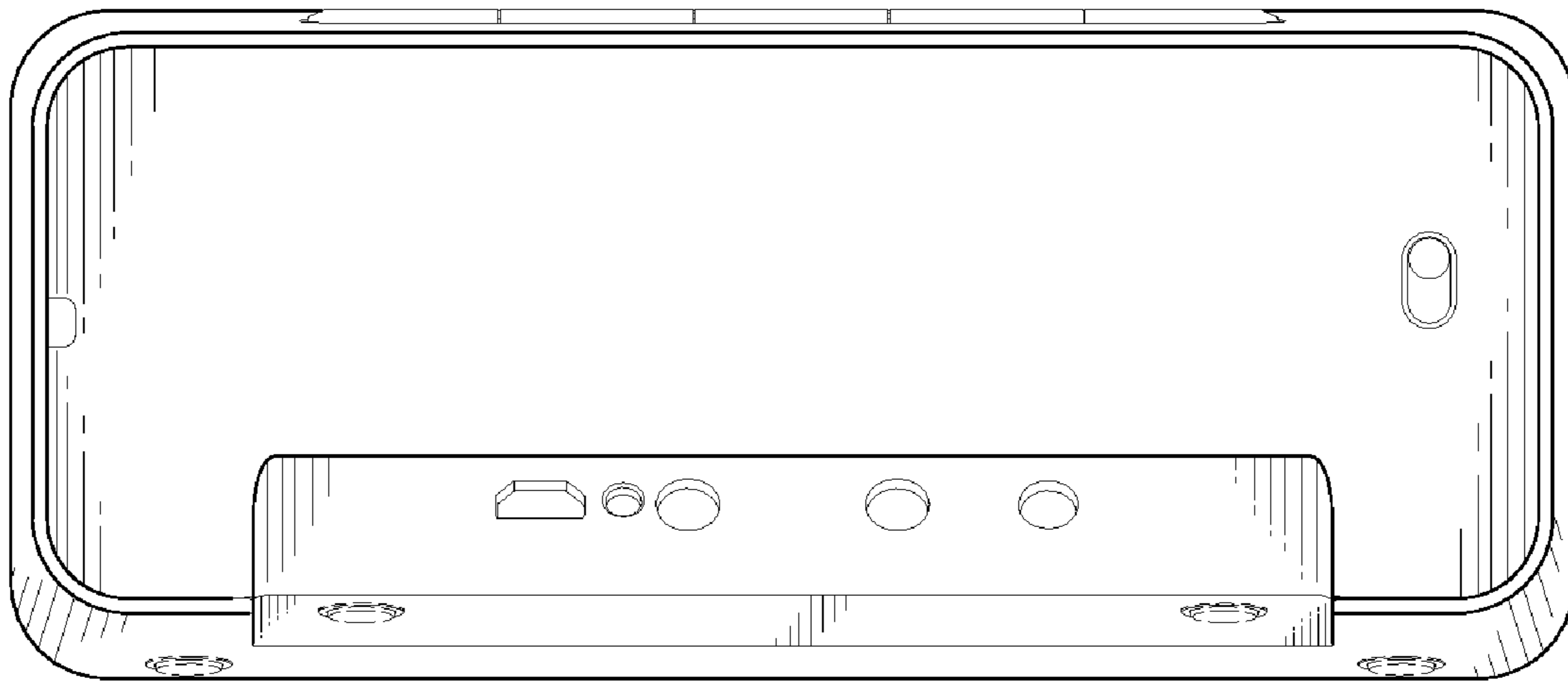


FIG. 3

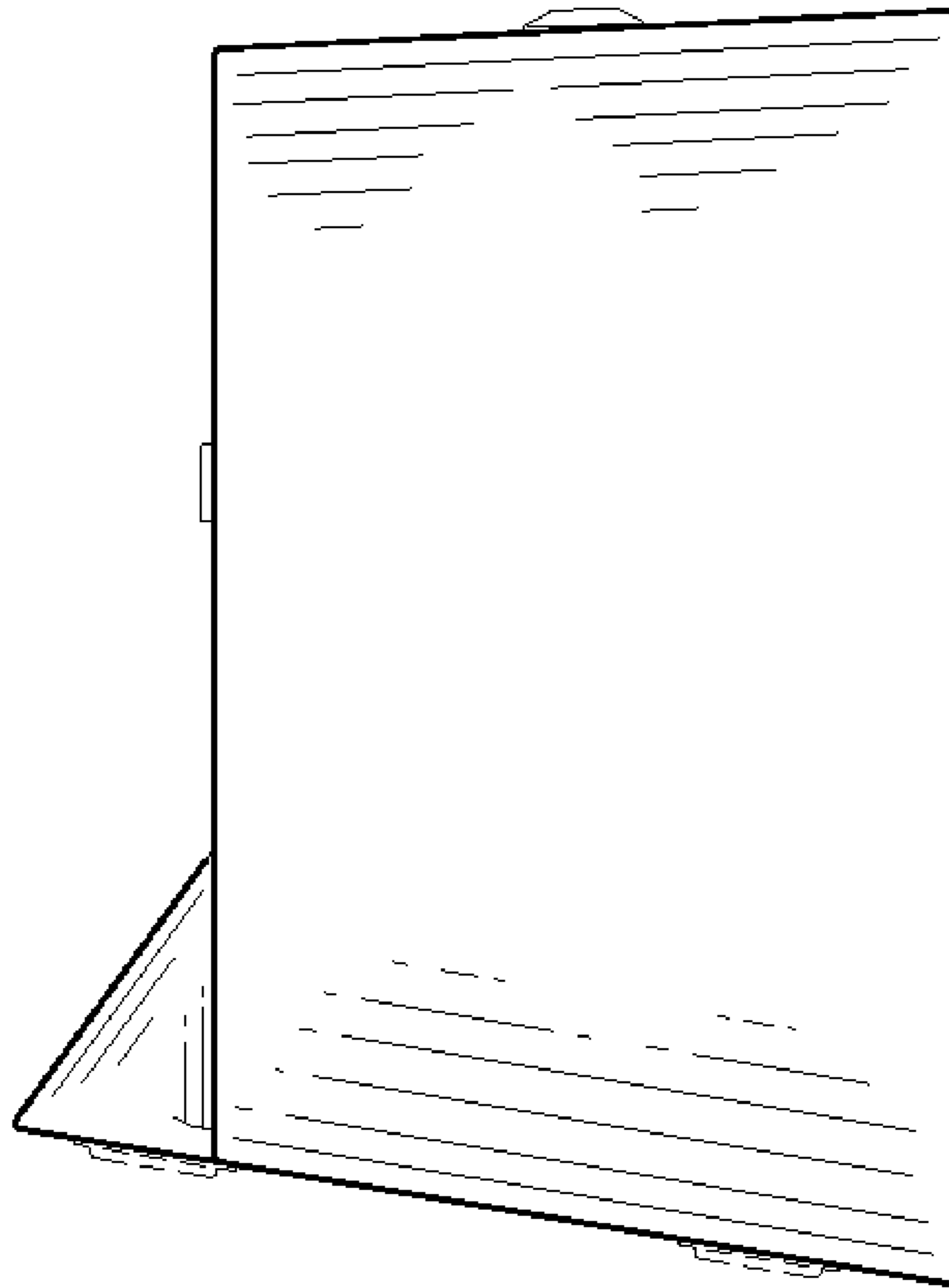


FIG. 4

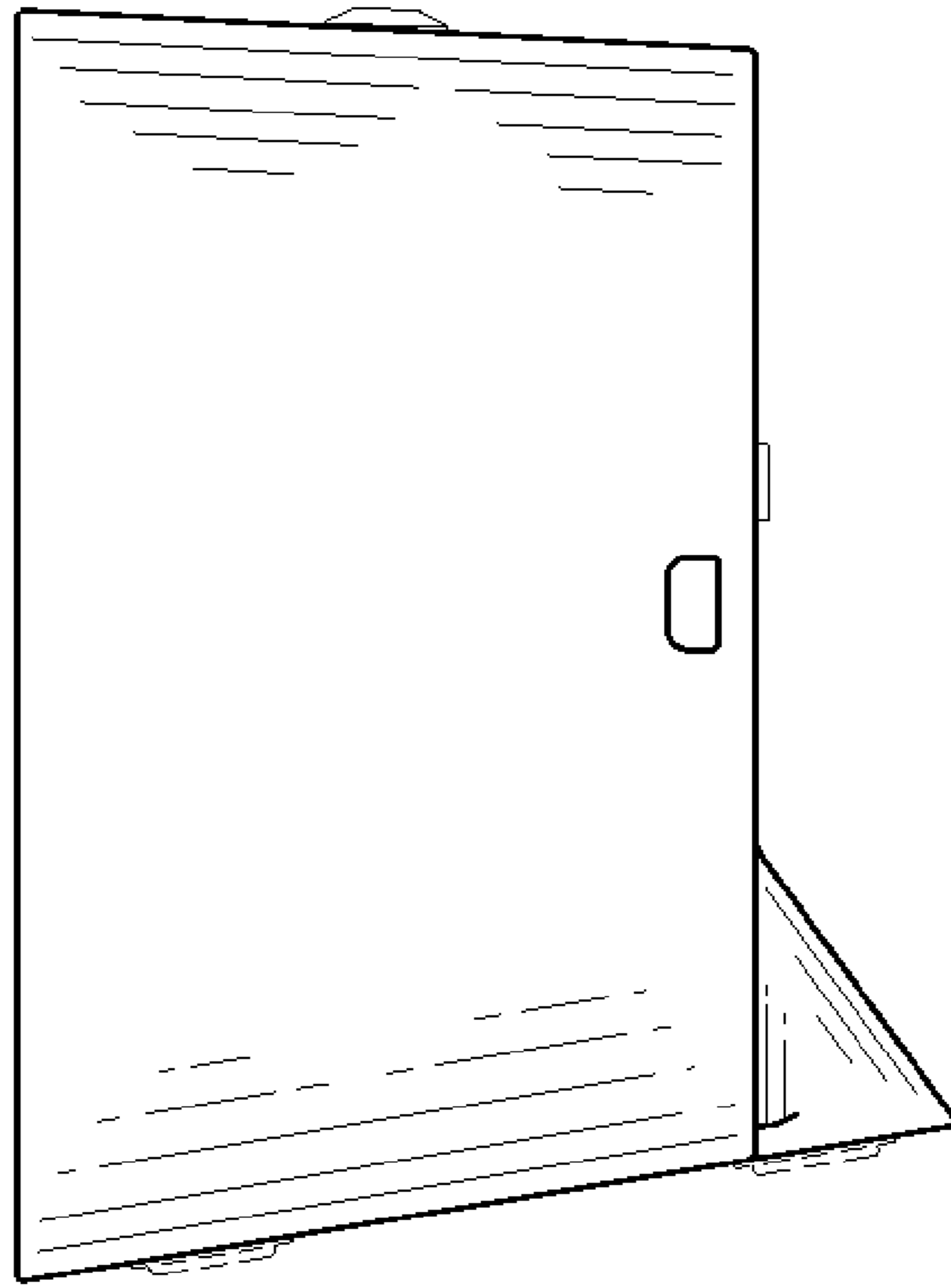


FIG. 5

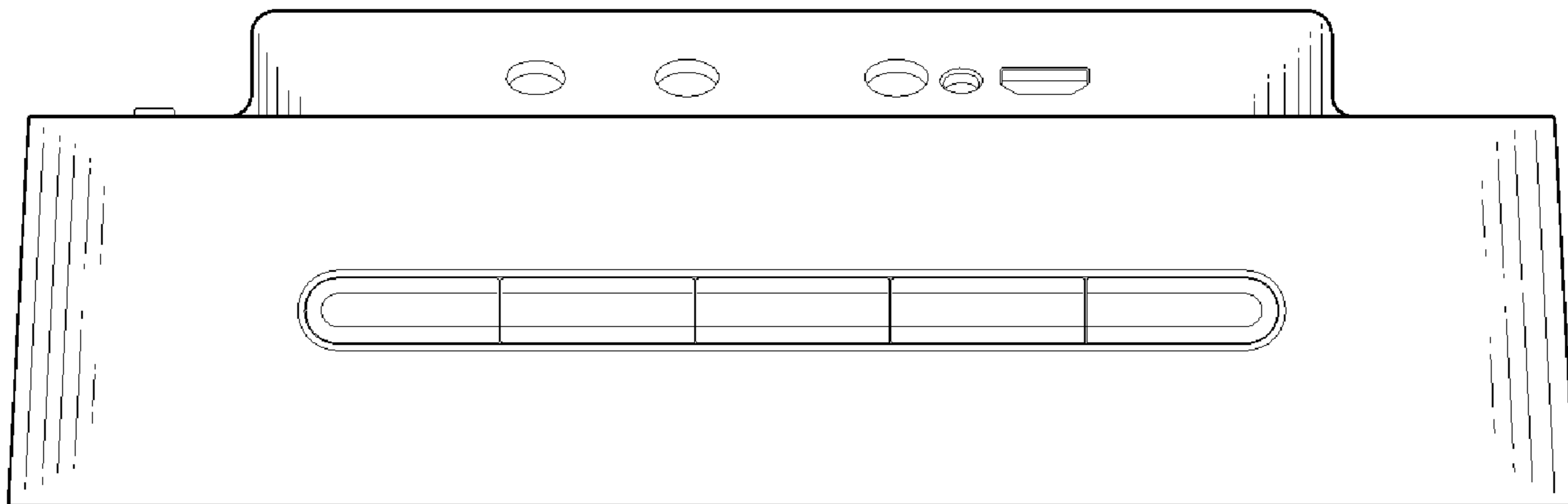


FIG. 6

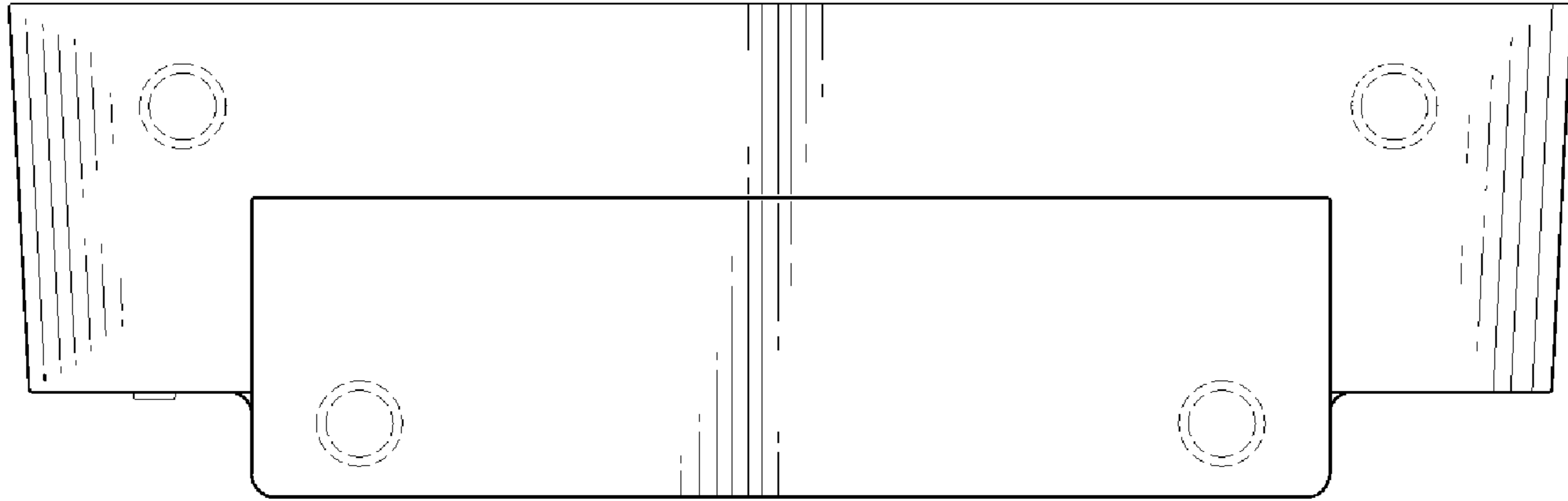


FIG. 7

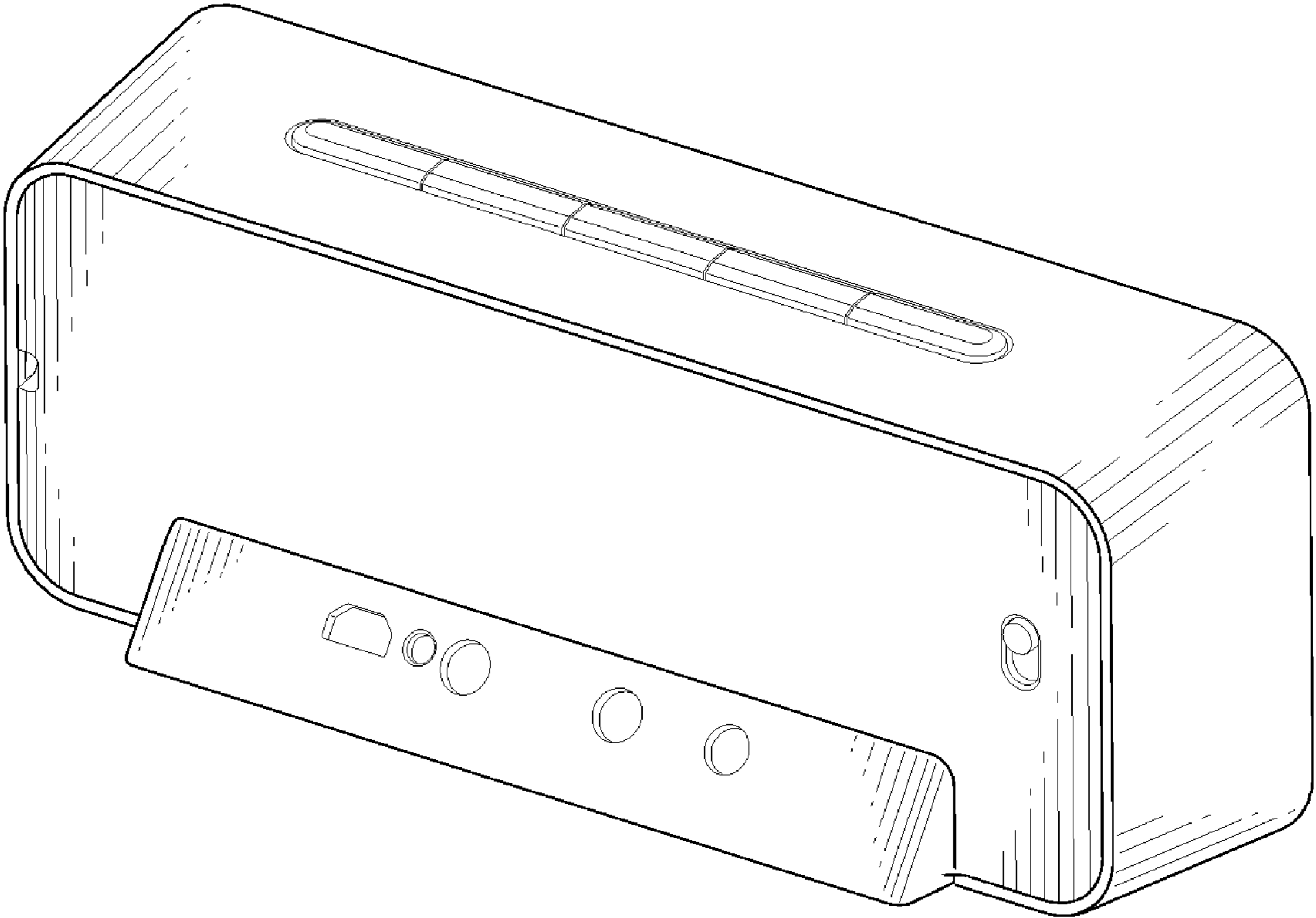


FIG. 8