



US00D621379S

(12) **United States Design Patent**
Song et al.

(10) **Patent No.:** **US D621,379 S**

(45) **Date of Patent:** **** Aug. 10, 2010**

(54) **MOBILE PHONE**

(75) Inventors: **Han-Gil Song**, Seoul (KR); **Sang-Min Hyun**, Seoul (KR); **Chang-Hwan Hwang**, Goyang-Si (KR)

(73) Assignee: **Samsung Electronics Co., Ltd.** (KR)

(**) Term: **14 Years**

(21) Appl. No.: **29/345,418**

(22) Filed: **Oct. 15, 2009**

(30) **Foreign Application Priority Data**

Sep. 3, 2009 (KR) 30-2009-0039089

(51) **LOC (9) Cl.** **14-03**

(52) **U.S. Cl.** **D14/138 R**

(58) **Field of Classification Search** D14/138 R,
D14/138 AD, 138 AC, 138 C, 138 G, 191,
D14/203.1–203.8, 496, 138 AA, 138 AB,
D14/247–248, 137, 147, 218, 341–347; D10/65,
D10/78, 104; D13/168; D18/7; 455/566,
455/575.1, 575.3

See application file for complete search history.

(56) **References Cited**

U.S. PATENT DOCUMENTS

- D430,128 S * 8/2000 Hino et al. D14/138 AD
- D445,409 S * 7/2001 Segers D14/138 AD
- D455,137 S * 4/2002 Wang D14/138 AD
- 6,751,487 B1 * 6/2004 Rydbeck et al. 455/575.3
- D525,610 S * 7/2006 Kim et al. D14/138 AD
- D531,155 S * 10/2006 Ahn et al. D14/138 C
- D542,753 S * 5/2007 Majanen et al. D14/138 AD
- D547,743 S * 7/2007 Kim et al. D14/138 AA
- D551,649 S * 9/2007 Moon et al. D14/138 AA
- D554,149 S * 10/2007 Kim D14/496
- D556,177 S * 11/2007 Kim et al. D14/138 AC

- D560,196 S * 1/2008 Kim et al. D14/138 AA
- D563,371 S * 3/2008 Kim et al. D14/138 AA
- D563,939 S * 3/2008 Laine et al. D14/138 AD
- D565,598 S * 4/2008 Park D14/496
- D567,206 S * 4/2008 Daley et al. D14/138 AD
- D587,234 S * 2/2009 Kim et al. D14/138 AD
- D591,259 S * 4/2009 Choi et al. D14/138 AB

(Continued)

OTHER PUBLICATIONS

LG KE800, announced Oct. 2006, [online], [retrieved on Feb. 20, 2007]. Retrieved from Internet ,<URL: http://www.gsmarena.com>.*

(Continued)

Primary Examiner—Jeffrey D Asch
Assistant Examiner—Bridget L Eland
(74) *Attorney, Agent, or Firm*—NSIP Law

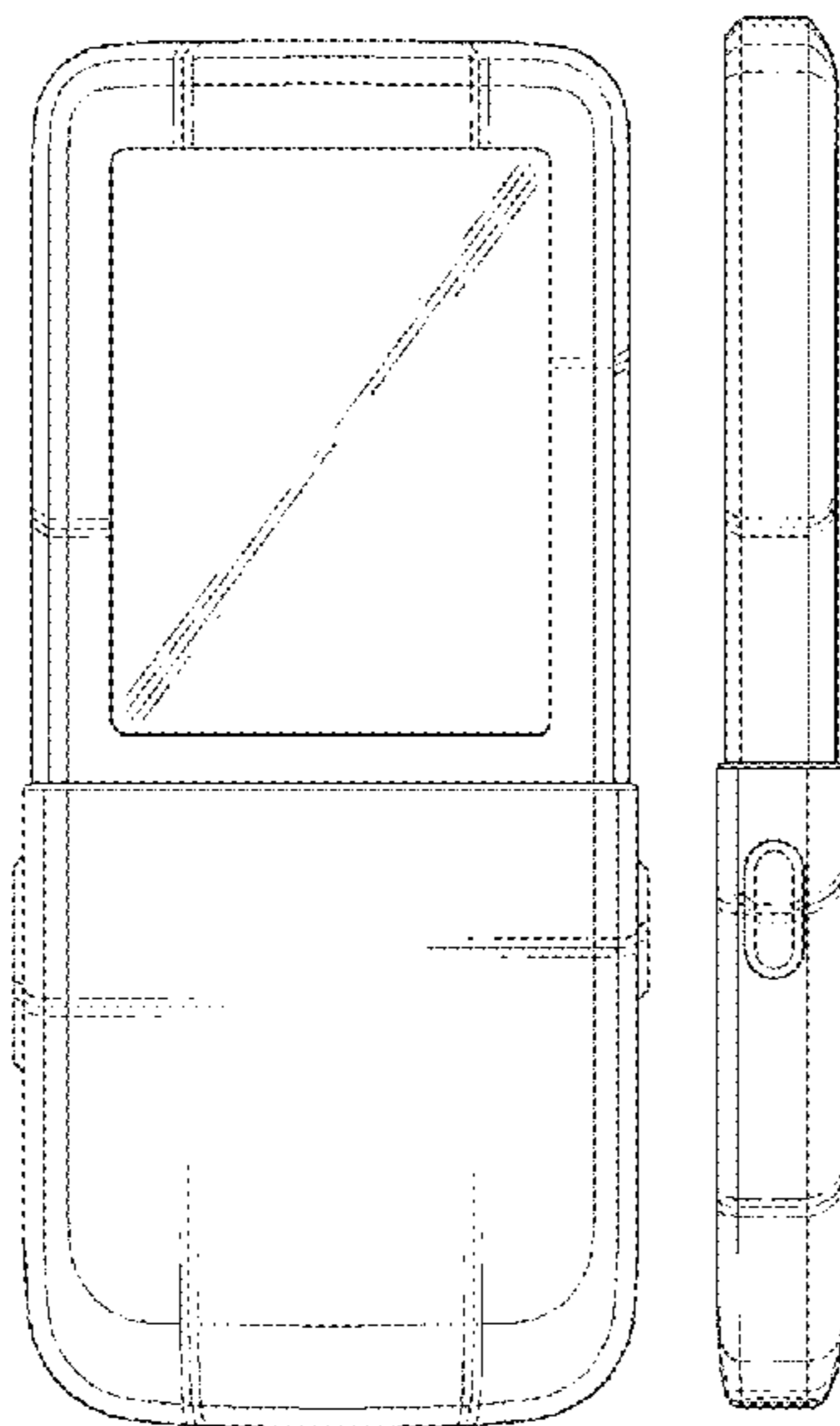
(57) **CLAIM**

The ornamental design for a mobile phone, as shown and described.

DESCRIPTION

FIG. 1 is a perspective view of a mobile phone;
FIG. 2 is a front view of the mobile phone of FIG. 1;
FIG. 3 is a rear view of the mobile phone of FIG. 1;
FIG. 4 is a left-side view of the mobile phone of FIG. 1;
FIG. 5 is a right-side view of the mobile phone of FIG. 1;
FIG. 6 is a top plan view of the mobile phone of FIG. 1; and,
FIG. 7 is a bottom plan view of the mobile phone of FIG. 1.

1 Claim, 4 Drawing Sheets



U.S. PATENT DOCUMENTS

D592,166 S * 5/2009 Song D14/138 AD
D603,361 S * 11/2009 Kang D14/138 AA
D608,318 S * 1/2010 Kim D14/138 AD
2005/0277449 A1* 12/2005 Wu 455/575.1
2007/0021160 A1* 1/2007 Li 455/575.4
2008/0051160 A1* 2/2008 Seil et al. 455/575.1
2008/0176605 A1* 7/2008 Choi et al. 455/566
2009/0051658 A1* 2/2009 Frohnlund 345/169

OTHER PUBLICATIONS

Nokia 8800, announced 1st quarter 2005, [online], [retrieved on Feb. 16, 2007]. Retrieved from Internet ,<URL: <http://www.gsmarena.com>>.*

Nokia 8800 Sirocco, announced Sep. 2006, [online], [retrieved on Feb. 16, 2007]. Retrieved from Internet ,<URL: <http://www.gsmarena.com>>.*

Nokia 8800 Arte, announced Nov. 2007, [online], [retrieved on Feb. 13, 2007]. Retrieved from Internet ,<URL: <http://www.gsmarena.com>>.*

Qtek 1010, announced 2003, [online], [retrieved on Feb. 20, 2007]. Retrieved from Internet ,<URL: <http://www.gsmarena.com>>.*

Samsung F300, announced Dec. 2006, [online], [retrieved on Feb. 8, 2007]. Retrieved from Internet ,<URL: <http://www.gsmarena.com>>.*

Samsung F500, announced Dec. 2006, [online], [retrieved on Feb. 8, 2007 & Apr. 10, 2008]. Retrieved from Internet ,<URL: <http://www.gsmarena.com>>.*

* cited by examiner

FIG. 1

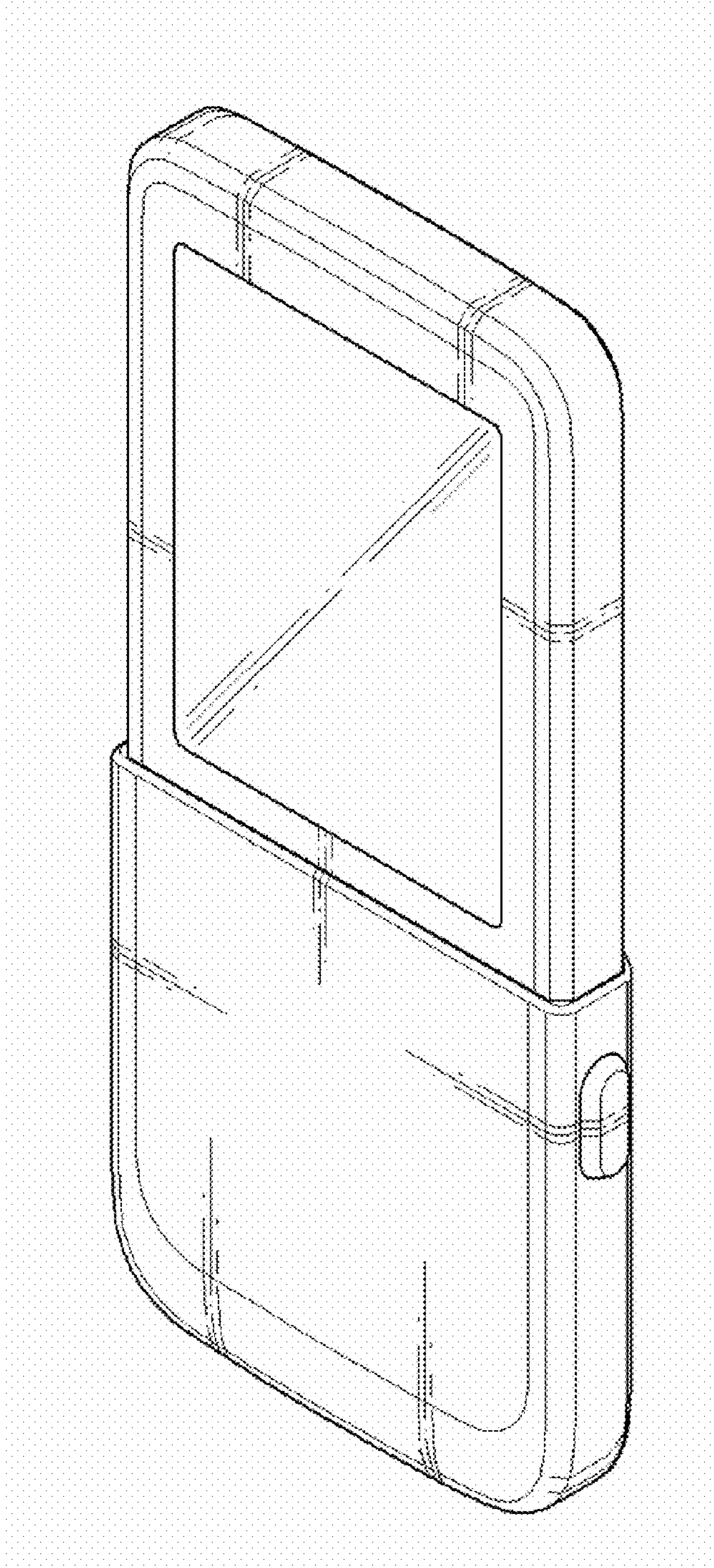


FIG. 2

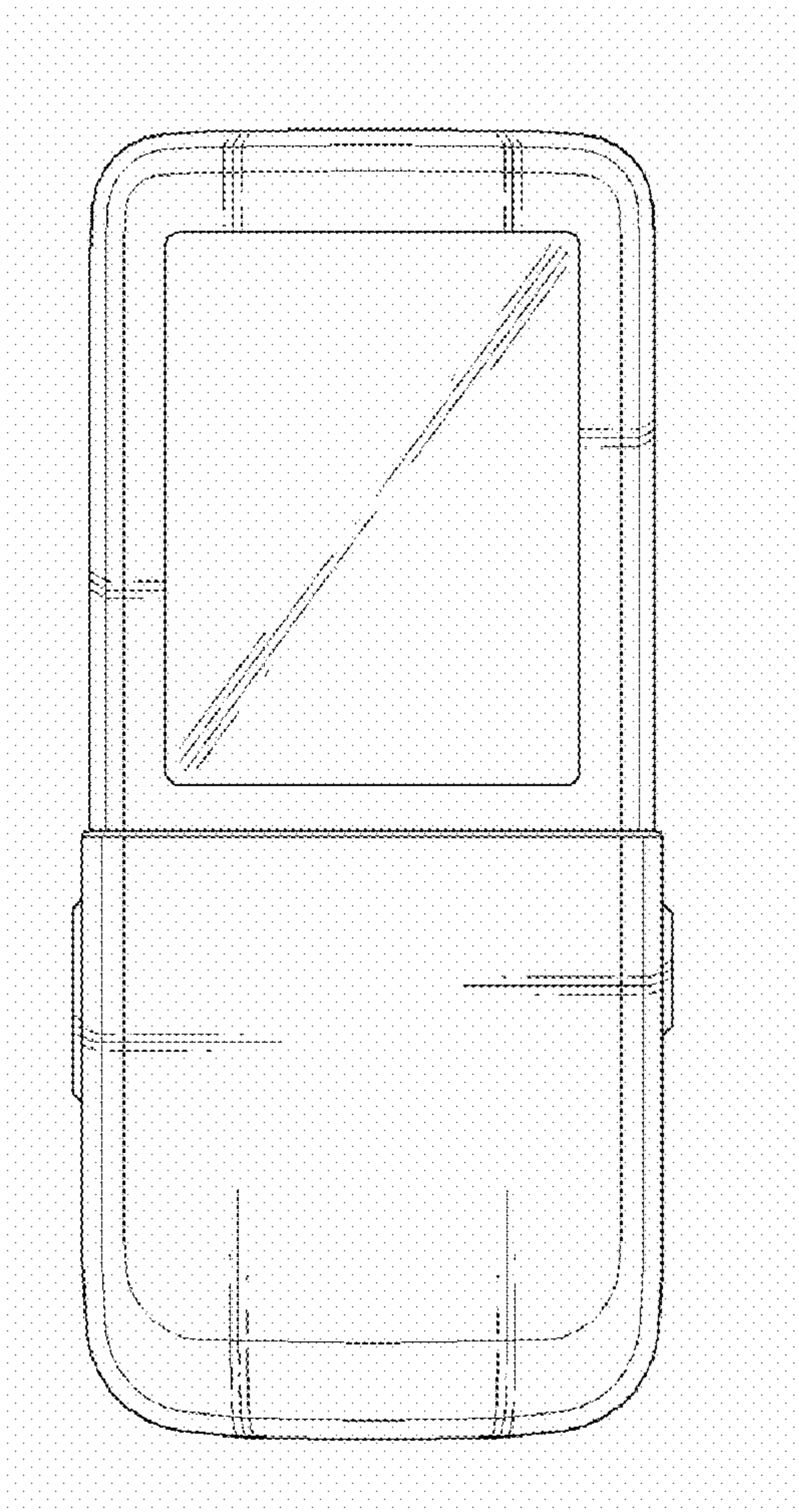


FIG. 3

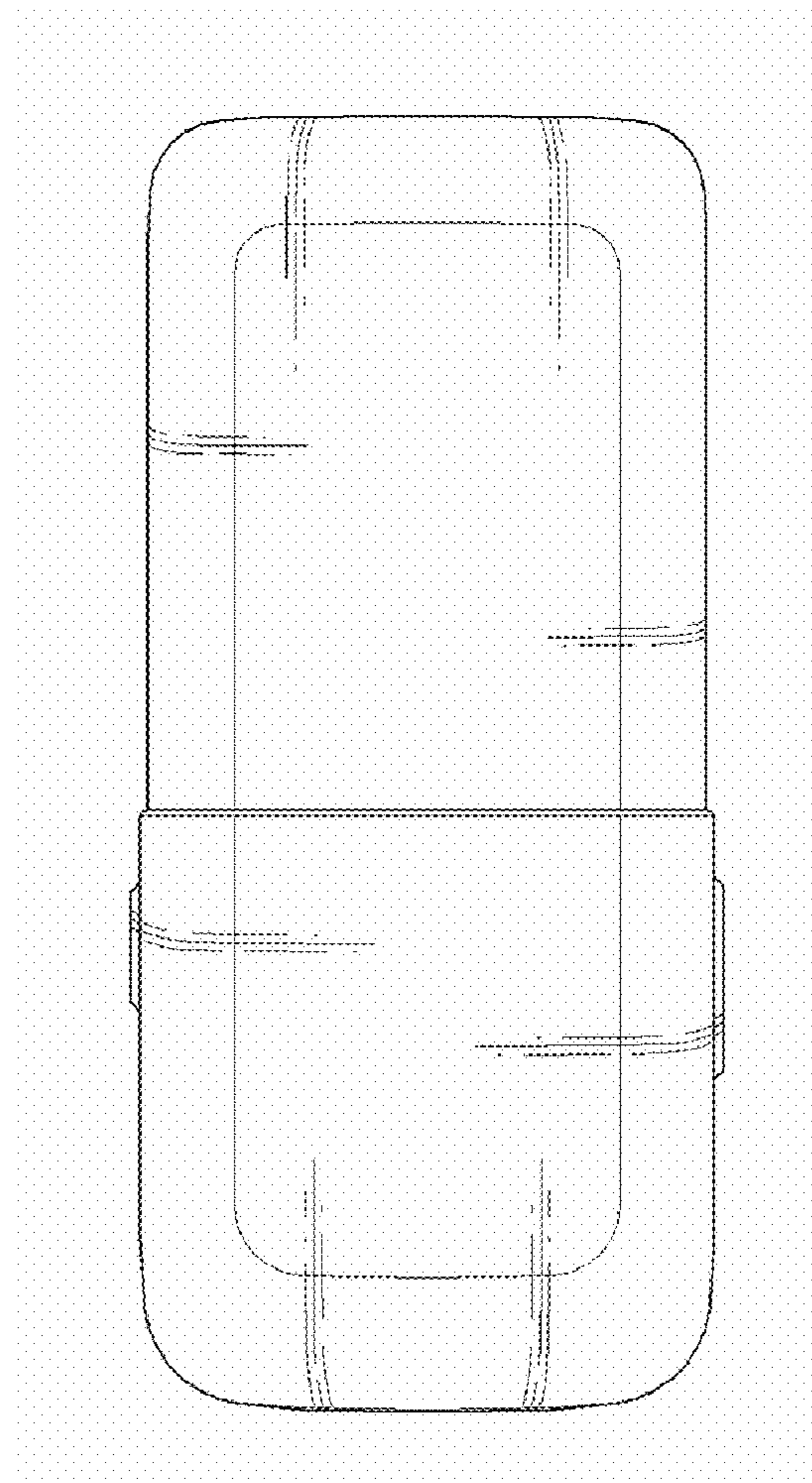


FIG. 4

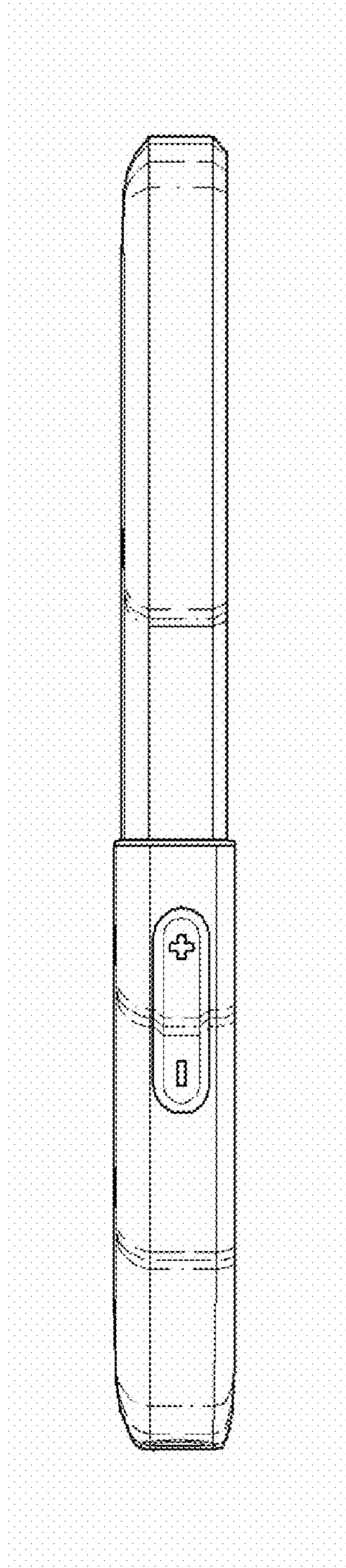


FIG. 5

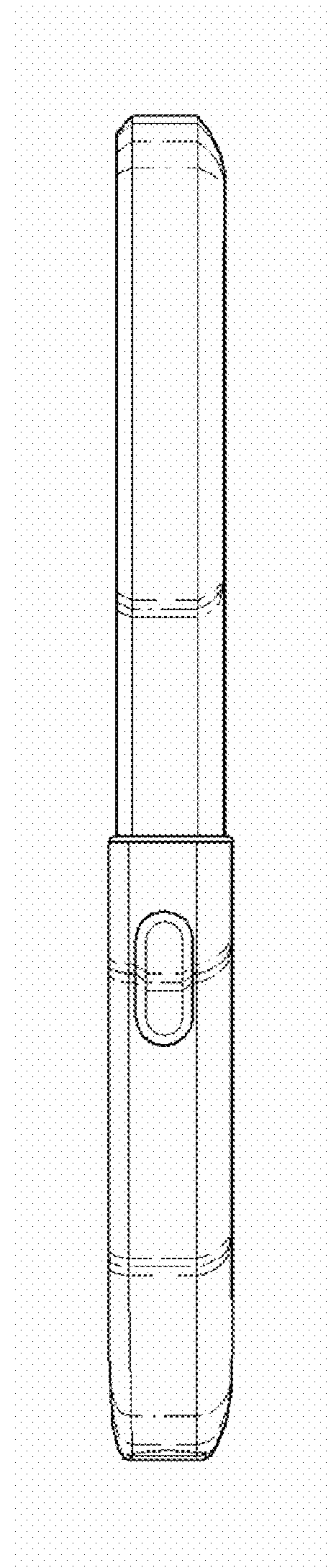


FIG. 6

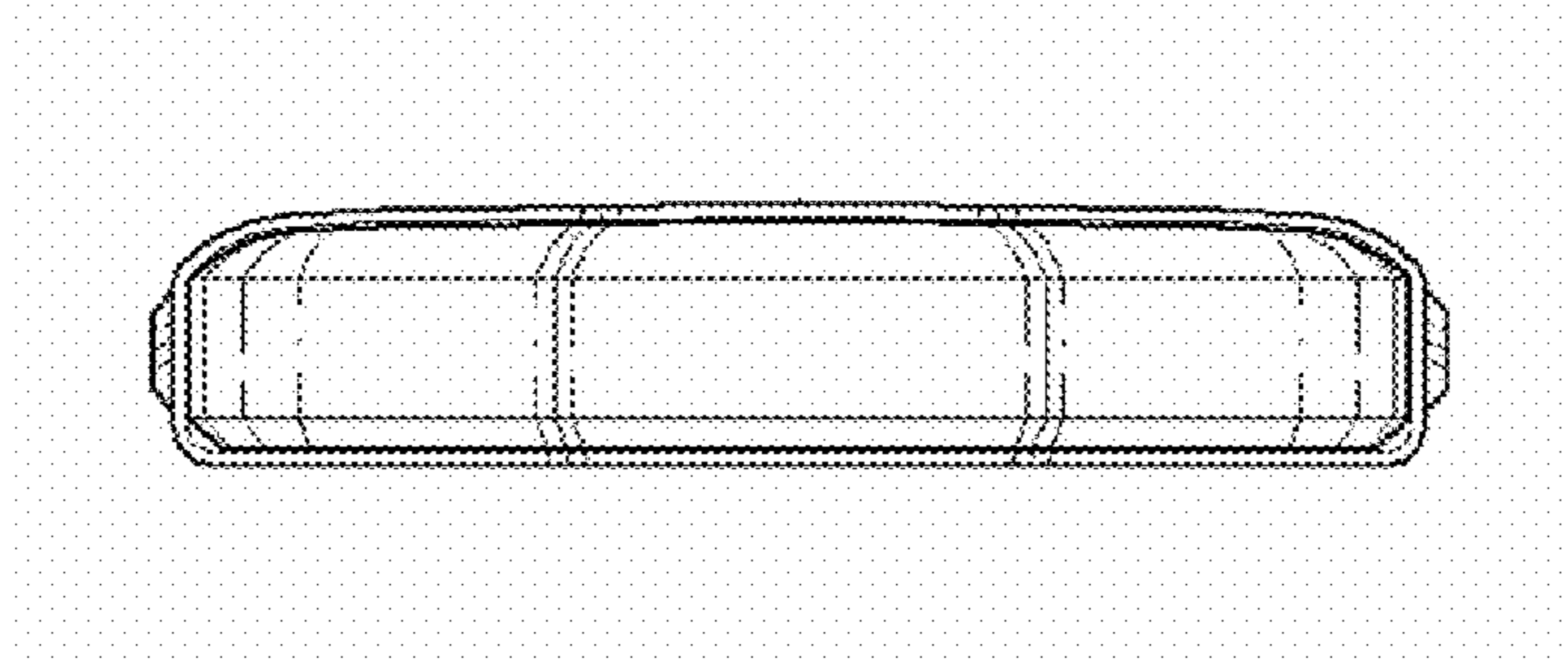


FIG. 7

