



US00D621378S

(12) **United States Design Patent**
Kim et al.

(10) **Patent No.:** **US D621,378 S**

(45) **Date of Patent:** **** Aug. 10, 2010**

(54) **MOBILE PHONE**

D601,539 S * 10/2009 Hong D14/138 G

(75) Inventors: **Tae-Ho Kim**, Yongin-si (KR);
Young-Keun Lee, Seoul (KR)

D601,988 S * 10/2009 Bang et al. D14/138 G

D601,993 S * 10/2009 Yun et al. D14/138 AD

(73) Assignee: **Saumsung Electronics Co., Ltd.**,
Suwon-Si (KR)

(Continued)

(**) Term: **14 Years**

OTHER PUBLICATIONS

(21) Appl. No.: **29/343,013**

LG KP502 Cookie, announced Jun. 2009, [online], [retrieved on Jul. 14, 2009]. Retrieved from Internet ,<URL: <http://www.gsmarena.com>>.*

(22) Filed: **Sep. 4, 2009**

(30) **Foreign Application Priority Data**

(Continued)

Jun. 2, 2009 (KR) 30-2009-0024060

Primary Examiner—Jeffrey D Asch

Assistant Examiner—Bridget L Eland

(51) **LOC (9) Cl.** **14-03**

(52) **U.S. Cl.** **D14/138 AD**

(74) *Attorney, Agent, or Firm*—Staas & Halsey LLP

(58) **Field of Classification Search** D14/138 R,
D14/138 AD, 138 AC, 138 C, 138 G, 191,
D14/203.1–203.8, 496, 138 AA, 138 AB,
D14/247–248, 137, 147, 218, 341–347; D10/65,
D10/78, 104; D13/168; D18/7; 455/566,
455/575.1, 575.3

(57) **CLAIM**

The ornamental design for a mobile phone, as shown and described.

See application file for complete search history.

DESCRIPTION

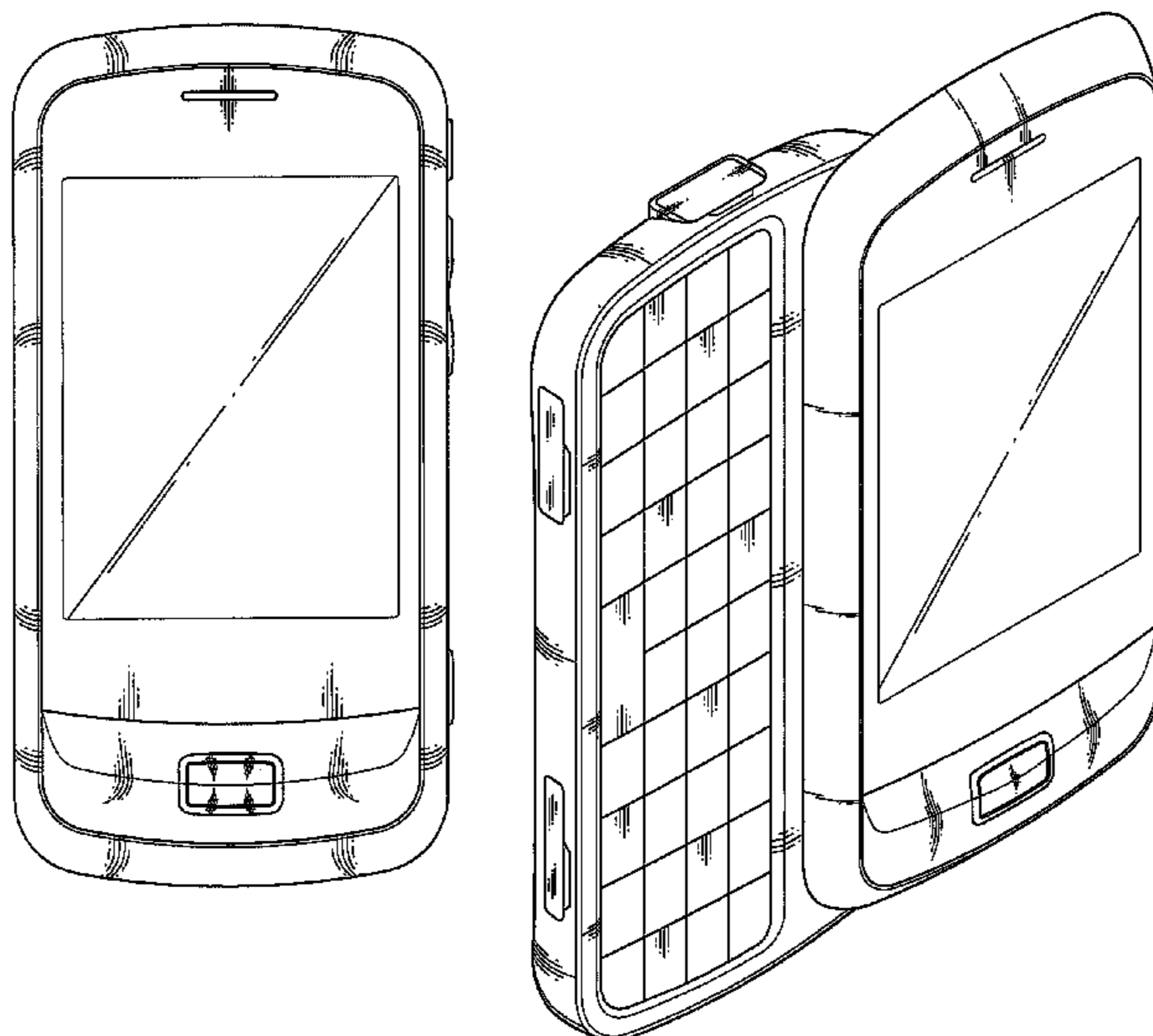
(56) **References Cited**

U.S. PATENT DOCUMENTS

- D519,998 S * 5/2006 Park D14/346
- D531,609 S * 11/2006 Kim et al. D14/138 AB
- D552,580 S * 10/2007 Mun D14/138 AD
- D553,596 S * 10/2007 Kim et al. D14/138 AD
- D560,193 S * 1/2008 Sung et al. D14/138 AD
- D563,933 S * 3/2008 Lee et al. D14/138 AB
- D568,286 S * 5/2008 Suk et al. D14/138 G
- D581,894 S * 12/2008 Kim D14/138 G
- D582,377 S * 12/2008 Kim et al. D14/138 AD
- D589,924 S * 4/2009 Jung et al. D14/138 AD
- D594,433 S * 6/2009 Seo et al. D14/138 AD
- D596,608 S * 7/2009 Kim et al. D14/138 G
- D597,988 S * 8/2009 Agin et al. D14/138 G

FIG. 1 is a front perspective view of a mobile phone;
FIG. 2 is a front view of the mobile phone of FIG. 1;
FIG. 3 is a rear view of the mobile phone of FIG. 1;
FIG. 4 is a left-side view of the mobile phone of FIG. 1;
FIG. 5 is a right-side view of the mobile phone of FIG. 1;
FIG. 6 is a top plan view of the mobile phone of FIG. 1; and
FIG. 7 is a bottom plan view of the mobile phone of FIG. 1;
and,
FIG. 8 is a front perspective open view of the mobile phone of FIG. 1.

1 Claim, 5 Drawing Sheets



US D621,378 S

Page 2

U.S. PATENT DOCUMENTS

D603,356 S * 11/2009 Sterzick et al. D14/138 G
D607,865 S * 1/2010 Lee et al. D14/138 AD
D608,331 S * 1/2010 Kim et al. D14/138 AC
2006/0166713 A1 * 7/2006 Yeh et al. 455/575.1
2007/0218963 A1 * 9/2007 Kim 455/575.4
2008/0076480 A1 * 3/2008 Jeong et al. 455/566
2008/0096616 A1 * 4/2008 Choi 455/575.1
2008/0176607 A1 * 7/2008 Jin et al. 455/566
2009/0061947 A1 * 3/2009 Park et al. 455/566

2009/0117944 A1* 5/2009 Lee et al. 455/566

OTHER PUBLICATIONS

LG Xenon, announced Mar. 2009, [online], [retrieved on Apr. 16, 2009]. Retrieved from Internet ,<URL: <http://www.gsmarena.com>>.*

Samsung B7620 Giorgio Armani, announced Oct. 2009, [online], [retrieved on Oct. 28, 2009]. Retrieved from Internet ,<URL: <http://www.gsmarena.com>>.*

* cited by examiner

FIG. 1

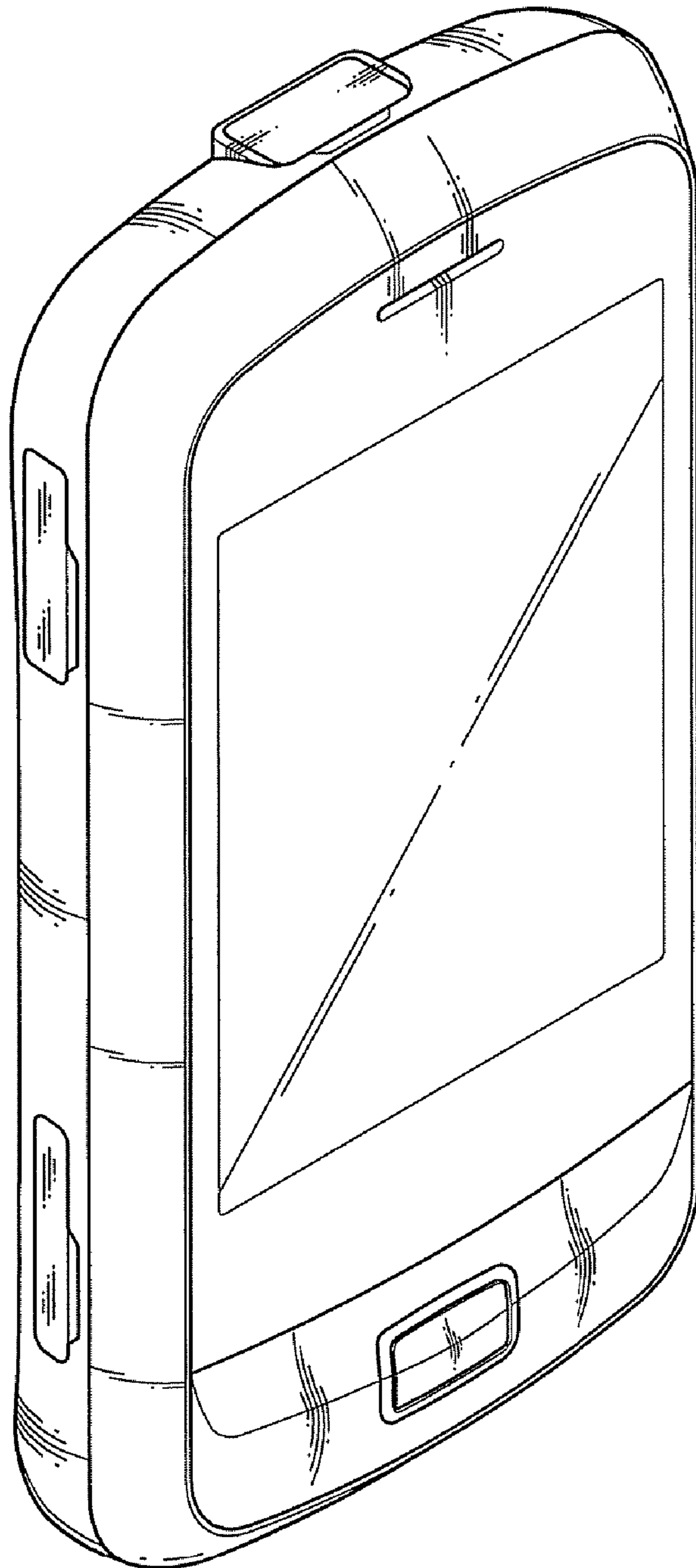


FIG. 2

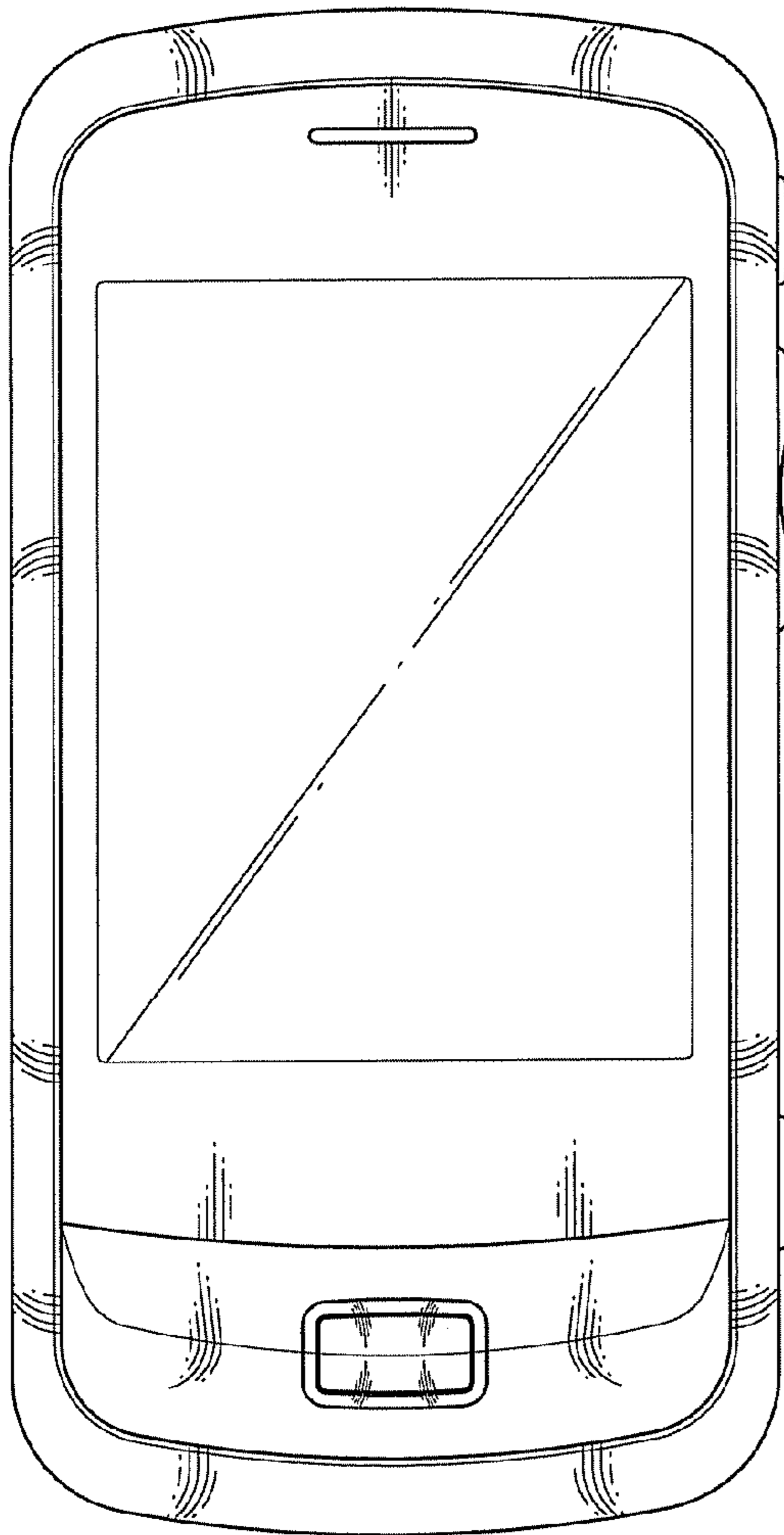


FIG. 3

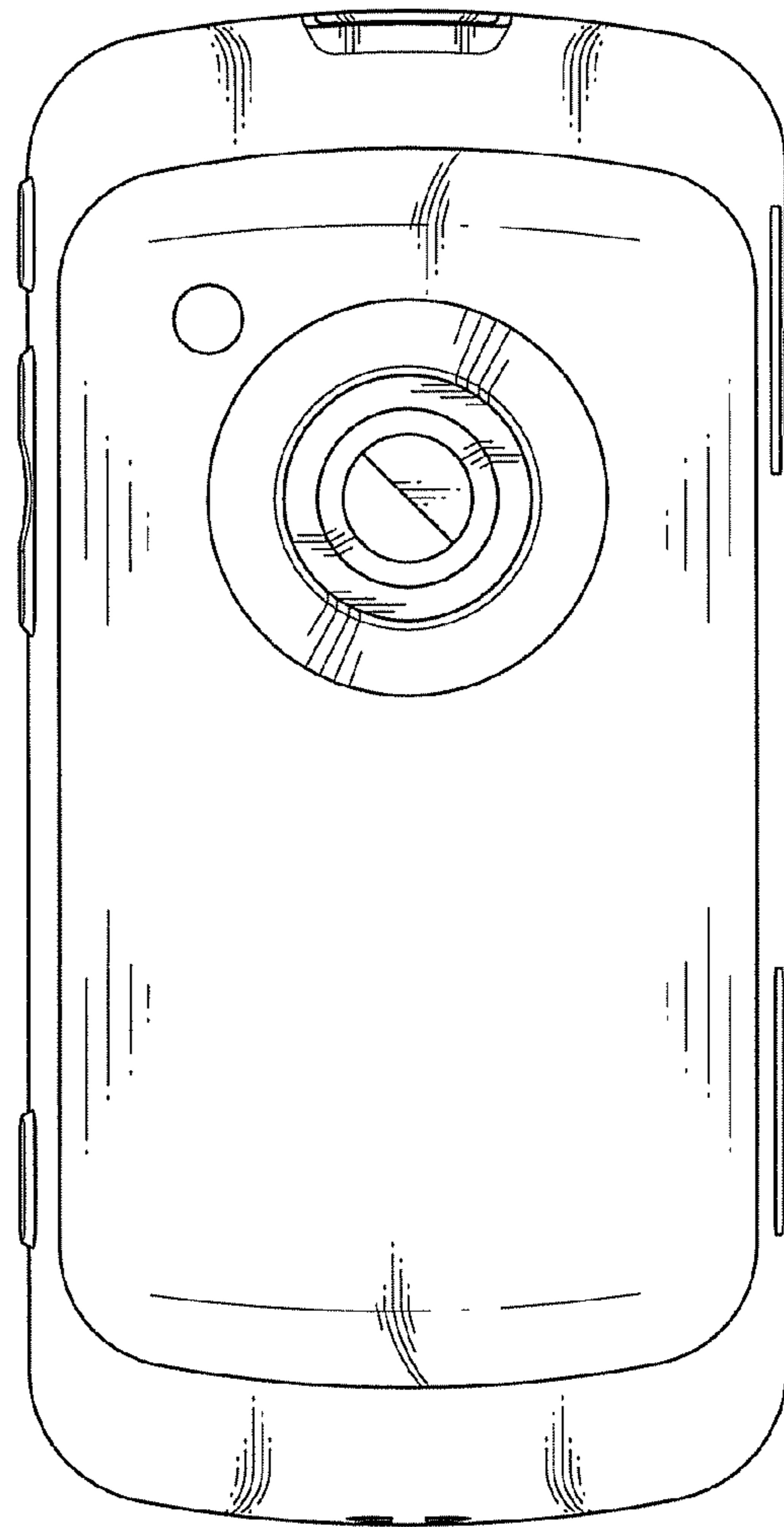


FIG. 4

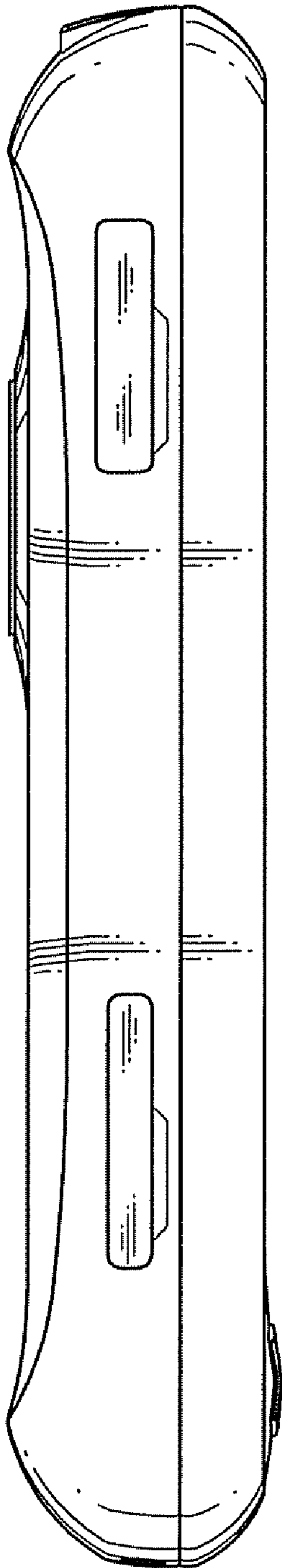


FIG. 5

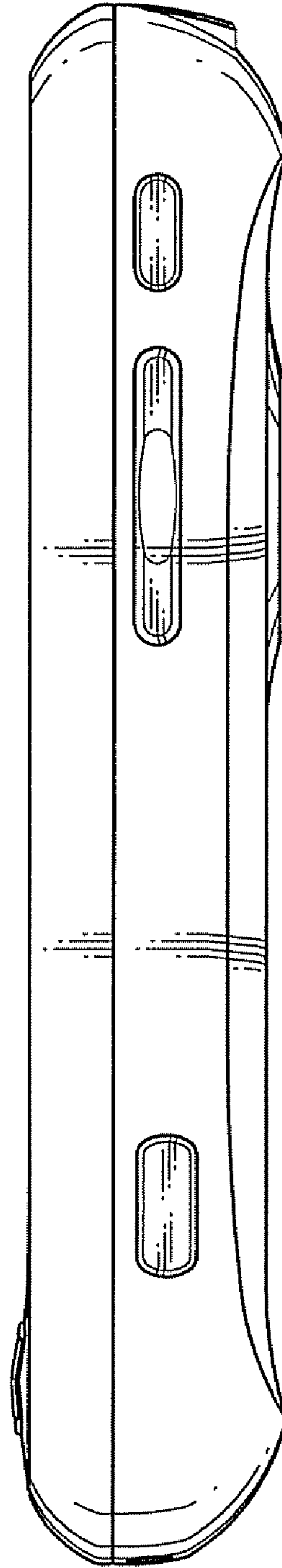


FIG. 6

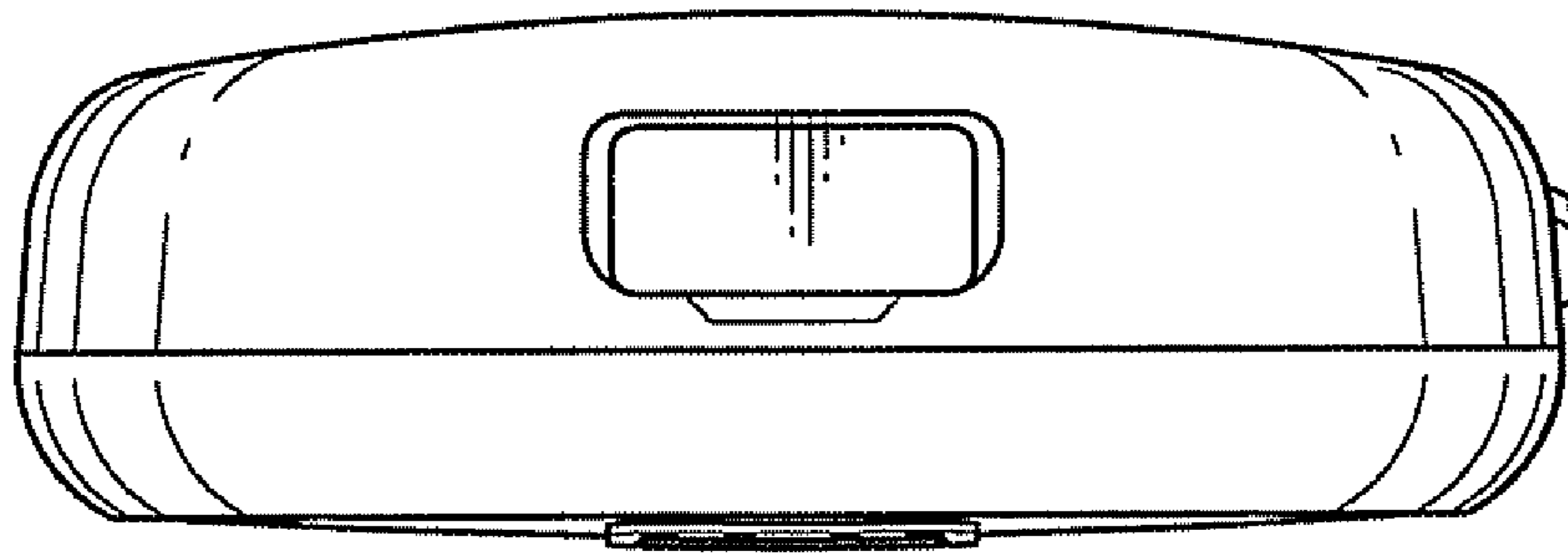


FIG. 7

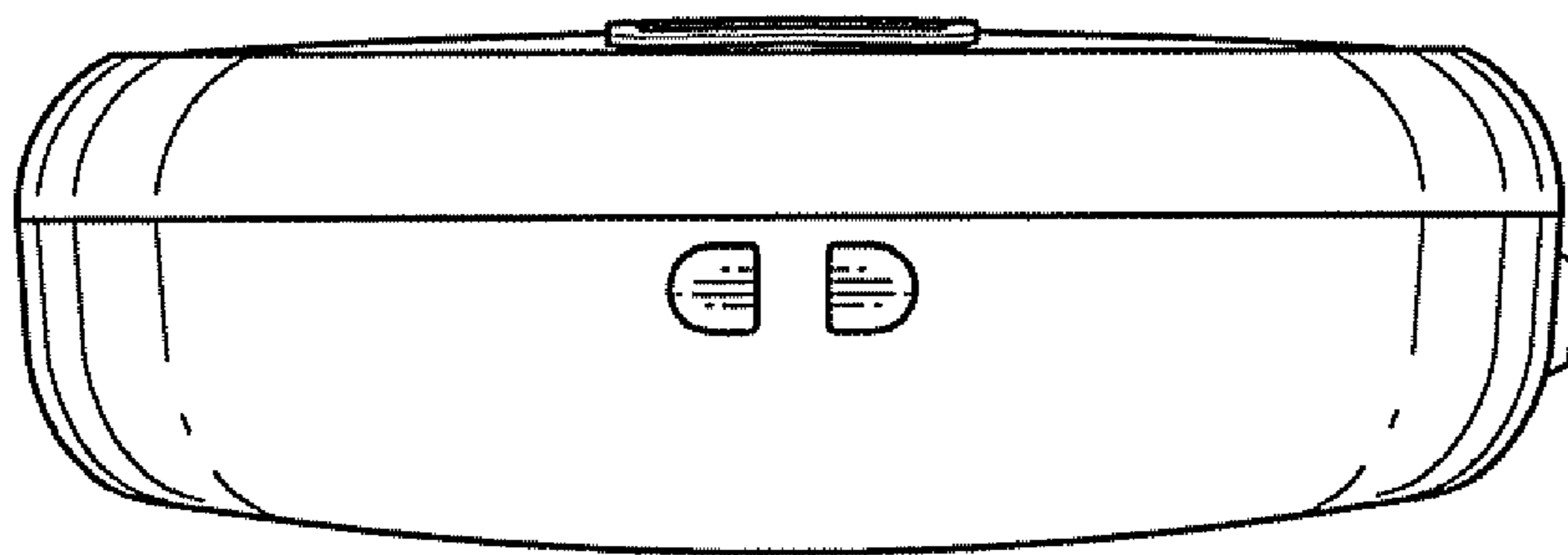


FIG. 8

