

US00D621375S

(12) **United States Design Patent**
Nagase

(10) **Patent No.:** **US D621,375 S**

(45) **Date of Patent:** **** Aug. 10, 2010**

(54) **TELEVISION RECEIVER**

(75) Inventor: **Koji Nagase**, Tokyo (JP)

(73) Assignee: **Kabushiki Kaisha Toshiba** (JP)

(**) Term: **14 Years**

(21) Appl. No.: **29/354,860**

(22) Filed: **Jan. 29, 2010**

(30) **Foreign Application Priority Data**

Nov. 30, 2009 (JP) 2009-027925

(51) **LOC (9) Cl.** **14-03**

(52) **U.S. Cl.** **D14/126**

(58) **Field of Classification Search** D14/125-134,
D14/239, 371, 136, 374-377, 440, 450, 448,
D14/336, 342; 312/7.2; 348/836, 838, 180,
348/184, 325, 739; 341/12; 248/917-924,
248/465; 345/104, 133, 156, 168, 87, 173;
720/605, 669, 600, 655; 369/99, 197; 455/344-347;
D21/329, 515, 577, 622, 333, 433, 448, 452,
D21/450, 331; D6/477, 479, 300; 273/148 B;
446/484, 175, 356; D10/15, 26
See application file for complete search history.

(56) **References Cited**

U.S. PATENT DOCUMENTS

D498,217 S * 11/2004 Kim et al. D14/126
D535,265 S * 1/2007 Inoue D14/126

D552,569 S * 10/2007 Kita D14/126
D573,117 S * 7/2008 Niitsu D14/126
D596,596 S * 7/2009 Honda D14/126

FOREIGN PATENT DOCUMENTS

JP D1125234 11/2001
JP D1246675 8/2005

* cited by examiner

Primary Examiner—Raphael Barkai
(74) *Attorney, Agent, or Firm*—Banner & Witcoff, Ltd.

(57) **CLAIM**

The ornamental design for a television receiver, as shown and described.

DESCRIPTION

FIG. 1 is a front perspective view of a television receiver showing my new design,

FIG. 2 is a front elevational view thereof,

FIG. 3 is a rear elevational view thereof,

FIG. 4 is a top plan view thereof,

FIG. 5 is a bottom plan view thereof,

FIG. 6 is a right side elevational view thereof, a left side elevational view being a mirror image thereof; and,

FIG. 7 is a rear perspective view thereof.

1 Claim, 4 Drawing Sheets

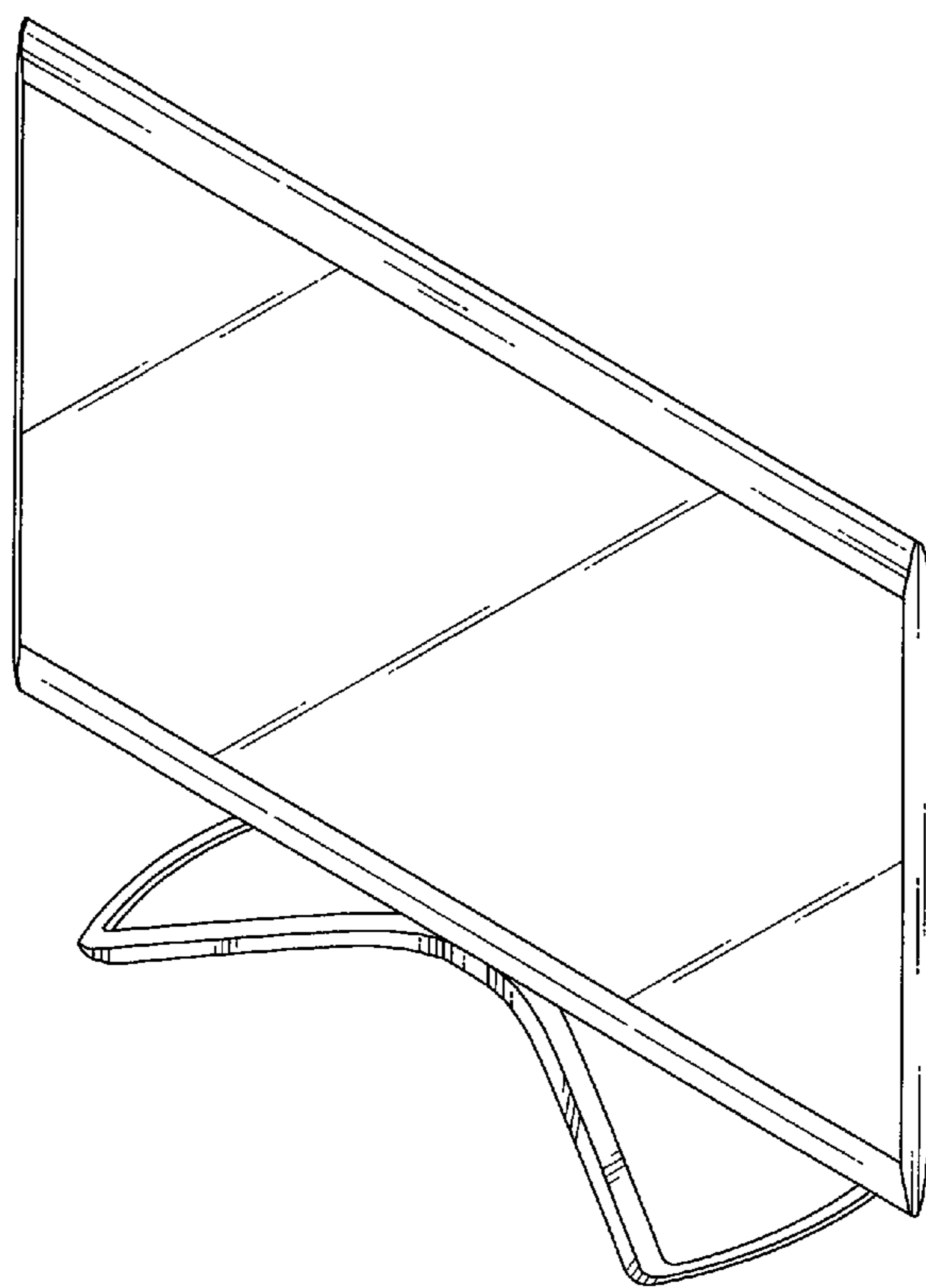


FIG. 1

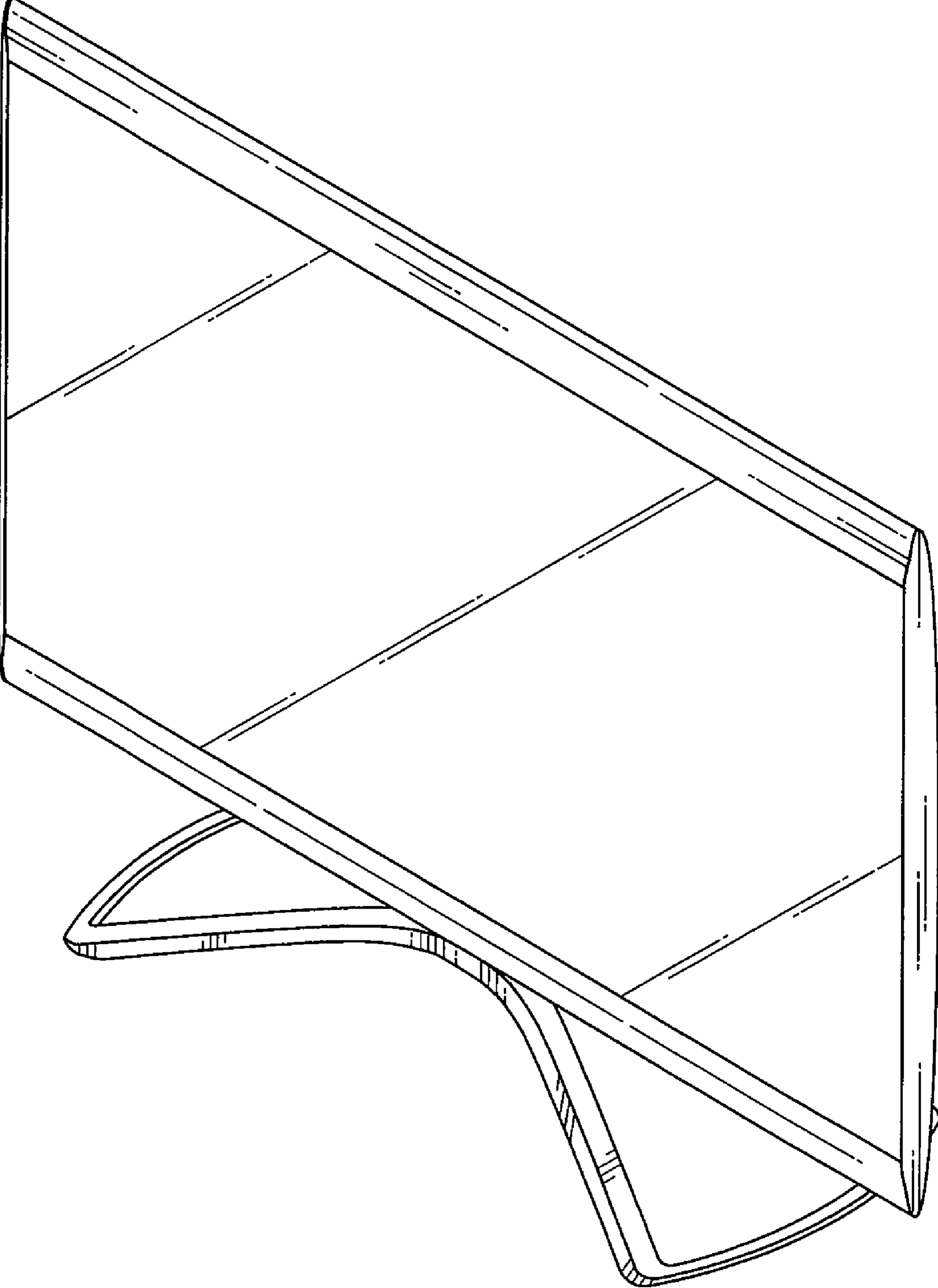


FIG.2

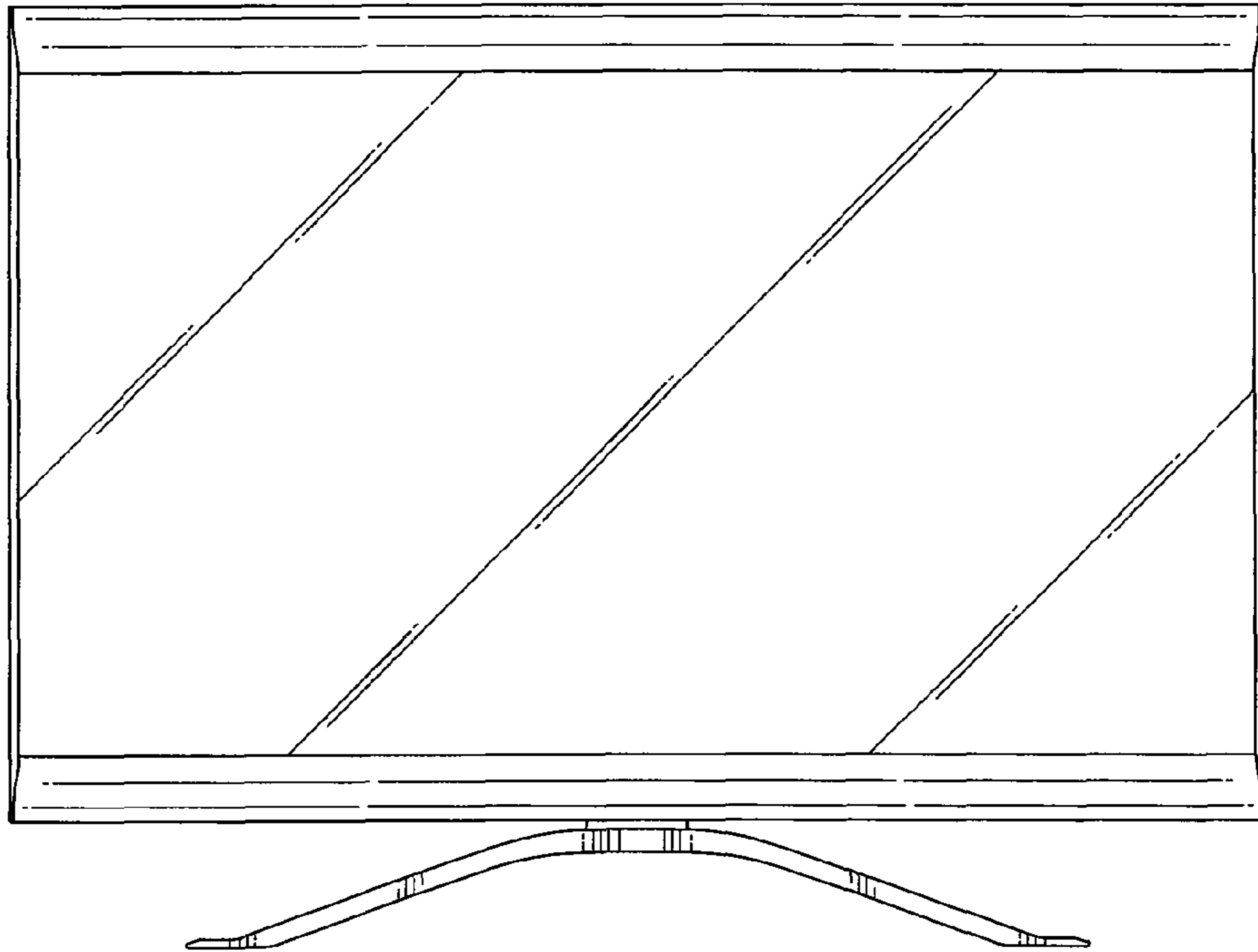


FIG.3

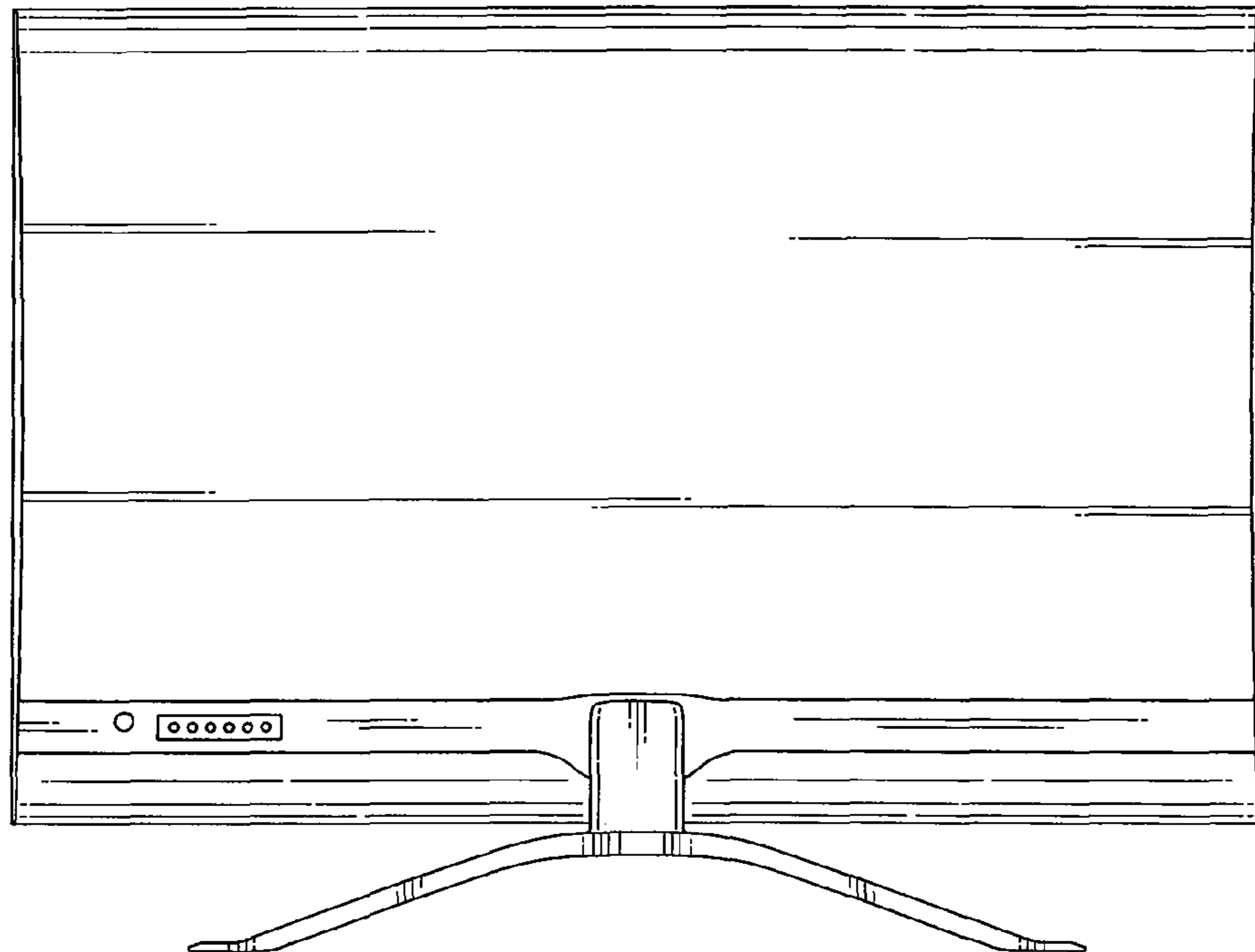


FIG.4

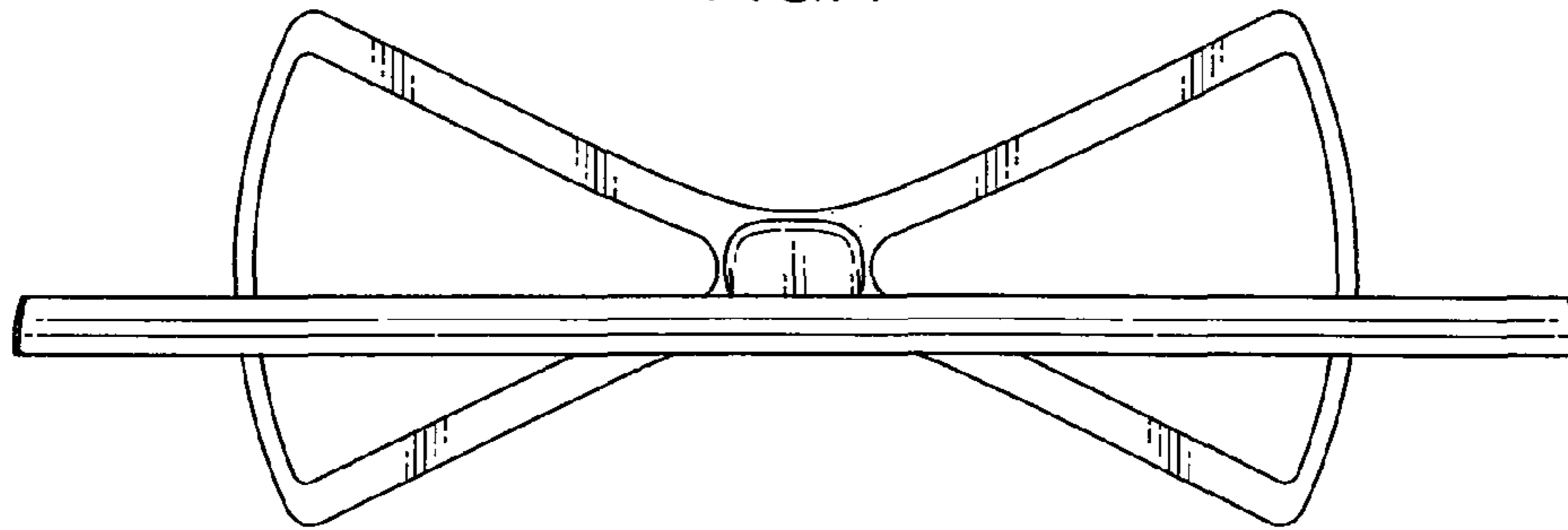


FIG.5

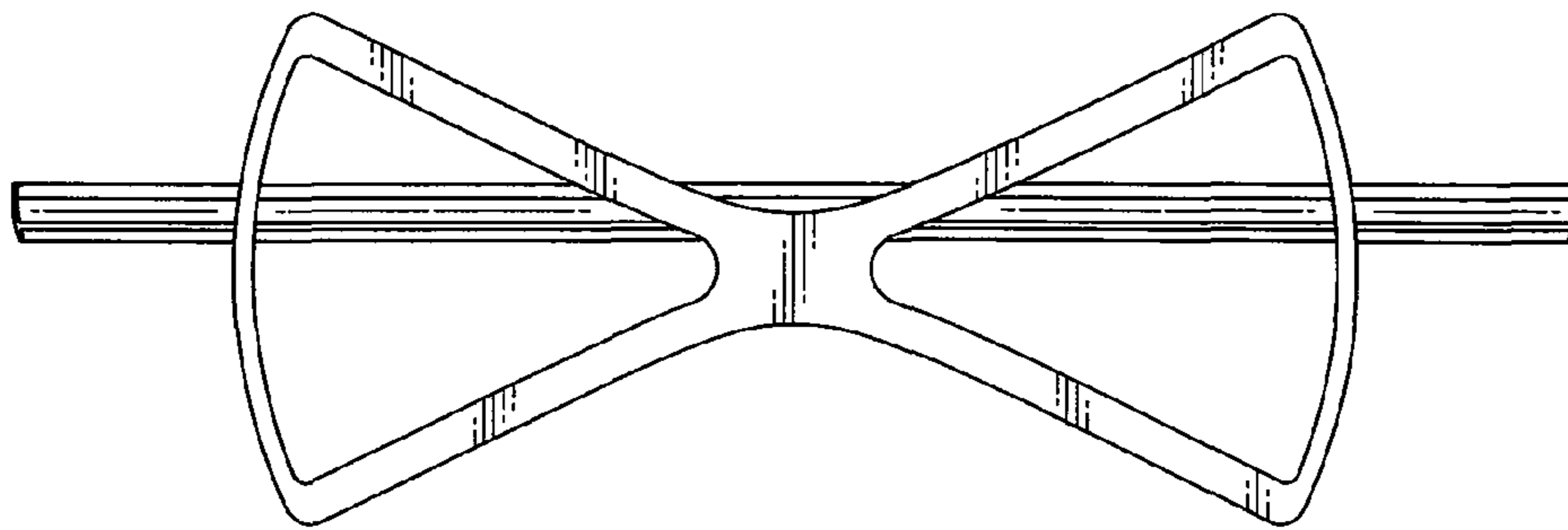


FIG.6

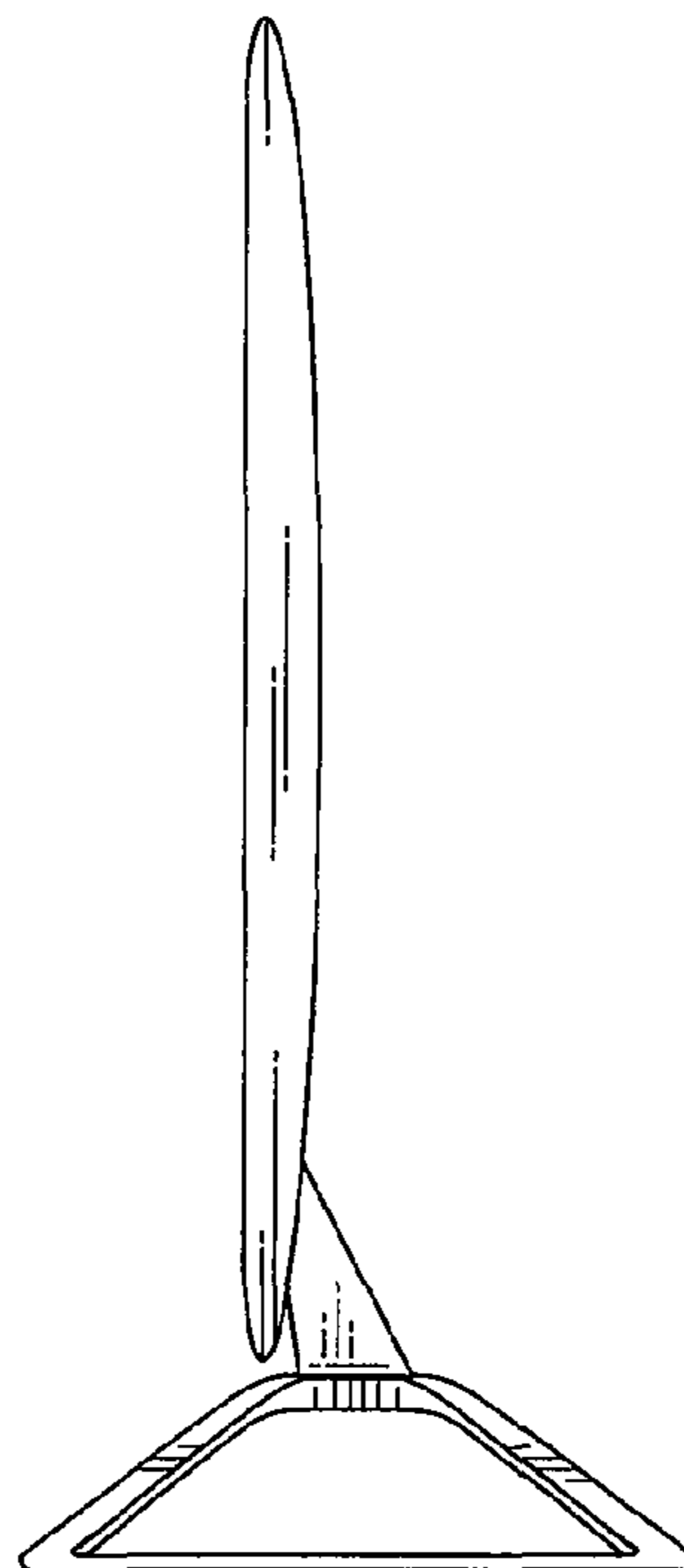


FIG. 7

