



US00D621371S

(12) **United States Design Patent**
Sheppard et al.

(10) **Patent No.:** **US D621,371 S**

(45) **Date of Patent:** **** Aug. 10, 2010**

(54) **REMOTE CONTROL**

(75) Inventors: **Nasahn Adam Sheppard**, Mill Valley, CA (US); **Heinz Dominik Langhammer**, San Francisco, CA (US); **Maarten Dinger**, San Francisco, CA (US); **Peter Michaelian**, Tappan, NY (US); **Angelo Luis Leme Santiago**, San Francisco, CA (US); **Jonathan Kaplan**, San Francisco, CA (US); **John Furlan**, Belmont, CA (US); **Simon Fleming-Wood**, Oakland, CA (US)

(73) Assignee: **Cisco Technology, Inc.**, San Jose, CA (US)

(**) Term: **14 Years**

(21) Appl. No.: **29/350,066**

(22) Filed: **Nov. 10, 2009**

(51) **LOC (9) Cl.** **14-03**

(52) **U.S. Cl.** **D13/168**

(58) **Field of Classification Search** D13/168;
D10/104, 106; D14/203.3, 218, 247; 340/825.22,
340/825.24, 825.25, 825.31, 825.36, 825.69,
340/825.72; 341/176; 455/352; 345/156
See application file for complete search history.

(56) **References Cited**

U.S. PATENT DOCUMENTS

D534,921 S * 1/2007 Andre et al. D14/203.3

D548,195 S * 8/2007 Poulet D13/168
D556,154 S * 11/2007 Poulet et al. D13/168
D568,827 S * 5/2008 Ikeda et al. D13/168
D571,305 S * 6/2008 Thursfield D13/168
D595,669 S * 7/2009 Endo et al. D13/168
D604,713 S * 11/2009 Andre et al. D14/203.3
D604,723 S * 11/2009 Bodley et al. D14/225
2008/0071935 A1 3/2008 Ohta

* cited by examiner

Primary Examiner—Selina Sikder

(74) *Attorney, Agent, or Firm*—Patterson & Sheridan, LLP

(57) **CLAIM**

The ornamental design for a remote control, as shown and described.

DESCRIPTION

FIG. 1 is a front perspective view of a remote control showing our new design;

FIG. 2 is a rear perspective view thereof;

FIG. 3 is a top view thereof;

FIG. 4 is a front view thereof;

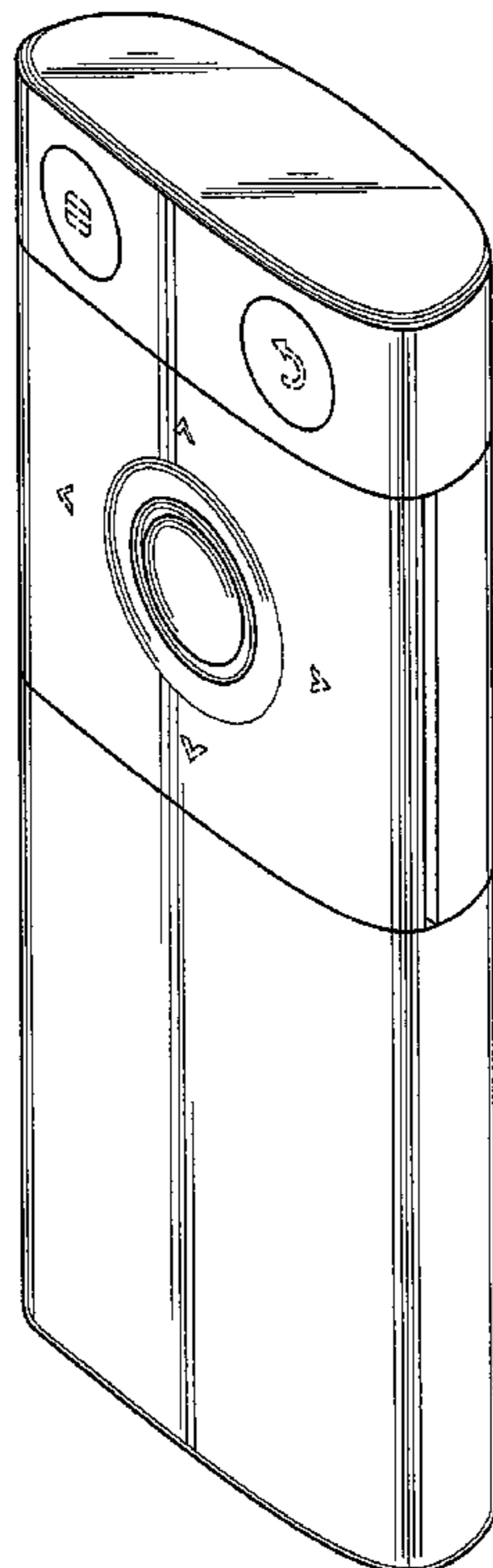
FIG. 5 is a bottom view thereof;

FIG. 6 is a left side view thereof, the right side view being identical; and,

FIG. 7 is a rear view thereof.

The broken lines shown in the drawings are for illustrative purposes only and form no part of the claimed invention.

1 Claim, 4 Drawing Sheets



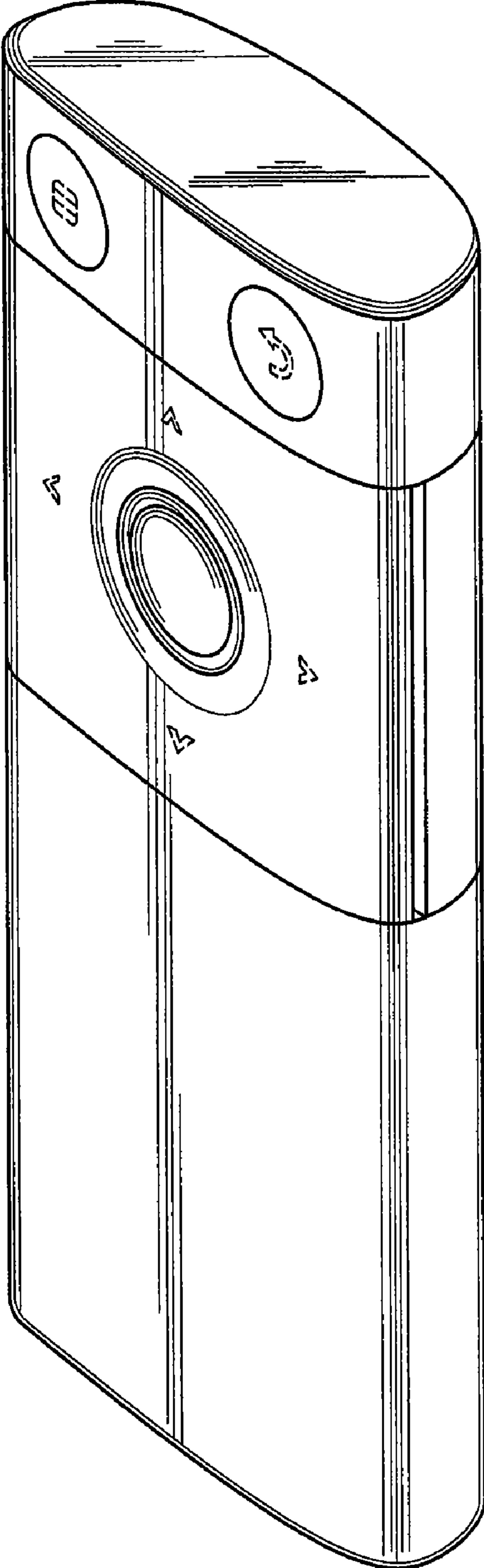


FIG. 1

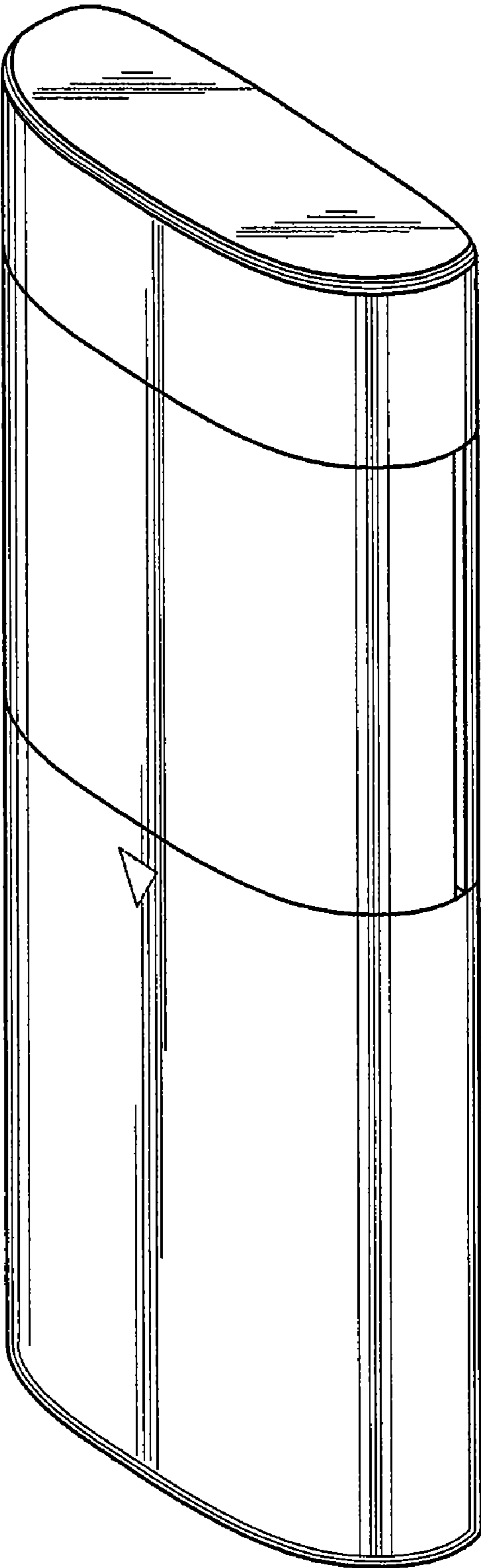


FIG.2

FIG.3

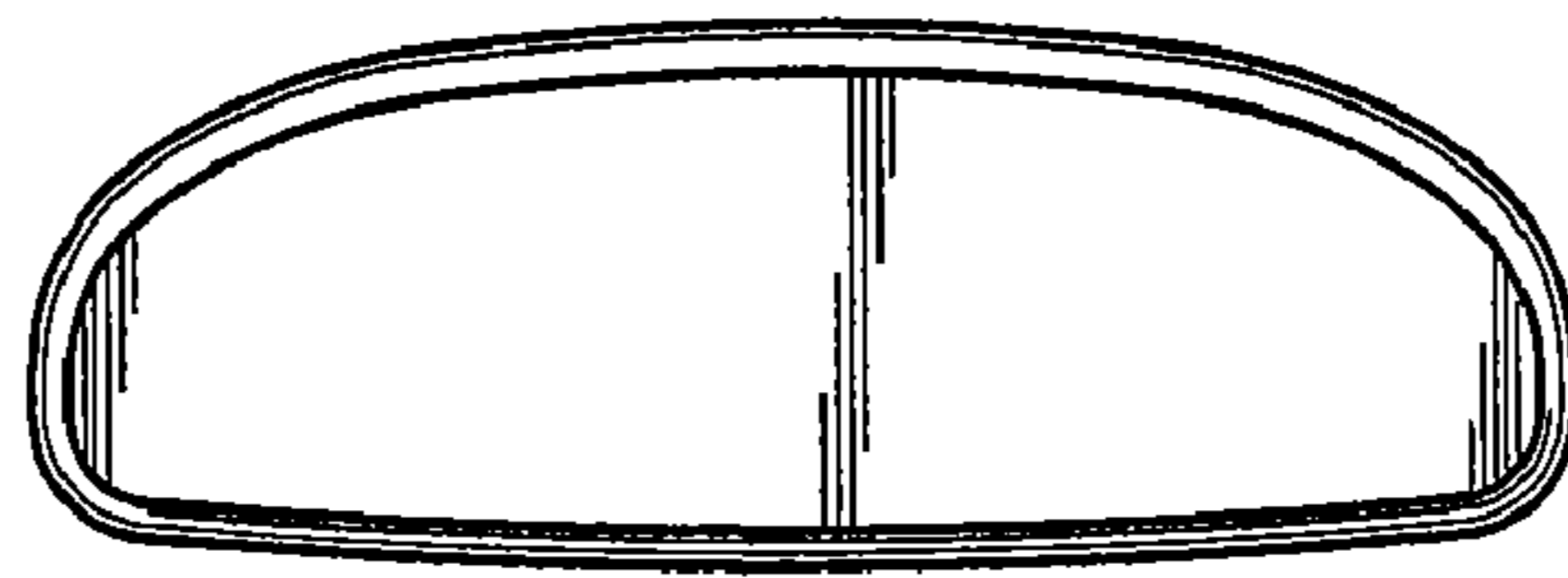


FIG.4

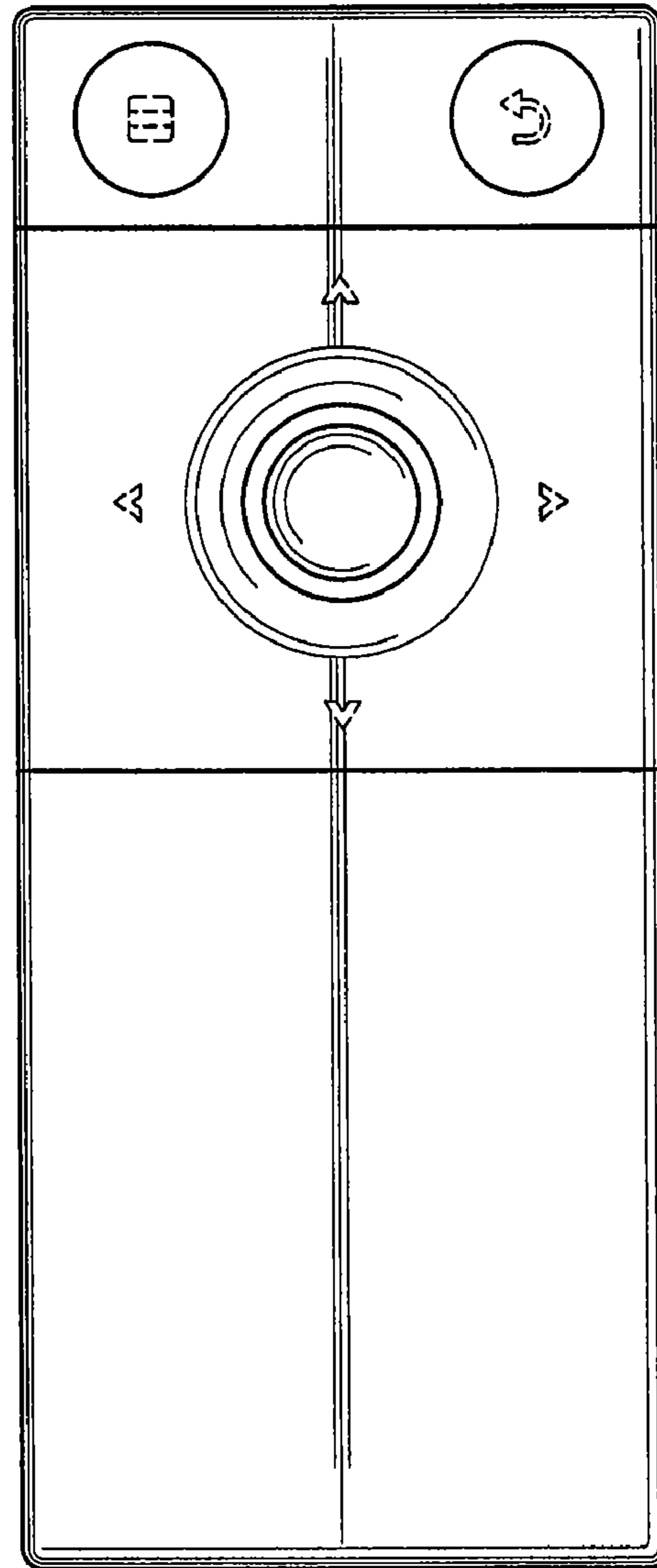
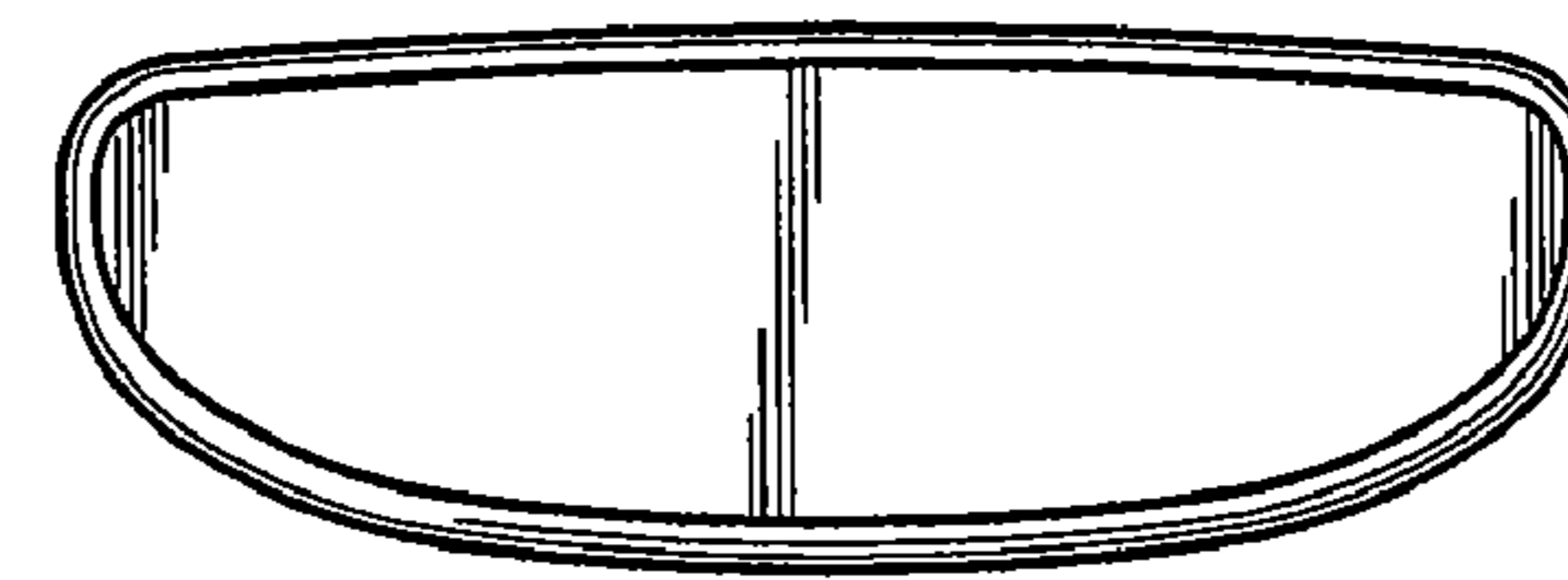


FIG.5



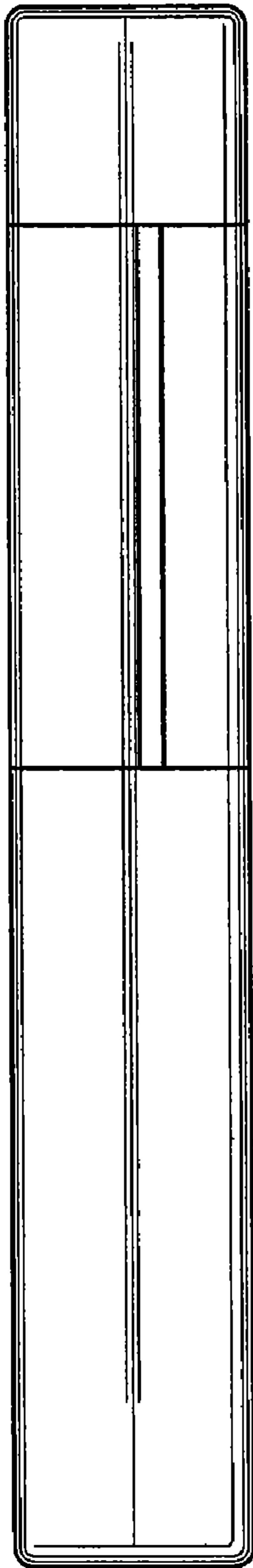


FIG. 6

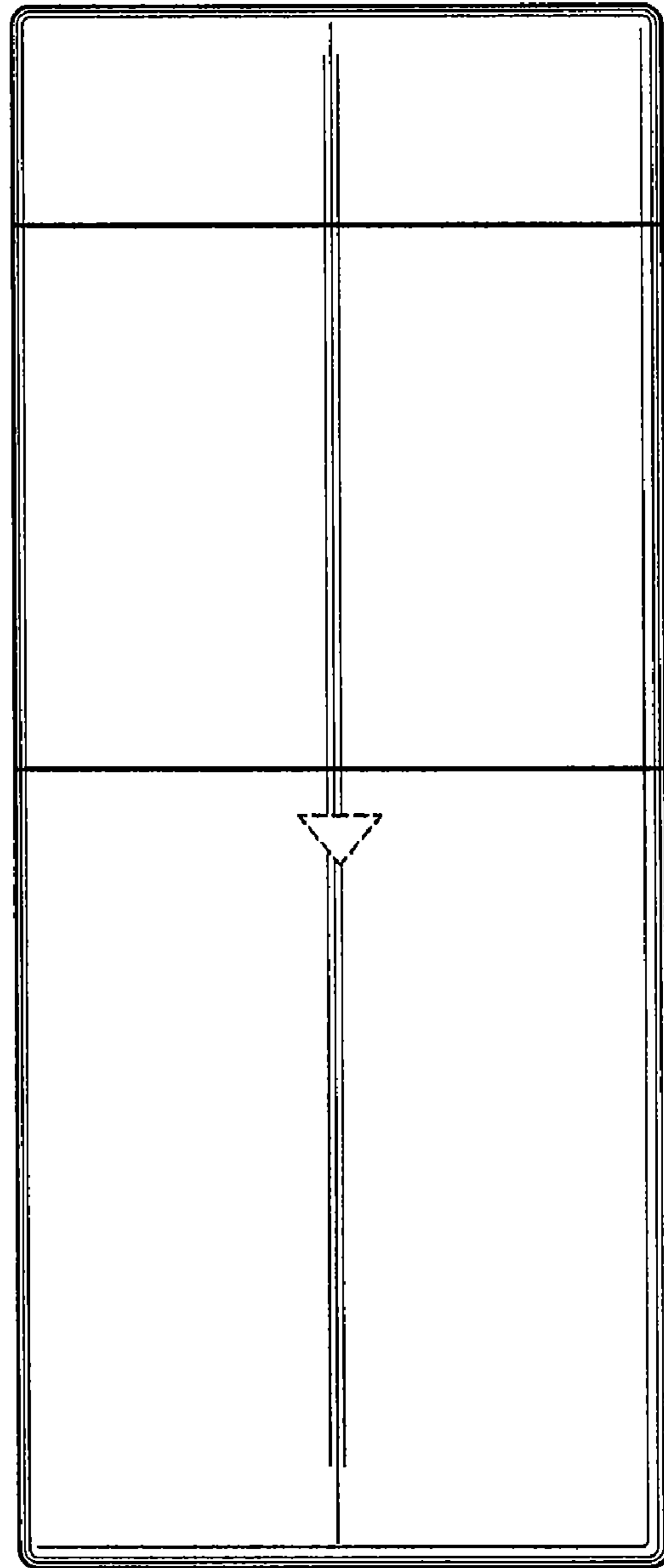


FIG. 7