



US00D621369S

(12) **United States Design Patent**
Lin

(10) **Patent No.:** **US D621,369 S**

(45) **Date of Patent:** **** Aug. 10, 2010**

(54) **AC CONTACTOR**

(75) Inventor: **Xiaomin Lin**, Zhejiang Province (CN)

(73) Assignee: **Zhe Jiang Zhengjie Industry Electric Co., Ltd**, Yueqing, Zhejiang Province (CN)

(**) Term: **14 Years**

(21) Appl. No.: **29/292,792**

(22) Filed: **Oct. 29, 2007**

(30) **Foreign Application Priority Data**

Apr. 29, 2007 (CN) 2007 3 0033389

(51) **LOC (9) Cl.** **13-03**

(52) **U.S. Cl.** **D13/159**

(58) **Field of Classification Search** D13/123,
D13/158, 159, 160, 162, 162.1, 164, 184;
200/280, 303, 293, 294, 297; 331/131, 132,
331/133, 202, 196, 262, 251

See application file for complete search history.

(56) **References Cited**

U.S. PATENT DOCUMENTS

D325,566 S * 4/1992 Bouteiller D13/159

D479,204 S * 9/2003 Nurdogan D13/159

D481,362 S * 10/2003 Nurdogan D13/159
2002/0192990 A1 * 12/2002 Alexandre 439/135

* cited by examiner

Primary Examiner—Daniel D Bui

Assistant Examiner—Thomas J Johannes

(74) *Attorney, Agent, or Firm*—Birch, Stewart, Kolasch & Birch, LLP

(57) **CLAIM**

The ornamental design for the AC contactor, as shown and described.

DESCRIPTION

FIG. 1 is a left side view of an AC contactor showing my new design;

FIG. 2 is a right side view thereof;

FIG. 3 is a rear elevational view thereof;

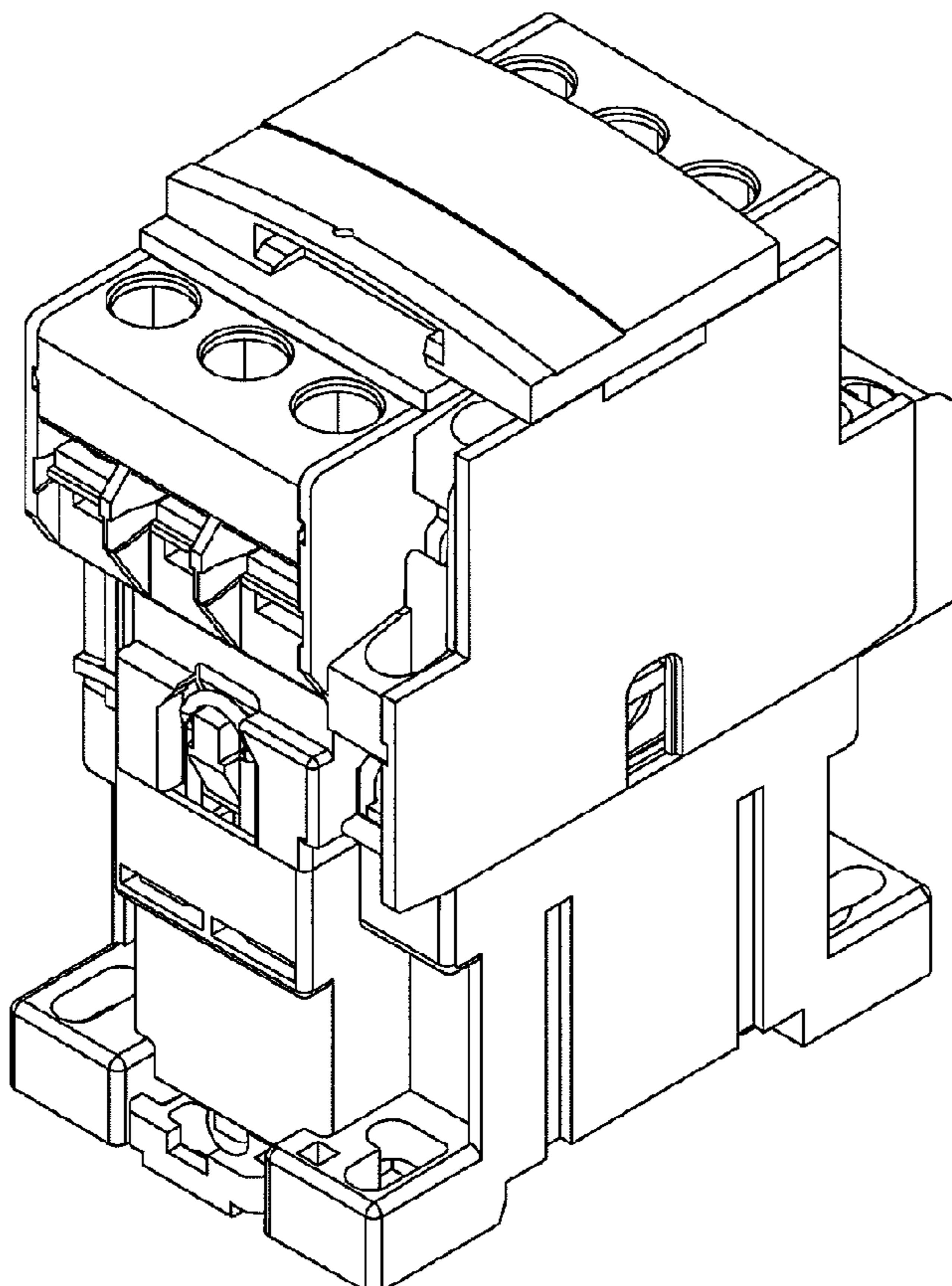
FIG. 4 is a front elevational view thereof;

FIG. 5 is a bottom view thereof; and,

FIG. 6 is a perspective view thereof.

The broken line portion of the figure drawings is included to show unclaimed subject matter only and forms no part of the claimed design.

1 Claim, 6 Drawing Sheets



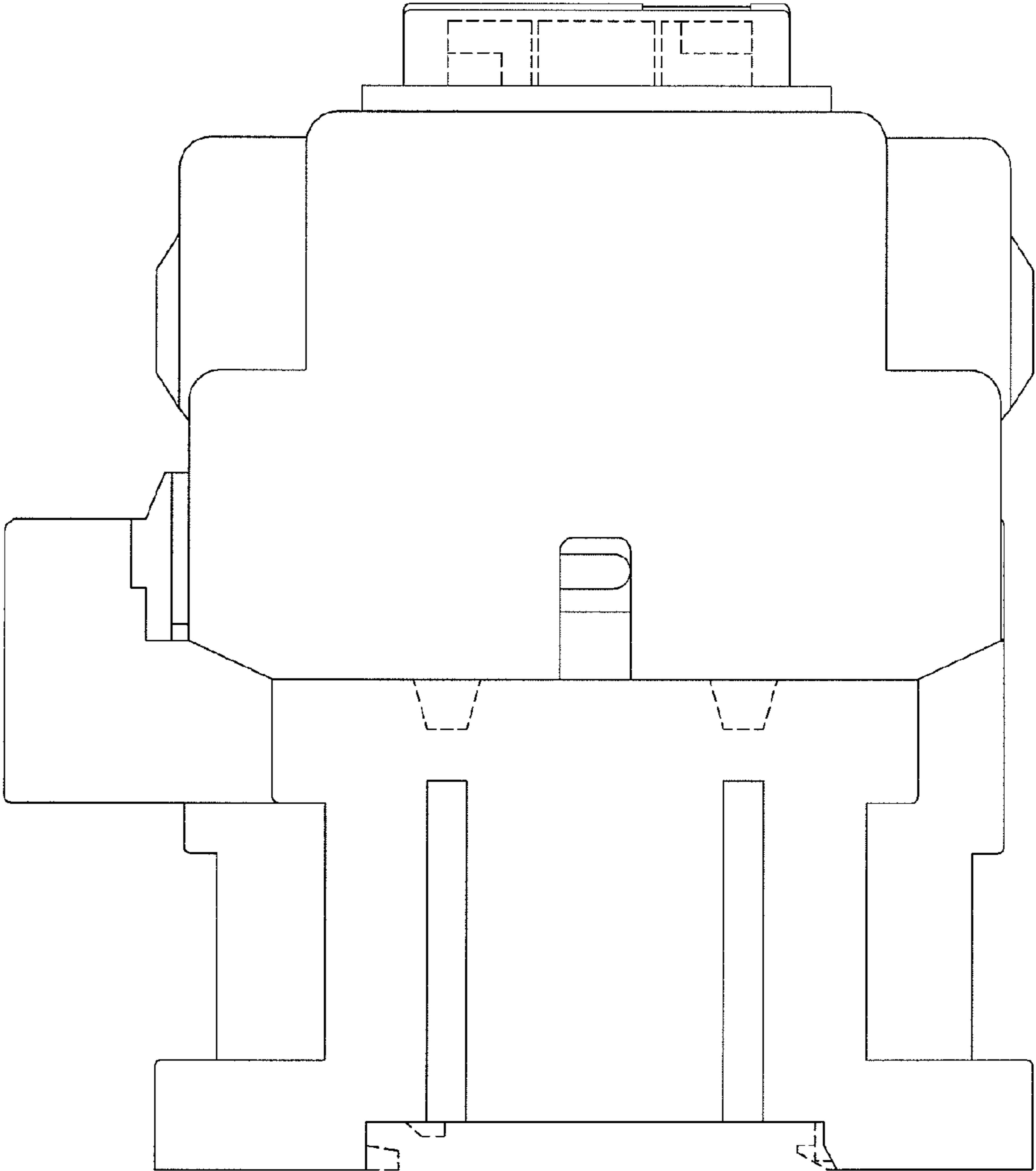


FIG.1

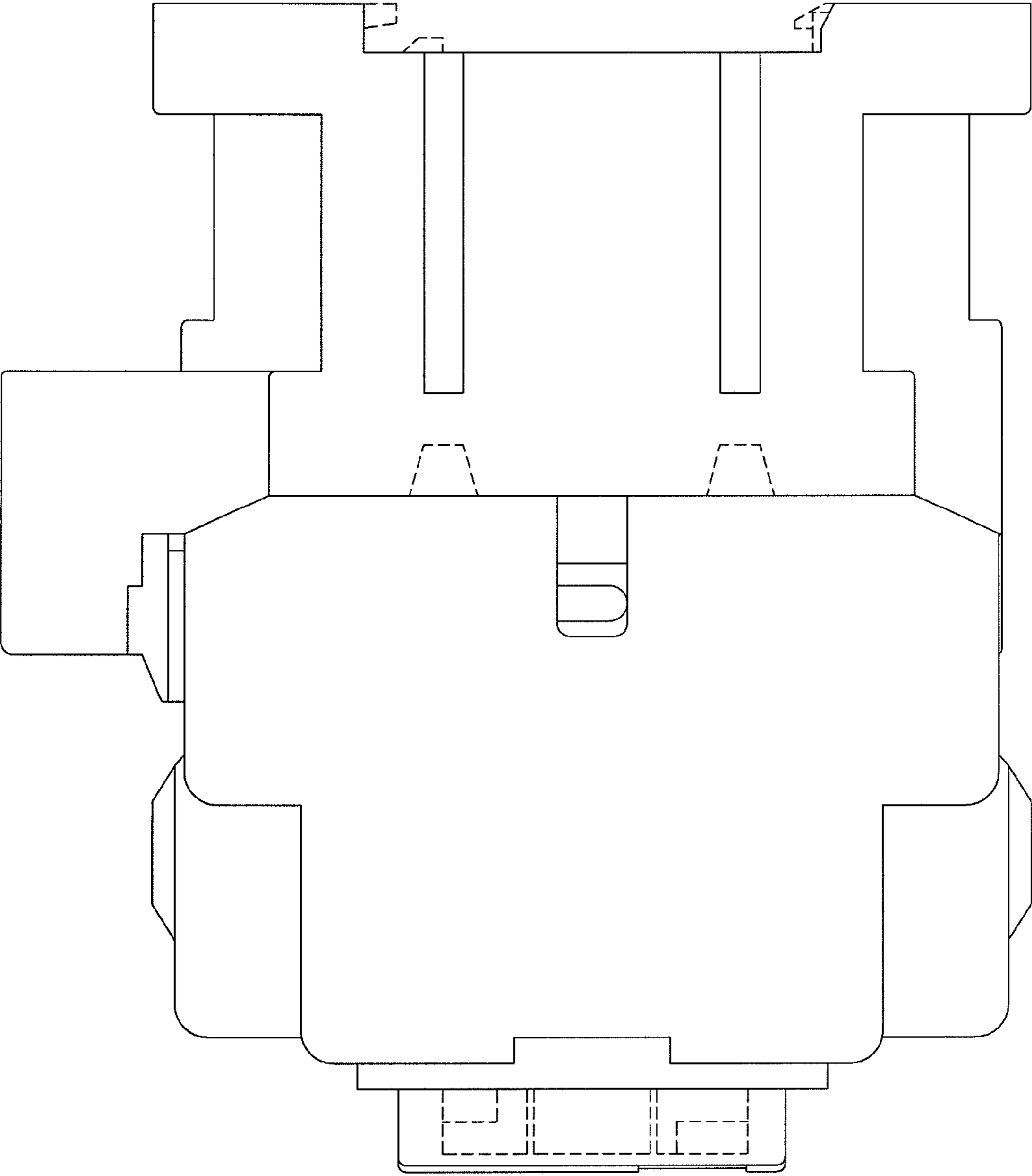


FIG. 2

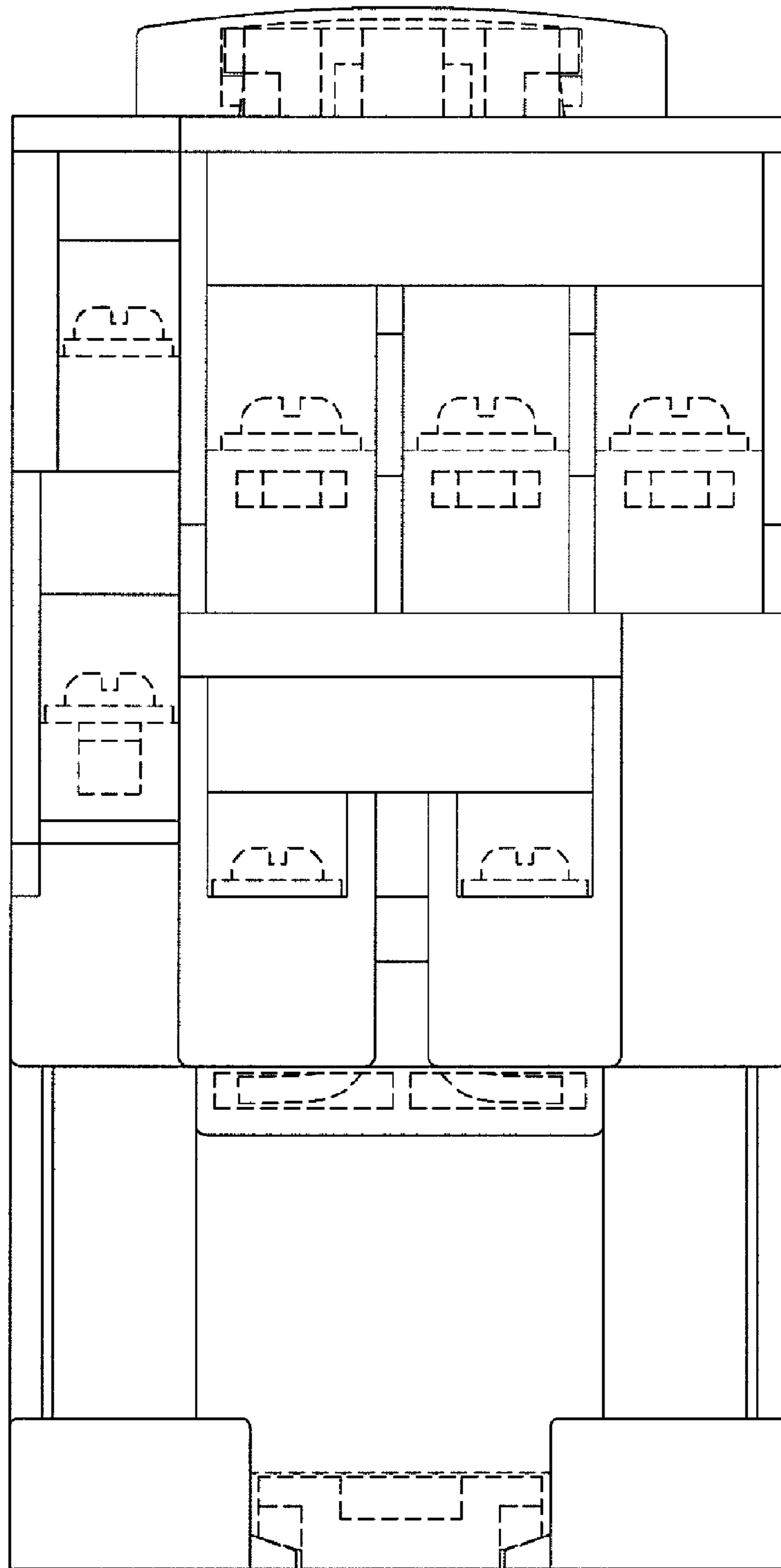


FIG.3

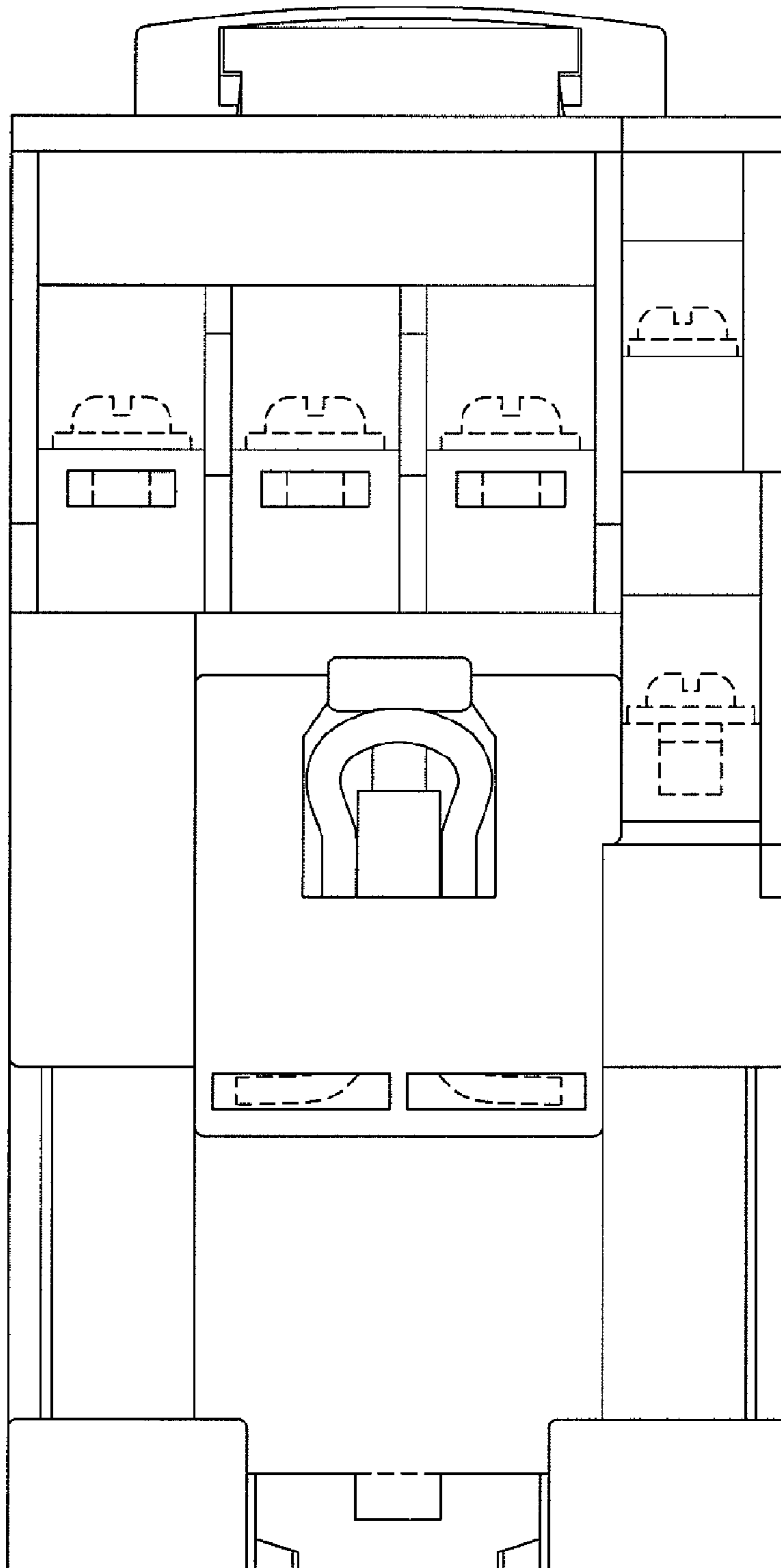


FIG.4

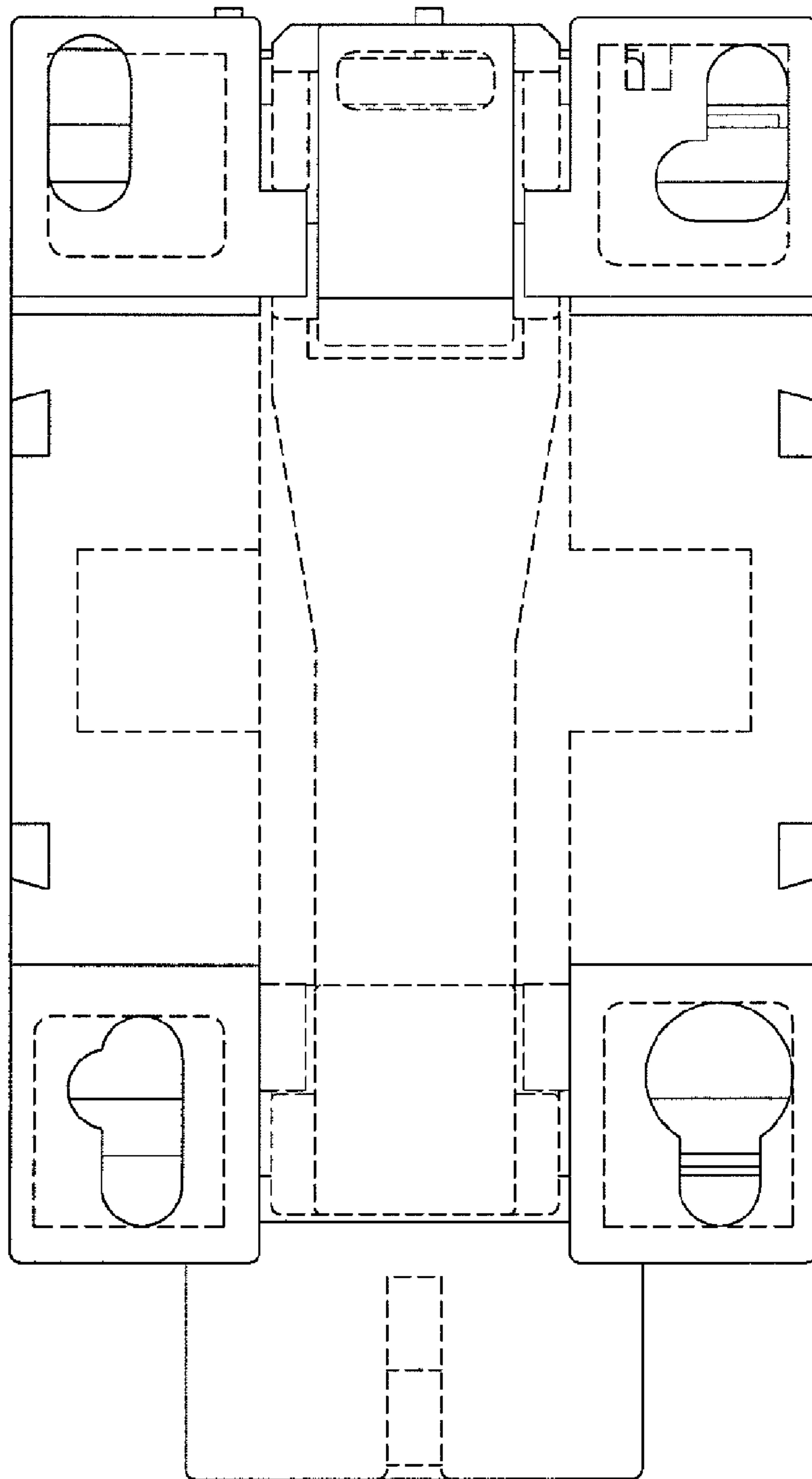


FIG. 5

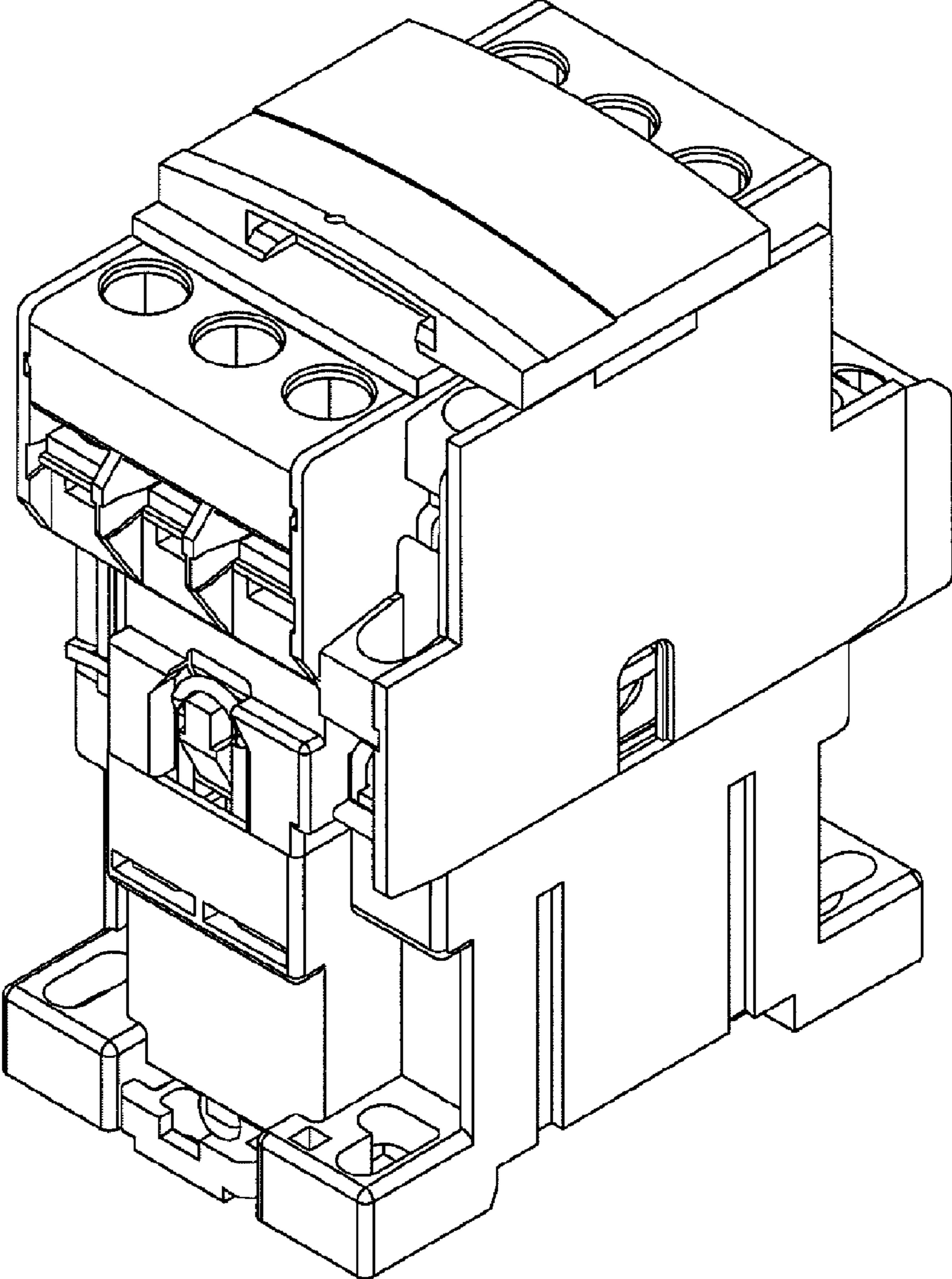


FIG.6